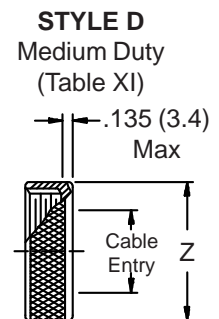
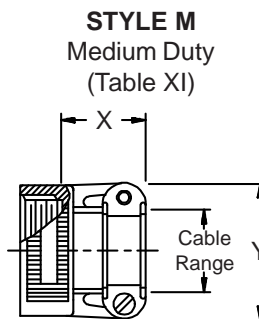
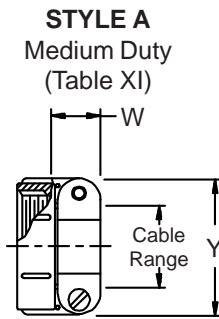
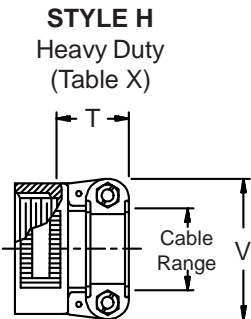
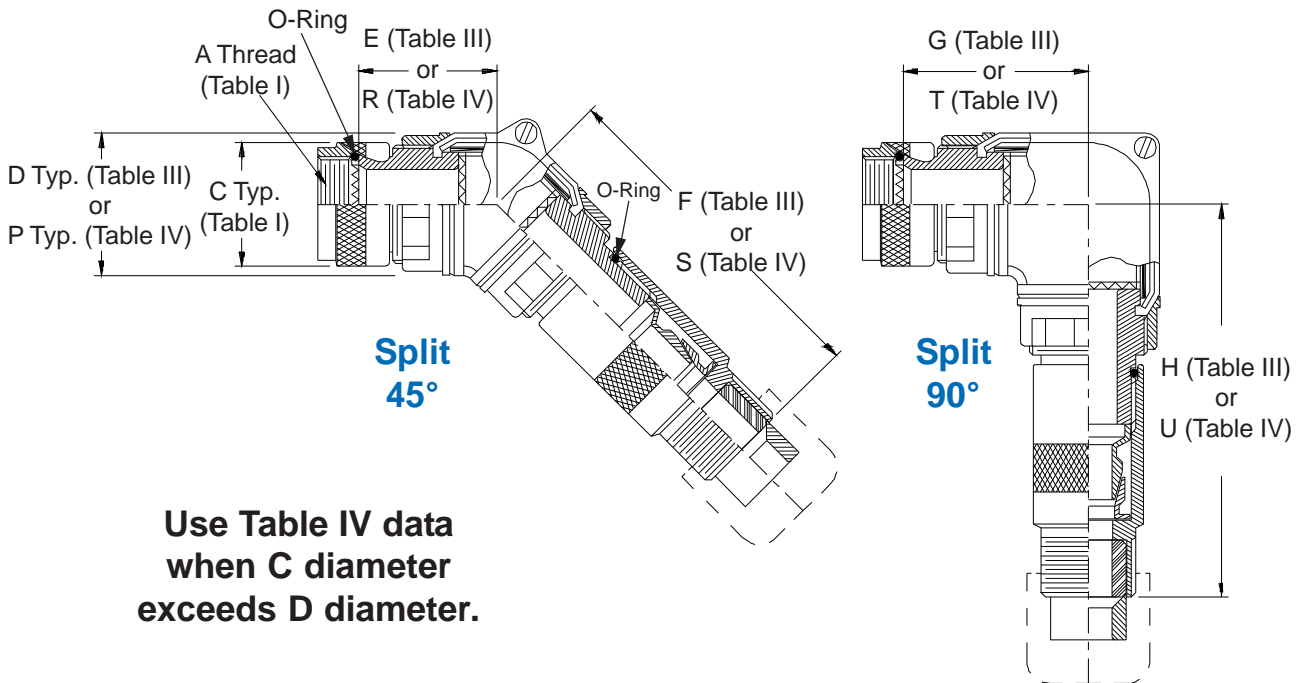
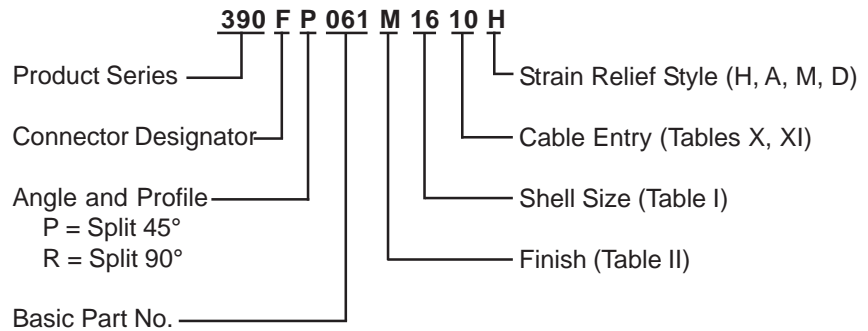


**CONNECTOR
 DESIGNATORS
 A-F-H-L-S
 ROTATABLE
 COUPLING**

**TYPE G INDIVIDUAL
 AND/OR OVERALL
 SHIELD TERMINATION**



390-061
Submersible EMI/RFI Cable Sealing Backshell
 with Strain Relief
 Type G - Rotatable Coupling - Split Shell



TABLE III

Shell Size		D		E		F		G		H	
Conn. Desig.	A-F-L-S H	Max		Max		Max		Max		Max	
08	09	1.188	(30.2)	1.781	(45.2)	4.406	(111.9)	1.781	(45.2)	4.406	(111.9)
10	11	1.188	(30.2)	1.781	(45.2)	4.406	(111.9)	1.781	(45.2)	4.406	(111.9)
12	13	1.188	(30.2)	1.781	(45.2)	4.406	(111.9)	1.781	(45.2)	4.406	(111.9)
14	15	1.188	(30.2)	1.781	(45.2)	4.406	(111.9)	1.781	(45.2)	4.406	(111.9)
16	17	1.438	(36.5)	1.906	(48.4)	4.531	(115.1)	1.906	(48.4)	4.531	(115.1)
18	19	1.438	(36.5)	1.906	(48.4)	4.531	(115.1)	1.906	(48.4)	4.531	(115.1)
20	21	1.438	(36.5)	1.906	(48.4)	4.531	(115.1)	1.906	(48.4)	4.531	(115.1)
22	23	1.688	(42.9)	2.031	(51.6)	4.656	(118.3)	2.031	(51.6)	4.656	(118.3)
24	25	1.688	(42.9)	2.031	(51.6)	4.656	(118.3)	2.031	(51.6)	4.656	(118.3)

TABLE IV

Dash No.	P Max	R Max	S Max	T Max	U Max
08	1.438 (36.5)	1.906 (48.4)	4.531 (115.1)	1.906 (48.4)	4.531 (115.1)
10	1.688 (42.9)	2.031 (51.6)	4.656 (118.3)	2.031 (51.6)	4.656 (118.3)
12	1.688 (42.9)	2.031 (51.6)	4.656 (118.3)	2.031 (51.6)	4.656 (118.3)
16	1.688 (42.9)	2.031 (51.6)	4.656 (118.3)	2.031 (51.6)	4.656 (118.3)
20	2.188 (55.6)	2.281 (57.9)	4.906 (124.6)	2.281 (57.9)	4.906 (124.6)
24	2.188 (55.6)	2.281 (57.9)	4.906 (124.6)	2.281 (57.9)	4.906 (124.6)
28	2.688 (68.3)	2.531 (64.3)	5.156 (131.0)	2.531 (64.3)	5.156 (131.0)

See inside back cover fold-out or pages 13 and 14 for Tables I and II.

TABLE X

Dash No.	T Max	V Max	Cable Range	
			Min	Max
04	.780 (19.8)	.957 (24.3)	.125 (3.2)	.312 (7.9)
06	.780 (19.8)	1.145 (29.1)	.250 (6.4)	.437 (11.1)
08	.780 (19.8)	1.332 (33.8)	.387 (9.8)	.562 (14.3)
10	.780 (19.8)	1.332 (33.8)	.350 (8.9)	.625 (15.9)
12	.811 (20.6)	1.551 (39.4)	.500 (12.7)	.750 (19.1)
16	.905 (23.0)	1.770 (45.0)	.625 (15.9)	.937 (23.8)
20	1.092 (27.7)	2.113 (53.7)	.875 (22.2)	1.250 (31.8)
24	1.124 (28.5)	2.363 (60.0)	1.000 (25.4)	1.375 (34.9)
28	1.399 (35.5)	2.770 (70.4)	1.250 (31.8)	1.625 (41.3)

1. Metric dimensions (mm) are indicated in parentheses.
2. Cable range is defined as the accommodations range for the wire bundle or cable. Dimensions shown are not intended for inspection criteria.
3. Interface O-Ring not supplied with connector designator A.

TABLE XI

Dash No.	W Max	X Max	Y Max	Z Max	Cable Range	
					Min	Max
03*	.437 (11.1)	.760 (19.3)	.843 (21.4)	.630 (16.0)	.156 (4.0)	.250 (6.4)
04*	.437 (11.1)	.760 (19.3)	.906 (23.0)	.755 (19.2)	.188 (4.8)	.312 (7.9)
06*	.500 (12.7)	.760 (19.3)	1.093 (27.8)	.942 (23.9)	.281 (7.1)	.438 (11.1)
08	.563 (14.3)	.760 (19.3)	1.187 (30.1)	1.067 (27.1)	.387 (9.8)	.562 (14.3)
10	.563 (14.3)	.760 (19.3)	1.281 (32.5)	1.192 (30.3)	.375 (9.5)	.625 (15.9)
12	.563 (14.3)	.760 (19.3)	1.500 (38.1)	1.380 (35.1)	.438 (11.1)	.750 (19.1)
16	.656 (16.7)	1.073 (27.3)	1.719 (43.7)	1.535 (39.0)	.625 (15.9)	.938 (23.8)
20	.656 (16.7)	1.323 (33.6)	2.062 (52.4)	1.848 (46.9)	.875 (22.2)	1.250 (31.8)
24	.656 (16.7)	1.323 (33.6)	2.312 (58.7)	2.255 (57.3)	1.000 (25.4)	1.375 (34.9)
28	1.188 (30.2)	1.572 (39.9)	2.719 (69.1)	2.505 (63.6)	1.250 (31.8)	1.625 (41.3)

* Not available in Style M clamp.