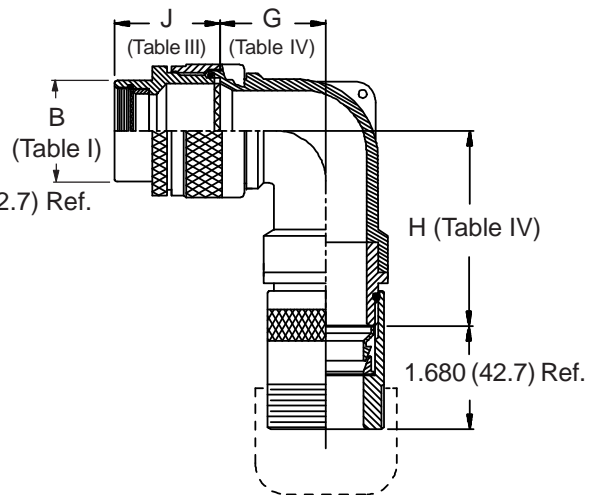
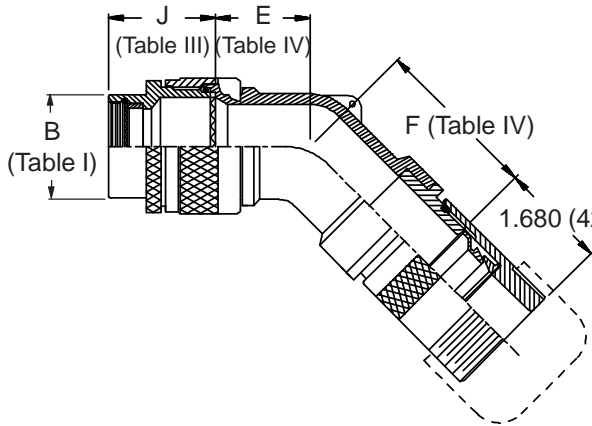
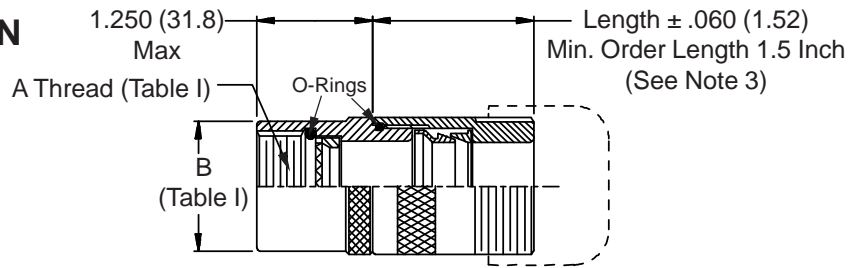
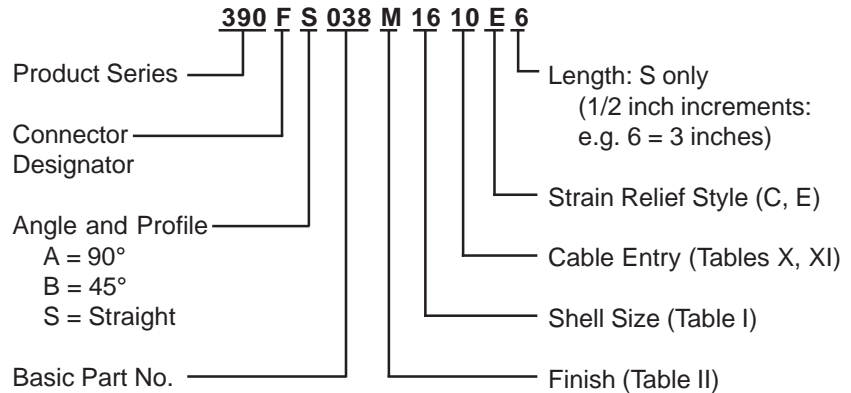


CONNECTOR DESIGNATORS
A-B*-C-D-E-F
G-H-J-K-L-S

* Conn. Desig. B See Note 5
DIRECT COUPLING

TYPE G INDIVIDUAL AND/OR OVERALL SHIELD TERMINATION



STYLE C
 Medium Duty
 (Table X)

STYLE E
 Medium Duty
 (Table XI)

