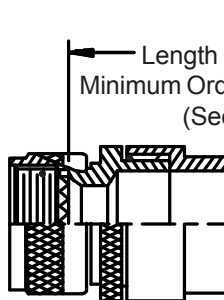
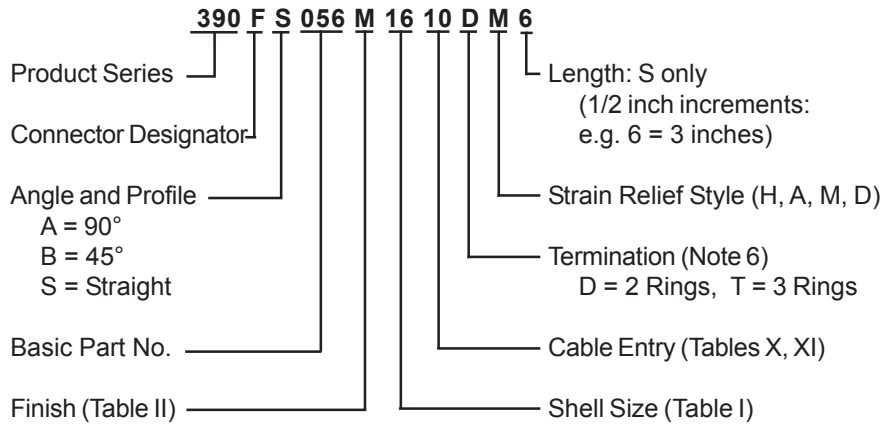
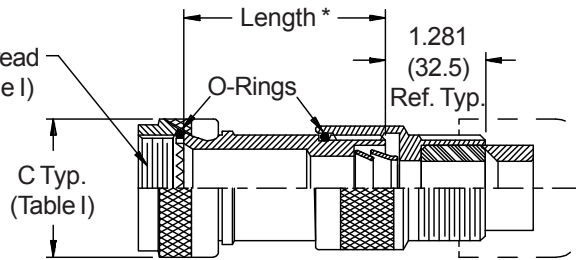


CONNECTOR DESIGNATORS
A-F-H-L-S
ROTATABLE COUPLING

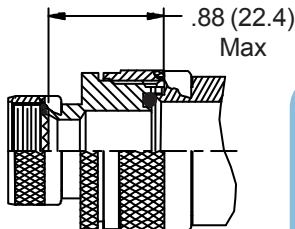
TYPE E INDIVIDUAL AND/OR OVERALL SHIELD TERMINATION



STYLE 2 (STRAIGHT)
 See Note 1)

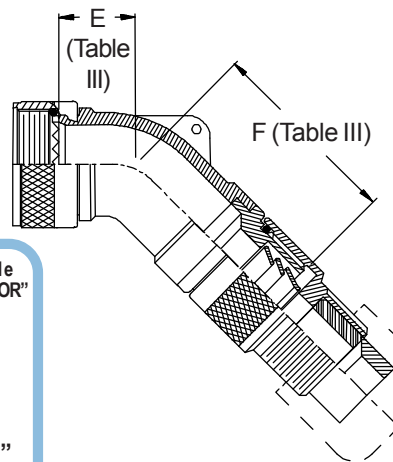


* Length $\pm .060$ (1.52)
 Minimum Order Length 1.5 Inch (See Note 4)



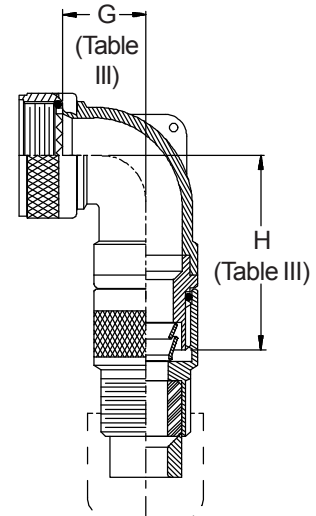
STYLE 2 (45° & 90°)
 See Note 1)

-445 Now Available with the "NESTOR"
 Glenair's Non-Detent, Spring-Loaded, Self-Locking Coupling.
 Add "-445" to Specify This AS85049 Style "N" Coupling Interface.

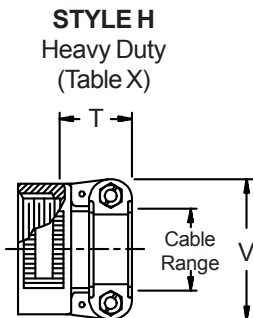


STYLE A
 Medium Duty (Table XI)

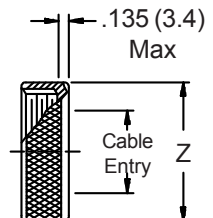
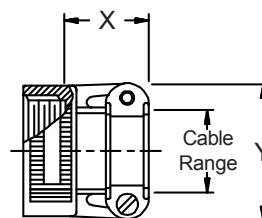
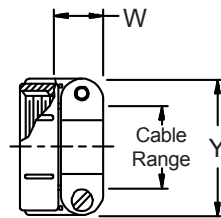
STYLE M
 Medium Duty (Table XI)



STYLE D
 Medium Duty (Table XI)



STYLE H
 Heavy Duty (Table X)



390-056
Submersible EMI/RFI Cable Sealing Backshell
with Strain Relief
Type E - Rotatable Coupling - Low Profile



TABLE III: ELBOW DIMENSIONS

| Shell Size | | E Max | F Max | G Max | H Max |
|--------------|-----------|--------------|--------------|--------------|--------------|
| Conn. Desig. | A-F-L-S H | | | | |
| 08 | 09 | .457 (11.6) | 1.760 (44.7) | .500 (12.7) | 1.880 (47.8) |
| 10 | 11 | .520 (13.2) | 1.920 (48.8) | .595 (15.1) | 1.990 (50.5) |
| 12 | 13 | .582 (14.8) | 1.990 (50.5) | .610 (15.5) | 2.020 (51.3) |
| 14 | 15 | .645 (16.4) | 2.144 (54.5) | .700 (17.8) | 2.154 (54.7) |
| 16 | 17 | .738 (18.7) | 2.254 (57.3) | .885 (22.5) | 2.244 (57.0) |
| 18 | 19 | .926 (23.5) | 2.444 (62.1) | .975 (24.8) | 2.414 (61.3) |
| 20 | 21 | .926 (23.5) | 2.444 (62.1) | .975 (24.8) | 2.414 (61.3) |
| 22 | 23 | 1.020 (25.9) | 2.657 (67.5) | 1.125 (28.6) | 2.587 (65.7) |
| 24 | 25 | 1.020 (25.9) | 2.657 (67.5) | 1.125 (28.6) | 2.587 (65.7) |
| 28 | | 1.145 (29.1) | 2.690 (68.3) | 1.225 (31.1) | 2.740 (69.6) |
| 32 | | 1.207 (30.7) | 2.790 (70.9) | 1.575 (40.0) | 2.990 (75.9) |
| 36 | | 1.238 (31.4) | 2.930 (74.4) | 1.775 (45.1) | 3.040 (77.2) |

TABLE X: CABLE ENTRY

| Dash No. | T Max | V Max | Cable Range | |
|----------|--------------|--------------|--------------|--------------|
| | | | Min | Max |
| 04 | .780 (19.8) | .957 (24.3) | .125 (3.2) | .312 (7.9) |
| 06 | .780 (19.8) | 1.145 (29.1) | .250 (6.4) | .437 (11.1) |
| 08 | .780 (19.8) | 1.332 (33.8) | .387 (9.8) | .562 (14.3) |
| 10 | .780 (19.8) | 1.332 (33.8) | .350 (8.9) | .625 (15.9) |
| 12 | .811 (20.6) | 1.551 (39.4) | .500 (12.7) | .750 (19.1) |
| 16 | .905 (23.0) | 1.770 (45.0) | .625 (15.9) | .937 (23.8) |
| 20 | 1.092 (27.7) | 2.113 (53.7) | .875 (22.2) | 1.250 (31.8) |
| 24 | 1.124 (28.5) | 2.363 (60.0) | 1.000 (25.4) | 1.375 (34.9) |
| 28 | 1.399 (35.5) | 2.770 (70.4) | 1.250 (31.8) | 1.625 (41.3) |
| 32 | 1.399 (35.5) | 3.020 (76.7) | 1.437 (36.5) | 1.875 (47.6) |

TABLE XI: CABLE ENTRY

| Dash No. | W Max | X Max | Y Max | Z Max | Cable Range | |
|----------|--------------|--------------|--------------|--------------|--------------|--------------|
| | | | | | Min ** | Max |
| 03* | .437 (11.1) | .760 (19.3) | .843 (21.4) | .630 (16.0) | .156 (4.0) | .250 (6.4) |
| 04* | .437 (11.1) | .760 (19.3) | .906 (23.0) | .755 (19.2) | .188 (4.8) | .312 (7.9) |
| 06* | .500 (12.7) | .760 (19.3) | 1.093 (27.8) | .942 (23.9) | .281 (7.1) | .438 (11.1) |
| 08 | .563 (14.3) | .760 (19.3) | 1.187 (30.1) | 1.067 (27.1) | .387 (9.8) | .562 (14.3) |
| 10 | .563 (14.3) | .760 (19.3) | 1.281 (32.5) | 1.192 (30.3) | .375 (9.5) | .625 (15.9) |
| 12 | .563 (14.3) | .760 (19.3) | 1.500 (38.1) | 1.380 (35.1) | .438 (11.1) | .750 (19.1) |
| 16 | .656 (16.7) | 1.073 (27.3) | 1.719 (43.7) | 1.535 (39.0) | .625 (15.9) | .938 (23.8) |
| 20 | .656 (16.7) | 1.323 (33.6) | 2.062 (52.4) | 1.848 (46.9) | .875 (22.2) | 1.250 (31.8) |
| 24 | .656 (16.7) | 1.323 (33.6) | 2.312 (58.7) | 2.255 (57.3) | 1.000 (25.4) | 1.375 (34.9) |
| 28 | 1.188 (30.2) | 1.572 (39.9) | 2.719 (69.1) | 2.505 (63.6) | 1.250 (31.8) | 1.625 (41.3) |
| 32* | 1.187 (30.1) | 1.572 (39.9) | 2.969 (75.4) | 2.755 (70.0) | 1.437 (36.5) | 1.875 (47.6) |
| 40* | 1.125 (28.6) | 1.572 (39.9) | 3.531 (89.7) | 3.255 (82.7) | 1.875 (47.6) | 2.375 (60.3) |

* Not available in Style M clamp.

See inside back cover fold-out or pages 13 and 14 for Tables I and II.

1. When maximum cable entry (page 21) is exceeded, Style 2 will be supplied. Dimensions E, F, G and H will not apply. Please consult factory.
2. Metric dimensions (mm) are indicated in parentheses.
3. Cable range is defined as the accommodations range for the wire bundle or cable. Dimensions shown are not intended for inspection criteria.
4. Consult factory for shorter lengths on straight backshells.
5. Interface O-Ring not supplied with connector designator A.
6. Designate Symbol T for 3 ring termination of individual and overall braid. Designate D for standard 2 ring termination of individual or overall braid.