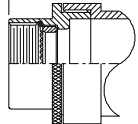


**CONNECTOR
 DESIGNATORS**
A-B*-C-D-E-F
G-H-J-K-L-S

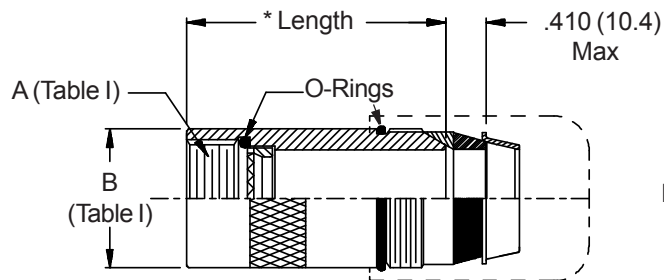
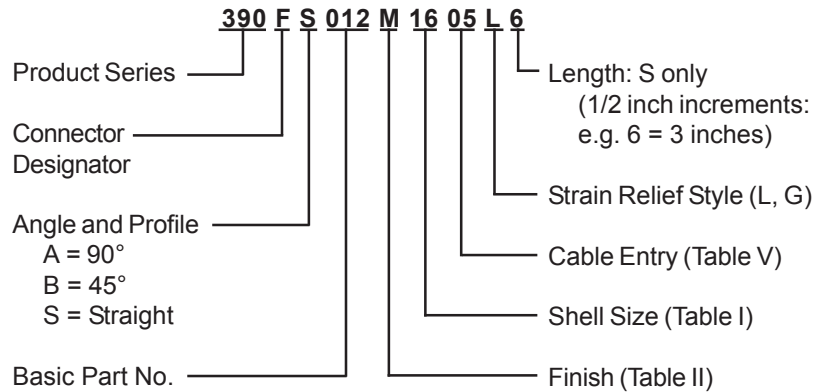
* Conn. Desig. B See Note 5
DIRECT COUPLING

**TYPE C OVERALL
 SHIELD TERMINATION**

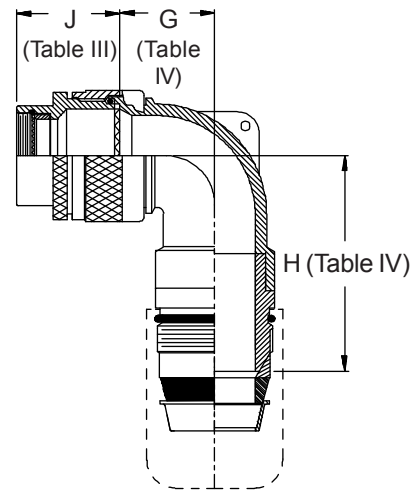
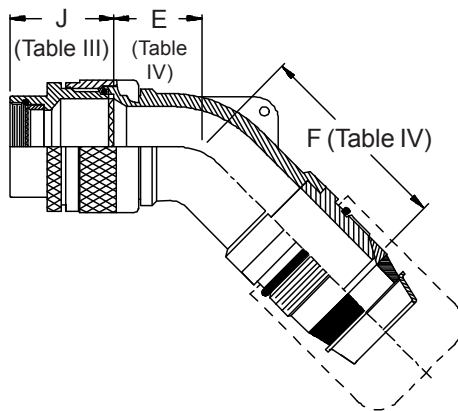
Length ± .060 (1.52)
 Min. Order Length 2.0 Inch
 (See Note 4)



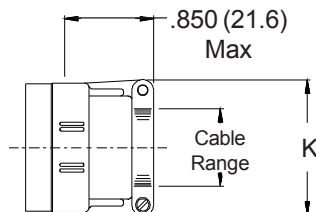
STYLE 2
 (STRAIGHT
 See Note 1)



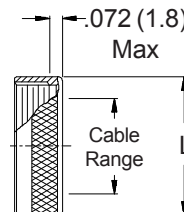
* Length
 ± .060 (1.52)
 Min. Order
 Length 1.5 Inch
 (See Note 4)



STYLE L
 Light Duty
 (Table V)



STYLE G
 Light Duty
 (Table V)



390-012
Splash-Proof EMI/RFI Cable Sealing Backshell
Light-Duty with Strain Relief
Type C - Direct Coupling - Low Profile



TABLE III: FRONT ADAPTER

Shell Size	J Max - Conn. Designator		
	A-E-F J-H-L-S	D-B-G-K	C
08/09	1.180 (30.0)	1.440 (36.6)	
10/11	1.180 (30.0)	1.440 (36.6)	
12/13	1.180 (30.0)	1.440 (36.6)	1.735 (44.1)
14/15	1.180 (30.0)	1.440 (36.6)	1.915 (48.6)
16/17	1.380 (35.0)	1.560 (39.6)	1.915 (48.6)
18/19	1.380 (35.0)	1.560 (39.6)	1.915 (48.6)
20/21	1.380 (35.0)	1.560 (39.6)	1.915 (48.6)
22/23	1.380 (35.0)	1.560 (39.6)	1.915 (48.6)
24/25	1.380 (35.0)	1.560 (39.6)	1.915 (48.6)
28/29	1.610 (40.9)	1.560 (39.6)	1.915 (48.6)
32/33	1.610 (40.9)	1.750 (44.5)	1.915 (48.6)
36	1.610 (40.9)	1.750 (44.5)	1.915 (48.6)
40	1.610 (40.9)	2.190 (55.6)	1.915 (48.6)

See inside back cover
 fold-out or pages 13 and
 14 for Tables I and II.

1. When maximum cable entry (page 22) is exceeded, Style 2 will be supplied. (Function S only).
2. Metric dimensions (mm) are indicated in parentheses.
3. Cable range is defined as the accommodations range for the wire bundle or cable. Dimensions shown are not intended for inspection criteria.
4. Consult factory for shorter lengths on straight backshells.
5. When using Connector Designator B refer to pages 18 and 19 for part number development.

TABLE IV: CABLE ENTRY

Elbow Size	E Max	F Max	G Max	H Max
01	.457 (11.6)	1.700 (43.2)	.636 (16.2)	1.698 (43.1)
02	.457 (11.6)	1.700 (43.2)	.636 (16.2)	1.698 (43.1)
03	.630 (16.0)	1.748 (44.4)	.709 (18.0)	1.818 (46.2)
04	.692 (17.6)	1.808 (45.9)	.734 (18.6)	1.838 (46.7)
05	.755 (19.2)	1.898 (48.2)	.825 (21.0)	1.908 (48.5)
06	.848 (21.5)	1.998 (50.7)	.990 (25.1)	1.998 (50.7)
07	1.036 (26.3)	2.198 (55.8)	1.090 (27.7)	2.168 (55.1)
08	1.130 (28.7)	2.338 (59.4)	1.325 (33.7)	2.278 (57.9)
09	1.130 (28.7)	2.338 (59.4)	1.325 (33.7)	2.278 (57.9)
10	1.130 (28.7)	2.338 (59.4)	1.325 (33.7)	2.278 (57.9)

TABLE V: CABLE ENTRY

Dash No.	K Max	L Max	Cable Range	
			Min	Max
01	.781 (19.8)	.593 (15.1)	.062 (1.6)	.125 (3.2)
02	.968 (24.6)	.718 (18.2)	.125 (3.2)	.250 (6.4)
03	1.046 (26.6)	.843 (21.4)	.250 (6.4)	.375 (9.5)
04	1.156 (29.4)	.968 (24.6)	.375 (9.5)	.500 (12.7)
05	1.218 (30.9)	1.109 (28.2)	.500 (12.7)	.625 (15.9)
06	1.343 (34.1)	1.218 (30.9)	.625 (15.9)	.750 (19.1)
07	1.468 (37.3)	1.343 (34.1)	.750 (19.1)	.875 (22.2)
08	1.593 (40.5)	1.468 (37.3)	.875 (22.2)	1.000 (25.4)
09	1.718 (43.6)	1.593 (40.5)	1.000 (25.4)	1.125 (28.6)
10	1.843 (46.8)	1.718 (43.6)	1.125 (28.6)	1.250 (31.8)