



390-052

Composite Cone and Ring Style

EMI/RFI Environmental Shield Termination Backshell with Self-Locking Rotatable Coupling and Strain Relief

A

CONNECTOR DESIGNATOR:	
A	MIL-DTL-5015, -26482 Series II, and -83723 Series I and III
F	MIL-DTL-38999 Series I, II
L	MIL-DTL-38999 Series 1.5 (JN1003)
H	MIL-DTL-38999 Series III and IV
G	MIL-DTL-28840
U	DG123 and DG123A
SELF-LOCKING	
ROTATABLE COUPLING	
STANDARD PROFILE	

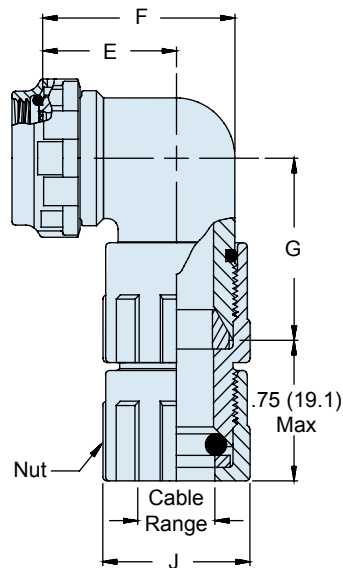
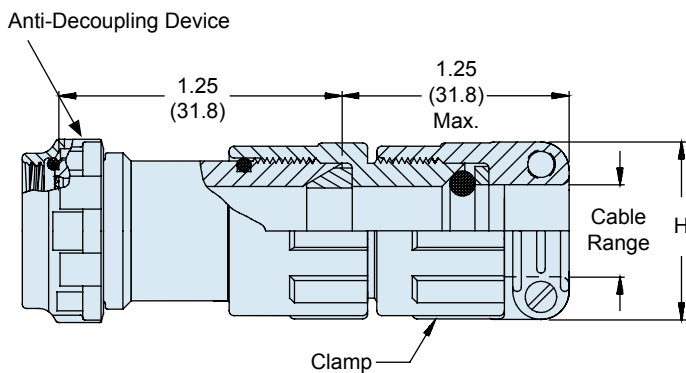
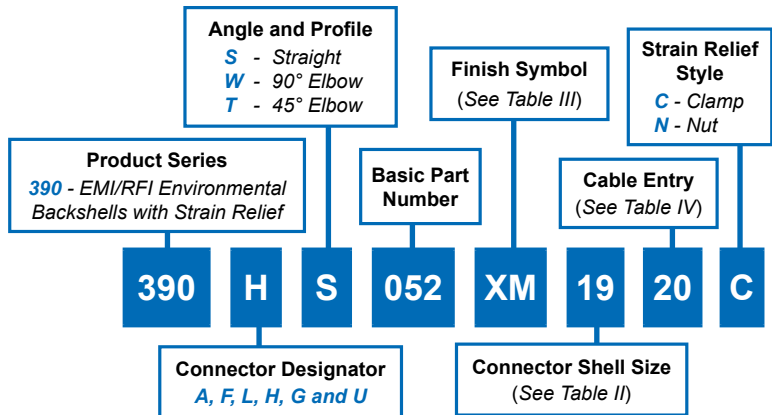


TABLE II: CONNECTOR SHELL SIZE

Shell Size For		Connector Designator		E	F	G	Max Entry	
A	F/L	H	G	U	±.06 (1.5)	±.09 (2.3)	±.09 (2.3)	Dash No.**
08	08	09	-	-	.69 (17.5)	.88 (22.4)	1.06 (26.9)	10
10	10	11	-	08	.75 (19.1)	1.00 (25.4)	1.13 (28.7)	12
12	12	13	11	10	.81 (20.6)	1.13 (28.7)	1.19 (30.2)	14
14	14	15	13	12	.88 (22.4)	1.31 (33.3)	1.25 (31.8)	16
16	16	17	15	14	.94 (23.9)	1.38 (35.1)	1.31 (33.3)	20
18	18	19	17	16	.97 (24.6)	1.44 (36.6)	1.34 (34.0)	20
20	20	21	19	18	1.06 (26.9)	1.63 (41.4)	1.44 (36.6)	22
22	22	23	-	20	1.13 (28.7)	1.75 (44.5)	1.50 (38.1)	24
24	24	25	23	22	1.19 (30.2)	1.88 (47.8)	1.56 (39.6)	28
28	-	-	25	24	1.34 (34.0)	2.13 (54.1)	1.66 (42.2)	32

TABLE III: FINISH

Symbol	Finish Description
XM	2000 Hour Corrosion Resistant Electroless Nickel
XMT	2000 Hour Corrosion Resistant Ni-PTFE, Nickel-Fluorocarbon Polymer. 1000 Hour Grey™
XW	2000 Hour Corrosion Resistant Cadmium/Olive Drab over Electroless Nickel

390-052

Composite Cone and Ring Style
EMI/RFI Environmental Shield Termination Backshell
with Self-Locking Rotatable Coupling and Strain Relief



Composite Backshells

A

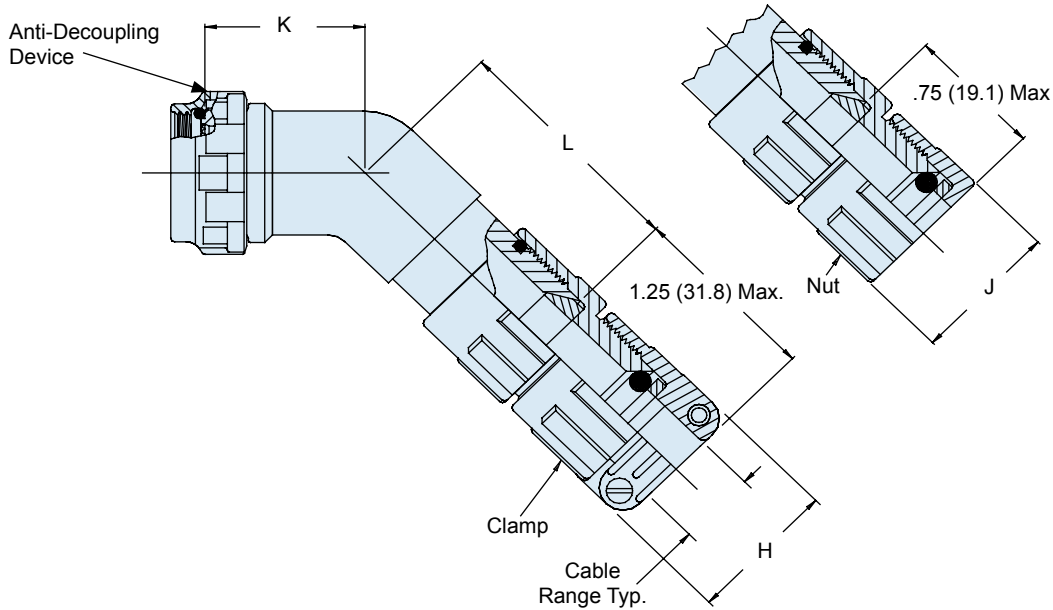


TABLE IV: CABLE ENTRY (CONT.)

Entry Code	H		J		Cable Range				Entry Code	Clamp Saddle Closed	
	±.06	(1.5)	±.06	(1.5)	Minimum	Maximum					
10	.94	(23.9)	.80	(20.3)	.13	(3.3)	.25	(6.4)	10	.20	(5.1)
12	1.17	(29.7)	.93	(23.6)	.25	(6.4)	.38	(9.7)	12	.29	(7.4)
14	1.28	(32.5)	1.06	(26.9)	.31	(7.9)	.44	(11.2)	14	.40	(10.2)
16	1.41	(35.8)	1.22	(31.0)	.50	(12.7)	.63	(15.9)	16	.48	(12.2)
18	1.50	(38.1)	1.24	(31.5)	.56	(14.2)	.69	(17.5)	18	.55	(14.0)
20	1.56	(39.6)	1.37	(34.8)	.63	(16.0)	.75	(19.1)	20	.64	(16.0)
22	1.69	(42.9)	1.49	(37.8)	.75	(19.1)	.88	(22.2)	22	.72	(18.3)
24	1.81	(46.0)	1.62	(41.1)	.88	(22.4)	1.00	(25.4)	24	.79	(20.1)
28	1.91	(48.5)	1.68	(42.7)	1.00	(25.4)	1.13	(28.6)	28	.89	(22.0)
32	2.02	(51.3)	1.82	(46.2)	1.13	(28.6)	1.25	(31.8)	32	.96	(24.0)

TABLE II: CONNECTOR SHELL SIZE (CONT.)

Shell Size For Connector Designator						
A & F/L	H	K		L		Max Entry Dash No. *
		±.06	(1.5)	±.06	(1.5)	
08	09	.72	(18.3)	.88	(22.4)	10
10	11	.75	(19.1)	.94	(23.9)	12
12	13	.75	(19.1)	1.00	(25.4)	14
14	15	.76	(19.3)	1.03	(26.2)	16
16	17	.78	(19.8)	1.06	(26.9)	20
18	19	.79	(20.1)	1.07	(27.2)	20
20	21	.82	(20.8)	1.09	(27.7)	22
22	23	.86	(21.8)	1.14	(29.0)	24
24	25	.92	(23.4)	1.17	(29.7)	28

NOTES

1. Coupling nut supplied unplated.
2. Metric dimensions (mm) are in parenthesis and are for reference only.
3. Consult factory for additional entry sizes available.
4. See Table I in Intro for front-end dimensional details.