

Series 80 Mighty Mouse Environmental EMI Backshell Ordering Information

390MS077, 390MS076, 390MB077 and 390MA077

Compression
Nut



These backshells feature an EMI ring for easy shield termination. O-rings provide watertight seals on the cable jacket and on the backshell-to-connector interface.

MATERIALS

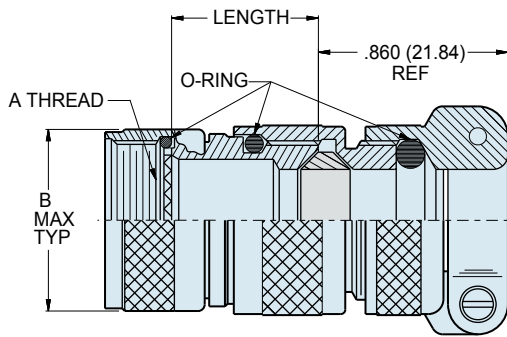
| | |
|---------------------------------|--|
| Adapter, Clamp, Nut and Saddles | Aluminum Alloy 6061-T6 or 300 Series Stainless Steel |
| O-Rings | Silicone Rubber |
| Hardware | 300 Series Stainless Steel |

HOW TO ORDER

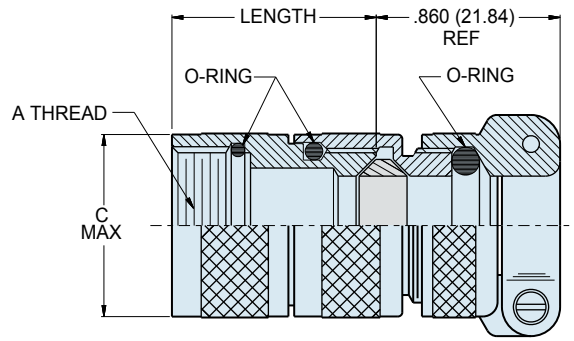
| 390MS077 | M | 07 | 04- | 6 | N | | | | | | | | | | | | | | | | | | | | | | | | | | | | | | | | | | | | | | | | | | | | | | | | | | | | | | | | | | | | | | | |
|--|--|--|------------------|-------------|-------------|----------|----|----------|----|----------|----|----------|----|----------|----|----------|----|----------|----|----------|----|----------|----|----------|----|-----------|--|------------------|--------------------|--|------|------|-----|------|------|-----|------|------|-----|------|------|-----|------|------|-----|------|------|-----|------|------|-----|------|------|-----|------|------|-----|------|------|-----|------|------|-----|------|------|------------------------------|--|--|
| Part Number | Shell Material / Finish | Size Code | Cable Entry Code | Length | Clamp Style | | | | | | | | | | | | | | | | | | | | | | | | | | | | | | | | | | | | | | | | | | | | | | | | | | | | | | | | | | | | | | | |
| <p>390MS077 Straight Entry, Rotatable Coupling</p> <p>390MS076 Straight Entry, Direct Coupling</p> <p>390MB077 45° Entry Rotatable Coupling</p> <p>390MA077 90° Entry Rotatable Coupling</p> | C Aluminum / Black Anodize (Non-Conductive) RoHS Compliant | <table border="1" style="width: 100%;"> <thead> <tr> <th style="text-align: center;">Size Code</th> <th style="text-align: center;">Thread Size</th> </tr> </thead> <tbody> <tr><td style="text-align: center;">05</td><td style="text-align: center;">.2500-32</td></tr> <tr><td style="text-align: center;">06</td><td style="text-align: center;">.3125-32</td></tr> <tr><td style="text-align: center;">11</td><td style="text-align: center;">.3750-32</td></tr> <tr><td style="text-align: center;">07</td><td style="text-align: center;">.4375-28</td></tr> <tr><td style="text-align: center;">08</td><td style="text-align: center;">.5000-28</td></tr> <tr><td style="text-align: center;">09</td><td style="text-align: center;">.5625-24</td></tr> <tr><td style="text-align: center;">10</td><td style="text-align: center;">.6250-24</td></tr> <tr><td style="text-align: center;">12</td><td style="text-align: center;">.6875-24</td></tr> <tr><td style="text-align: center;">13</td><td style="text-align: center;">.7500-20</td></tr> <tr><td style="text-align: center;">14</td><td style="text-align: center;">.9375-20</td></tr> <tr><td style="text-align: center;">17</td><td style="text-align: center;">1.1875-18</td></tr> </tbody> </table> | Size Code | Thread Size | 05 | .2500-32 | 06 | .3125-32 | 11 | .3750-32 | 07 | .4375-28 | 08 | .5000-28 | 09 | .5625-24 | 10 | .6250-24 | 12 | .6875-24 | 13 | .7500-20 | 14 | .9375-20 | 17 | 1.1875-18 | <table border="1" style="width: 100%;"> <thead> <tr> <th rowspan="2" style="text-align: center;">Cable Entry Code</th> <th colspan="2" style="text-align: center;">Cable Sealing Dia.</th> </tr> <tr> <th style="text-align: center;">Max.</th> <th style="text-align: center;">Min.</th> </tr> </thead> <tbody> <tr><td style="text-align: center;">01-</td><td style="text-align: center;">.109</td><td style="text-align: center;">.031</td></tr> <tr><td style="text-align: center;">02-</td><td style="text-align: center;">.172</td><td style="text-align: center;">.078</td></tr> <tr><td style="text-align: center;">03-</td><td style="text-align: center;">.234</td><td style="text-align: center;">.140</td></tr> <tr><td style="text-align: center;">04-</td><td style="text-align: center;">.297</td><td style="text-align: center;">.203</td></tr> <tr><td style="text-align: center;">05-</td><td style="text-align: center;">.359</td><td style="text-align: center;">.265</td></tr> <tr><td style="text-align: center;">06-</td><td style="text-align: center;">.422</td><td style="text-align: center;">.328</td></tr> <tr><td style="text-align: center;">07-</td><td style="text-align: center;">.484</td><td style="text-align: center;">.390</td></tr> <tr><td style="text-align: center;">08-</td><td style="text-align: center;">.547</td><td style="text-align: center;">.453</td></tr> <tr><td style="text-align: center;">09-</td><td style="text-align: center;">.609</td><td style="text-align: center;">.515</td></tr> <tr><td style="text-align: center;">10-</td><td style="text-align: center;">.672</td><td style="text-align: center;">.578</td></tr> <tr><td style="text-align: center;">11-</td><td style="text-align: center;">.734</td><td style="text-align: center;">.640</td></tr> </tbody> </table> | Cable Entry Code | Cable Sealing Dia. | | Max. | Min. | 01- | .109 | .031 | 02- | .172 | .078 | 03- | .234 | .140 | 04- | .297 | .203 | 05- | .359 | .265 | 06- | .422 | .328 | 07- | .484 | .390 | 08- | .547 | .453 | 09- | .609 | .515 | 10- | .672 | .578 | 11- | .734 | .640 | Straight Entry 390MS Only | | <p>Omit for screw clamp with saddle bars</p> <p>N Optional Compression Nut, Low Profile</p> |
| | Size Code | | Thread Size | | | | | | | | | | | | | | | | | | | | | | | | | | | | | | | | | | | | | | | | | | | | | | | | | | | | | | | | | | | | | | | | | |
| | 05 | | .2500-32 | | | | | | | | | | | | | | | | | | | | | | | | | | | | | | | | | | | | | | | | | | | | | | | | | | | | | | | | | | | | | | | | | |
| | 06 | | .3125-32 | | | | | | | | | | | | | | | | | | | | | | | | | | | | | | | | | | | | | | | | | | | | | | | | | | | | | | | | | | | | | | | | | |
| | 11 | | .3750-32 | | | | | | | | | | | | | | | | | | | | | | | | | | | | | | | | | | | | | | | | | | | | | | | | | | | | | | | | | | | | | | | | | |
| | 07 | | .4375-28 | | | | | | | | | | | | | | | | | | | | | | | | | | | | | | | | | | | | | | | | | | | | | | | | | | | | | | | | | | | | | | | | | |
| | 08 | | .5000-28 | | | | | | | | | | | | | | | | | | | | | | | | | | | | | | | | | | | | | | | | | | | | | | | | | | | | | | | | | | | | | | | | | |
| | 09 | | .5625-24 | | | | | | | | | | | | | | | | | | | | | | | | | | | | | | | | | | | | | | | | | | | | | | | | | | | | | | | | | | | | | | | | | |
| | 10 | | .6250-24 | | | | | | | | | | | | | | | | | | | | | | | | | | | | | | | | | | | | | | | | | | | | | | | | | | | | | | | | | | | | | | | | | |
| | 12 | | .6875-24 | | | | | | | | | | | | | | | | | | | | | | | | | | | | | | | | | | | | | | | | | | | | | | | | | | | | | | | | | | | | | | | | | |
| 13 | .7500-20 | | | | | | | | | | | | | | | | | | | | | | | | | | | | | | | | | | | | | | | | | | | | | | | | | | | | | | | | | | | | | | | | | | | |
| 14 | .9375-20 | | | | | | | | | | | | | | | | | | | | | | | | | | | | | | | | | | | | | | | | | | | | | | | | | | | | | | | | | | | | | | | | | | | |
| 17 | 1.1875-18 | | | | | | | | | | | | | | | | | | | | | | | | | | | | | | | | | | | | | | | | | | | | | | | | | | | | | | | | | | | | | | | | | | | |
| Cable Entry Code | Cable Sealing Dia. | | | | | | | | | | | | | | | | | | | | | | | | | | | | | | | | | | | | | | | | | | | | | | | | | | | | | | | | | | | | | | | | | | | |
| | Max. | Min. | | | | | | | | | | | | | | | | | | | | | | | | | | | | | | | | | | | | | | | | | | | | | | | | | | | | | | | | | | | | | | | | | | |
| 01- | .109 | .031 | | | | | | | | | | | | | | | | | | | | | | | | | | | | | | | | | | | | | | | | | | | | | | | | | | | | | | | | | | | | | | | | | | |
| 02- | .172 | .078 | | | | | | | | | | | | | | | | | | | | | | | | | | | | | | | | | | | | | | | | | | | | | | | | | | | | | | | | | | | | | | | | | | |
| 03- | .234 | .140 | | | | | | | | | | | | | | | | | | | | | | | | | | | | | | | | | | | | | | | | | | | | | | | | | | | | | | | | | | | | | | | | | | |
| 04- | .297 | .203 | | | | | | | | | | | | | | | | | | | | | | | | | | | | | | | | | | | | | | | | | | | | | | | | | | | | | | | | | | | | | | | | | | |
| 05- | .359 | .265 | | | | | | | | | | | | | | | | | | | | | | | | | | | | | | | | | | | | | | | | | | | | | | | | | | | | | | | | | | | | | | | | | | |
| 06- | .422 | .328 | | | | | | | | | | | | | | | | | | | | | | | | | | | | | | | | | | | | | | | | | | | | | | | | | | | | | | | | | | | | | | | | | | |
| 07- | .484 | .390 | | | | | | | | | | | | | | | | | | | | | | | | | | | | | | | | | | | | | | | | | | | | | | | | | | | | | | | | | | | | | | | | | | |
| 08- | .547 | .453 | | | | | | | | | | | | | | | | | | | | | | | | | | | | | | | | | | | | | | | | | | | | | | | | | | | | | | | | | | | | | | | | | | |
| 09- | .609 | .515 | | | | | | | | | | | | | | | | | | | | | | | | | | | | | | | | | | | | | | | | | | | | | | | | | | | | | | | | | | | | | | | | | | |
| 10- | .672 | .578 | | | | | | | | | | | | | | | | | | | | | | | | | | | | | | | | | | | | | | | | | | | | | | | | | | | | | | | | | | | | | | | | | | |
| 11- | .734 | .640 | | | | | | | | | | | | | | | | | | | | | | | | | | | | | | | | | | | | | | | | | | | | | | | | | | | | | | | | | | | | | | | | | | |
| Length Code | Length (Inches) | 5 | .625 | | | | | | | | | | | | | | | | | | | | | | | | | | | | | | | | | | | | | | | | | | | | | | | | | | | | | | | | | | | | | | | | | |
| 6 | .750 | 7 | .875 | | | | | | | | | | | | | | | | | | | | | | | | | | | | | | | | | | | | | | | | | | | | | | | | | | | | | | | | | | | | | | | | | |
| 8 | 1.000 | 9 | 1.125 | | | | | | | | | | | | | | | | | | | | | | | | | | | | | | | | | | | | | | | | | | | | | | | | | | | | | | | | | | | | | | | | | |
| 10 | 1.250 | 11 | 1.375 | | | | | | | | | | | | | | | | | | | | | | | | | | | | | | | | | | | | | | | | | | | | | | | | | | | | | | | | | | | | | | | | | |
| 12 | 1.500 | 13 | 1.625 | | | | | | | | | | | | | | | | | | | | | | | | | | | | | | | | | | | | | | | | | | | | | | | | | | | | | | | | | | | | | | | | | |
| 14 | 1.750 | 15 | 1.875 | | | | | | | | | | | | | | | | | | | | | | | | | | | | | | | | | | | | | | | | | | | | | | | | | | | | | | | | | | | | | | | | | |
| 16 | 2.000 | 17 | 2.125 | | | | | | | | | | | | | | | | | | | | | | | | | | | | | | | | | | | | | | | | | | | | | | | | | | | | | | | | | | | | | | | | | |
| 18 | 2.250 | 19 | 2.375 | | | | | | | | | | | | | | | | | | | | | | | | | | | | | | | | | | | | | | | | | | | | | | | | | | | | | | | | | | | | | | | | | |
| 20 | 2.500 | Specify length in increments of .125 inches (3.18 mm.) | | | | | | | | | | | | | | | | | | | | | | | | | | | | | | | | | | | | | | | | | | | | | | | | | | | | | | | | | | | | | | | | | | |

Dimensions in inches (millimeters) and are subject to change without notice.

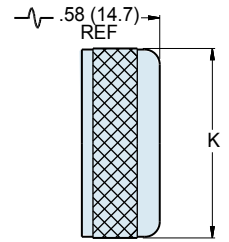
Series 80 Mighty Mouse Environmental EMI Backshell Dimensions 390MS077, 390MS076, 390MB077 and 390MA077



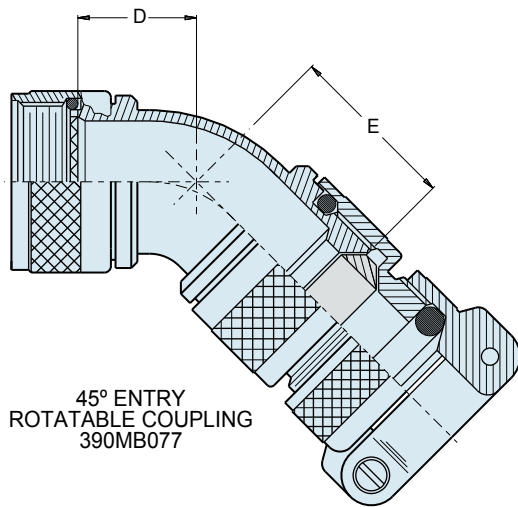
STRAIGHT ENTRY
ROTATABLE COUPLING
390MS077



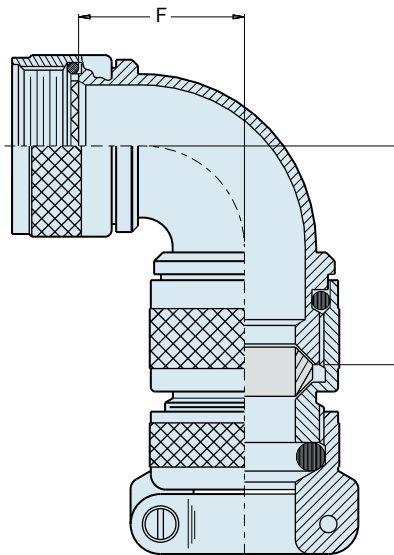
STRAIGHT ENTRY
DIRECT COUPLING
390MS076



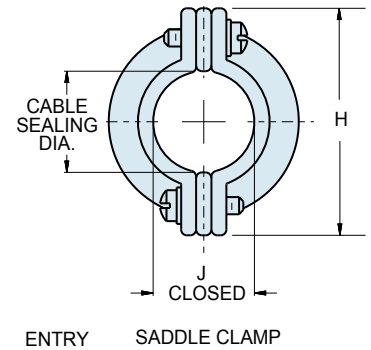
CLAMP STYLE N
COMPRESSION NUT



45° ENTRY
ROTATABLE COUPLING
390MB077



90° ENTRY
ROTATABLE COUPLING
390MA077



ENTRY SADDLE CLAMP

DIMENSIONS

| Size Code | A Thds. | B Max. | | C Max. | | Std. Length* | |
|-----------|-----------|--------|-------|--------|-------|--------------|-------|
| | | In. | mm. | In. | mm. | In. | mm. |
| 05 | .2500-32 | .470 | 11.94 | .350 | 8.89 | .750 | 19.05 |
| 06 | .3125-32 | .530 | 13.46 | .415 | 10.54 | .750 | 19.05 |
| 11 | .3750-32 | .570 | 14.48 | .570 | 14.48 | .750 | 19.05 |
| 07 | .4375-28 | .637 | 16.18 | .530 | 13.46 | .750 | 19.05 |
| 08 | .5000-28 | .700 | 17.78 | .595 | 15.11 | .750 | 19.05 |
| 09 | .5625-24 | .758 | 19.25 | .650 | 16.51 | .750 | 19.05 |
| 10 | .6250-24 | .819 | 20.80 | .715 | 18.16 | .750 | 19.05 |
| 12 | .6875-24 | .896 | 22.76 | .785 | 19.94 | .880 | 22.35 |
| 13 | .7500-20 | .930 | 23.62 | .930 | 23.62 | .880 | 22.35 |
| 14 | .9375-20 | 1.137 | 28.88 | 1.137 | 28.88 | 1.000 | 25.40 |
| 17 | 1.1875-18 | 1.387 | 35.23 | 1.387 | 35.23 | 1.130 | 28.70 |

*Choose standard length for best availability

DIMENSIONS

| Cable Entry Code | Cable Sealing Dia. | | D Max. | | E Max. | | F Max. | | G Max. | | H | | Ø J Closed | | Ø K | |
|------------------|--------------------|------|--------|-------|--------|-------|--------|-------|--------|-------|-------|-------|------------|-------|------|-------|
| | Max. | Min. | In. | mm. | In. | mm. | In. | mm. | In. | mm. | In. | mm. | In. | mm. | In. | mm. |
| 01 | .109 | .031 | .603 | 15.32 | .681 | 17.30 | .724 | 18.39 | .802 | 20.37 | .496 | 12.60 | .110 | 2.79 | .398 | 10.11 |
| 02 | .172 | .078 | .603 | 15.32 | .681 | 17.30 | .724 | 18.39 | .802 | 20.37 | .582 | 14.78 | .170 | 4.32 | .460 | 11.68 |
| 03 | .234 | .140 | .603 | 15.32 | .681 | 17.30 | .724 | 18.39 | .802 | 20.37 | .656 | 16.66 | .230 | 5.84 | .523 | 13.28 |
| 04 | .297 | .203 | .629 | 15.98 | .707 | 17.96 | .786 | 19.96 | .864 | 21.95 | .726 | 18.44 | .300 | 7.62 | .585 | 14.86 |
| 05 | .359 | .265 | .629 | 15.98 | .707 | 17.96 | .786 | 19.96 | .864 | 21.95 | .885 | 22.48 | .360 | 9.14 | .647 | 16.43 |
| 06 | .422 | .328 | .655 | 16.64 | .733 | 18.62 | .848 | 21.54 | .926 | 23.52 | .952 | 24.18 | .420 | 10.67 | .710 | 18.03 |
| 07 | .484 | .390 | .655 | 16.64 | .733 | 18.62 | .848 | 21.54 | .926 | 23.52 | 1.018 | 25.86 | .480 | 12.19 | .773 | 19.63 |
| 08 | .547 | .453 | .707 | 17.96 | .785 | 19.94 | .911 | 23.14 | .989 | 25.12 | 1.084 | 27.53 | .550 | 13.97 | .835 | 21.21 |
| 09 | .609 | .515 | .707 | 17.96 | .785 | 19.94 | .911 | 23.14 | .989 | 25.12 | 1.148 | 29.16 | .610 | 15.49 | .897 | 22.78 |

Dimensions in inches (millimeters) and are subject to change without notice.