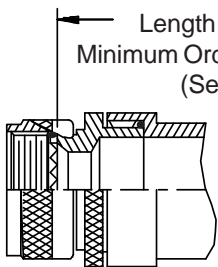
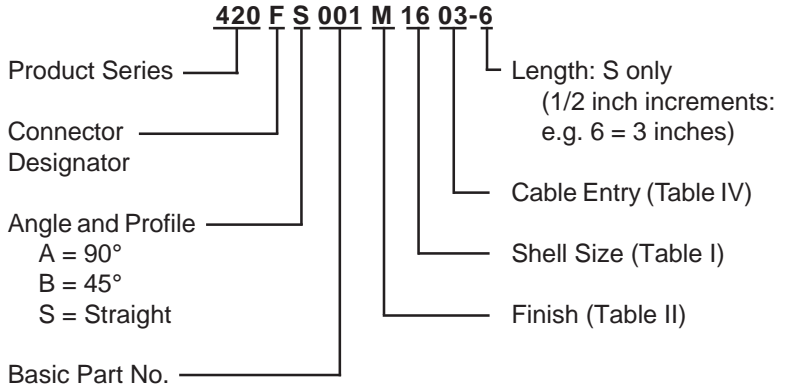


**CONNECTOR
 DESIGNATORS
 A-F-H-L-S
 ROTATABLE
 COUPLING**



**STYLE 2
 (STRAIGHT)**

Length ± .060 (1.52)
 Minimum Order Length 3.0 Inch
 (See Note 4)

A Thread
 (Table I)

Length *
 O-Ring

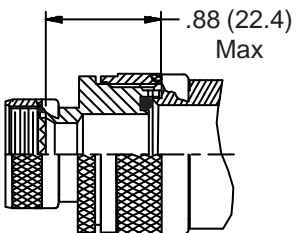
Sealtite/Liquidite
 Conduit or Equivalent
 (Customer Furnished)

C Typ.
 (Table I)

K ** L ** M **

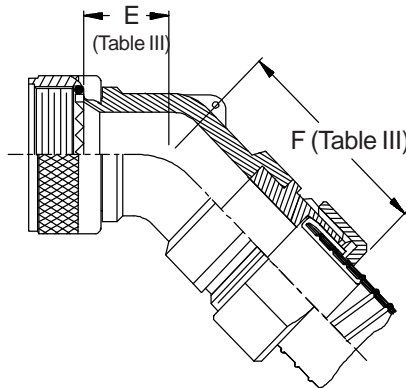
* Length ± .060 (1.52)
 Minimum Order Length 2.5 Inch
 (See Note 4)

N Wrench Flat
 (Table IV) ** (Table IV)



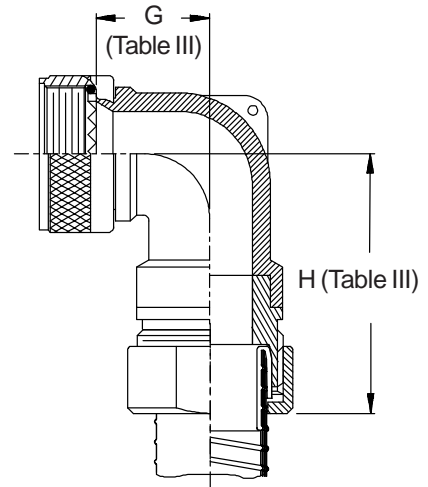
**STYLE 2
 (45° & 90°)**

.88 (22.4)
 Max



E
 (Table III)

F (Table III)



G
 (Table III)

H (Table III)

See inside back cover
 fold-out or pages 13 and
 14 for Tables I and II.

TABLE III: ELBOW DIMENSIONS												
Shell Size				E		F		G		H		
Conn. Desig.	A-F-L-S	H										
				Max		Max		Max		Max		
08	09	.457	(11.6)	1.810	(46.0)	.500	(12.7)	1.820	(46.2)			
10	11	.520	(13.2)	1.870	(47.5)	.595	(15.1)	1.940	(49.3)			
12	13	.582	(14.8)	1.930	(49.0)	.610	(15.5)	1.960	(49.8)			
14	15	.645	(16.4)	2.020	(51.3)	.700	(17.8)	2.030	(51.6)			
16	17	.738	(18.7)	2.130	(54.1)	.885	(22.5)	2.120	(53.8)			
18	19	.926	(23.5)	2.320	(58.9)	.975	(24.8)	2.290	(58.2)			
20	21	.926	(23.5)	2.320	(58.9)	.975	(24.8)	2.290	(58.2)			
22	23	1.020	(25.9)	2.470	(62.7)	1.125	(28.6)	2.400	(61.0)			
24	25	1.020	(25.9)	2.470	(62.7)	1.125	(28.6)	2.400	(61.0)			
28		1.145	(29.1)	2.520	(64.0)	1.225	(31.1)	2.570	(65.3)			
32		1.207	(30.7)	2.620	(66.5)	1.575	(40.0)	2.820	(71.6)			
36		1.238	(31.4)	2.710	(68.8)	1.775	(45.1)	2.820	(71.6)			

TABLE IV: CABLE ENTRY													
Dash No.	Conduit Size (Ref.)	K Dimension (Ref)				L Dimension (Ref)				M Max	N Max Wrench Flats		
		Min	Max	Min	Max	Min	Max	Min	Max				
01	3/8	.484	(12.3)	.504	(12.8)	.690	(17.5)	.710	(18.0)	1.155	(29.3)	1.000	(25.4)
02	1/2	.622	(15.8)	.642	(16.3)	.820	(20.8)	.840	(21.3)	1.282	(32.6)	1.125	(28.6)
03	3/4	.820	(20.8)	.840	(21.3)	1.030	(26.2)	1.050	(26.7)	1.531	(38.9)	1.375	(34.9)
04	1	1.041	(26.4)	1.066	(27.1)	1.290	(32.8)	1.315	(33.4)	1.781	(45.2)	1.625	(41.3)
05	1 1/4	1.380	(35.1)	1.410	(35.8)	1.630	(41.4)	1.660	(42.2)	2.218	(56.3)	2.062	(52.4)
06	1 1/2	1.575	(40.0)	1.600	(40.6)	1.875	(47.6)	1.900	(48.3)	2.468	(62.7)	2.312	(58.7)
07	2	2.020	(51.3)	2.045	(51.9)	2.350	(59.7)	2.375	(60.3)	3.031	(77.0)	2.875	(73.0)

1. When maximum cable entry (page 21) is exceeded, Style 2 will be supplied. Dimensions E, F, G and H will not apply. Please consult factory.
2. Metric dimensions (mm) are indicated in parentheses.
3. Cable range is defined as the accommodations range for the wire bundle or cable. Dimensions shown are not intended for inspection criteria.
4. Consult factory for shorter lengths on straight backshells.
5. O-Ring not supplied with Connector Designator A.
6. Sealtite is a trademark of Anaconda Corp.