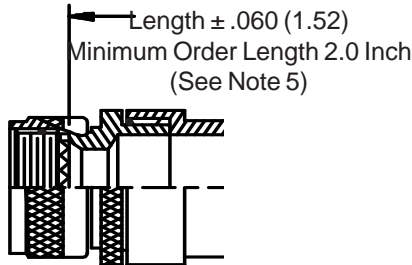
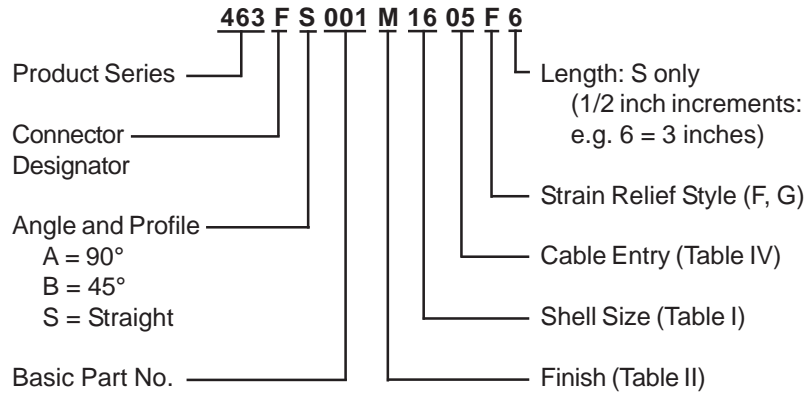
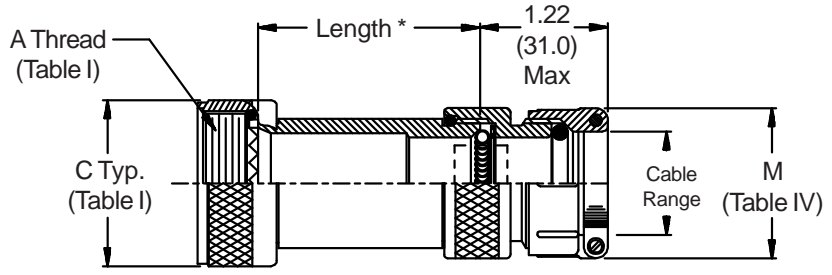


**CONNECTOR  
DESIGNATORS  
A-F-H-L-S  
ROTATABLE  
COUPLING**

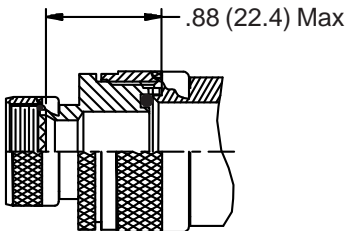


**STYLE 2  
(STRAIGHT  
See Note 1)**

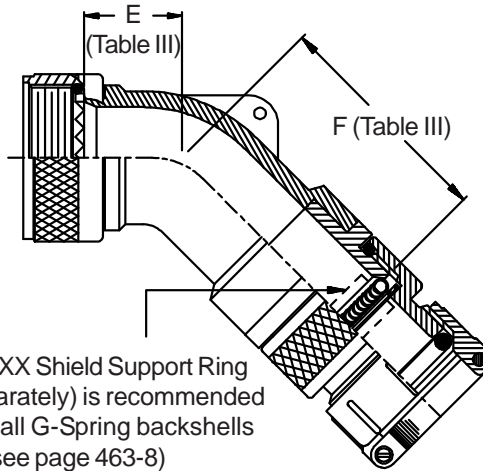


\* Length  $\pm .060$  (1.52)  
Minimum Order Length 1.5 Inch  
(See Note 5)

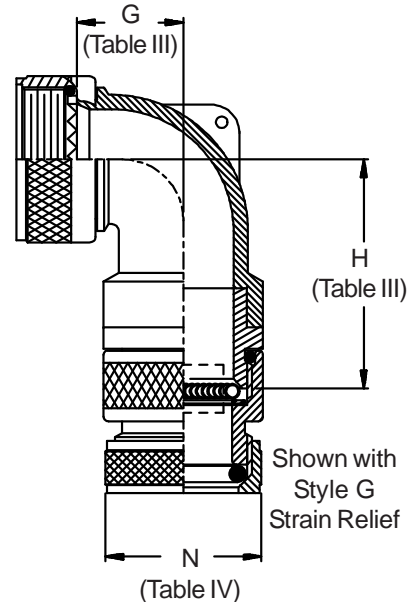
Shown with Style F  
Strain Relief



**STYLE 2  
(45° & 90°  
See Note 1)**



Shown with Style F  
Strain Relief



Shown with  
Style G  
Strain Relief

**463-001**  
**EMI/RFI Environmental G-Spring Backshell**  
**with Strain Relief**  
**Rotatable Coupling - Low Profile**



See inside back cover fold-out or pages 13 and 14 for Tables I and II.

TABLE III: ELBOW DIMENSIONS									
Shell Size		E		F		G		H	
Conn. Desig.	H	Max		Max		Max		Max	
A-F-L-S									
08	09	.413	(10.5)	1.720	(43.7)	.500	(12.7)	1.670	(42.4)
10	11	.520	(13.2)	1.720	(43.7)	.595	(15.1)	1.790	(45.5)
12	13	.582	(14.8)	1.780	(45.2)	.610	(15.5)	1.810	(46.0)
14	15	.645	(16.4)	1.870	(47.5)	.700	(17.8)	1.880	(47.8)
16	17	.738	(18.7)	1.980	(50.3)	.885	(22.5)	1.970	(50.0)
18	19	.926	(23.5)	2.170	(55.1)	.975	(24.8)	2.140	(54.4)
20	21	.926	(23.5)	2.170	(55.1)	.975	(24.8)	2.140	(54.4)
22	23	1.020	(25.9)	2.320	(58.9)	1.125	(28.6)	2.250	(57.2)
24	25	1.020	(25.9)	2.320	(58.9)	1.125	(28.6)	2.250	(57.2)
28		1.145	(29.1)	2.370	(60.2)	1.225	(31.1)	2.420	(61.5)
32		1.207	(30.7)	2.470	(62.7)	1.575	(40.0)	2.670	(67.8)
36		1.238	(31.4)	2.560	(65.0)	1.775	(45.1)	2.670	(67.8)

TABLE IV: CABLE ENTRY								
Dash No.	M Max	N Max	Cable Range					
			Min	Max				
01	.843	(21.4)	.625	(15.9)	.125	(3.2)	.250	(6.4)
02	.968	(24.6)	.750	(19.1)	.156	(4.0)	.375	(9.5)
03	1.046	(26.6)	.875	(22.2)	.250	(6.4)	.438	(11.1)
04	1.156	(29.4)	1.000	(25.4)	.280	(7.1)	.500	(12.7)
05	1.218	(30.9)	1.125	(28.6)	.375	(9.5)	.625	(15.9)
06	1.343	(34.1)	1.250	(31.8)	.500	(12.7)	.750	(19.1)
07	1.468	(37.3)	1.375	(34.9)	.625	(15.9)	.875	(22.2)
08	1.593	(40.5)	1.500	(38.1)	.750	(19.1)	1.000	(25.4)
09	1.718	(43.6)	1.625	(41.3)	.875	(22.2)	1.125	(28.6)
10	1.843	(46.8)	1.750	(44.5)	1.000	(25.4)	1.250	(31.8)
11*	2.187	(55.5)	1.875	(47.6)	1.125	(28.6)	1.375	(34.9)
12*	2.312	(58.7)	2.000	(50.8)	1.250	(31.8)	1.500	(38.1)
13*	2.437	(61.9)	2.125	(54.0)	1.375	(34.9)	1.625	(41.3)
14*	2.546	(64.7)	2.250	(57.2)	1.500	(38.1)	1.750	(44.5)

\* Consult factory for availability

1. Shield Support Ring (469-001-XX) is recommended for use in all G-Spring backshells (see page 463-8).
2. When maximum cable entry (page 21) is exceeded, Style 2 will be supplied. Dimensions E, F, G and H will not apply. Please consult factory.
3. Metric dimensions (mm) are indicated in parentheses.
4. Cable range is defined as the accommodations range for the wire bundle or cable. Dimensions shown are not intended for inspection criteria.
5. Consult factory for shorter lengths on straight backshells.
6. O-Ring not supplied with Connector Designator A.