

507-011 EMI/RFI Banding Backshell for MIL-DTL-81659 Connectors

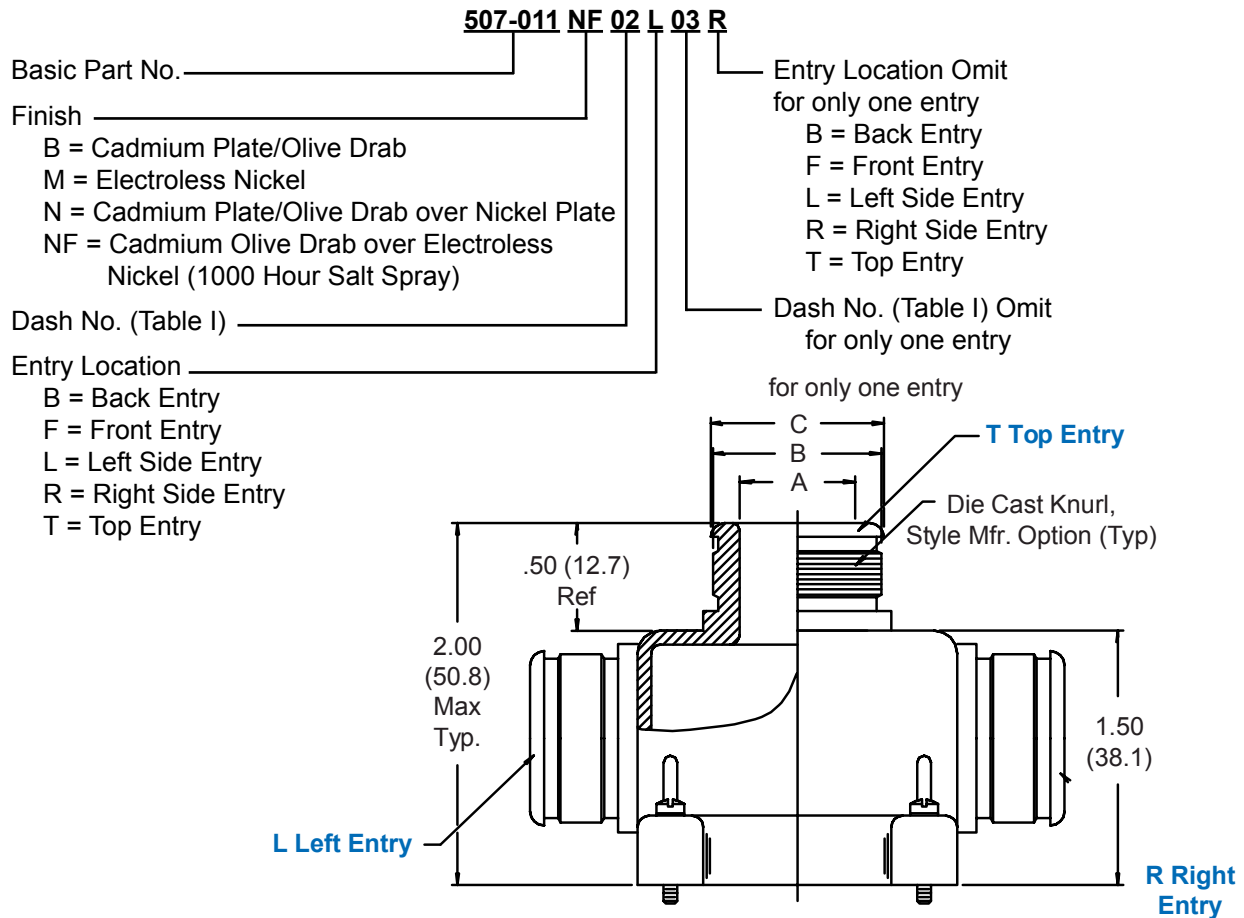


TABLE I: CABLE ENTRY

| Dash No. | A Dia Min | B Dia | C Dia Max |
|----------|-------------|-------------|-------------|
| 01 | .250 (6.4) | .375 (9.5) | .425 (10.8) |
| 02 | .375 (9.5) | .500 (12.7) | .550 (14.0) |
| 03 | .500 (12.7) | .625 (15.9) | .675 (17.1) |
| 04* | .625 (15.9) | .750 (19.1) | .800 (20.3) |
| 05* | .750 (19.1) | .875 (22.2) | .925 (23.5) |

* Not Available in L and R Entries

- Metric dimensions (mm) are indicated in parentheses.
- For effective grounding, connector with conductive finish should be used.
- Material/Finish:
 Backshell = Al Alloy/Finish Per Option
 Hardware = Cres/Passivate
 Gasket = Monel and Neoprene

RFI/EMI Gasket Supplied

