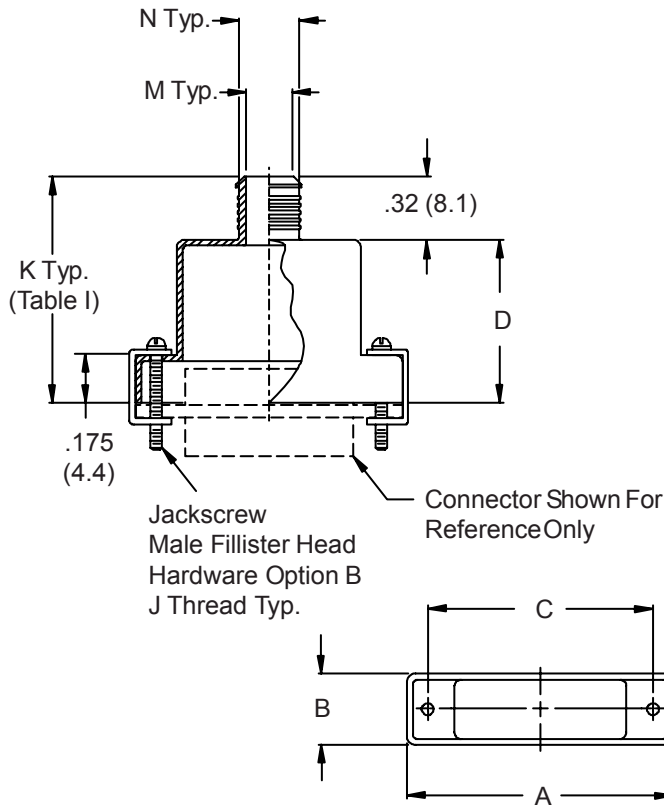
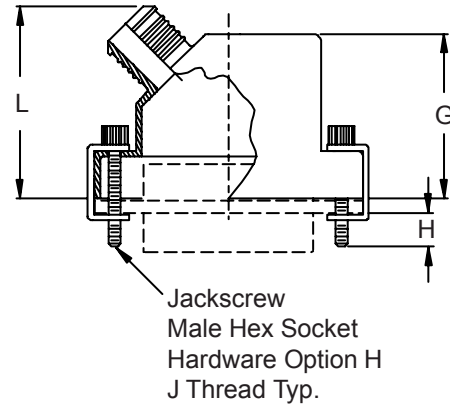


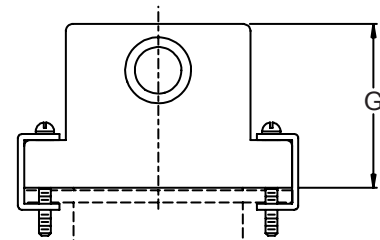
STYLE T - TOP ENTRY



STYLE E - 45° ENTRY

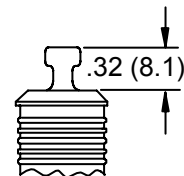


STYLE S - SIDE ENTRY



HOW TO ORDER

| Series | Cable Entry Style | Basic Part No. | Shell Plating | Shell Size (Table I) | Hardware Options * | Cable Entry (Table II) | Qwik-Ty Option | Band Option |
|--------|-------------------|----------------|--|----------------------|-----------------------------|------------------------|--------------------------|---|
| 507 | T - Top | 088 | XM - Electroless Nickel (See Opposite Page) | 9 | B - (2) male fillister head | 04 | S (Omit for Standard) | B 600-057 Band Supplied - (Omit if Not Required) |
| | S - Side | | | 15 | E - (2) extended jackscrew | 05 | | |
| | E - 45° | | | 21 | H - (2) male hex socket | 06 | | |
| | | | | 25 | F - (2) female jackpost | 07 | | |
| | | | | 31 | | 08 | | |
| | | | | 37 | | 09 | | |
| | | | | 51 | | 10 | | |
| | | | | 100 | | 11 | | |
| | | | | | | 12 | | |



Sample Part Number:

| | | | | | | | | |
|-----|---|-----|----|----|---|----|---|---|
| 507 | T | 088 | XM | 21 | B | 06 | S | B |
|-----|---|-----|----|----|---|----|---|---|

* SEE PAGE C-4 FOR COMPLETE INFORMATION

507-088 EMI/RFI Composite Micro-D Banding Backshell



MIL-DTL-83513
Micro-D

Composite shielded backshells offer over 40% weight savings compared to aluminum versions.

These composite backshells meet the requirements of SAE AIR 4567 and MIL-DTL-85049.

Available in a full range of sizes and options, composite backshells are designed for use with Glenair's EMI banding system for shield termination.

Material: High Grade Engineering Thermoplastic

Finish: Electroless Nickel

TABLE I: DIMENSIONS

| SHELL SIZE | A | B | C | D | G |
|------------|--------------|------------|--------------|------------|--------------|
| 09 | .775 (19.7) | .36 (9.1) | .565 (14.4) | .43 (10.9) | .650 (16.5) |
| 15 | .925 (23.5) | .36 (9.1) | .715 (18.2) | .44 (11.2) | .700 (17.8) |
| 21 | 1.075 (27.3) | .36 (9.1) | .865 (22.0) | .56 (14.2) | .735 (18.7) |
| 25 | 1.175 (29.8) | .36 (9.1) | .965 (24.5) | .62 (15.7) | .800 (20.3) |
| 31 | 1.325 (33.7) | .36 (9.1) | 1.115 (28.3) | .68 (17.3) | .860 (21.8) |
| 37 | 1.475 (37.5) | .36 (9.1) | 1.265 (32.1) | .72 (18.3) | .925 (23.5) |
| 51 | 1.425 (36.2) | .40 (10.2) | 1.215 (30.9) | .75 (19.1) | .975 (24.8) |
| 100 | 2.160 (54.9) | .45 (11.4) | 1.800 (45.7) | .81 (20.6) | 1.050 (26.7) |

| SHELL SIZE | H REF | J THREAD | K ±.03 (0.8) | L MAX |
|------------|------------|------------|--------------|-------------|
| 09 | .154 (3.9) | 2-56 UNC-2 | .75 (19.1) | 1.00 (25.4) |
| 15 | .154 (3.9) | 2-56 UNC-2 | .76 (19.3) | 1.03 (26.2) |
| 21 | .154 (3.9) | 2-56 UNC-2 | .88 (22.4) | 1.05 (26.7) |
| 25 | .154 (3.9) | 2-56 UNC-2 | .94 (23.9) | 1.09 (27.7) |
| 31 | .154 (3.9) | 2-56 UNC-2 | 1.00 (25.4) | 1.13 (28.7) |
| 37 | .154 (3.9) | 2-56 UNC-2 | 1.04 (26.4) | 1.16 (29.5) |
| 51 | .154 (3.9) | 2-56 UNC-2 | 1.07 (27.2) | 1.25 (31.8) |
| 100 | .184 (4.7) | 4-40 UNC-2 | 1.13 (28.7) | 1.32 (33.5) |

TABLE II: CABLE ENTRY

| Cable Entry | Shell Size | M Entry Dia | N Dia |
|-------------|-------------|-------------|-------------|
| 04 | 09 THRU 100 | .125 (3.2) | .219 (5.6) |
| 05 | 09 THRU 100 | .156 (4.0) | .250 (6.4) |
| 06 | 09 THRU 100 | .188 (4.8) | .281 (7.1) |
| 07 | 09 THRU 100 | .219 (5.6) | .313 (8.0) |
| 08 | 09 THRU 100 | .250 (6.4) | .344 (8.7) |
| 09 | 31 THRU 100 | .281 (7.1) | .375 (9.5) |
| 10 | 51 THRU 100 | .312 (7.9) | .406 (10.3) |
| 11 | 100 ONLY | .344 (8.7) | .438 (11.1) |
| 12 | 100 ONLY | .375 (9.5) | .469 (11.9) |

Metric dimensions (mm) are indicated in parentheses.