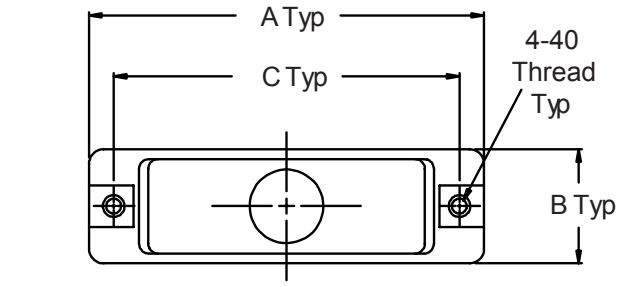
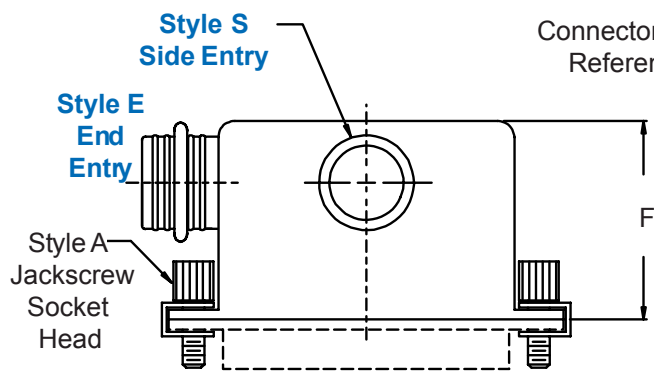
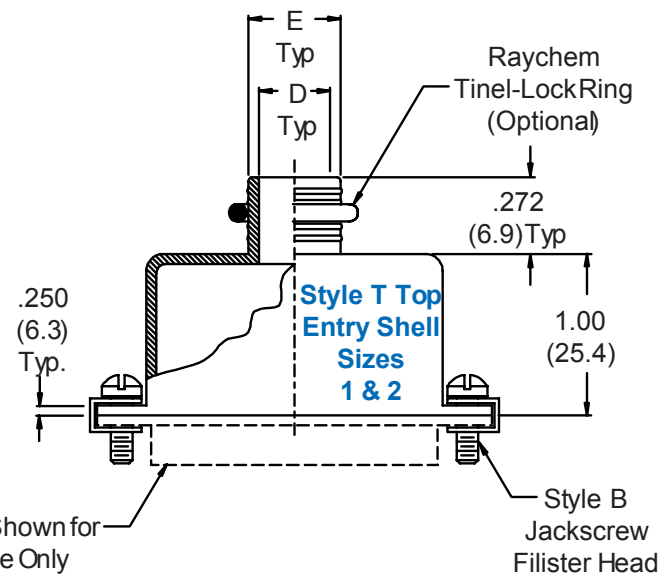
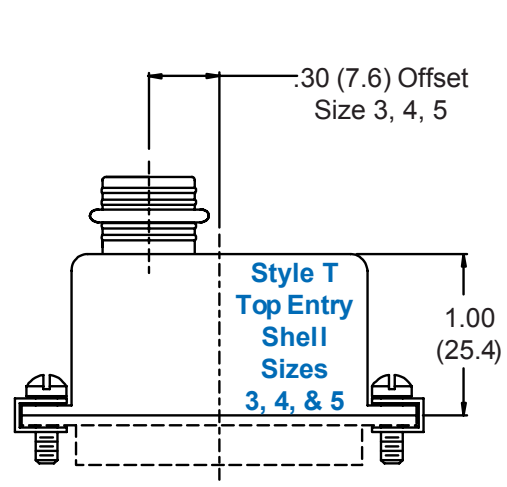
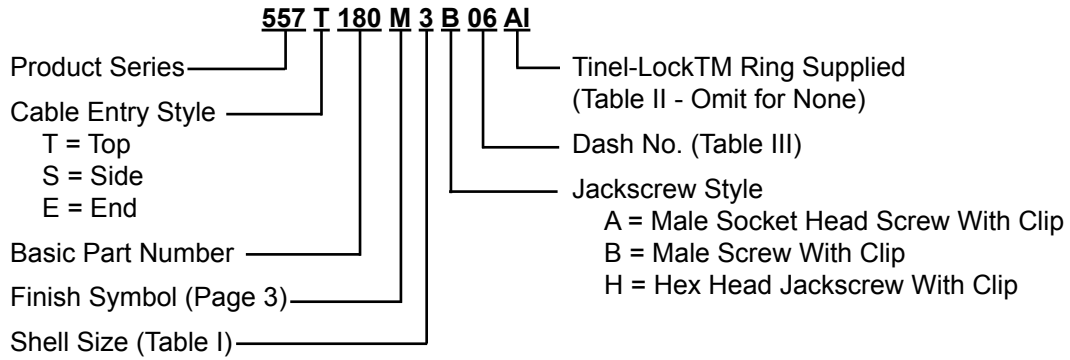


# 557-180 D-Subminiature Solid Tinel-Lock™ Banding Backshell



Connector Shown for Reference Only

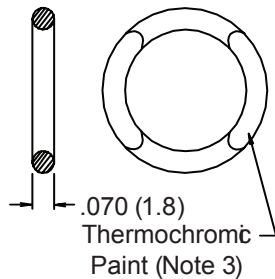
**557-180**  
**D-Subminiature Solid**  
**Tinel-Lock™ Banding Backshell**



MIL-DTL-24308  
D-Subminiature

**TABLE I: SHELL SIZE AND CONNECTOR INTERFACE DIMENSIONS**

| Shell Size | Com'l Shell Size |  | A           | B           | C<br>±.005 (.1) |
|------------|------------------|--|-------------|-------------|-----------------|
|            | Ref              |  |             |             |                 |
| 1          | E/09             |  | 1.20 (30.6) | .500 (12.7) | .984 (25.0)     |
| 2          | A/15             |  | 1.53 (38.9) | .500 (12.7) | 1.312 (33.3)    |
| 3          | B/25             |  | 2.08 (52.8) | .500 (12.7) | 1.852 (47.0)    |
| 4          | C/37             |  | 2.72 (69.0) | .500 (12.7) | 2.500 (63.5)    |
| 5          | D/50             |  | 2.63 (66.7) | .609 (15.5) | 2.406 (61.1)    |



**Tinel-Lock™ Ring Option (See Table II)**

**TABLE II: TINEL-LOCK™ RING**

| Braid Type          | Ring Desig. |
|---------------------|-------------|
| Single Layer 36 AWG | AI          |
| Single Layer 34 AWG | AI          |
| Single Layer 32 AWG | BI          |
| Single Layer 30 AWG | BI          |
| Double Layer 36 AWG | BI          |
| Double Layer 34 AWG | BI          |
| Double Layer 32 AWG | CI          |

**TABLE III: CABLE ENTRY**

| Dash No. | D Dia       | E Dia Max   | F Dim       | Tinel-Lock™ Ring Entry Size |
|----------|-------------|-------------|-------------|-----------------------------|
| 04       | .250 (6.4)  | .375 (9.5)  | 1.25 (31.8) | 04                          |
| 05       | .312 (7.9)  | .437 (11.1) | 1.38 (35.1) | 05                          |
| 06       | .375 (9.5)  | .500 (12.7) | 1.38 (35.1) | 06                          |
| 07       | .437 (11.1) | .625 (15.9) | 1.50 (38.1) | 08                          |
| 08*      | .500 (12.7) | .750 (19.1) | 1.50 (38.1) | 10                          |

\* Available in Shell Size 5 Only.

1. Metric dimensions (mm) are indicated in parentheses.
2. **DO NOT USE CONNECTORS WITH FLOAT MOUNTINGS.**
3. The Tinel-Lock™ Ring designator must be specified according to the type of cable braid used. Tinel-Lock™ Rings are marked with thermochromic paint which changes color when the correct installation temperature is reached. BI rings are identified with a red spot. CI rings are identified with a blue spot.