

620-053 Backshell Accessory Thread Strain Reliefs



620-053 M 16 A

Basic Part No. _____

Finish (Table II) _____

Clamp Style _____

Dash No. _____

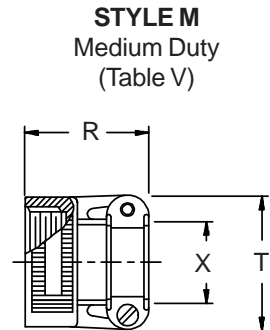
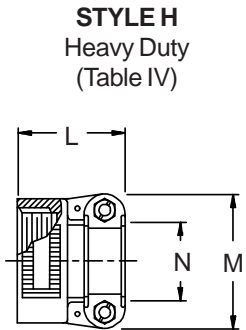
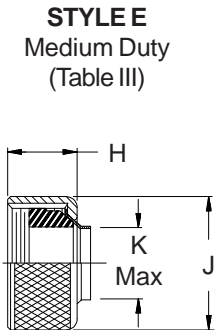
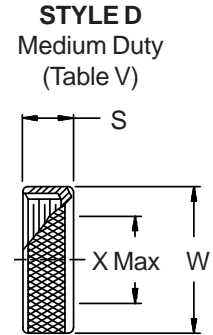
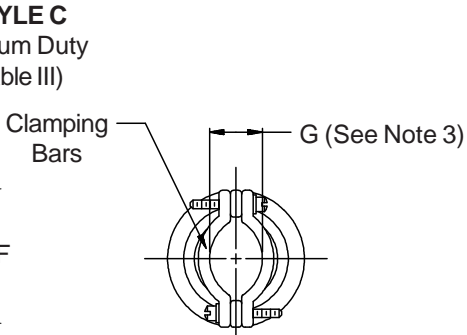
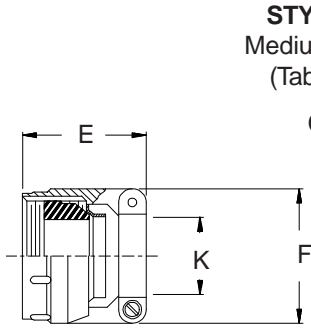
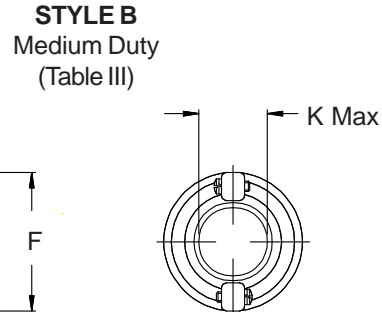
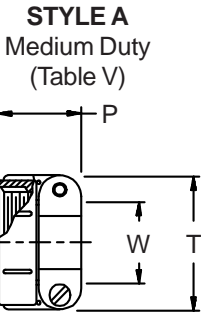


TABLE III: CABLE ENTRY

Dash No.	D		E		F		G		H		J		K - Cable Range			
	Max		Max		Max		Ref		Max		Max		Min *	Max		
03	1.031	(26.2)	1.375	(34.9)	.812	(20.6)	.135	(3.4)	.781	(19.8)	.812	(20.6)	.156	(4.0)	.219	(5.6)
04	1.031	(26.2)	1.375	(34.9)	.937	(23.8)	.203	(5.2)	.781	(19.8)	.937	(23.8)	.188	(4.8)	.312	(7.9)
06	1.031	(26.2)	1.375	(34.9)	1.062	(27.0)	.285	(7.2)	.781	(19.8)	1.062	(27.0)	.281	(7.1)	.438	(11.1)
08	1.031	(26.2)	1.375	(34.9)	1.188	(30.2)	.350	(8.9)	.781	(19.8)	1.188	(30.2)	.312	(7.9)	.531	(13.5)
10	1.094	(27.8)	1.437	(36.5)	1.312	(33.3)	.390	(9.9)	.844	(21.4)	1.312	(33.3)	.375	(9.5)	.625	(15.9)
12	1.219	(31.0)	1.437	(36.5)	1.562	(39.7)	.460	(11.7)	.875	(22.2)	1.562	(39.7)	.500	(12.7)	.750	(19.1)
16	1.219	(31.0)	1.562	(39.7)	1.750	(44.5)	.510	(13.0)	.875	(22.2)	1.750	(44.5)	.625	(15.9)	.938	(23.8)
20	1.344	(34.1)	1.812	(46.0)	2.250	(57.2)	.695	(17.7)	.969	(24.6)	2.250	(57.2)	.938	(23.8)	1.250	(31.8)
24	1.547	(39.3)	2.062	(52.4)	2.375	(60.3)	.715	(18.2)	1.188	(30.2)	2.375	(60.3)	1.000	(25.4)	1.375	(34.9)
28	1.547	(39.3)	2.062	(52.4)	2.625	(66.7)	.915	(23.2)	1.188	(30.2)	2.625	(66.7)	1.250	(31.8)	1.625	(41.3)
32	1.734	(44.0)	2.188	(55.6)	2.812	(71.4)	1.070	(27.2)	1.375	(34.9)	2.812	(71.4)	1.500	(38.1)	1.875	(47.6)

* Not Applicable Styles B and E

TABLE IV: CABLE ENTRY

Dash No.	L		M		N - Cable Range			
	Max		Max		Min		Max	
04	1.312	(33.3)	.957	(24.3)	.125	(3.2)	.312	(7.9)
06	1.312	(33.3)	1.145	(29.1)	.250	(6.4)	.437	(11.1)
08	1.312	(33.3)	1.332	(33.8)	.312	(7.9)	.562	(14.3)
10	1.312	(33.3)	1.332	(33.8)	.350	(8.9)	.625	(15.9)
12	1.344	(34.1)	1.551	(39.4)	.500	(12.7)	.750	(19.1)
16	1.438	(36.5)	1.770	(45.0)	.625	(15.9)	.937	(23.8)
20	1.625	(41.3)	2.113	(53.7)	.875	(22.2)	1.250	(31.8)
24	1.688	(42.9)	2.363	(60.0)	1.000	(25.4)	1.375	(34.9)
28	1.938	(49.2)	2.770	(70.4)	1.250	(31.8)	1.625	(41.3)
32	1.938	(49.2)	3.020	(76.7)	1.437	(36.5)	1.875	(47.6)

See inside back cover fold-out or page 14 for Table II.

1. Metric dimensions (mm) are indicated in parentheses.
2. Cable range is defined as the accommodations range for the wire bundle or cable. Dimensions shown are not intended for inspection criteria.
3. Style C saddles are bottomed on clamp ears.

TABLE V: CABLE ENTRY

Dash No.	P		R		S		T		W		X - Cable Range			
	Max		Max		Max		Max		Max		Min **	Max		
03*	.844	(21.4)	n/a		.562	(14.3)	.843	(21.4)	.630	(16.0)	.156	(4.0)	.250	(6.4)
04*	.844	(21.4)	n/a		.562	(14.3)	.906	(23.0)	.755	(19.2)	.188	(4.8)	.312	(7.9)
06*	.906	(23.0)	n/a		.562	(14.3)	1.093	(27.8)	.942	(23.9)	.281	(7.1)	.438	(11.1)
08	.969	(24.6)	1.312	(33.3)	.562	(14.3)	1.187	(30.1)	1.067	(27.1)	.344	(8.7)	.562	(14.3)
10	.969	(24.6)	1.312	(33.3)	.562	(14.3)	1.281	(32.5)	1.192	(30.3)	.375	(9.5)	.625	(15.9)
12	.969	(24.6)	1.344	(34.1)	.562	(14.3)	1.500	(38.1)	1.380	(35.1)	.438	(11.1)	.750	(19.1)
16	1.062	(27.0)	1.688	(42.9)	.562	(14.3)	1.719	(43.7)	1.535	(39.0)	.562	(14.3)	.938	(23.8)
20	1.125	(28.6)	1.906	(48.4)	.562	(14.3)	2.062	(52.4)	1.848	(46.9)	.750	(19.1)	1.250	(31.8)
24	1.188	(30.2)	1.906	(48.4)	.594	(15.1)	2.312	(58.7)	2.255	(57.3)	.781	(19.8)	1.375	(34.9)
28	1.719	(43.7)	2.125	(54.0)	.594	(15.1)	2.719	(69.1)	2.505	(63.6)	.969	(24.6)	1.625	(41.3)
32*	1.781	(45.2)	n/a		.750	(19.1)	2.969	(75.4)	2.755	(70.0)	1.125	(28.6)	1.875	(47.6)
40*	1.781	(45.2)	n/a		.812	(20.6)	3.531	(89.7)	3.255	(82.7)	1.469	(37.3)	2.375	(60.3)

* Not available in Style M clamp.

** Not Applicable Style D