

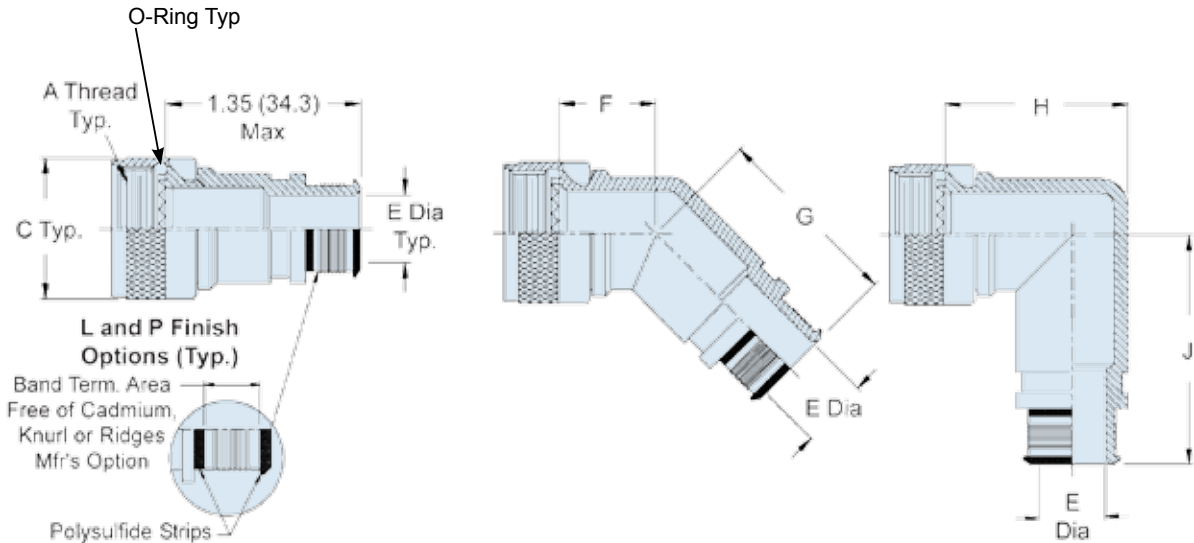
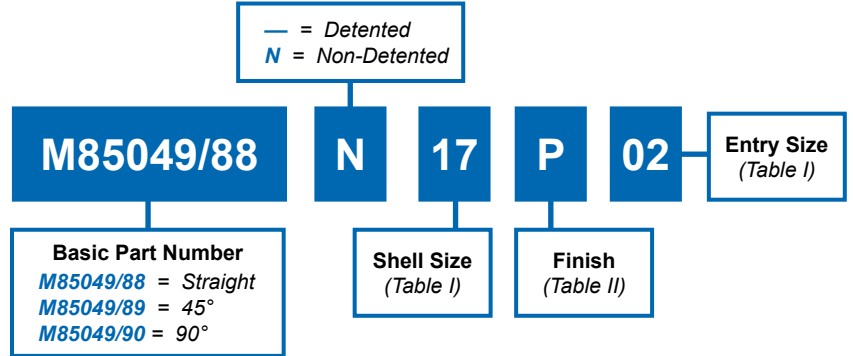
# AS85049/88, AS85049/89 and AS85049/90 Straight, 45° and 90° Banding Backshells with Self-Locking Coupling



AS85049

B

CONNECTOR DESIGNATOR:	
<b>H</b>	MIL-DTL-38999 Series III and IV EN3645



APPLICATION NOTES
1. Assembly identified with manufacturer's name and part number, space permitting.
2. For complete dimensions, see the applicable Military Specification.
3. Metric dimensions (mm) are in parentheses.
4. For use with AS85049/128 Bands.

Dimensions in inches (millimeters) and are subject to change without notice.



## AS85049/88, AS85049/89 and AS85049/90 Straight, 45° and 90° Banding Backshells with Self-Locking Coupling

**TABLE I: Shell Size, Cable Entry and Backshell Dimensions**

Shell Size	A Thread Class 2B	C Dia Max	E Dia Cable Entry Size 02 ±.010 (0.30)	E Dia Cable Entry Size 03 ±.010 (0.30)	F Max	G Max	H Max	J Max
9	M12 X 1 - 6H	.860 (21.8)	N/A	.250 (6.4)	1.010 (25.7)	1.160 (29.5)	1.375 (34.9)	1.417 (36.0)
11	M15 X 1 - 6H	.990 (25.1)	N/A	.312 (7.9)	1.030 (26.2)	1.190 (30.2)	1.437 (36.5)	1.480 (37.6)
13	M18 X 1 - 6H	1.160 (29.5)	.312 (7.9)	.438 (11.1)	1.060 (26.9)	1.210 (30.7)	1.562 (39.7)	1.553 (39.4)
15	M22 X 1 - 6H	1.280 (32.5)	.438 (11.1)	.562 (14.3)	1.080 (27.4)	1.240 (31.5)	1.687 (42.8)	1.614 (41.0)
17	M25 X 1 - 6H	1.410 (35.8)	.500 (12.7)	.625 (15.9)	1.110 (28.2)	1.260 (32.0)	1.750 (44.5)	1.678 (42.6)
19	M28 X 1 - 6H	1.520 (38.6)	.625 (15.9)	.750 (19.1)	1.120 (28.4)	1.270 (32.3)	1.875 (47.6)	1.733 (44.0)
21	M31 X 1 - 6H	1.640 (41.7)	.625 (15.9)	.812 (20.6)	1.150 (29.2)	1.300 (33.0)	1.938 (49.2)	1.796 (45.6)
23	M34 X 1 - 6H	1.770 (45.0)	.688 (17.5)	.938 (23.8)	1.170 (29.7)	1.330 (33.8)	2.062 (52.4)	1.859 (47.2)
25	M37 X 1 - 6H	1.890 (48.0)	.750 (19.1)	1.000 (25.4)	1.200 (30.5)	1.350 (34.3)	2.125 (54.0)	1.919 (48.7)

**TABLE II: Finish and Material**

Aluminum	Composite	Finish Description
G	Not Available	Electroless Nickel (Space Grade)
N	M	Electroless Nickel
P	L	Cadmium Olive Drab over Electroless Nickel, Selective Plating
W	J	Cadmium Olive Drab
X	XC	Nickel Fluorocarbon Polymer
YP	YL	Pure Dense Electrodeposited Aluminum, Selective Plating
Z	ZC	Zinc Nickel
ZP	ZL	Zinc Nickel, Selective Plating

Dimensions in inches (millimeters) and are subject to change without notice.