



THE WORLD'S MOST COMPLETE SELECTION OF MIL-SPEC

BACKSHELLS

AND CONNECTOR ACCESSORIES—FROM AS85049 TO MIL-DTL-38999

NOVEMBER 2013

QUALIFIED
MIL-SPEC

Connector Backshells and Accessories

*Tens of thousands of parts in-stock
and ready for immediate shipment*



Most customers have a simple expectation when they go shopping for safety-critical interconnect components: they want fast and accurate service. Glenair stocks tens of thousands of qualified mil-spec backshells and connector accessories—bagged and tagged and ready for immediate shipment. In fact, Glenair is the world's largest manufacturer and supplier of mil-spec backshells and connector accessories with more listed QPL's and more manufacturing experience than any other supplier. You have a simple expectation: fast and accurate service. At Glenair, we're ready to give you exactly that. It's a promise.



Glenair, Inc.
1211 Air Way
Glendale, CA
91201-2497
818-247-6000
sales@glenair.com
www.glenair.com



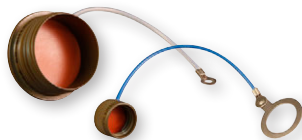
Part Number Index and Introduction

A



AS85049 Qualified Backshells and Connector Accessories

B



MIL-DTL-38999 Qualified Connector Accessories

C



MIL-DTL-28840 Qualified Backshells and Connector Accessories

D



MIL-DTL-83723 Qualified Backshells and Connector Accessories

E



AS81511 Qualified Backshells and Connector Accessories

F



Miscellaneous Qualified Backshells and Connector Accessories

G



Backshell-to-Connector Assembly Tools

H



Quick-Reference Part Number Index

J

Dimensions in inches (millimeters) and are subject to change without notice.



Military Standard Backshells and Accessories Part and Page Number Index

A

SECTION B • AS85049 QUALIFIED PRODUCTS • SECTION B

| Industry Specification Number | Part Identification Number | Military Part Number Superseded | Glenair Commercial Part Number | Description | Glenair Connector Designator/Interface | Page No. |
|-------------------------------|--|---|--|--|--|---|
| AS85049/1 | M85049/1 | MS3057 "B" | 620-053 Style B | Straight Strain Relief | MS "V" Thread | B-2 |
| AS85049/2 | M85049/2 | MS3057 "C" | 620-053 Style C | Straight Environmental Strain Relief | MS "V" Thread | B-3 |
| AS85049/3 | M85049/3 Style 1 M85049/3 Style 2 M85049/3 Style 3 | MS17340/MS90571 Style 1 MS17340/MS90571 Style 2 MS17340/MS90571 Style 3 | GS85049/3 377 | Straight Environmental Backshell | "C" MIL-DTL-22992, C, J & R | B-4 B-5 B-6 |
| AS85049/4 | M85049/4 Style 1 M85049/4 Style 2 M85049/4 Style 3 | MS17342/MS90569 Style 1 MS17342/MS90569 Style 2 MS17342/MS90569 Style 3 | GS85049/4 377 | Straight Step-Up Environmental Backshell | "C" MIL-DTL-22992, C, J & R | B-7 B-9 B-11 |
| AS85049/5 | M85049/5 Style 1 M85049/5 Style 2 M85049/5 Style 3 | MS17341/MS90570 Style 1 MS17341/MS90570 Style 2 MS17341/MS90570 Style 3 | 377-034 | Straight Step-Down Environmental Backshell | "C" MIL-DTL-22992, C, J & R | B-13 B-15 B-17 |
| AS85049/6 | M85049/6 | MS3189A | 390AB001 | 45° RFI/EMI Environmental Backshell | "A" AS50151; MIL-DTL-26482, Series 2; AS81703 Series 3; MIL-DTL-83723, Series III | B-19 |
| AS85049/7 | M85049/7 | MS3189B | 370AB001 | 45° Environmental Backshell | "A" AS50151; MIL-DTL-26482, Series 2; AS81703 Series 3; MIL-DTL-83723, Series III | B-21 |
| AS85049/8 | M85049/8 | MS3188A | 390AA001 | 90° RFI/EMI Environmental Backshell | "A" AS50151; MIL-DTL-26482, Series 2; AS81703 Series 3; MIL-DTL-83723, Series III | B-23 |
| AS85049/9 | M85049/9 | MS3188B | 360-061 | 90° Environmental Backshell | "A" AS50151; MIL-DTL-26482, Series 2; AS81703 Series 3; MIL-DTL-83723, Series III | B-25 |
| AS85049/10 | M85049/10 | MS3437A | 390AS001 | Straight RFI/EMI Environmental Backshell | "A" AS50151; MIL-DTL-26482, Series 2; AS81703 Series 3; MIL-DTL-83723, Series III | B-27 |
| AS85049/11 | M85049/11 | MS3437B | 370AS001 | Straight Environmental Backshell | "A" AS50151; MIL-DTL-26482, Series 2; AS81703 Series 3; MIL-DTL-83723, Series III | B-31 |
| AS85049/14 | M85049/14- M85049/14 N M85049/14 S | MIL-C-85049/14 | 610HS011 | E Nut E Nut, Non-Detented, Self Locking E Nut, Detented, Self-Locking | "H" MIL-DTL-38999, Ser. III & IV EN3645 | B-35 |
| AS85049/15 | M85049/15- M85049/15 N M85049/15 S M85049/15 G M85049/15 H | MIL-C-85049/15 | 450HB001 450HB041 450HB043 450HB043 "G" 450HB041 "G" | 45° Qwik-Ty® Strain Relief Non-Detented, Self-Locking Detented Self-Locking Detented, Self-Locking, Ground Lug Non-Detented Self-Locking, Ground Lug | "H" MIL-DTL-38999, Ser. III & IV; EN3645 | B-36 |
| AS85049/16 | M85049/16- M85049/16 N M85049/16 S M85049/16 G M85049/16 H | MIL-C-85049/16 | 450HA001 450HA041 450HA043 450HA043 "G" 450HA041 "G" | 90° Qwik-Ty® Strain Relief Non-Detented, Self-Locking Detented Self-Locking Detented, Self-Locking, Ground Lug Non-Detented Self-Locking, Ground Lug | "H" MIL-DTL-38999, Ser. III & IV; EN3645 | B-36 |
| AS85049/17 | M85049/17 | MIL-C-38999/5 | 390FS012 | Straight RFI/EMI Environmental Backshell | "F" MIL-DTL-38999 Series I & II | B-37 |
| AS85049/18 | M85049/18 | MIL-C-85049/18 | 390HS011 | Straight RFI/EMI Environmental Backshell | "H" MIL-DTL-38999, Ser. III & IV; EN3645 | B-38 |
| AS85049/19 | M85049/19 | MIL-C-85049/19 | 380HS007 | Straight Environmental Backshell | "H" MIL-DTL-38999, Ser. III & IV; EN3645 | B-39 |

Dimensions in inches (millimeters) and are subject to change without notice.
Mil-Spec Backshells and Accessories U.S. CAGE Code 06324

Rev. 5/30/14

© 2013 Glenair, Inc.

Printed in U.S.A.

Military Standard Backshells and Accessories Part and Page Number Index



SECTION B • AS85049 QUALIFIED PRODUCTS • SECTION B

| Industry Specification Number | Part Identification Number | Military Part Number Superseded | Glenair Commercial Part Number | Description | Glenair Connector Designator/Interface | Page No. |
|-------------------------------|---|--------------------------------------|--------------------------------|--|--|--------------|
| AS85049/20 | M85049/20 | MIL-C-85049/20 | 440HS063 | Straight Crimp Ring Backshell and Crimp Ring | "H" MIL-DTL-38999, Ser. III & IV; EN3645 | B-41 |
| AS85049/21 | M85049/21 | MIL-C-85049/21 | 360HS002 | Straight Non-Environmental Strain Relief Backshell | "H" MIL-DTL-38999, Ser. III & IV; EN3645 | B-42 |
| AS85049/23 | M85049/23 | MS3189C | 380AB001 | 45° RFI-EMI Non-Environmental Backshell | "A" AS50151; MIL-DTL-26482, Series 2; AS81703 Series 3; MIL-DTL-83723, Series III | B-43 |
| AS85049/24 | M85049/24 | MS3188C | 390AA001 | 90° RFI-EMI Non-Environmental Backshell | "A" AS50151; MIL-DTL-26482, Series 2; AS81703 Series 3; MIL-DTL-83723, Series III | B-45 |
| AS85049/25 | M85049/25 | MS3437C | 380AS001 | Straight RFI-EMI Non-Environmental Backshell | "A" AS50151; MIL-DTL-26482, Series 2; AS81703 Series 3; MIL-DTL-83723, Series III | B-47 |
| AS85049/26 | M85049/26-1 M85049/26-2 M85049/26-3 | MS3419 MS3161 MIL-C-85049/26-3 | 440AS063 687-150 | Adapter Only Crimp Ring Only Adapter with Crimp Ring | "A" AS50151; MIL-DTL-26482, Series 2; AS81703 Series 3; MIL-DTL-83723, Series III | B-51 B-52 |
| AS85049/27 | M85049/27- M85049/27 N M85049/27 S | MIL-DTL-38999/1 | 610FS011 | E Nut E Nut, Non-Detented, Self-Locking E Nut, Detented, Self-Locking | "F" MIL-DTL-38999 Series I & II | B-53 |
| AS85049/28 | M85049/28 | M83733/15 | G61570 | Strt. Rectangular Non-Environmental Backshell | --- | B-54 |
| AS85049/29 | M85049/29 | MIL-DTL-38999/6 | 360FS002 | Straight Non-Environmental Strain Relief Backshell | "F" MIL-DTL-38999 Series I & II | B-55 |
| AS85049/30 | M85049/30 | MIL-DTL-38999/4 | 400FS001 | Straight RFI-EMI Individual Shield Termination Backshell | "F" MIL-DTL-38999 Series I & II | B-56 |
| AS85049/31 | M85049/31- M85049/31 N M85049/31 S | MS3416 | 610AS011 | E Nut E Nut, Non-Detented, Self-Locking E Nut, Detented, Self Locking | "A" AS50151; MIL-DTL-26482, Series 2; AS81703 Series 3; MIL-DTL-83723, Series III | B-57 |
| AS85049/33 | M85049/33-2 | MIL-DTL-38999/2 | 440FS063 | Straight Crimp Ring Non-Environmental Backshell | "F" MIL-DTL-38999 Series I & II | B-58 |
| AS85049/34 | M85049/34 | MS3484 | 320 | Straight Adapter and Extender For use with MS3114 & MS3124 Connectors | "D" MIL-DTL-26482 Series I | B-59 |
| AS85049/36 | M85049/36 | MIL-DTL-38999/7 | 380FS008 | Straight RFI-EMI Non-Environmental Backshell | "F" MIL-DTL-38999 Series I & II | B-60 |
| AS85049/37 | M85049/37 | MIL-DTL-38999/8 | 380FD007 | 90° RFI-EMI Non-Environmental Backshell | "F" MIL-DTL-38999 Series I & II | B-61 |
| AS85049/38 | M85049/38 N M85049/38 S | MIL-C-85049/38- | 620HS011 620HS048 | Str. Strain Relief, Non-Detented Self-Locking Straight Strain Relief, Detented Self-Locking | "H" MIL-DTL-38999 Series III & IV EN3645 | B-62 |
| AS85049/39 | M85049/39 | MIL-C-85049/39 | 620HA011 620HA048 | 90° Strain Relief, Non-Detented Self-Locking 90° Strain Relief, Detented Self-Locking | "H" MIL-DTL-38999 Series III & IV; EN3645 | B-63 |
| AS85049/41 | M85049/41 | MS3057A | 620-053 Style A | Straight Strain Relief | MS "V" Thread | B-64 |
| AS85049/42 | M85049/42 | MS3057D | 620-053 Style H | Straight Strain Relief | MS "V" Thread | B-65 |
| AS85049/43 | M85049/43 | MS3415 | 620AB047 | 45° Strain Relief | --- | B-66 |
| AS85049/44 | M85049/44 | M83733/16 | G61257 | Straight Rectangular Strain Relief Backshell | --- | B-67 |
| AS85049/45 | M85049/45 | MS27663 | 440FS037 | Straight Strain Relief | "F" MIL-DTL-38999 Series I & II | B-68 |
| AS85049/46 | M85049/46 | MS27663 | 440FA037 | 90° Non-Self-Locking Composite Strain Relief | "F" MIL-DTL-38999 Series I & II | B-69 |

Dimensions in inches (millimeters) and are subject to change without notice.



Military Standard Backshells and Accessories Part and Page Number Index

SECTION B • AS85049 QUALIFIED PRODUCTS • SECTION B

| Industry Specification Number | Part Identification Number | Military Part Number Superseded | Glenair Commercial Part Number | Description | Glenair Connector Designator/Interface | Page No. |
|--|---|-------------------------------------|----------------------------------|---|--|---|
| AS85049/47 | M85049/47 | MS27507 | 620FA012 | 90° Self-Locking or Non-Self-Locking Strain Relief | "F" MIL-DTL-38999 Series I & II | B-70 |
| AS85049/48 | M85049/48-1 M85049/48-2 M85049/48-3 | M24308/20 M24308/21 M24308/22 | GS85049/48 550/557 | Rectangular Strain Relief Backshell | MIL-DTL-24308 | B-71 B-72 B-73 |
| AS85049/49 | M85049/49-2 | MS27506 | 620FS054 | Straight Strain Relief | "F" MIL-DTL-38999 Series I & II | B-74 |
| AS85049/50 | M85049/50 | MS24308/19 | GS85049/50 550/557 | Rectangular Strain Relief Backshell | MIL-DTL-24308 | B-75 |
| AS85049/51 | M85049/51 | MS3418 | 620AA046 | 90° Self-Locking or Non-Self-Locking Strain Relief | "A" AS50151; MIL-DTL-26482, Series 2; AS81703 Series 3; MIL-DTL-83723, Series III | B-76 |
| AS85049/52 | M85049/52 | MS3417 | 620AS046 | Straight Self-Locking or Non-Self-Locking Strain Relief | "A" AS50151; MIL-DTL-26482, Series 2; AS81703 Series 3; MIL-DTL-83723, Series III | B-77 |
| AS85049/53 AS85049/54 AS85049/55 | M85049/53 M85049/54 M85049/55 | MS3152 MS3153 MS3154 | 450AS001 450BS001 450AA001 | Straight Qwik-Ty® Strain Relief 45° Qwik-Ty® Strain Relief 90° Qwik-Ty® Strain Relief | "A" AS50151; MIL-DTL-26482, Series 2; AS81703 Series 3; MIL-DTL-83723, Series III | B-78 |
| AS85049/56 AS85049/57 | M85049/56 M85049/57 | MS27668 MS27669 | 450FS001 450FB001 | Straight Qwik-Ty® Strain Relief 45° Qwik-Ty® Strain Relief | "F" MIL-DTL-38999 Ser. I & II | B-79 |
| AS85049/58 | M85049/58 | MS27485 | GS85049/58 310 | Potting Boot Ring | "F" MIL-DTL-38999 Ser. I & II | B-80 |
| AS85049/59 | M85049/59 | MS90568 | 310CS002 | Straight Shrink Boot Adapter | "C" MIL-DTL-22992 | B-81 |
| AS85049/60 | M85049/60-1 M85049/60-2G | MS3158 MS3416 | 310AS001 310AS002 | Straight Shrink Boot Adapter Straight Shrink Boot Adapter | "A" AS50151; MIL-DTL-26482, Series 2; AS81703 Series 3; MIL-DTL-83723, Series III | B-82 B-83 |
| AS85049/61 | M85049/61 | MS27332 | GS85049/61 310 | Potting Boot Ring | MIL-DTL-27599 | B-84 |
| AS85049/62 | M85049/62 | M38999/2 | 310FS001 | Straight Shrink Boot Adapter | "F" MIL-DTL-38999 Ser. I & II | B-85 |
| AS85049/63 | M85049/63 | MS27670 | 450FA001 | 90° Qwik-Ty® Strain Relief | "F" MIL-DTL-38999 Ser. I & II | B-86 |
| AS85049/69 | M85049/69 | MIL-C-85049/69 | 310HS001 | Straight Shrink Boot Adapter | "H" MIL-DTL-38999 Ser. III & IV EN3645 | B-87 |
| AS85049/74 | M85049/74 | MS27333 | GS85049/74 687 | Potting Boot for Use with AS85049/61 Potting Boot Ring (Page B-84) | -- | B-88 |
| AS85049/75 | M85049/75 | MS27486 | GS85049/75 687 | Potting Boot for Use with AS85049/58 Potting Boot Ring (Page B-80) | -- | B-89 |
| AS85049/76 | M85049/76 | MIL-C-85049/76 | 390FL011 | 90° EMI/RFI Environmental Backshell | "F" MIL-DTL-38999 Ser. I & II | B-90 |
| AS85049/77 | M85049/77 | MIL-C-85049/77 | 390FK011 | 45° EMI/RFI Environmental Backshell | "F" MIL-DTL-38999 Ser. I & II | B-91 |
| AS85049/78 | M85049/78 | MIL-C-85049/78 | 390HK011 | 45° EMI/RFI Environmental Backshell | "H" MIL-DTL-38999 Ser. III & IV EN3645 | B-92 |
| AS85049/79 | MIL-C-85049/79 | 390HL011 | 390HL011 | 90° EMI/RFI Environmental Backshell | "H" MIL-DTL-38999 Ser. III & IV EN3645 | B-93 |
| AS85049/80 | M85049/80 | MIL-C-85049/80 | GS85049/80 687 | Sealing Plug, Sizes 8, 12 and 16 | MIL-DTL-38999 | B-94 |

Dimensions in inches (millimeters) and are subject to change without notice.

Military Standard Backshells and Accessories Part and Page Number Index



SECTION B • AS85049 QUALIFIED PRODUCTS • SECTION B

| Industry Specification Number | Part Identification Number | Military Part Number Superseded | Glenair Commercial Part Number | Description | Glenair Connector Designator/Interface | Page No. |
|--|-------------------------------------|--|----------------------------------|--|--|--------------|
| AS85049/81 | M85049/81 | MIL-C-85049/81 | GS85049/81687 | Sealing Plug | MIL-DTL-38999 | B-96 |
| AS85049/82 AS85049/83 AS85049/84 | M85049/82 M85049/83 M85049/84 | MIL-C-85049/82 MIL-C-85049/83 MIL-C-85049/84 | 440AS069 440AH069 440AJ069 | Straight Banding Backshell 45° Banding Backshell 90° Banding Backshell | "A" AS50151; MIL-DTL-26482, Series 2; AS81703 Series 3; MIL-DTL-83723, Series III | B-97 |
| AS85049/85 AS85049/86 AS85049/87 | M85049/85 M85049/86 M85049/87 | MIL-C-85049/85 MIL-C-85049/86 MIL-C-85049/87 | 440FS069 440FH069 440FJ069 | Straight Banding Backshell 45° Banding Backshell 90° Banding Backshell | "F" MIL-DTL-38999 Series I & I | B-99 |
| AS85049/88 AS85049/89 AS85049/90 | M85049/88 M85049/89 M85049/90 | MIL-C-85049/88 MIL-C-85049/89 MIL-C-85049/90 | 440HS069 440HH069 440HJ069 | Straight Banding Backshell 45° Banding Backshell 90° Banding Backshell | "H" MIL-DTL-38999 Ser. III & IV EN3645 | B-101 |
| AS85049/91 AS85049/92 | M85049/91 M85049/92 | MIL-C-85049/91 MIL-C-85049/92 | 620HS042 620HA042 | Straight Strain Relief 90° Strain Relief | "H" MIL-DTL-38999 Ser. III & IV EN3645 | B-103 |
| AS85049/93 | M85049/93 | MIL-C-85049/93 | 687-207 | Banding Split Ring | --- | B-104 |
| AS85049/94 | M85049/94 | MIL-C-88528/1 | GS85049/94687 | Full Perimeter Mounting Flange | --- | B-105 |
| AS85049/95 | M85049/95 | MIL-C-88528/2 | GS85049/95687 | 3/4 Perimeter Mounting Flange | --- | B-106 |
| AS85049/96 | M85049/96 | MIL-C-88528/3 | GS85049/96687 | 1/4 Perimeter Mounting Flange | --- | B-107 |
| AS85049/103 | M85049/103 | --- | 447HS557 | Straight Shield Sock Composite Adapter with Detented or Non-Detented Self-Locking Coupling Nut | "H" MIL-DTL-38999 Ser. III & IV EN3645 | B-108 |
| AS85049/104 | M85049/104 | --- | 447HB557 | 45° Shield Sock Composite Adapter with Detented or Non-Detented Self-Locking Coupling Nut | "H" MIL-DTL-38999 Ser. III & IV EN3645 | B-110 |
| AS85049/105 | M85049/105 | --- | 447HA557 | 90° Shield Sock Composite Adapter with Detented or Non-Detented Self-Locking Coupling Nut | "H" MIL-DTL-38999 Ser. III & IV EN3645 | B-112 |
| AS85049/109 | M85049/109 | 88064 | 319AS001 | Straight Shield Sock Shrink Boot Adapter with Detented or Non-Detented Self-Locking or Non-Self Locking Coupling Nut | "A" AS50151; MIL-DTL-26482, Series 2; AS81703 Series 3; MIL-DTL-83723, Series III | B-114 |
| AS85049/111 | M85049/111 | 89018 | 319AJ001 | 90° Shield Sock Sock Shrink Boot Adapter with Optional Self-Locking Coupling Nut | "A" AS50151; MIL-DTL-26482, Series 2; AS81703 Series 3; MIL-DTL-83723, Series III | B-116 |
| AS85049/112 | M85049/112 | 89014 | 319FS001 | Straight Shield Sock Sock Shrink Boot Adapter with Optional Self-Locking Coupling Nut | "F" MIL-DTL-38999 Series I & II | B-118 |
| AS85049/114 | M85049/114 | 89016 | 319FJ001 | 90° Shield Sock Shrink Boot Adapter with Detented or Non-Detented Self-Locking Coupling Nut | "F" MIL-DTL-38999 Series I & II | B-120 |
| AS85049/115 | M85049/115 | 89013 | 319HS001 | Straight Shield Sock Shrink Boot Adapter with Optional Self-Locking Coupling Nut | "H" MIL-DTL-38999 Ser. III & IV EN3645 | B-122 |
| AS85049/118 | M85049/118 | --- | 620AS038 | Straight Strain Relief, Self-Locking or Non-Self-Locking | "A" AS50151; MIL-DTL-26482, Series 2; AS81703 Series 3; MIL-DTL-83723, Series III | B-124 |
| AS85049/120 | M85049/120 | --- | 620AA038 | 90° Strain Relief, Self-Locking or Non-Self-Locking | "A" AS50151; MIL-DTL-26482, Series 2; AS81703 Series 3; MIL-DTL-83723, Series III | B-126 |
| AS85049/121 | M85049/121 | --- | 620FS038 | Straight Strain Relief, Self-Locking or Non-Self-Locking | "F" MIL-DTL-38999 Series I & II; MIL-DTL-27599 | B-128 |

Dimensions in inches (millimeters) and are subject to change without notice.



Military Standard Backshells and Accessories Part and Page Number Index

A

SECTION B • AS85049 QUALIFIED PRODUCTS • SECTION B

| Industry Specification Number | Part Identification Number | Military Part Number Superseded | Glenair Commercial Part Number | Description | Glenair Connector Designator/Interface | Page No. |
|--------------------------------|--|---------------------------------|--|--|--|--|
| AS85049/123 | M85049/123 | -- | 620FA038 | 90° Strain Relief, Self-Locking or Non-Self-Locking | "F" MIL-DTL-38999 Series I & II; MIL-DTL-27599 | B-130 |
| AS85049/124 | M85049/124 | -- | 620HS038 | Straight Strain Relief, Self-Locking or Non-Self-Locking | "H" MIL-DTL-38999 Ser. III & IV EN3645 | B-132 |
| AS85049/126 | M85049/126 | -- | 620HA038 | 90° Strain Relief, Self-Locking or Non-Self-Locking | "H" MIL-DTL-38999 Ser. III & IV EN3645 | B-134 |
| AS85049/127 | M85049/127 | -- | 687-581 | Bushing Strip | -- | B-136 |
| AS85049/128-3 AS85049/128-4 | M85049/128-3 M85049/128-4 | -- | 600-052 600-052-1 | Standard Clamping Band Precoiled Standard Clamping Band | AS85049/128 | B-137 |
| AS85049/130 | M85049/130 | -- | Consult Factory | Gasket | -- | B-138 |
| AS85049/139 | M85049/139 | MS3420 | GS85049/139 687 | Telescoping Bushing, C or L | -- | B-140 |
| AS85049/140 | M85049/140-05 M85049/140-09 M85049/140-20 M85049/140-25 | MS3109 | 770-003S107 770-006S102W1 770-007S104 770-018S102 | Straight Lipped Heat Shrink Boot Str. Lipped Long Tail Low Profile H.S. Boot Str. Lipped Mini. Long Tail Low Profile H.S. Boot Straight Lipped Sealing Heat Shrink Boot | -- | B-142 B-144 B-146 B-148 |
| AS85049/141 | M85049/141-03 M85049/141-10 M85049/141-19 | MS3117 | 770-003A105 770-006A103 770-007A103 | 90° Lipped Heat Shrink Boot 90° Lipped Low Profile Heat Shrink Boot 90° Lipped Mini. Low Profile Heat Shrink Boot | -- | B-150 B-152 B-154 |
| AS85049/142 | M85049/142-02 M85049/142-05 M85049/142-10 | -- | 770-011T102 770-010Y105 770-013110W1 | Tee Transition Wide Body Heat Shrink Boot Wye Transition Wide Body Heat Shrink Boot 1:3 Transition Wide Body Heat Shrink Boot | -- | B-156 B-158 B-160 |

SECTION C • MIL-DTL-38999 QUALIFIED PRODUCTS • SECTION C

| Industry Specification Number | Part Identification Number | Military Part Number Superseded | Glenair Commercial Part Number | Description | Glenair Connector Designator/Interface | Page No. |
|--------------------------------------|----------------------------|---------------------------------|--------------------------------|--|--|------------|
| MIL-DTL-38999 MIL-DTL-38999 | MS27501 MS27502 | MS20048 MS20047 | 660-012 660-013 | Protective Plug Cover Protective Receptacle Cover | MIL-DTL-38999 Series I | C-2 |
| MIL-DTL-38999 | MS27510 MS27511 | MS27352 MS27353 | 660-014 660-015 | Protective Plug Cover Protective Receptacle Cover | MIL-DTL-38999 Series II | C-3 |
| MIL-DTL-38999/22 | D38999/22 | -- | 650HS010 | Dummy Storage Receptacle, Threaded Coupling | MIL-DTL-38999, Series III | C-4 |
| MIL-DTL-38999/28 | D38999/28 | -- | Consult Factory | Jam Nut with Safety Wire Holes | MIL-DTL-38999 Series III & IV; EN3645 | C-5 |
| MIL-DTL-38999/32 MIL-DTL-38999/33 | D38999/32 D38999/33 | -- | 660-023 660-024 | Composite or Metal Threaded Plug Cover Composite or Metal Threaded Receptacle Cover | MIL-DTL-38999, Series III | C-6 |
| MIL-DTL-38999/50 | D38999/50 | -- | 650HS007 | Dummy Storage Receptacle, Bayonet Coupling | MIL-DTL-38999, Series IV | C-7 |

Dimensions in inches (millimeters) and are subject to change without notice.

Military Standard Backshells and Accessories Part and Page Number Index



SECTION D • MIL-DTL-28840 QUALIFIED PRODUCTS • SECTION D

| Industry Specification Number | Part Identification Number | Military Part Number Superseded | Glenair Commercial Part Number | Description | Glenair Connector Designator/Interface | Page No. |
|--------------------------------------|----------------------------|---------------------------------|--------------------------------|---|--|--------------|
| MIL-DTL-28840/1 | M28840/1 | — | 620GS051 | Straight Non-Self-Locking Strain Relief | "G" MIL-DTL-28840 | D-2 |
| MIL-DTL-28840/2 | M28840/2 | — | 620GA051 | 90° Non-Self-Locking Strain Relief | "G" MIL-DTL-28840 | D-3 |
| MIL-DTL-28840/3 | M28840/3 | — | 620GB051 | 45° Non-Self-Locking Strain Relief | "G" MIL-DTL-28840 | D-4 |
| MIL-DTL-28840/4 | M28840/4 | — | — | Metal-Core Conduit | "G" MIL-DTL-28840 | D-5 |
| MIL-DTL-28840/5 | M28840/5 | — | — | Straight Backshell for Metal-Core Conduit | "G" MIL-DTL-28840 | D-6 |
| MIL-DTL-28840/6 | M28840/6 A M28840/6 B | — | 390AB001 370 Series | Strt. EMI/RFI Environmental Backshell, Style A Straight Environmental Backshell, Style B | "G" MIL-DTL-28840 | D-7 D-8 |
| MIL-DTL-28840/7 | M28840/7 | — | 650GS001 | Dummy Storage Receptacle, Threaded Coupling | "G" MIL-DTL-28840 | D-9 |
| MIL-DTL-28840/8 | M28840/8- M28840/8 A | — | 390-061 | 90° Environmental Backshell, Style A 90° EMI/RFI Environmental Backshell, Style B | "G" MIL-DTL-28840 | D-10 D-11 |
| MIL-DTL-28840/9 | M28840/9 B M28840/9 A | — | 390-061 | 45° Environmental Backshell, Style A 45° EMI/RFI Environmental Backshell | "G" MIL-DTL-28840 | D-12 D-13 |
| MIL-DTL-28840/13 MIL-DTL-28840/15 | M28840/13 M28840/15 | — | 660-011 660-010 | Protective Threaded Receptacle Cover Protective Threaded Plug Cover | MIL-DTL-28840 | D-14 |
| MIL-DTL-28840/22 | M28840/22 | — | — | Metal-Core Conduit Bushing | "G" MIL-DTL-28840 | D-15 |
| MIL-DTL-28840/23 | M28840/23 | — | Consult Factory | E Nut, Non-Self-Locking | "G" MIL-DTL-28840 | D-16 |
| MIL-DTL-28840/24 | M28840/24 | — | Consult Factory | Gasket | "G" MIL-DTL-28840 | D-17 |

SECTION E • MIL-DTL-83723 QUALIFIED PRODUCTS • SECTION E

| Industry Specification Number | Part Identification Number | Military Part Number Superseded | Glenair Commercial Part Number | Description | Glenair Connector Designator/Interface | Page No. |
|--------------------------------------|---|---------------------------------|--------------------------------|--|--|-------------------|
| MIL-DTL-83723/27 | M83723/27M | — | 310KS002 | Straight Shrink Boot Adapter | "K" MIL-DTL-83723 Series II | E-2 |
| MIL-DTL-83723/35 | M83723/35S M83723/35A M83723/35N | — | Consult Factory | Strt. Non-Environmental Strain Relief Backshell 90° Non-Environmental Strain Relief Backshell Non-Self-Locking E-Nut | "K" MIL-DTL-83723 Series II | E-3 E-4 E-5 |
| MIL-DTL-83723/50 | M83723/50 R M83723/50 B M83723/50 A | — | Consult Factory | Straight Qwik-Ty® Strain Relief 45° Qwik-Ty® Strain Relief 90° Qwik-Ty® Strain Relief | "K" MIL-DTL-83723 Series II | E-6 |
| MIL-DTL-83723/59 MIL-DTL-83723/60 | M83723/59-1 M83723/60-1 | MS27292 MS27293 | 660-021 660-022 | Protective Plug Cover, Threaded Coupling Protective Receptacle Cover, Threaded Coupling | MIL-DTL-83723, Series III | E-7 |
| MIL-DTL-83723/59 MIL-DTL-83723/60 | M83723/59-2 M83723/60-2 | MS27294 MS27295 | 660-019 660-020 | Protective Plug Cover Bayonet Coupling Protective Receptacle Cover Bayonet Coupling | MIL-DTL-83723, Series III | E-8 |
| MIL-DTL-83723/70 | M83723/70 | — | Consult Factory | Straight Quick Disconnect Receptacle Adapter | — | E-9 |

Dimensions in inches (millimeters) and are subject to change without notice.
Mil-Spec Backshells and Accessories

Rev. 5/30/14

© 2013 Glenair, Inc.

U.S. CAGE Code 06324

Printed in U.S.A.



Military Standard Backshells and Accessories Part and Page Number Index

A

SECTION F • AS81511 QUALIFIED PRODUCTS • SECTION F

| Industry Specification Number | Part Identification Number | Military Part Number Superseded | Glenair Commercial Part Number | Description | Glenair Connector Designator/Interface | Page No. |
|-------------------------------|----------------------------|---------------------------------|--------------------------------|--|--|----------|
| AS81511/13 | M81511/13 | — | 620JS001 | Straight Non-Self-Locking Strain Relief | "J" AS81511 Series I, II, III & IV | F-2 |
| AS81511/14 | M81511/14 A M81511/14 B | — | 390JS012 390JS012 | Straight EMI/RFI Environmental Backshell A Straight EMI/RFI Environmental Backshell B | "J" AS81511 Series I, II, III & IV | F-3 |
| AS81511/14 | M81511/14 C M81511/14 D | — | 380JS008 380JS008 | Str. EMI/RFI Non-Environmental Backshell C Str. EMI/RFI Non-Environmental Backshell D | "J" AS81511 Series I, II, III & IV | F-5 |
| AS81511/17 AS81511/18 | M81511/17 M81511/18 | — | 660-017 660-018 | Protective Plug Cover Protective Receptacle Cover | AS81511 Series I, II, III & IV | F-7 |
| AS81511/19 | M81511/19 | — | 650JS002 | Dummy Storage Receptacle | AS81511 Series I, II, III & IV | F-8 |
| AS81511/20 | M81511/20 | — | Consult Factory | Jam Nut | AS81511 Series I, II, III & IV | F-9 |
| AS81511/29 | M81511/29 | — | 660-016 | Protective Plug Cover | AS81511 Series I, II, III & IV | F-7 |
| AS81511/30 | M81511/30 | — | 650JS001 | Dummy Storage Receptacle Bayonet Coupling | MIL-DTL-26500 and MIL-DTL-83723, Series III | F-10 |

SECTION G • MISCELLANEOUS QUALIFIED PRODUCTS • SECTION G

| Industry Specification Number | Part Identification Number | Military Part Number Superseded | Glenair Commercial Part Number | Description | Glenair Connector Designator/Interface | Page No. |
|-------------------------------|----------------------------|---------------------------------|--------------------------------|--|---|----------|
| AS25042 AS25043 | MS25042 MS25043 | MS25042 MS25043 | 660-004 660-005 | Threaded Protective Plug Cover Threaded Protective Receptacle Cover | AS50151 | G-2 |
| MS17349 MS17350 | MS17349 MS17350 | — | 660-007 660-006 | Threaded Protective Receptacle Cover Threaded Protective Plug Cover | MIL-DTL-22992 | G-3 |
| MS27291 | MS27291 | — | 620ES050 | Straight Non-Self-Locking Strain Relief | "E" MIL-DTL-26500 | G-4 |
| MIL-DTL-26500 | MS27558 | — | G2221-A | 90° Non-Self-Locking Strain Relief | "E" MIL-DTL-26500 | G-5 |
| MIL-DTL-26500 | MS27559 | — | G2221-B | 90° Non-Self-Locking Strain Relief | "E" MIL-DTL-26500 | G-6 |
| — | MS27741 | — | 410-003 | TAG® Ring for Reliable Terminations | — | G-7 |
| AS50151 | MS3105 | — | 650BS001 | Dummy Storage Receptacle, Threaded Coupling | AS50151 | G-8 |
| — | MS3115 | — | 650DS001 | Dummy Storage Receptacle, Bayonet Coupling | MIL-DTL-26482 | G-9 |
| — | MS3180 MS3181 | — | 660-008 660-009 | Protective Plug Cover, Bayonet Coupling Protective Receptacle Cover, Bayonet Coupling | MIL-DTL-26482 | G-10 |
| — | MS27512 | MS3186 | Consult Factory | Jam Nut with Safety Wire Holes | AS50151; MIL-DTL-26482; MIL-DTL-26500; MIL-DTL-83723 Series I; MIL-DTL-83723, Series III MIL-DTL-38999 Series I; MIL-DTL-38999 Series II; MIL-DTL-28840; MIL-DTL-27599 | G-11 |
| — | M29504/04 | — | Consult Factory | Fiber Optic Pin Terminus, Size 16 | MIL-DTL-29504 | G-13 |
| — | M29504/05 | — | Consult Factory | Fiber Optic Socket Terminus, Size 16 | MIL-DTL-29504 | G-14 |
| MIL-DTL-83513/05 | M83513/05 | — | Consult Factory | Micro-D Jackscrew Kits | MIL-DTL-83513/05 | G-15 |
| MIL-DTL-83538/9 | M83538/9S | — | Consult Factory | Straight Adapter and Extender | MIL-DTL-83538/4 | G-16 |
| MIL-S-81824/1 | M81824/1 | — | 070-001 | In-Line Splice, Insulated and Environmental | — | G-17 |

Dimensions in inches (millimeters) and are subject to change without notice.

Military Standard Backshells and Accessories Part and Page Number Index



SECTION H • GLENAIR QUALIFIED TOOLS • SECTION H

| Industry Specification Number | Part Identification Number | Military Part Number Superseded | Glenair Commercial Part Number | Description | Glenair Connector Designator/Interface | Page No. |
|-------------------------------|----------------------------|---------------------------------|--------------------------------|---|---|----------|
| -- | -- | -- | TG37 | Connector Wrench for MIL-DTL-26500 and MIL-DTL-83723 Series III | MIL-DTL-26500; MIL-DTL-83723 Series III | H-2 |
| -- | MS3481 | -- | TG39 | Connector Wrench for MIL-DTL-26482, Ser. I & II; MIL-DTL-83723, Ser. I & NAS 1599 | MIL-DTL-26482 Series I & II; MIL-DTL-83723 Series I; NAS 1599 | H-3 |
| -- | -- | -- | TG47 | Connector Wrench for MIL-DTL-22992, Classes C, J and R | MIL-DTL-22992, Classes C, J and R | H-4 |
| -- | -- | -- | TG48 | Connector Wrench for MIL-DTL-38999, Series II | MIL-DTL-38999 Series II | H-5 |
| -- | -- | -- | TG52 | Connector Wrench for MIL-C-81511, Series II and IV | MIL-C-81511 Series II & IV | H-6 |
| -- | -- | -- | TG60 | Connector Wrench for MIL-DTL-27599 and MIL-DTL-38999, Series I | MIL-DTL-27599; MIL-DTL-38999 Series I | H-7 |
| -- | -- | -- | TG83 | Wrench for SJT Connectors (LN29729) | LN29729 | H-8 |
| -- | -- | -- | TG90 | Connector Wrench For MIL-DTL-38999, Ser III | MIL-DTL-38999 Series III | H-9 |
| -- | -- | -- | 600B005 | Plug and Receptacle Holder for MIL-DTL-501555 Series MS3100 Solder & Crimp and MIL-DTL-83723, Series II | MIL-DTL-50155 Series MS3100 Solder and Crimp; MIL-DTL-83723 Series II | H-10 |
| -- | -- | -- | 600C005 | Plug and Receptacle Holder for MIL-DTL-22992 Classes C, J and R | MIL-DTL-22992 Classes C, J and R | H-11 |
| -- | -- | -- | 600D005 | Plug and Receptacle Holder for MIL-DTL-26482, Series I and II, MIL-DTL-83723, Series I and NAS 1599 | MIL-DTL-26482 Series I & II; MIL-DTL-83723 Series I; NAS 1599 | H-12 |
| -- | -- | -- | 600E005 | Plug and Receptacle Holder for MIL-DTL-26500 and MIL-DTL-83723 Series III | MIL-DTL-26500; MIL-DTL-83723 Series III | H-13 |
| -- | -- | -- | 600F005 | Plug and Receptacle Holder for MIL-DTL-27599 and MIL-DTL-38999 Series I | MIL-DTL-27599; MIL-DTL-38999 Series I | H-14 |
| -- | -- | -- | 600FF005 | Plug and Receptacle Holder for MIL-DTL-38999, Series II | MIL-DTL-38999 Series II | H-15 |
| -- | -- | -- | 600G005 | Plug and Receptacle Holder for MIL-DTL-28840 | MIL-DTL-28840 | H-16 |
| -- | -- | -- | 600H005 | Plug and Receptacle Holder for MIL-DTL-38999, Series III | MIL-DTL-38999 Series III | H-17 |
| -- | -- | -- | 600HH005 | Plug and Receptacle Holder for MIL-DTL-38999, Series IV | MIL-DTL-38999 Series IV | H-18 |
| -- | -- | -- | 600J005 | Plug and Receptacle Holder for MIL-DTL-81511, Series I, II, III and IV | MIL-DTL-81511 Series I, II, III & IV | H-19 |

Dimensions in inches (millimeters) and are subject to change without notice.



Standard Materials, Finishes and Tolerances

A

AS85049/GLENAIR FINISH CODE CROSS-REFERENCE

| AS85049 Finish Code | Material, Finish | Recommended Glenair Accessory Finish Code |
|------------------------|---|--|
| A | Aluminum, Black Anodize (RoHS Compliant) | C |
| B | Stainless Steel, Cadmium Plate, Black | ZU |
| G | Aluminum, Electroless Nickel Plate (Space Grade) | MA |
| J | Composite, Cadmium Plate, Olive Drab | XW |
| L | Composite, Cadmium Plate, Olive Drab, Selective | XX |
| M | Composite, Electroless Nickel Plate (RoHS Compliant) | XM |
| N | Aluminum, Electroless Nickel Plate | M |
| P | Aluminum, Cadmium Plate, Olive Drab, Selective | NFP |
| S | Stainless Steel, Pasivate (RoHS Compliant) | Z1 |
| T | Composite, Unplated (RoHS Compliant) | XO |
| W | Aluminum, Cadmium Plate, Olive Drab | NF |
| X | Aluminum, Nickel Fluorocarbon Polymer (RoHS Compliant) | MT |
| XC | Composite, Nickel Fluorocarbon Polymer (RoHS Compliant) | XMT |
| XS | Stainless Steel, Nickel Fluorocarbon Polymer (RoHS Compliant) | ZMT |
| Y | Aluminum, Pure Dense Electrodeposited Aluminum (RoHS Compliant) | AL |
| YC | Composite, Pure Dense Electrodeposited Aluminum (RoHS Compliant) | XAL |
| YL | Composite, Pure Dense Electrodeposited Aluminum, Selective (RoHS Compliant) | XAP |
| YP | Aluminum, Pure Dense Electrodeposited Aluminum, Selective (RoHS Compliant) | ALP |
| YS | Stainless Steel, Pure Dense Electrodeposited Aluminum, Selective (RoHS Compliant) | ZAL |
| Z | Aluminum, Zinc Nickel, Black (RoHS Compliant) | ZR |
| ZC | Composite, Zinc Nickel, Black (RoHS Compliant) | XZR |
| ZL | Composite, Zinc Nickel, Black, Selective (RoHS Compliant) | XZS |
| ZP | Aluminum, Zinc Nickel, Black, Selective (RoHS Compliant) | ZS |
| ZS | Stainless Steel, Zinc Nickel, Black (RoHS Compliant) | ZZR |

Note: Every effort has been made to present accurate information in this catalog. Editorial errors that are brought to our attention will be corrected in future editions. All dimensions presented in this catalog should be confirmed by the factory prior to inclusion within designs or specifications. We are constantly incorporating product improvements and therefore Glenair reserves the right to make changes without notice.

Any liability or warranty as to quality, performance, or fitness for use of Glenair products is always based on the condition that they apply to only new, unused products that are properly stored, handled, installed, used, maintained and inspected by the user in a manner appropriate for the intended use of the product.

TOLERANCES

On all length callouts, tolerance is $\pm .060$ unless otherwise specified.

Unless otherwise specified, the following other dimensional tolerances will apply:

$$.xx = \pm .030 (.080)$$

$$.xxx = \pm .015 (0.400)$$

$$\text{Lengths} = \pm .060 (1.524)$$

$$\text{Angles} = \pm 5^\circ$$

Dimensions in inches (millimeters) and are subject to change without notice.

Recommended Torque Values



INSTALLATION TORQUE VALUES FOR CIRCULAR ELECTRICAL CONNECTOR ACCESSORIES

| Shell Sizes | Group 1 Light and Medium Duty AS50151 (AS31001 Series) MIL-DTL-26482 Series I MIL-DTL-26500 MIL-DTL-27599 MIL-DTL-38999 Series I and II MIL-C-81511 Series I, II, III and IV AS81703 Series I | Group 2 Heavy Duty AS50151 (AS34001 Series) MIL-DTL-22992 MIL-DTL-26482 Series II MIL-DTL-28840 MIL-DTL-38999 Series III and IV AS81703 Series III MIL-DTL-83723 Series I, II and III | Group 2 Composite Material Coupling Threads (See Note 1) |
|---|--|--|--|
| Torque Requirements in Inch-Pounds | | | |
| 8, 9, A | 30/40 | 51/61 | 35 |
| 3, 10, 10SL, 11, B | 30/40 | 71/81 | 35 |
| 7, 12, 12S, 13, C | 35/45 | 103/113 | 45 |
| 14, 14S, 15, D | 35/45 | 111/121 | 45 |
| 16, 16S, 17, E | 35/45 | 111/121 | 45 |
| 18, 19, 27, F | 35/45 | 111/121 | 45 |
| 20, 21, 37, G | 75/85 | 131/141 | 80 |
| 22, 23, H | 75/85 | 131/141 | 80 |
| 24, 25, 61, J | 75/85 | 131/141 | 80 |
| 28, 29 | 115/125 | 143/153 | 120 |
| 32, 33 | 115/125 | 143/153 | 120 |
| 36 | 115/125 | 142/153 | 120 |
| 40 | 155/165 | 159/169 | N/A |
| 44 | 155/165 | 159/169 | N/A |
| 48 | 155/165 | 159/169 | N/A |

TORQUE VALUES FOR CABLE CLAMP SCREWS

Torque requirements in Inch-Pounds for corrosion resistant or steel plated screws only

| Screw Size | Into Aluminum or Corrosion Resistant Steel |
|------------|--|
| 2-56 | 1.5/2.5 |
| 4-40 | 3.5/4.5 |
| 6-32 | 5.0/7.0 |
| 8-32 | 7.0/9.0 |
| 10-32 | 9.0/11.0 |
| .250-20 | 11.0/13.0 |

1) Use Glenair 600-091 and 600-007 Torque Tools when tightening hexagonal composite accessory couplings.

2) For additional guidance or values/conditions not listed, refer to SAE AIR6151.

CABLE CLAMP WITH GROMMET - TORQUE VALUES

Torque Requirements in Inch-Pounds

| Clamp Size | Torque Min/Max Values |
|------------|-----------------------|
| 3 | 30/40 |
| 4 | 30/40 |
| 6 | 35/55 |
| 8 | 35/55 |
| 10 | 35/55 |
| 12 | 40/60 |
| 16 | 40/60 |
| 20 | 40/60 |
| 24 | 80/100 |
| 28 | 80/100 |
| 32 | 80/100 |
| 40 | 80/100 |

EMI/RFI shielding terminated with conical metal ferrule(s) should employ a minimum recommended torque of 35 in-lb.

Dimensions in inches (millimeters) and are subject to change without notice.



Military Standard Connector Index

The following is a list of circular connectors defined by U.S. Military Specifications, cross-referenced to the applicable active or inactive part number series.

The symbols in the Connector Designator column are an essential element in Glenair's commercial backshell part number developments.

| MILITARY STANDARD CONNECTOR INDEX | | | | |
|-----------------------------------|----------------------|-----------------------|---------|---|
| Part No. | Connector Designator | AS50151 Specification | Series | Description |
| MS3100 | B | AS50151 | AS31001 | Receptacle, Wall Mtg (Solder) |
| MS3101 | B | AS50151 | AS31001 | Receptacle |
| MS3102 | ** | AS50151 | AS31001 | Receptacle, Box Mtg (Solder) |
| MS3103 | ** | AS50151 | AS31001 | Receptacle, Potting (Solder) |
| MS3105 | ** | AS50151 | AS31001 | Dummy Receptacle |
| MS3106 | B | AS50151 | AS31001 | Plug, Straight (Solder) |
| MS3107 | B | AS50151 | AS31001 | Plug, Quick Disconnect (Solder) |
| MS3108 | B | AS50151 | AS31001 | Plug, 90° (Solder) |
| MS3110 | D-729 | MIL-DTL-26482 | 1 | Receptacle, Wall Mtg |
| MS3111 | D | MIL-DTL-26482 | 1 | Plug, Cable Connecting |
| MS3112 | ** | MIL-DTL-26482 | 1 | Receptacle, Box Mount |
| MS3113 | ** | MIL-DTL-26482 | 1 | Receptacle, Solder Mtg |
| MS3114 | D-717 | MIL-DTL-26482 | 1 | Receptacle, Jam Nut |
| MS3115 | ** | MIL-DTL-26482 | 1-2 | Dummy Receptacle |
| MS3116 | D | MIL-DTL-26482 | 1 | Plug, Straight |
| MS3119 | ** | MIL-DTL-26482 | 1 | Receptacle, Thru-Bulkhead |
| MS3120 | D | MIL-DTL-26482 | 1 | Receptacle, Wall Mtg (Crimp) |
| MS3121 | D | MIL-DTL-26482 | 1 | Plug, Straight (Crimp) |
| MS3122 | ** | MIL-DTL-26482 | 1 | Receptacle, Box Mtg (Crimp) |
| MS3124 | D-717 | MIL-DTL-26482 | 1 | Receptacle, Rear Mtg, Jam Nut (Crimp) |
| MS3126 | D | MIL-DTL-26482 | 1 | Plug, Straight (Crimp) |
| MS3127 | ** | MIL-DTL-26482 | 1 | Receptacle, Box Mtg (Crimp) |
| MS3128 | * | MIL-DTL-26482 | 1 | Plug, Straight (Crimp) |
| MS3130 | * | AS81703 | 1 | Receptacle, Push Pull, Wide Flange |
| MS3132 | X-706 | AS81703 | 1 | Receptacle, Push Pull, Box Mtg |
| MS3134 | X-706 | AS81703 | 1 | Receptacle, Push Pull, Jam Nut |
| MS3135 | ** | AS81703 | 1 | Dummy Receptacle |
| MS3137 | X-706 | AS81703 | 1 | Plug, Straight, Push Pull |
| MS3138 | X-706 | AS81703 | 1 | Plug, Lanyard, Push Pull |
| MS3139 | ** | AS81703 | 1 | Receptacle, Thru-Bulkhead |
| MS3140 | X-706B | AS81703 | 2 | Receptacle, Push Pull, Wall Mtg |
| MS3142 | ** | AS81703 | AS31001 | Receptacle, Hermetic, Box Mtg |
| MS3143 | ** | AS81703 | AS31001 | Receptacle, Hermetic, Solder Mount |
| MS3144 | X-706B | AS81703 | 2 | Receptacle, Push Pull, Jam Nut |
| MS3145 | ** | AS81703 | 3 | Receptacle, Hermetic, Push Pull, Box Mount |
| MS3146 | ** | AS81703 | 3 | Receptacle, Push Pull, Hermetic, Solder Mount |
| MS3147 | X-706B | AS81703 | 2 | Plug, Push Pull (Crimp) |
| MS3148 | X706B | AS81703 | 2 | Plug, Push Pull, Lanyard (Crimp) |
| MS3149 | ** | AS81703 | 3 | Receptacle, Push Pull, Hermetic |

* Consult Factory
** Connector does not accommodate rear accessories.

Dimensions in inches (millimeters) and are subject to change without notice.

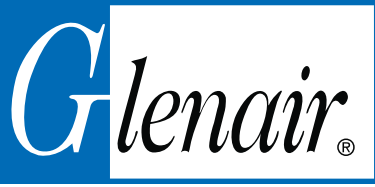
Military Standard Connector Index and Reference Guide



| Part No. | Connector Designator | Specification | Series | Description |
|----------|----------------------|---------------|---------|---|
| MS3400 | A | AS50151 | AS34001 | Receptacle, Wall Mtg |
| MS3401 | A | AS50151 | AS34001 | Receptacle, Cable Connecting |
| MS3402 | ** | AS50151 | AS34001 | Receptacle, Box Mtg |
| MS3404 | A | AS50151 | AS34001 | Receptacle, Jam Nut |
| MS3406 | A | AS50151 | AS34001 | Plug |
| MS3408 | A | AS50151 | AS34001 | Plug, 90° |
| MS3409 | A | AS50151 | AS34001 | Plug, 45° |
| MS3412 | A | AS50151 | AS34001 | Receptacle, Wall Mtg |
| MS3424 | A | AS81703 | 3 | Receptacle, Push Pull, Wall Mtg |
| MS3440 | ** | MIL-DTL-26482 | 2 | Receptacle, Narrow Flange Mtg (Was M83723/9/10) |
| MS3442 | ** | MIL-DTL-26482 | 2 | Receptacle, Wide Flange Mtg |
| MS3443 | ** | MIL-DTL-26482 | 2 | Receptacle, Solder Flange Mtg |
| MS3445 | * | AS81703 | 2 | Plug, push Pull, Rack and Panel Mtg |
| MS3446 | A | AS81703 | 3 | Plug, Rack and Panel |
| MS3449 | ** | MIL-DTL-26482 | 2 | Receptacle, Single Hole Mtg |
| MS3450 | A | AS50151 | AS34501 | Receptacle, Wall Mtg (Was M83723/9/10) |
| MS3451 | A | AS50151 | AS34501 | Receptacle, Cable Connecting (Was M83723/19/20) |
| MS3452 | ** | AS50151 | AS34501 | Receptacle, Box Mtg (Was M83723/21/22) |
| MS3454 | A | AS50151 | AS34501 | Receptacle, Jam Nut |
| MS3456 | A | AS50151 | AS34501 | Plug, Straight (Was M83723/52/53) |
| MS3459 | A | AS50151 | AS34501 | Plug, Straight, Self-Locking (Was M83723/17/18) |
| MS3463 | ** | AS81703 | 3 | Receptacle, Push Pull |
| MS3464 | A | AS81703 | 3 | Receptacle, Push Pull, Jam Nut |
| MS3466 | ** | AS81703 | 3 | Receptacle, Push Pull, Hermetic |
| MS3467 | A | AS81703 | 3 | Plug, Push Pull |
| MS3468 | A | AS81703 | 3 | Plug, Push Pull, Lanyard |
| MS3469 | ** | AS81703 | 3 | Receptacle, Push Pull, Hermetic, Jam Nut |
| MS3470 | A | MIL-DTL-26482 | 2 | Receptacle, Narrow Flange Mtg (Was M83723/1/2) |
| MS3471 | A | MIL-DTL-26482 | 2 | Receptacle, Cable Connecting (Was M83723/7/8) |
| MS3472 | A | MIL-DTL-26482 | 2 | Receptacle, Wide Flange Mtg (Was M83723/3/4)) |
| MS3473 | ** | MIL-DTL-26482 | 2 | Receptacle, Solder Mtg, Hermetic |
| MS3474 | A | MIL-DTL-26482 | 2 | Receptacle, Rear Mtg, Jam Nut (Was M83723/5/6) |
| MS3475 | A | MIL-DTL-26482 | 2 | Plug, RFI Shielded (Was M83723/42/43) |
| MS3476 | A | MIL-DTL-26482 | 2 | Plug, Straight, (Was M83723/13/14) |
| MS3477 | ** | MIL-DTL-26482 | 2 | Receptacle, Hermetic, Box Mtg |
| MS3479 | ** | MIL-DTL-26482 | 2 | Receptacle, Hermetic, Rear Mtg, Jam Nut |
| MS17343 | C | MIL-DTL-22992 | R | Receptacle, Wall Mtg |
| MS17344 | C | MIL-DTL-22992 | R | Plug, Straight |
| MS17345 | C | MIL-DTL-22992 | R | Plug, Cable Connecting |
| MS17346 | C | MIL-DTL-22992 | R | Receptacle, Box Mtg |
| MS17347 | C | MIL-DTL-22992 | R | Receptacle, Jam Nut |
| MS17348 | C | MIL-DTL-22992 | R | Receptacle, Jam Nut, Box Mtg |
| MS18062 | ** | MIL-DTL-22992 | R | Dummy Receptacle |
| MS20026 | * | MIL-DTL-27599 | | Receptacle, Wall Mtg, Solder |
| MS20027 | * | MIL-DTL-27599 | | Receptacle, Line |
| MS20028 | * | MIL-DTL-27599 | | Plug, Straight |
| MS20029 | ** | MIL-DTL-27599 | | Receptacle, Jam Nut Mtg |

* Consult Factory ** Connector does not accommodate rear accessories.

Dimensions in inches (millimeters) and are subject to change without notice.



Military Standard Connector Index and Reference Guide

A

| Part No. | Connector Designator | Specification | Series | Description |
|-----------|----------------------|---------------|----------|-----------------------------------|
| MS20030 | * | MIL-DTL-27599 | | Receptacle, Box Mtg, Hermetic |
| MS20031 | ** | MIL-DTL-27599 | | Receptacle, Jam Nut, Hermetic |
| MS20032 | ** | MIL-DTL-27599 | | Receptacle, Solder Mtg, Hermetic |
| MS20034 | * | MIL-DTL-27599 | | Receptacle, Wall Mtg |
| MS20035 | * | MIL-DTL-27599 | | Receptacle, Box Mtg |
| MS24264 | E | MIL-DTL-26500 | F, G & R | Receptacle, Flange Mtg |
| MS24265 | E | MIL-DTL-26500 | F, G & R | Receptacle, Single Hole Mtg |
| MS24266 | E | MIL-DTL-26500 | F, G & R | Plug, Straight |
| MS25183 | ** | AS50151 | AMS31001 | Plug, Potting Seal |
| MS27034 | ** | MIL-DTL-26500 | | Receptacle, Hermetic, Solder Mtg |
| MS27334 | * | MIL-DTL-27599 | | Receptacle, Wall Mtg |
| MS27335 | ** | MIL-DTL-27599 | | Receptacle, Box Mtg |
| MS27336 | * | MIL-DTL-27599 | | Plug, Straight |
| MS27337 | * | MIL-DTL-27599 | | Receptacle, Jam Nut |
| MS27338 | * | MIL-DTL-27599 | | Receptacle, Wall Mtg, Hermetic |
| MS27339 | ** | MIL-DTL-27599 | | Receptacle, Box Mtg, Hermetic |
| MS27340 | ** | MIL-DTL-27599 | | Receptacle, Jam Nut Mtg, Hermetic |
| MS27341 | ** | MIL-DTL-27599 | | Receptacle, Solder Mtg, Hermetic |
| MS27466 | F | MIL-DTL-38999 | I | Receptacle, Wall Mtg |
| MS27467 | F | MIL-DTL-38999 | I | Plug, Straight |
| MS27468 | F | MIL-DTL-38999 | I | Receptacle, Jam Nut |
| MS27469 | ** | MIL-DTL-38999 | I | Receptacle, Wall Mtg, Hermetic |
| MS27470 | ** | MIL-DTL-38999 | I | Receptacle, Jam Nut, Hermetic |
| MS27471 | ** | MIL-DTL-38999 | I | Receptacle, Solder Mtg, Hermetic |
| MS27472 | F | MIL-DTL-38999 | II | Receptacle, Wall Mtg |
| MS27473 | F | MIL-DTL-38999 | II | Plug, Straight |
| MS27474 | F | MIL-DTL-38999 | II | Receptacle, Jam Nut |
| MS27475 | F | MIL-DTL-38999 | II | Receptacle, Wall Mtg |
| MS27476 | ** | MIL-DTL-38999 | II | Receptacle, Box Mtg, Hermetic |
| MS27477 | ** | MIL-DTL-38999 | II | Receptacle, Jam Nut, Hermetic |
| MS27478 | ** | MIL-DTL-38999 | II | Receptacle, Solder Mtg, Hermetic |
| MS27479 | F | MIL-DTL-38999 | II | Inactive Use MS27472 |
| MS27480 | F | MIL-DTL-38999 | II | Inactive Use MS27473 |
| MS27481 | F | MIL-DTL-38999 | II | Inactive Use MS27474 |
| MS27482 | F | MIL-DTL-38999 | II | Inactive Use MS27475 |
| MS27483 | ** | MIL-DTL-38999 | II | Inactive Use MS27477 |
| MS27484P | ** | MIL-DTL-38999 | II | Plug, Straight |
| MS27484T | F | MIL-DTL-38999 | II | Plug, Straight |
| MS27496 | ** | MIL-DTL-38999 | I | Receptacle, Box Mtg |
| MS27497 | F | MIL-DTL-38999 | II | Receptacle, Back Panel Wall Mtg |
| MS27498 | F | MIL-DTL-38999 | I | Plug, 90° |
| MS27499 | ** | MIL-DTL-38999 | II | Receptacle, Box Mtg |
| MS27500 | F | MIL-DTL-38999 | II | Inactive See MS27473 |
| MS27503 | ** | MIL-DTL-38999 | II | Inactive See MS27478 |
| MS27504 | ** | MIL-DTL-38999 | II | Inactive See MS27499 |
| M81511/23 | J | AS81511 | 1 | Receptacle, Jam Nut |
| M81511/24 | ** | AS-81511 | 1 | Receptacle, Jam Nut |

* Consult Factory ** Connector does not accommodate rear accessories.

Dimensions in inches (millimeters) and are subject to change without notice.

Military Standard Connector Index and Reference Guide



| Part No. | Connector Designator | Specification | Series | Description |
|-----------|----------------------|----------------|--------|---------------------------------------|
| MS27505 | ** | MIL-DTL-38999 | I | Receptacle, Back Panel Box Mtg |
| MS27508 | ** | MIL-DTL-38999 | II | Receptacle, Back Panel Box Mtg |
| MS27513 | ** | MIL-DTL-38999 | II | Receptacle, Box Mtg |
| MS27515 | F | MIL-DTL-38999 | I | Inactive Use MS27656 |
| MS27613 | E-710 | MIL-DTL-26500K | | Receptacle, Panel Mtg |
| MS27614 | E-710 | MIL-DTL-26500K | | Receptacle, D-Hole Mtg |
| MS27615 | E-710 | MIL-DTL-26500K | | Plug, Straight |
| MS27652 | F | MIL-DTL-38999 | I | Inactive Use MS27466 |
| MS27653 | F | MIL-DTL-38999 | I | Inactive Use MS27467 |
| MS27654 | F | MIL-DTL-38999 | I | Inactive Use MS27656 |
| MS27656 | F | MIL-DTL-38999 | I | Receptacle, Back Panel, Wall Mtg |
| MS27661 | F-752 | MIL-DTL-38999 | I | Plug, Lanyard Release |
| MS27662 | ** | MIL-DTL-38999 | I | Receptacle, Thru-Bulkhead |
| MS27664 | ** | MIL-DTL-38999 | II | Receptacle, Back-Panel Wall Mtg |
| MS27665 | F | MIL-DTL-38999 | I | Plug, Rack & Panel Mtg |
| MS27667 | ** | MIL-DTL-38999 | II | Receptacle, Thru-Bulkhead |
| MS90555 | * | MIL-DTL-22992 | L | Receptacle, Wall Mtg |
| MS90556 | * | MIL-DTL-22992 | L | Plug, Straight |
| MS90557 | * | MIL-DTL-22992 | L | Plug, Cable Connecting |
| MS90558 | * | MIL-DTL-22992 | L | Receptacle, W/Coupling Ring, Wall Mtg |
| M28840/10 | G | MIL-DTL-28840 | | Receptacle, Wall Mtg |
| M28840/11 | G | MIL-DTL-28840 | | Receptacle, Cable Connecting |
| M28840/12 | ** | MIL-DTL-28840 | | Receptacle, Box Mtg |
| M28840/14 | G | MIL-DTL-28840 | | Receptacle, Jam Nut |
| M28840/16 | G | MIL-DTL-28840 | | Plug, Straight |
| D38999/20 | H | MIL-DTL-38999 | III | Receptacle, Wall Mtg |
| D38999/21 | ** | MIL-DTL-38999 | III | Receptacle, Hermetic |
| D38999/23 | ** | MIL-DTL-38999 | III | Receptacle, Hermetic, Jam Nut |
| D38999/24 | H | MIL-DTL-38999 | III | Receptacle, Jam Nut |
| D38999/25 | ** | MIL-DTL-38999 | III | Receptacle, Hermetic, Solder Mtg |
| D38999/26 | H | MIL-DTL-38999 | III | Plug, Straight |
| D38999/27 | ** | MIL-DTL-38999 | III | Receptacle, Hermetic, Weld Mtg |
| D38999/29 | * | MIL-DTL-38999 | III | Plug, Lanyard Release |
| D38999/30 | H-701 | MIL-DTL-38999 | III | Plug, Lanyard Release |
| D38999/40 | H | MIL-DTL-38999 | IV | Receptacle, Wall Mtg |
| D38999/42 | H | MIL-DTL-38999 | IV | Receptacle, Box Mtg |
| D38999/44 | H-715 | MIL-DTL-38999 | IV | Receptacle, Jam Nut |
| D38999/46 | H | MIL-DTL-38999 | IV | Plug, Straight, EMI |
| D38999/47 | H | MIL-DTL-38999 | IV | Plug, Straight |
| M81511/1 | J | AS81511 | 2 | Receptacle, Flange Mtg |
| M81511/2 | ** | AS81511 | 2 | Receptacle, Solder Flange |
| M81511/3 | J | AS81511 | 2 | Receptacle, Jam Nut |
| M81511/4 | ** | AS81511 | 2 | Receptacle, Jam Nut |
| M81511/5 | J | AS81511 | 2 | Plug, Cable Connecting |
| M81511/6 | J | AS81511 | 2 | Plug |
| M81511/21 | J | AS81511 | 1 | Receptacle, Flange Mtg |
| M81511/22 | ** | AS81511 | 1 | Receptacle, Solder Flange Mtg |

* Consult Factory ** Connector does not accommodate rear accessories.

Dimensions in inches (millimeters) and are subject to change without notice.



Military Standard Connector Index and Reference Guide

A

| Part No. | Connector Designator | Specification | Series | Description |
|-----------|----------------------|---------------|--------|--|
| M81511/23 | J | AS81511 | 1 | Receptacle, Jam Nut |
| M81511/24 | ** | AS81511 | 1 | Receptacle, Jam Nut |
| M81511/25 | J | AS81511 | 1 | Receptacle, Cable Connecting |
| M81511/26 | J | AS81511 | 1 | Plug |
| M81511/27 | ** | AS81511 | 1 | Receptacle Thru-Bulkhead, Jam Nut |
| M81511/28 | ** | AS81511 | 2 | Receptacle, Thru-Bulkhead, Single Hole Mtg |
| M81511/31 | J | AS81511 | 2 | Receptacle, Flange Mtg |
| M81511/32 | J | AS81511 | 2 | Receptacle, Jam Nut Mtg |
| M81511/33 | J | AS81511 | 2 | Receptacle, Cable Connecting |
| M81511/34 | J | AS81511 | 2 | Plug |
| M81511/35 | J | AS81511 | 1 | Receptacle, Flange Mtg |
| M81511/36 | J | AS81511 | 1 | Receptacle, Jam Nut |
| M81511/37 | J | AS81511 | 1 | Receptacle, Cable Connecting |
| M81511/38 | J | AS81511 | 1 | Plug |
| M81511/41 | J | AS81511 | 3 | Receptacle, Flange Mtg |
| M81511/42 | ** | AS81511 | 3 | Receptacle, Solder Flange Mtg |
| M81511/44 | ** | AS81511 | 3 | Receptacle, Jam Nut |
| M81511/45 | J | AS81511 | 3 | Receptacle, Cable Connecting |
| M81511/46 | J | AS81511 | 3 | Plug |
| M81511/47 | ** | AS81511 | 3 | Receptacle, Solder Flange Mtg |
| M81511/48 | ** | AS81511 | 3 | Receptacle, Jam Nut |
| M81511/49 | J | AS81511 | 3 | Receptacle, Jam Nut |
| M81511/50 | ** | AS81511 | 4 | Receptacle, Jam Nut |
| M81511/51 | J | AS81511 | 4 | Receptacle, Flange Mtg |
| M81511/52 | ** | AS81511 | 4 | Receptacle, Solder Flange Mtg |
| M81511/53 | J | AS81511 | 4 | Receptacle, Jam Nut |
| M81511/54 | ** | AS81511 | 4 | Receptacle, Jam Nut |
| M81511/55 | J | AS81511 | 4 | Receptacle, Cable Connecting |
| M81511/56 | J | AS81511 | 4 | Plug |
| M81511/57 | ** | AS81511 | 4 | Receptacle, Solder Flange Mtg |
| M81582/1 | * | MIL-C-81582 | | Receptacle, Single Hole Mtg |
| M81582/2 | * | MIL-C-81582 | | Plug, Lanyard Release |
| M83723/1 | A | MIL-DTL-83723 | I | Superseded by MS3470 |
| M83723/2 | A | MIL-DTL-83723 | I | Superseded by MS3470 |
| M83723/3 | A | MIL-DTL-83723 | I | Superseded by MS3472 |
| M83723/4 | A | MIL-DTL-83723 | I | Superseded by MS3472 |
| M83723/5 | A | MIL-DTL-83723 | I | Superseded by MS3474 |
| M83723/6 | A | MIL-DTL-83723 | I | Superseded by MS3474 |
| M83723/7 | A | MIL-DTL-83723 | I | Superseded by MS3471 |
| M83723/8 | A | MIL-DTL-83723 | I | Superseded by MS3471 |
| M83723/9 | ** | MIL-DTL-83723 | I | Superseded by MS3440 |
| M83723/10 | ** | MIL-DTL-83723 | I | Superseded by MS3442 |
| M83723/11 | ** | MIL-DTL-83723 | I | Superseded by MS3443 |
| M83723/12 | ** | MIL-DTL-83723 | I | Superseded by MS3443 |
| M83723/13 | A | MIL-DTL-83723 | I | Superseded by MS3476 |
| M83723/14 | A | MIL-DTL-83723 | I | Superseded by MS3476 |
| M83723/17 | K | MIL-DTL-83723 | II | Superseded by MS3451 |

* Consult Factory ** Connector does not accommodate rear accessories.

Dimensions in inches (millimeters) and are subject to change without notice.



Military Standard Connector Index and Reference Guide

A

| Part No. | Connector Designator | Specification | Series | Description |
|-----------|----------------------|---------------|--------|---|
| M83723/94 | ** | MIL-DTL-83723 | III | Receptacle, Bayonet, Single Hole Mtg., Hermetic |
| M83723/95 | A | MIL-DTL-83723 | III | Plug, Threaded, Socket Contact, Self-Locking |
| M83723/96 | A | MIL-DTL-83723 | III | Plug, Threaded, Pin Contact, Self-Locking |
| M83723/97 | A | MIL-DTL-83723 | III | Plug, Threaded, RFI, Socket Contact, Self-Locking |
| M83723/98 | A | MIL-DTL-83723 | III | Plug, Threaded, Pin Contact, Self-Locking |
| NATC00 | H* | SSQ221635 | | Receptacle, Flange |
| NATC06 | H* | SSQ221635 | | Plug |
| NATC07 | H* | SSQ221635 | | Receptacle, Jam Nut |
| NATC09 | *** | SSQ221635 | | Receptacle, Weld Mtg. |
| NATC77 | *** | SSQ221635 | | Receptacle, Jam Nut |
| NATC99 | *** | SSQ221635 | | Receptacle, Weld Mtg. |
| NBO | A | 40M39569 | | Receptacle, Flange Mtg. |
| NBOH | ** | 40M39569 | | Receptacle, Hermetic |
| NB3H | ** | 40M39569 | | Receptacle, Hermetic |
| NB4 | A | 40M39569 | | Receptacle, Flange Mtg. |
| NB5H | ** | 40M39569 | | Through-Bulkhead, Hermetic |
| NB6 | A | 40M39569 | | Plug, Straight |
| NB6G | A | 40M39569 | | Plug, Straight, EMI |
| NB7 | A | 40M39569 | | Receptacle, Jam Nut |
| NB7H | ** | 40M39569 | | Receptacle, Hermetic |
| NB8H | ** | 40M39569 | | Receptacle, Hermetic |
| NLSO | F | 40M38277 | | Receptacle, Flange Mtg. |
| NLS3H | ** | 40M38277 | | Receptacle, Hermetic |
| NLS6 | F | 40M38277 | | Plug, Straight |
| NLS6G | F | 40M38277 | | Plug, Straight, EMI |
| NLS7 | F | 40M38277 | | Receptacle, Jam Nut |
| NLS7H | ** | 40M38277 | | Receptacle, Jam Nut |
| NZGL00 | H** | SSQ21635 | | Receptacle, Flange |
| NZGL03 | *** | SSQ21635 | | Receptacle, Lever |
| NZGL06 | H** | SSQ21635 | | Plug |
| NZGL07 | H** | SSQ21635 | | Receptacle, Weld Mtg |
| NZGL09 | *** | SSQ21635 | | Receptacle, Weld Mtg |
| NZGL66 | H** | SSQ21635 | | Plug |
| NZGL77 | *** | SSQ21635 | | Receptacle, Jam Nut |
| NZGL99 | *** | SSQ21635 | | Receptacle, Weld Mtg |

* Consult Factory

** Connector does not accommodate rear accessories.

H* NATC Series size 09 through 25 mates to Glenair connector designator H. Consult factory for sizes 33 and 37.

H** NZGL Series requires special accessories manufactured by Glenair. Consult factory.

*** Connector noted does not have accessory thread (NZGL and NATC hermetic/control leakage classes).

Dimensions in inches (millimeters) and are subject to change without notice.

AS85049 Qualified Backshells and Connector Accessories



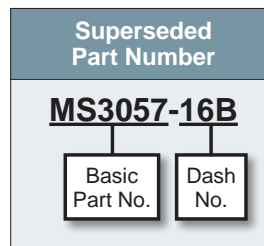
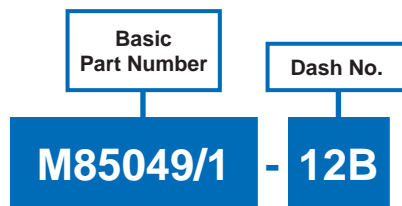
AS85049

B

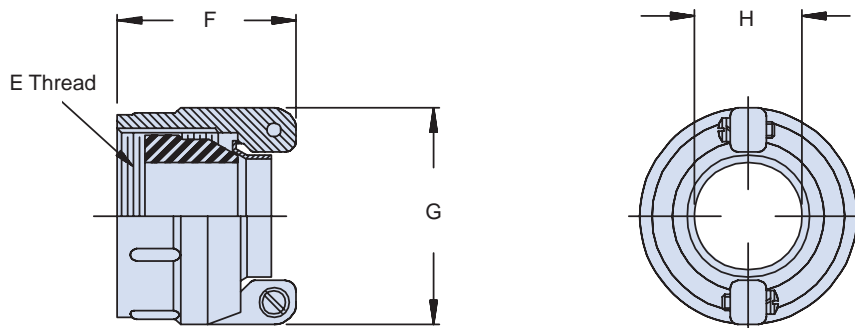
| Part No. | Description | Page No. |
|------------|---|----------|
| AS85049/1 | Straight Strain Relief | B-2 |
| AS85049/2 | Straight Environmental Strain Relief | B-3 |
| AS85049/3 | Straight Environmental Backshell | B-4-6 |
| AS85049/4 | Straight Step-Up Environmental Backshell | B-7-11 |
| AS85049/5 | Straight Step-Down Environmental Backshell | B-13-17 |
| AS85049/6 | 45° RFI/EMI Environmental Backshell | B-19 |
| AS85049/7 | 45° Environmental Backshell | B-21 |
| AS85049/8 | 90° RFI/EMI Environmental Backshell | B-23 |
| AS85049/9 | 90° Environmental Backshell | B-25 |
| AS85049/10 | Straight RFI/EMI Environmental Backshell | B-27 |
| AS85049/11 | Straight Environmental Backshell | B-31 |
| AS85049/14 | E Nuts | B-35 |
| AS85049/15 | 45° Qwik-Ty® Strain Reliefs | B-36 |
| AS85049/16 | 90° Qwik-Ty® Strain Reliefs | B-36 |
| AS85049/17 | Straight RFI/EMI Environmental Backshell | B-37 |
| AS85049/18 | Straight RFI/EMI Environmental Backshell | B-38 |
| AS85049/19 | Straight Environmental Backshell | B-39 |
| AS85049/20 | Straight Crimp Ring Backshell and Crimp Ring | B-41 |
| AS85049/21 | Straight Non-Environmental Strain Relief | B-42 |
| AS85049/23 | 45° RFI-EMI Non-Environmental Backshell | B-43 |
| AS85049/24 | 90° RFI-EMI Non-Environmental Backshell | B-45 |
| AS85049/25 | Straight RFI-EMI Non-Environmental Backshell | B-47 |
| AS85049/26 | Adapter / Crimp Ring | B-51-52 |
| AS85049/27 | E Nuts | B-53 |
| AS85049/28 | Strt. Rectangular Non-Environmental Backshell | B-54 |
| AS85049/29 | Straight Non-Environmental Strain Relief | B-55 |
| AS85049/30 | Straight RFI-EMI Shield Termination Backshell | B-56 |
| AS85049/31 | E Nuts | B-57 |
| AS85049/33 | Straight Crimp Ring Non-Env. Backshell | B-58 |
| AS85049/34 | Straight Adapter and Extender | B-59 |
| AS85049/36 | Straight RFI-EMI Non-Environmental Backshell | B-60 |
| AS85049/37 | 90° RFI-EMI Non-Environmental Backshell | B-61 |
| AS85049/38 | Straight Strain Reliefs | B-62 |
| AS85049/39 | 90° Strain Reliefs | B-63 |
| AS85049/41 | Straight Strain Relief | B-64 |
| AS85049/42 | Straight Strain Relief | B-65 |
| AS85049/43 | 45° Strain Relief | B-66 |
| AS85049/44 | Straight Rectangular Strain Relief Backshell | B-67 |
| AS85049/45 | Straight Strain Relief | B-68 |
| AS85049/46 | 90° Non-Self-Locking Composite Strain Relief | B-69 |
| AS85049/47 | 90° Strain Reliefs | B-70 |
| AS85049/48 | Rectangular Strain Relief Backshell | B-71-73 |
| AS85049/49 | Straight Strain Relief | B-74 |
| AS85049/50 | Rectangular Strain Relief Backshell | B-75 |
| AS85049/51 | 90° Strain Reliefs | B-76 |
| AS85049/52 | Straight Strain Reliefs | B-77 |

| Part No. | Description | Page No. |
|--------------------|---|-----------|
| AS85049/53 /54 /55 | Qwik-Ty® Strain Reliefs | B-78 |
| AS85049/56 /57 | Qwik-Ty® Strain Reliefs | B-79 |
| AS85049/58 | Potting Boot Ring | B-80 |
| AS85049/59 | Straight Shrink Boot Adapter | B-81 |
| AS85049/60 | Straight Shrink Boot Adapters | B-82-83 |
| AS85049/61 | Potting Boot Ring | B-84 |
| AS85049/62 | Straight Shrink Boot Adapter | B-85 |
| AS85049/63 | 90° Qwik-Ty® Strain Relief | B-86 |
| AS85049/69 | Straight Shrink Boot Adapter | B-87 |
| AS85049/74 | Potting Boot | B-88 |
| AS85049/75 | Potting Boot | B-89 |
| AS85049/76 | 90° EMI/RFI Environmental Backshell | B-90 |
| AS85049/77 | 45° EMI/RFI Environmental Backshell | B-91 |
| AS85049/78 | 45° EMI/RFI Environmental Backshell | B-92 |
| AS85049/79 | 90° EMI/RFI Environmental Backshell | B-93 |
| AS85049/80 | Sealing Plug, Sizes 8, 12 and 16 | B-94 |
| AS85049/81 | Sealing Plug | B-96 |
| AS85049/82 /83 /84 | Banding Backshells | B-97 |
| AS85049/85 /86 /87 | Banding Backshells | B-99 |
| AS85049/88 /89 /90 | Banding Backshells | B-101 |
| AS85049/91 /92 | Strain Reliefs | B-103 |
| AS85049/93 | Banding Split Ring | B-104 |
| AS85049/94 | Full Perimeter Mounting Flange | B-105 |
| AS85049/95 | 3/4 Perimeter Mounting Flange | B-106 |
| AS85049/96 | 1/4 Perimeter Mounting Flange | B-107 |
| AS85049/103 | Straight Shield Sock Composite Adapter | B-108 |
| AS85049/104 | 45° Shield Sock Composite Adapter | B-110 |
| AS85049/105 | 90° Shield Sock Composite Adapter | B-112 |
| AS85049/109 | Straight Shield Sock Shrink Boot Adapter | B-114 |
| AS85049/111 | 90° Shield Sock Sock Shrink Boot Adapter | B-116 |
| AS85049/112 | Straight Shield Sock Sock Shrink Boot Adapter | B-118 |
| AS85049/114 | 90° Shield Sock Shrink Boot Adapter | B-120 |
| AS85049/115 | Straight Shield Sock Shrink Boot Adapter | B-122 |
| AS85049/118 | Straight Strain Relief | B-124 |
| AS85049/120 | 90° Strain Relief | B-126 |
| AS85049/121 | Straight Strain Relief | B-128 |
| AS85049/123 | 90° Strain Relief | B-130 |
| AS85049/124 | Sraight Strain Relief | B-132 |
| AS85049/126 | 90° Strain Relief | B-134 |
| AS85049/127 | Bushing Strip | B-136 |
| AS85049/128-3, -4 | Clamping Bands | B-137 |
| AS85049/130 | Gasket | B-138 |
| AS85049/139 | Telescoping Bushing, C or L | B-140 |
| AS85049/140 | Straight Lipped Heat Shrink Boots | B-142-148 |
| AS85049/141 | 90° Lipped Heat Shrink Boots | B-150-154 |
| AS85049/142 | Wide Body Heat Shrink Boot Transitions | B-156-160 |

Dimensions in inches (millimeters) and are subject to change without notice.



B


TABLE I: Shell Size, Cable Entry and Backshell Dimensions

| Dash No. | Conn. Shell Ref.(s) | E Thread Class 2B | F Max | | Ø G Max | | H Min | |
|----------|---------------------|-------------------|-------|--------|---------|--------|-------|--------|
| 3B | 8S, 10S | 1/2 - 28 UNEF | 1.031 | (26.2) | .812 | (20.6) | .231 | (5.9) |
| 4B | 10SL, 12S, 12 | 5/8 - 24 UNEF | 1.031 | (26.2) | .937 | (23.8) | .315 | (8.0) |
| 6B | 14S, 14 | 3/4 - 20 UNEF | 1.031 | (26.2) | 1.062 | (27.0) | .440 | (11.2) |
| 8B | 16S, 16 | 7/8 - 20 UNEF | 1.031 | (26.2) | 1.188 | (30.2) | .515 | (13.1) |
| 10B | 18 | 1 - 20 UNEF | 1.094 | (27.8) | 1.312 | (33.3) | .614 | (15.6) |
| 12B | 20, 22 | 1 3/16 - 18 UNEF | 1.219 | (31.0) | 1.562 | (39.7) | .738 | (18.7) |
| 16B | 24, 28 | 1 7/16 - 18 UNEF | 1.219 | (31.0) | 1.750 | (44.5) | .926 | (23.5) |
| 20B | 32 | 1 3/4 - 18 UNS | 1.344 | (34.1) | 2.250 | (57.2) | 1.200 | (30.5) |
| 24B | 36 | 2 - 18 UNS | 1.547 | (39.3) | 2.375 | (60.3) | 1.363 | (34.6) |
| 28B | 40 | 2 1/4 - 16 UN | 1.547 | (39.3) | 2.625 | (66.7) | 1.611 | (40.9) |
| 32B | 44 | 2 1/2 - 16 UN | 1.734 | (44.0) | 2.812 | (71.4) | 1.865 | (47.4) |
| 40B | 48 | 3 - 16 UN | 1.781 | (45.2) | 3.312 | (84.1) | 2.365 | (60.1) |

APPLICATION NOTES

1. Finish on M85049/1 is Cadmium Olive Drab over Electroless Nickel (1,000 hour salt spray).
2. Assembly to be identified with manufacturer's name and part number, space permitting.
3. Cable Entry is defined as the accommodation entry for the wire bundle or cable. Dimensions are not intended for inspection criteria.
4. For complete dimensions, see the applicable Military Specification.
5. Metric dimensions (mm) are in parentheses.

Dimensions in inches (millimeters) and are subject to change without notice.

AS85049/2 and MS3057C Strain Reliefs



AS85049

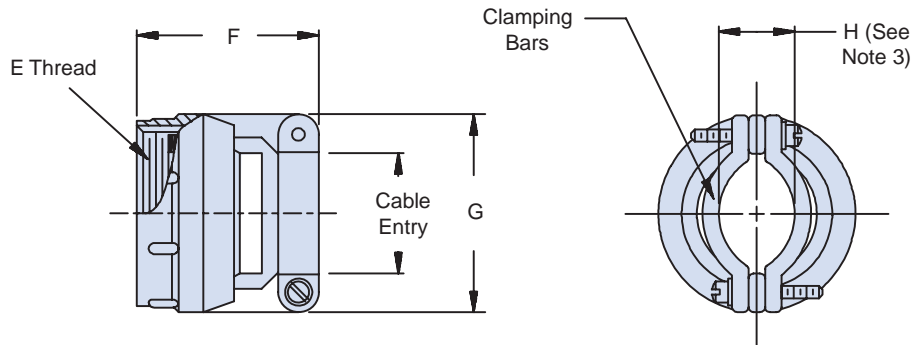
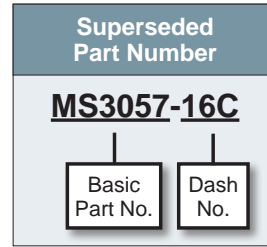
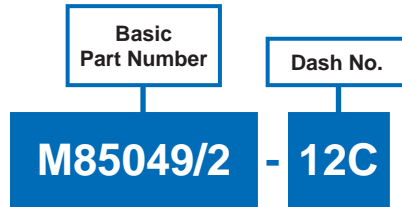


TABLE I: Shell Size, Cable Entry and Backshell Dimensions

| Dash No. | Conn. Shell Ref.(s) | E Thread Class 2B | F Max | Ø G Max | H Max Closed | Cable Entry Max |
|----------|---------------------|-------------------|--------------|--------------|--------------|-----------------|
| 3C | 8S, 10S | 1/2 - 28 UNEF | 1.375 (34.9) | .812 (20.6) | .217 (5.5) | .219 (5.6) |
| 4C | 10SL, 12S, 12 | 5/8 - 24 UNEF | 1.375 (34.9) | .937 (23.8) | .296 (7.5) | .312 (7.9) |
| 6C | 14S, 14 | 3/4 - 20 UNEF | 1.375 (34.9) | 1.062 (27.0) | .390 (9.9) | .438 (11.1) |
| 8C | 16S, 16 | 7/8 - 20 UNEF | 1.375 (34.9) | 1.188 (30.2) | .434 (11.0) | .531 (13.5) |
| 10C | 18 | 1 - 20 UNEF | 1.437 (36.5) | 1.312 (33.3) | .434 (11.0) | .625 (15.9) |
| 12C | 20, 22 | 1 3/16 - 18 UNEF | 1.437 (36.5) | 1.562 (39.7) | .596 (15.1) | .750 (19.1) |
| 16C | 24, 28 | 1 7/16 - 18 UNEF | 1.562 (39.7) | 1.750 (44.5) | .596 (15.1) | .938 (23.8) |
| 20C | 32 | 1 3/4 - 18 UNS | 1.812 (46.0) | 2.250 (57.2) | .858 (21.8) | 1.250 (31.8) |
| 24C | 36 | 2 - 18 UNS | 2.062 (52.4) | 2.375 (60.3) | .858 (21.8) | 1.375 (34.9) |
| 28C | 40 | 2 1/4 - 16 UN | 2.062 (52.4) | 2.625 (66.7) | 1.107 (28.1) | 1.625 (41.3) |
| 32C | 44 | 2 1/2 - 16 UN | 2.188 (55.6) | 2.812 (71.4) | 1.421 (36.1) | 1.875 (47.6) |

APPLICATION NOTES

1. Finish on M85049/2 is Cadmium Olive Drab over Electroless Nickel, 1,000 hour salt spray.
2. Assembly to be identified with manufacturer's name and part number, space permitting.
3. Cable Entry is defined as the accommodation entry for the wire bundle or cable. Dimensions are not intended for inspection criteria.
4. For complete dimensions, see the applicable Military Specification.
5. Metric dimensions (mm) are in parentheses.

Dimensions in inches (millimeters) and are subject to change without notice.

B



AS85049/3 Style 1 Straight Environmental Backshell

CONNECTOR DESIGNATOR:

C MIL-DTL-22992 Classes C, J and R

Finish

A = Black Anodize
W = Cadmium, Olive Drab
Y = Pure Dense Electrodeposited Aluminum
X = Nickel Fluorocarbon Polymer
Z = Zinc Nickel

TABLE II: Cable Range

| Dash No. | Shell Size | Cable Range | |
|----------|------------|--------------|--------------|
| | | Min | Max |
| 1 | 12 | .281 (7.1) | .375 (9.5) |
| 2 | 12 | .188 (4.8) | .281 (7.1) |
| 3 | 14 | .344 (8.7) | .438 (11.1) |
| 4 | 16 | .511 (13.0) | .605 (15.4) |
| 5 | 16 | .436 (11.1) | .530 (13.5) |
| 6 | 16 | .311 (7.9) | .405 (10.3) |
| 7 | 18 | .531 (13.5) | .625 (15.9) |
| 8 | 18 | .605 (15.4) | .699 (17.8) |
| 9 | 18 | .406 (10.3) | .500 (12.7) |
| 10 | 18 | .361 (9.2) | .455 (11.6) |
| 11 | 20 | .715 (18.2) | .828 (21.0) |
| 12 | 20 | .449 (11.4) | .562 (14.3) |
| 13 | 22 | .637 (16.2) | .750 (19.1) |
| 14 | 22 | .787 (20.0) | .900 (22.9) |
| 15 | 22 | .692 (17.6) | .805 (20.4) |
| 16 | 24 | .930 (23.6) | 1.055 (26.8) |
| 17 | 24 | .675 (17.1) | 1.000 (25.4) |
| 18 | 24 | .984 (25.0) | 1.109 (28.2) |
| 19 | 24 | .755 (19.2) | .880 (22.4) |
| 20 | 28 | 1.055 (26.8) | 1.180 (30.0) |
| 21 | 28 | 1.105 (28.1) | 1.230 (31.2) |
| 22 | 28 | 1.185 (30.1) | 1.310 (33.3) |
| 23 | 32 | 1.320 (33.5) | 1.455 (37.0) |
| 24 | 32 | 1.406 (35.7) | 1.531 (38.9) |
| 25 | 32 | 1.250 (31.8) | 1.375 (34.9) |
| 26 | 36 | 1.531 (38.9) | 1.656 (42.1) |
| 27 | 36 | 1.437 (36.5) | 1.562 (39.7) |
| 28 | 44 | 2.105 (53.5) | 2.250 (57.2) |
| 29 | 44 | 2.025 (51.4) | 2.170 (55.1) |

M85049/3

W

10

A

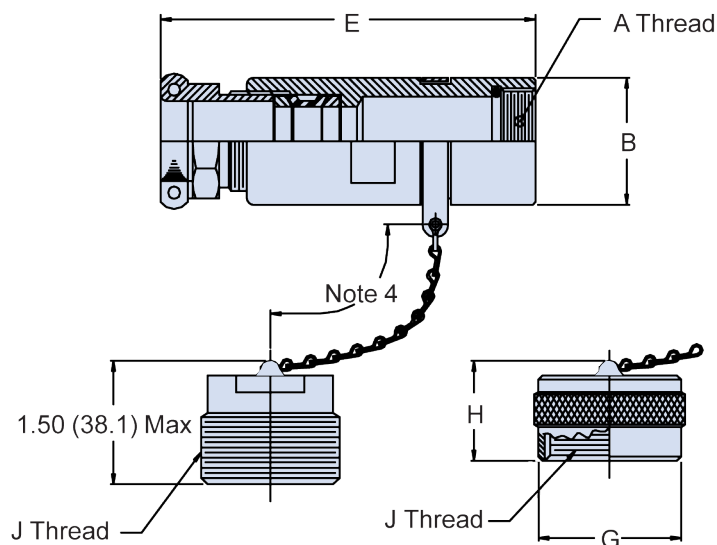
1

Basic Part Number

Dash Number (Table II)

Type A or B

Style 1



TYPE A - Plug Cap
For use with MS17344

TYPE B - Receptacle Cap
For use with MS17343,
MS17345, and MS17347

TABLE I: Shell Size and Dimensions

| Shell Size | A Thread Class 2B-LH | B Dia ±.015 (0.4) | E Max | G Dia Max | H Max | J Thread (Plated) Class 2 (A or B) |
|------------|----------------------|-------------------|---------------|--------------|-------------|------------------------------------|
| 12 | .7500 - 20 UNEF | .933 (23.7) | 3.365 (85.5) | 1.094 (27.8) | .765 (19.4) | 0.875-0.1P-0.2L-DS |
| 14 | .8750 - 20 UNEF | 1.057 (26.8) | 3.678 (93.4) | 1.219 (31.0) | .765 (19.4) | 1.000-0.1P-0.2L-DS |
| 16 | 1.0000 - 20 UNEF | 1.183 (30.0) | 4.177 (106.1) | 1.344 (34.1) | .980 (24.9) | 1.125-0.1P-0.2L-DS |
| 18 | 1.1250 - 18 UNEF | 1.307 (33.2) | 4.489 (114.0) | 1.469 (37.3) | .980 (24.9) | 1.250-0.1P-0.2L-DS |
| 20 | 1.2500 - 18 UNEF | 1.433 (36.4) | 4.615 (117.2) | 1.562 (39.7) | .980 (24.9) | 1.375-0.1P-0.2L-DS |
| 22 | 1.3750 - 18 UNEF | 1.557 (39.5) | 4.647 (118.0) | 1.608 (40.8) | .980 (24.9) | 1.500-0.1P-0.2L-DS |
| 24 | 1.6250 - 18 UNEF | 1.807 (45.9) | 4.896 (124.4) | 1.938 (49.2) | .980 (24.9) | 1.750-0.1P-0.2L-DS |
| 28 | 1.8750 - 16 UN | 2.057 (52.2) | 4.959 (126.0) | 2.219 (56.4) | .980 (24.9) | 2.000-0.1P-0.2L-DS |
| 32 | 2.0625 - 16 UNS | 2.307 (58.6) | 5.021 (127.5) | 2.469 (62.7) | .980 (24.9) | 2.250-0.1P-0.2L-DS |
| 36 | 2.3125 - 16 UNS | 2.557 (64.9) | 5.083 (129.1) | 2.719 (69.1) | .980 (24.9) | 2.500-0.1P-0.2L-DS |
| 44 | 2.8750 - 16 UN | 3.120 (79.2) | 6.471 (164.4) | 2.969 (75.4) | .980 (24.9) | 3.000-0.1P-0.2L-DS |

APPLICATION NOTES

- For complete dimensions see the applicable Military Specification. Metric dimensions (mm) are in parentheses.
- Cable Range is defined as the accommodation range for the wire bundle or cable. Dimensions shown are not intended for inspection criteria.
- Approximate chain lengths: Dash No. 01-12 = 5.0 (127.0); Dash No. 13-29 = 6.0 (152.4).

Dimensions in inches (millimeters) and are subject to change without notice.

AS85049/3 Style 2 Straight Environmental Backshell



AS85049

B

CONNECTOR DESIGNATOR:

C MIL-DTL-22992 Classes C, J and R

Finish

A = Black Anodize
 W = Cadmium, Olive Drab
 Y = Pure Dense Electrodeposited Aluminum
 X = Nickel Fluorocarbon Polymer
 Z = Zinc Nickel

M85049/3

W

10

A

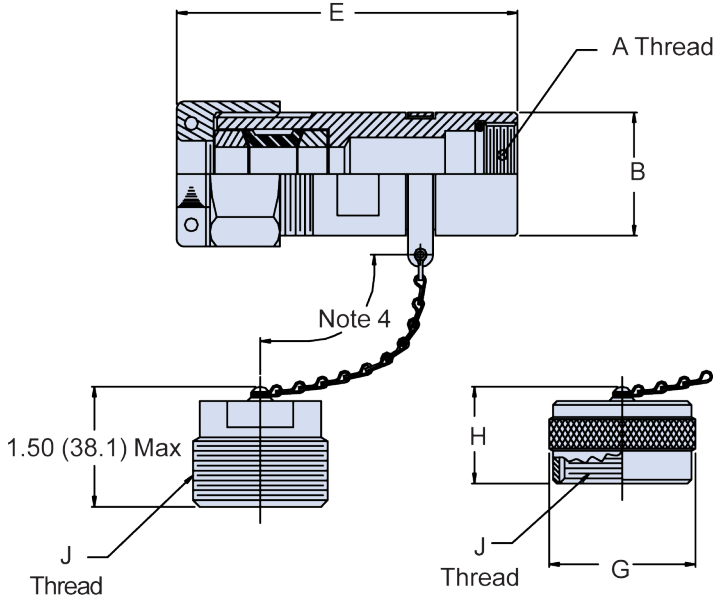
2

Basic Part Number

Dash Number (Table II)

Type A or B

Style 2



TYPE A - Plug Cap
 For use with MS17344

TYPE B - Receptacle Cap
 For use with MS17343,
 MS17345, and MS17347

TABLE II: Dash No. and Cable Range

| Dash No. | Shell Size | Cable Range Min | Cable Range Max |
|----------|------------|-----------------|-----------------|
| 1 | 12 | .246 (6.2) | .396 (10.1) |
| 2 | 14 | .321 (8.2) | .521 (13.2) |
| 3 | 16 | .446 (11.3) | .646 (16.4) |
| 4 | 18 | .565 (14.4) | .765 (19.4) |
| 5 | 20 | .690 (17.5) | .890 (22.6) |
| 6 | 22 | .815 (20.7) | 1.015 (25.8) |
| 7 | 24 | .980 (24.9) | 1.180 (30.0) |
| 8 | 28 | 1.230 (31.2) | 1.430 (36.3) |
| 9 | 28 | 1.030 (26.2) | 1.230 (31.2) |
| 10 | 32 | 1.430 (36.3) | 1.670 (42.4) |
| 11 | 36 | 1.660 (42.2) | 1.860 (47.2) |
| 12 | 40 | 1.860 (47.2) | 2.110 (53.6) |

TABLE I: Shell Size and Dimensions

| Shell Size | A Thread Class 2B-LH | B Dia ±.015 (0.4) | E Max | G Dia Max | H Max | J Thread (Plated) Class 2 (A or B) |
|------------|----------------------|-------------------|---------------|--------------|-------------|------------------------------------|
| 12 | .7500 - 20 UNEF | .933 (23.7) | 4.000 (101.6) | 1.094 (27.8) | .765 (19.4) | 0.875-0.1P-0.2L-DS |
| 14 | .8750 - 20 UNEF | 1.057 (26.8) | 4.100 (104.1) | 1.219 (31.0) | .765 (19.4) | 1.000-0.1P-0.2L-DS |
| 16 | 1.0000 - 20 UNEF | 1.183 (30.0) | 4.400 (111.8) | 1.344 (34.1) | .980 (24.9) | 1.125-0.1P-0.2L-DS |
| 18 | 1.1250 - 18 UNEF | 1.307 (33.2) | 4.900 (124.5) | 1.469 (37.3) | .980 (24.9) | 1.250-0.1P-0.2L-DS |
| 20 | 1.2500 - 18 UNEF | 1.433 (36.4) | 4.900 (124.5) | 1.562 (39.7) | .980 (24.9) | 1.375-0.1P-0.2L-DS |
| 22 | 1.3750 - 18 UNEF | 1.557 (39.5) | 4.900 (124.5) | 1.688 (42.9) | .980 (24.9) | 1.500-0.1P-0.2L-DS |
| 24 | 1.6250 - 18 UNEF | 1.807 (45.9) | 5.000 (127.0) | 1.938 (49.2) | .980 (24.9) | 1.750-0.1P-0.2L-DS |
| 28 | 1.8750 - 16 UN | 2.057 (52.2) | 5.300 (134.6) | 2.219 (56.4) | .980 (24.9) | 2.000-0.1P-0.2L-DS |
| 32 | 2.0625 - 16 UNS | 2.307 (58.6) | 5.600 (142.2) | 2.469 (62.7) | .980 (24.9) | 2.250-0.1P-0.2L-DS |
| 36 | 2.3125 - 16 UNS | 2.557 (64.9) | 5.600 (142.2) | 2.719 (69.1) | .980 (24.9) | 2.500-0.1P-0.2L-DS |
| 40 | 2.6250 - 16 UN | 2.870 (72.9) | 5.725 (145.4) | 2.969 (75.4) | .980 (24.9) | 2.750-0.1P-0.2L-DS |

APPLICATION NOTES

- For complete dimensions see the applicable Military Specification.
- Metric dimensions (mm) are in parentheses.
- Cable Range is defined as the accommodation range for the wire bundle or cable. Dimensions shown are not intended for inspection criteria.
- Approximate chain lengths: Dash No. 01-12 = 5.0 (127.0); Dash No. 13-29 = 6.0 (152.4).

Dimensions in inches (millimeters) and are subject to change without notice.

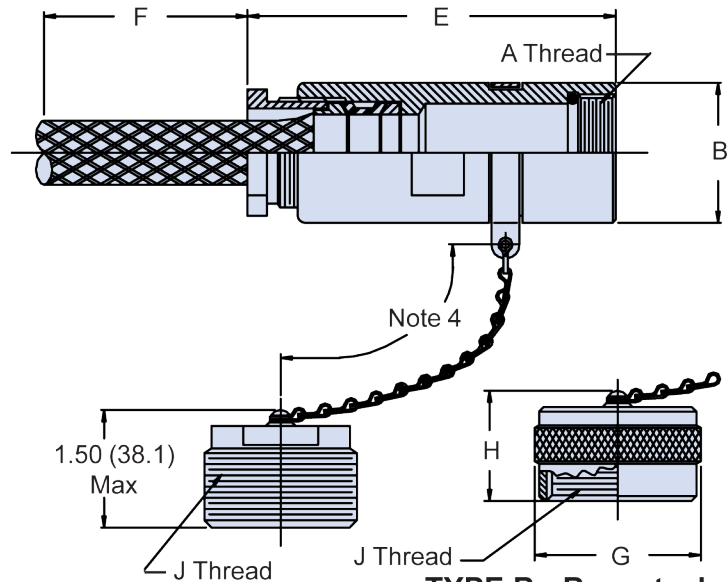
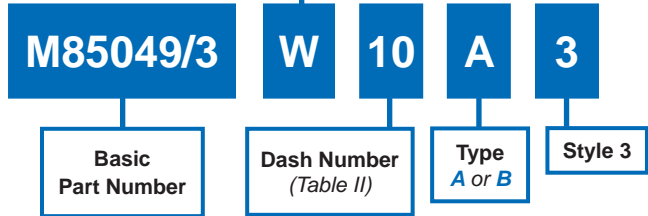
CONNECTOR DESIGNATOR:
C MIL-DTL-22992 Classes C, J and R

Finish

A = Black Anodize
W = Cadmium, Olive Drab
Y = Pure Dense Electrodeposited Aluminum
X = Nickel Fluorocarbon Polymer
Z = Zinc Nickel

TABLE II: Dash Number and Cable Range

| Dash No. | Shell Size | Cable Range | | F Appr. Free Length |
|----------|------------|--------------|--------------|---------------------|
| | | Min | Max | |
| 1 | 12 | .281 (7.1) | .377 (9.6) | 3.344 (84.9) |
| 2 | 12 | .219 (5.6) | .281 (7.1) | 1.062 (27.0) |
| 3 | 14 | .400 (10.2) | .438 (11.1) | 4.344 (110.3) |
| 4 | 16 | .511 (13.0) | .605 (15.4) | 5.188 (131.8) |
| 5 | 16 | .436 (11.1) | .530 (13.5) | 4.688 (119.1) |
| 6 | 16 | .316 (8.0) | .405 (10.3) | 3.688 (93.7) |
| 7 | 18 | .605 (15.4) | .699 (17.8) | 6.188 (157.2) |
| 8 | 18 | .560 (14.2) | .625 (15.9) | 6.188 (157.2) |
| 9 | 18 | .361 (9.2) | .455 (11.6) | 4.188 (106.4) |
| 10 | 20 | .715 (18.2) | .828 (21.0) | 6.688 (169.9) |
| 11 | 20 | .449 (11.4) | .562 (14.3) | 5.188 (131.8) |
| 12 | 22 | .787 (20.0) | .900 (22.9) | 7.188 (182.6) |
| 13 | 22 | .637 (16.2) | .750 (19.1) | 6.688 (169.9) |
| 14 | 24 | .984 (25.0) | 1.109 (28.2) | 7.688 (195.3) |
| 15 | 24 | .875 (22.2) | 1.000 (25.4) | 7.188 (182.6) |
| 16 | 24 | .755 (19.2) | .880 (22.4) | 6.688 (169.9) |
| 17 | 28 | 1.185 (30.1) | 1.310 (33.3) | 8.688 (220.7) |
| 18 | 28 | 1.105 (28.1) | 1.230 (31.2) | 8.188 (208.0) |
| 19 | 28 | 1.055 (26.8) | 1.180 (30.0) | 8.188 (208.0) |
| 20 | 32 | 1.406 (35.7) | 1.531 (38.9) | 10.688 (271.5) |
| 21 | 32 | 1.320 (33.5) | 1.455 (37.0) | 9.688 (246.1) |
| 22 | 32 | 1.250 (31.8) | 1.375 (34.9) | 9.688 (246.1) |
| 23 | 36 | 1.531 (38.9) | 1.656 (42.1) | 12.688 (322.3) |
| 24 | 36 | 1.437 (36.5) | 1.562 (39.7) | 11.188 (284.2) |
| 25 | 44 | 2.105 (53.5) | 2.250 (57.2) | 17.188 (436.6) |
| 26 | 44 | 2.025 (51.4) | 2.170 (55.1) | 17.188 (436.6) |


TYPE A - Plug Cap
 For use with MS17344

TYPE B - Receptacle Cap
 For use with MS17343, MS17345, and MS17347

TABLE I: Shell Size and Dimensions

| Shell Size | A Thread Class 2B-LH | B Dia ±.015 (0.4) | E Max | G Dia Max | H Max | J Thread (Plated) Class 2 (A or B) |
|------------|----------------------|-------------------|---------------|--------------|-------------|------------------------------------|
| 12 | .7500 - 20 UNEF | .933 (23.7) | 2.935 (74.5) | 1.094 (27.8) | .765 (19.4) | 0.875-0.1P-0.2L-DS |
| 14 | .8750 - 20 UNEF | 1.057 (26.8) | 3.248 (82.5) | 1.219 (31.0) | .765 (19.4) | 1.000-0.1P-0.2L-DS |
| 16 | 1.0000 - 20 UNEF | 1.183 (30.0) | 3.712 (94.3) | 1.344 (34.1) | .980 (24.9) | 1.125-0.1P-0.2L-DS |
| 18 | 1.1250 - 18 UNEF | 1.307 (33.2) | 4.024 (102.2) | 1.469 (37.3) | .980 (24.9) | 1.250-0.1P-0.2L-DS |
| 20 | 1.2500 - 18 UNEF | 1.433 (36.4) | 4.115 (104.5) | 1.562 (39.7) | .980 (24.9) | 1.375-0.1P-0.2L-DS |
| 22 | 1.3750 - 18 UNEF | 1.557 (39.5) | 4.150 (105.4) | 1.688 (42.9) | .980 (24.9) | 1.500-0.1P-0.2L-DS |
| 24 | 1.6250 - 18 UNEF | 1.807 (45.9) | 4.212 (107.0) | 1.938 (49.2) | .980 (24.9) | 1.750-0.1P-0.2L-DS |
| 28 | 1.8750 - 16 UN | 2.057 (52.2) | 4.275 (108.6) | 2.219 (56.4) | .980 (24.9) | 2.000-0.1P-0.2L-DS |
| 32 | 2.0625 - 16 UNS | 2.307 (58.6) | 4.337 (110.2) | 2.469 (62.7) | .980 (24.9) | 2.250-0.1P-0.2L-DS |
| 36 | 2.3125 - 16 UNS | 2.557 (64.9) | 4.399 (111.7) | 2.719 (69.1) | .980 (24.9) | 2.500-0.1P-0.2L-DS |
| 44 | 2.8750 - 16 UN | 3.120 (72.9) | 5.799 (147.3) | 3.217 (81.7) | .980 (24.9) | 3.000-0.1P-0.2L-DS |

APPLICATION NOTES

- For complete dimensions see the applicable Military Specification.
- Metric dimensions (mm) are in parentheses.
- Cable Range is defined as the accommodation range for the wire bundle or cable. Dimensions shown are not intended for inspection criteria.
- Approximate chain lengths: Dash No. 01-12 = 5.0 (127.0); Dash No. 13-29 = 6.0 (152.4).

Dimensions in inches (millimeters) and are subject to change without notice.

AS85049/4 Style 1 Straight Environmental Backshell

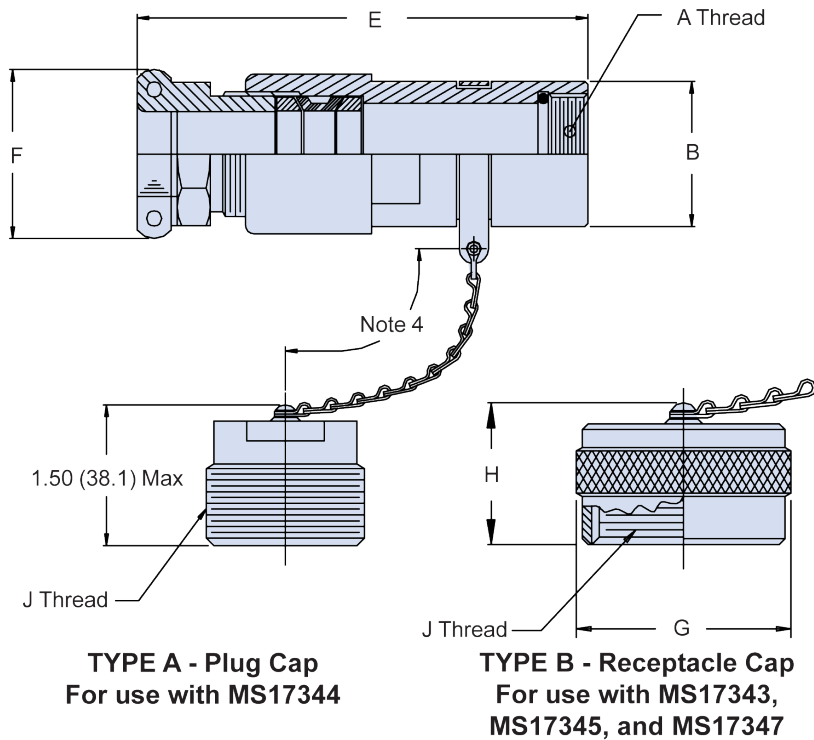
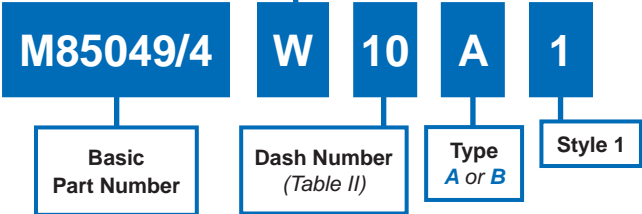


AS85049

B

| CONNECTOR DESIGNATOR: | |
|-----------------------|----------------------------------|
| C | MIL-DTL-22992 Classes C, J and R |

| Finish | |
|---|--|
| A = Black Anodize | X = Nickel Fluorocarbon Polymer |
| W = Cadmium, Olive Drab | Z = Zinc Nickel |
| Y = Pure Dense Electrodeposited Aluminum | |



| APPLICATION NOTES | |
|-------------------|--|
| 1. | For complete dimensions see the applicable Military Specification. |
| 2. | Metric dimensions (mm) are in parentheses. |
| 3. | Cable Range is defined as the accommodation range for the wire bundle or cable. Dimensions shown are not intended for inspection criteria. |
| 4. | Approximate chain lengths: Dash No. 01-12 = 5.0 (127.0); Dash No. 13-29 = 6.0 (152.4). |

Dimensions in inches (millimeters) and are subject to change without notice.



AS85049/4 Style 1 Straight Environmental Backshell

TABLE I: Shell Size and Dimensions

| Shell Size | A Thread Class 2B-LH | B Dia ±.015 (0.4) | G Dia Max | H Max | J Thread (Plated) Class 2 (A or B) |
|------------|-------------------------|----------------------|--------------|-------------|---------------------------------------|
| 12 | .7500 - 20 UNEF | .933 (23.7) | 1.094 (27.8) | .765 (19.4) | 0.875-0.1P-0.2L-DS |
| 14 | .8750 - 20 UNEF | 1.057 (26.8) | 1.219 (31.0) | .765 (19.4) | 1.000-0.1P-0.2L-DS |
| 18 | 1.1250 - 18 UNEF | 1.307 (33.2) | 1.469 (37.3) | .980 (24.9) | 1.250-0.1P-0.2L-DS |
| 20 | 1.2500 - 18 UNEF | 1.433 (36.4) | 1.562 (39.7) | .980 (24.9) | 1.375-0.1P-0.2L-DS |
| 22 | 1.3750 - 18 UNEF | 1.557 (39.5) | 1.688 (42.9) | .980 (24.9) | 1.500-0.1P-0.2L-DS |
| 24 | 1.6250 - 18 UNEF | 1.807 (45.9) | 1.938 (49.2) | .980 (24.9) | 1.750-0.1P-0.2L-DS |
| 28 | 1.8750 - 16 UN | 2.057 (52.2) | 2.219 (56.4) | .980 (24.9) | 2.000-0.1P-0.2L-DS |
| 32 | 2.0625 - 16 UNS | 2.307 (58.6) | 2.469 (62.7) | .980 (24.9) | 2.250-0.1P-0.2L-DS |
| 36 | 2.3125 - 16 UNS | 2.557 (64.9) | 2.719 (69.1) | .980 (24.9) | 2.500-0.1P-0.2L-DS |
| 40 | 2.6250 - 16 UN | 2.870(72.9) | 2.969(75.4) | .980 (24.9) | 2.750-0.1P-0.2L-DS |
| 44 | 2.8750 - 16 UN | 3.120 (79.2) | 3.217 (81.7) | .980 (24.9) | 3.000-0.1P-0.2L-DS |

TABLE II: Dash Number and Cable Range

| Dash No. | Shell Size | E Max | F ±.031 (0.8) | Cable Range Min Max | |
|----------|------------|---------------|------------------|------------------------|--------------|
| 1 | 12 | 4.275 (108.6) | 1.375 (34.9) | .436 (11.1) | .530 (13.5) |
| 2 | 12 | 3.678 (93.4) | 1.125 (28.6) | .406 (10.3) | .500 (12.7) |
| 3 | 12 | 4.275 (108.6) | 1.375 (34.9) | .311 (7.9) | .405 (10.3) |
| 4 | 14 | 4.177 (106.1) | 1.375 (34.9) | .511 (13.0) | .605 (15.4) |
| 5 | 14 | 4.489 (114.0) | 1.562 (39.7) | .531 (13.5) | .625 (15.9) |
| 6 | 14 | 4.177 (106.1) | 1.375 (34.9) | .436 (11.1) | .530 (13.5) |
| 7 | 14 | 4.177 (106.1) | 1.375 (34.9) | .311 (7.9) | .405 (10.3) |
| 8 | 18 | 4.584 (116.4) | 1.688 (42.9) | .715 (18.2) | .828 (21.0) |
| 9 | 20 | 4.647 (118.0) | 1.812 (46.0) | .637 (16.2) | .750 (19.1) |
| 10 | 20 | 4.896 (124.4) | 2.125 (54.0) | .875 (22.2) | 1.000 (25.4) |
| 11 | 20 | 4.647 (118.0) | 1.812 (46.0) | .787 (20.0) | .900 (22.9) |
| 12 | 20 | 4.896 (124.4) | 2.125 (54.0) | .930 (23.6) | 1.055 (26.8) |
| 13 | 22 | 4.896 (124.4) | 2.125 (54.0) | .875 (22.2) | 1.000 (25.4) |
| 14 | 22 | 4.896 (124.4) | 2.125 (54.0) | .984 (25.0) | 1.109 (28.2) |
| 15 | 24 | 4.959 (126.0) | 2.469 (62.7) | 1.055 (26.8) | 1.180 (30.0) |
| 16 | 24 | 4.959 (126.0) | 2.469 (62.7) | 1.185 (30.1) | 1.310 (33.3) |
| 17 | 24 | 4.959 (126.0) | 2.469 (62.7) | 1.105 (28.1) | 1.230 (31.2) |
| 18 | 24 | 4.959 (126.0) | 2.625 (66.7) | 1.250 (31.8) | 1.375 (34.9) |
| 19 | 28 | 5.021 (127.5) | 2.625 (66.7) | 1.320 (33.5) | 1.445 (36.7) |
| 20 | 28 | 5.021 (127.5) | 2.625 (66.7) | 1.406 (35.7) | 1.531 (38.9) |
| 21 | 28 | 5.021 (127.5) | 2.625 (66.7) | 1.250 (31.8) | 1.375 (34.9) |
| 22 | 32 | 5.083 (129.1) | 2.953 (75.0) | 1.531 (38.9) | 1.656 (42.1) |
| 23 | 32 | 5.385 (136.8) | 3.171 (80.5) | 1.700 (43.2) | 1.828 (46.4) |
| 24 | 32 | 5.083 (129.1) | 2.953 (75.0) | 1.437 (36.5) | 1.562 (39.7) |
| 25 | 32 | 5.385 (136.8) | 3.171 (80.5) | 1.605 (40.8) | 1.730 (43.9) |
| 26 | 36 | 5.354 (136.0) | 3.171 (80.5) | 1.775 (45.1) | 1.900 (48.3) |
| 27 | 36 | 5.354 (136.0) | 3.171 (80.5) | 1.605 (40.8) | 1.730 (43.9) |
| 28 | 36 | 5.354 (136.0) | 3.171 (80.5) | 1.700 (43.2) | 1.825 (46.4) |
| 29 | 36 | 5.354 (136.0) | 3.171 (80.5) | 1.859 (47.2) | 1.984 (50.4) |
| 30 | 36 | 5.385 (136.8) | 3.375 (85.7) | 1.917 (48.7) | 2.062 (52.4) |
| 31 | 40 | 5.682 (144.3) | 3.625 (92.1) | 2.230 (56.6) | 2.375 (60.3) |
| 32 | 40 | 5.682 (144.3) | 3.500 (88.9) | 2.105 (53.5) | 2.250 (57.2) |
| 33 | 40 | 5.620 (142.7) | 3.375 (85.7) | 2.000 (50.8) | 2.145 (54.5) |
| 34 | 40 | 5.620 (142.7) | 3.375 (85.7) | 1.917 (48.7) | 2.062 (52.4) |
| 35 | 44 | 6.471 (164.4) | 3.531 (89.7) | 2.183 (55.4) | 2.328 (59.1) |

Dimensions in inches (millimeters) and are subject to change without notice.

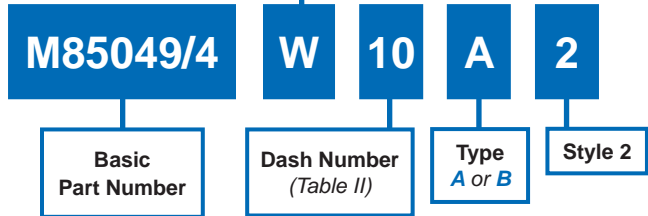
AS85049/4 Style 2 Straight Environmental Backshell



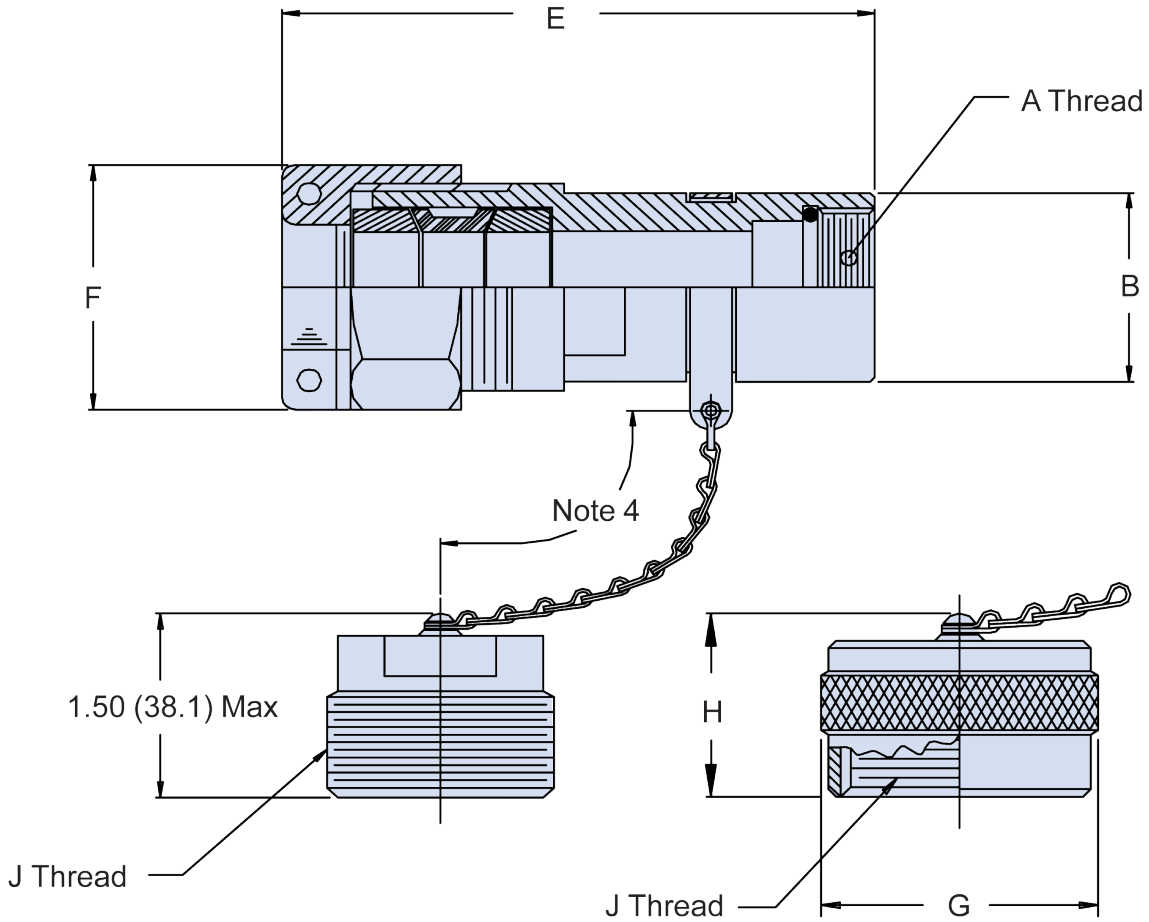
AS85049

| | |
|------------------------------|----------------------------------|
| CONNECTOR DESIGNATOR: | |
| C | MIL-DTL-22992 Classes C, J and R |

| | |
|---|--|
| Finish | |
| A = Black Anodize | X = Nickel Fluorocarbon Polymer |
| W = Cadmium, Olive Drab | Z = Zinc Nickel |
| Y = Pure Dense Electrodeposited Aluminum | |



B



TYPE A - Plug Cap
For use with MS17344

TYPE B - Receptacle Cap
For use with MS17343,
MS17345, and MS17347

Dimensions in inches (millimeters) and are subject to change without notice.

© 2013 Glenair, Inc.

U.S. CAGE Code 06324

Printed in U.S.A.



AS85049/4 Style 2 Straight Environmental Backshell

| Shell Size | A Thread Class 2B-LH | B Dia ±.015 (0.4) | E Max | G Dia Max | H Max | J Thread (Plated) Class 2 (A or B) |
|------------|----------------------|-------------------|---------------|--------------|-------------|------------------------------------|
| 12 | .7500 - 20 UNEF | .933 (23.7) | 4.000 (101.6) | 1.094 (27.8) | .765 (19.4) | 0.875-0.1P-0.2L-DS |
| 14 | .8750 - 20 UNEF | 1.057 (26.8) | 4.100 (104.1) | 1.219 (31.0) | .765 (19.4) | 1.000-0.1P-0.2L-DS |
| 16 | 1.0000 - 20 UNEF | 1.183 (30.0) | 4.400 (111.8) | 1.344 (34.1) | .980 (24.9) | 1.125-0.1P-0.2L-DS |
| 18 | 1.1250 - 18 UNEF | 1.307 (33.2) | 4.900 (124.5) | 1.469 (37.3) | .980 (24.9) | 1.250-0.1P-0.2L-DS |
| 20 | 1.2500 - 18 UNEF | 1.433 (36.4) | 4.900 (124.5) | 1.562 (39.7) | .980 (24.9) | 1.375-0.1P-0.2L-DS |
| 22 | 1.3750 - 18 UNEF | 1.557 (39.5) | 4.900 (124.5) | 1.688 (42.9) | .980 (24.9) | 1.500-0.1P-0.2L-DS |
| 24 | 1.6250 - 18 UNEF | 1.807 (45.9) | 5.000 (127.0) | 1.938 (49.2) | .980 (24.9) | 1.750-0.1P-0.2L-DS |
| 28 | 1.8750 - 16 UN | 2.057 (52.2) | 5.300 (134.6) | 2.219 (56.4) | .980 (24.9) | 2.000-0.1P-0.2L-DS |
| 32 | 2.0625 - 16 UNS | 2.307 (58.6) | 5.600 (142.2) | 2.469 (62.7) | .980 (24.9) | 2.250-0.1P-0.2L-DS |
| 36 | 2.3125 - 16 UNS | 2.557 (64.9) | 5.600 (142.2) | 2.719 (69.1) | .980 (24.9) | 2.500-0.1P-0.2L-DS |
| 40 | 2.6250 - 16 UN | 2.870 (72.9) | 5.725 (145.4) | 2.969 (75.4) | .980 (24.9) | 2.750-0.1P-0.2L-DS |

| Dash No. | Shell Size | F ± .005 (0.1) | Cable Range | |
|----------|------------|----------------|--------------|--------------|
| | | | Min | Max |
| 1 | 12 | 1.219 (31.0) | .321 (8.2) | .521 (13.2) |
| 2 | 14 | 1.344 (34.1) | .446 (11.3) | .646 (16.4) |
| 3 | 16 | 1.469 (37.3) | .565 (14.4) | .765 (19.4) |
| 4 | 18 | 1.625 (41.3) | .690 (17.5) | .890 (22.6) |
| 5 | 20 | 1.750 (44.5) | .815 (20.7) | 1.015 (25.8) |
| 6 | 22 | 2.000 (50.8) | .980 (24.9) | 1.180 (30.0) |
| 7 | 24 | 2.250 (57.2) | 1.230 (31.2) | 1.430 (36.3) |
| 8 | 24 | 2.250 (57.2) | 1.030 (26.2) | 1.230 (31.2) |
| 9 | 28 | 2.500 (63.5) | 1.430 (36.3) | 1.670 (42.4) |
| 10 | 32 | 2.750 (69.9) | 1.660 (42.2) | 1.860 (47.2) |
| 11 | 36 | 3.062 (77.8) | 1.860 (47.2) | 2.110 (53.6) |
| 12 | 40 | 3.437 (87.3) | 2.200 (55.9) | 2.400 (61.0) |
| 13 | 40 | 3.437 (87.3) | 2.200 (55.9) | 2.200 (55.9) |

APPLICATION NOTES

- For complete dimensions see the applicable Military Specification.
- Metric dimensions (mm) are in parentheses.
- Cable Range is defined as the accommodation range for the wire bundle or cable. Dimensions shown are not intended for inspection criteria.
- Approximate chain lengths: Dash No. 01-12 = 5.0 (127.0); Dash No. 13-29 = 6.0 (152.4).

Dimensions in inches (millimeters) and are subject to change without notice.

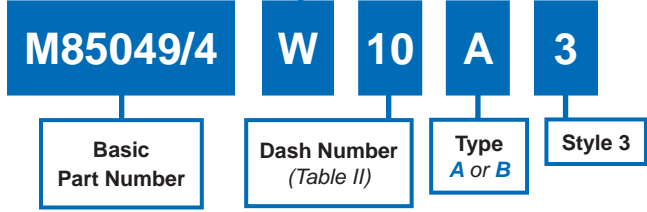
AS85049/4 Style 3 Straight Environmental Backshell



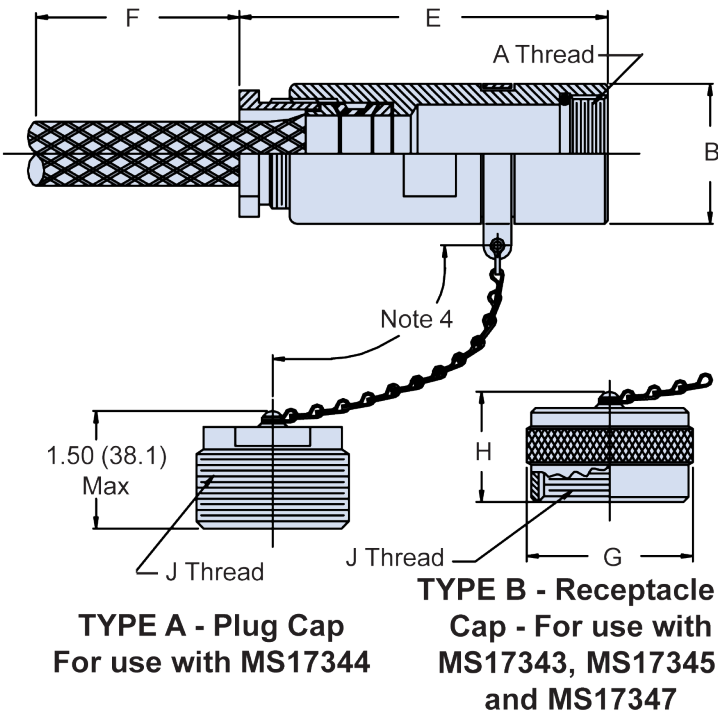
AS85049

| CONNECTOR DESIGNATOR: | |
|-----------------------|----------------------------------|
| C | MIL-DTL-22992 Classes C, J and R |

| Finish | |
|---|--|
| A = Black Anodize | X = Nickel Fluorocarbon Polymer |
| W = Cadmium, Olive Drab | Z = Zinc Nickel |
| Y = Pure Dense Electrodeposited Aluminum | |



B



TYPE A - Plug Cap
For use with MS17344

TYPE B - Receptacle Cap - For use with MS17343, MS17345, and MS17347

| APPLICATION NOTES | |
|-------------------|--|
| 1. | For complete dimensions see the applicable Military Specification. |
| 2. | Metric dimensions (mm) are in parentheses. |
| 3. | Cable Range is defined as the accommodation range for the wire bundle or cable. Dimensions shown are not intended for inspection criteria. |
| 4. | Approximate chain lengths: Dash No. 01-12 = 5.0 (127.0); Dash No. 13-29 = 6.0 (152.4). |

Dimensions in inches (millimeters) and are subject to change without notice.



AS85049/4 Style 3 Straight Environmental Backshell

TABLE I: Shell Size and Dimensions

| Shell Size | A Thread Class 2B-LH | B Dia ±.015 (0.4) | G Dia Max | H Max | J Thread (Plated) Class 2 (A or B) |
|------------|----------------------|-------------------|--------------|-------------|------------------------------------|
| 12 | .7500 - 20 UNEF | .933 (23.7) | 1.094 (27.8) | .765 (19.4) | 0.875-0.1P-0.2L-DS |
| 14 | .8750 - 20 UNEF | 1.057 (26.8) | 1.219 (31.0) | .765 (19.4) | 1.000-0.1P-0.2L-DS |
| 18 | 1.1250 - 18 UNEF | 1.307 (33.2) | 1.469 (37.3) | .980 (24.9) | 1.250-0.1P-0.2L-DS |
| 20 | 1.2500 - 18 UNEF | 1.433 (36.4) | 1.562 (39.7) | .980 (24.9) | 1.375-0.1P-0.2L-DS |
| 22 | 1.3750 - 18 UNEF | 1.557 (39.5) | 1.688 (42.9) | .980 (24.9) | 1.500-0.1P-0.2L-DS |
| 24 | 1.6250 - 18 UNEF | 1.807 (45.9) | 1.938 (49.2) | .980 (24.9) | 1.750-0.1P-0.2L-DS |
| 28 | 1.8750 - 16 UN | 2.057 (52.2) | 2.219 (56.4) | .980 (24.9) | 2.000-0.1P-0.2L-DS |
| 32 | 2.0625 - 16 UNS | 2.307 (58.6) | 2.469 (62.7) | .980 (24.9) | 2.250-0.1P-0.2L-DS |
| 36 | 2.3125 - 16 UNS | 2.557 (64.9) | 2.719 (69.1) | .980 (24.9) | 2.500-0.1P-0.2L-DS |
| 40 | 2.6250 - 16 UN | 2.870 (72.9) | 2.969 (75.4) | .980 (24.9) | 3.000-0.1P-0.2L-DS |

TABLE II: Dash Number and Cable Range

| Dash No. | Shell Size | E Max | F Appr. Free Length | Cable Range Min | Cable Range Max |
|----------|------------|---------------|---------------------|-----------------|-----------------|
| 1 | 12 | 3.810 (96.8) | 4.688 (119.1) | .436 (11.1) | .530 (13.5) |
| 2 | 12 | 3.248 (82.5) | 4.344 (110.3) | .406 (10.3) | .500 (12.7) |
| 3 | 12 | 3.810 (96.8) | 3.688 (93.7) | .316 (8.0) | .405 (10.3) |
| 4 | 14 | 4.024 (102.2) | 6.188 (157.2) | .560 (14.2) | .625 (15.9) |
| 5 | 14 | 3.712 (94.3) | 5.188 (131.8) | .511 (13.0) | .605 (15.4) |
| 6 | 14 | 3.712 (94.3) | 4.688 (119.1) | .430 (10.9) | .530 (13.5) |
| 7 | 14 | 3.712 (94.3) | 3.688 (93.7) | .316 (8.0) | .405 (10.3) |
| 8 | 18 | 4.087 (103.8) | 6.688 (169.9) | .715 (18.2) | .828 (21.0) |
| 9 | 20 | 4.212 (107.0) | 7.688 (195.3) | .930 (23.6) | 1.055 (26.8) |
| 10 | 20 | 4.212 (107.0) | 7.188 (182.6) | .875 (22.2) | 1.000 (25.4) |
| 11 | 20 | 4.150 (105.4) | 7.188 (182.6) | .787 (20.0) | .900 (22.9) |
| 12 | 20 | 4.150 (105.4) | 7.188 (182.6) | .637 (16.2) | .750 (19.1) |
| 13 | 22 | 4.212 (107.0) | 7.688 (195.3) | .984 (25.0) | 1.109 (28.2) |
| 14 | 22 | 4.212 (107.0) | 7.188 (182.6) | .875 (22.2) | 1.000 (25.4) |
| 15 | 24 | 4.275 (108.6) | 9.688 (246.1) | 1.250 (31.8) | 1.375 (34.9) |
| 16 | 24 | 4.275 (108.6) | 8.688 (220.7) | 1.185 (30.1) | 1.310 (33.3) |
| 17 | 24 | 4.275 (108.6) | 8.188 (208.0) | 1.105 (28.1) | 1.230 (31.2) |
| 18 | 24 | 4.275 (108.6) | 8.188 (208.0) | 1.055 (26.8) | 1.180 (30.0) |
| 19 | 28 | 4.337 (110.2) | 10.688 (271.5) | 1.406 (35.7) | 1.531 (38.9) |
| 20 | 28 | 4.337 (110.2) | 9.688 (246.1) | 1.320 (33.5) | 1.445 (36.7) |
| 21 | 28 | 4.337 (110.2) | 9.688 (246.1) | 1.250 (31.8) | 1.375 (34.9) |
| 22 | 32 | 4.704 (119.5) | 13.688 (347.7) | 1.700 (43.2) | 1.825 (46.4) |
| 23 | 32 | 4.704 (119.5) | 13.688 (347.7) | 1.605 (40.8) | 1.730 (43.9) |
| 24 | 32 | 4.399 (111.7) | 12.688 (322.3) | 1.531 (38.9) | 1.656 (42.1) |
| 25 | 36 | 4.704 (119.5) | 14.188 (360.4) | 1.917 (48.7) | 2.062 (52.4) |
| 26 | 36 | 4.673 (118.7) | 13.688 (347.7) | 1.859 (47.2) | 1.984 (50.4) |
| 27 | 36 | 4.673 (118.7) | 13.688 (347.7) | 1.775 (45.1) | 1.900 (48.3) |
| 28 | 36 | 4.673 (118.7) | 13.688 (347.7) | 1.700 (43.2) | 1.825 (46.4) |
| 29 | 36 | 4.673 (118.7) | 13.688 (347.7) | 1.605 (40.8) | 1.730 (43.9) |
| 30 | 40 | 5.000 (127.0) | 18.188 (462.0) | 2.230 (56.6) | 2.375 (60.3) |
| 31 | 40 | 5.000 (127.0) | 17.188 (436.6) | 2.105 (53.5) | 2.250 (57.2) |
| 32 | 40 | 4.939 (125.5) | 14.188 (360.4) | 2.000 (50.8) | 2.145 (54.5) |
| 33 | 40 | 4.939 (125.5) | 14.188 (360.4) | 1.917 (48.7) | 2.062 (52.4) |

Dimensions in inches (millimeters) and are subject to change without notice.



AS85049/5 Style 1 Straight Environmental Backshell

TABLE I: Shell Size and Dimensions

| Shell Size | A Thread Class 2B-LH | B Dia ±.015 (0.4) | G Dia Max | H Max | J Thread (Plated) Class 2 (A or B) |
|------------|-------------------------|----------------------|--------------|-------------|---------------------------------------|
| 12 | .7500 - 20 UNEF | .933 (23.7) | 1.094 (27.8) | .765 (19.4) | 0.875-0.1P-0.2L-DS |
| 18 | 1.1250 - 18 UNEF | 1.307 (33.2) | 1.469 (37.3) | .980 (24.9) | 1.250-0.1P-0.2L-DS |
| 20 | 1.2500 - 18 UNEF | 1.433 (36.4) | 1.562 (39.7) | .980 (24.9) | 1.375-0.1P-0.2L-DS |
| 22 | 1.3750 - 18 UNEF | 1.557 (39.5) | 1.688 (42.9) | .980 (24.9) | 1.500-0.1P-0.2L-DS |
| 24 | 1.6250 - 18 UNEF | 1.807 (45.9) | 1.938 (49.2) | .980 (24.9) | 1.750-0.1P-0.2L-DS |
| 28 | 1.8750 - 16 UN | 2.057 (52.2) | 2.219 (56.4) | .980 (24.9) | 2.000-0.1P-0.2L-DS |
| 32 | 2.0625 - 16 UNS | 2.307 (58.6) | 2.469 (62.7) | .980 (24.9) | 2.250-0.1P-0.2L-DS |
| 36 | 2.3125 - 16 UNS | 2.557 (64.9) | 2.719 (69.1) | .980 (24.9) | 2.500-0.1P-0.2L-DS |
| 40 | 2.6250 - 16 UN | 2.870 (72.9) | 2.969 (75.4) | .980 (24.9) | 2.750-0.1P-0.2L-DS |
| 44 | 2.8750 - 16 UN | 3.120 (79.2) | 3.217 (81.7) | .980 (24.9) | 3.000-0.1P-0.2L-DS |

TABLE II: Dash Number and Cable Range

| Dash No. | Shell Size | E Max | F ± .031 (0.8) | Cable Range | |
|----------|------------|---------------|-------------------|--------------|--------------|
| | | | | Min | Max |
| 1 | 12 | 3.182 (80.8) | .938 (23.8) | .156 (4.0) | .250 (6.4) |
| 2 | 18 | 3.901 (99.1) | 1.062 (27.0) | .281 (7.1) | .375 (9.5) |
| 3 | 18 | 3.932 (99.9) | 1.125 (28.6) | .281 (7.1) | .375 (9.5) |
| 4 | 18 | 3.901 (99.1) | 1.062 (27.0) | .188 (4.8) | .281 (7.1) |
| 5 | 18 | 4.177 (106.1) | 1.375 (34.9) | .511 (13.0) | .605 (15.4) |
| 6 | 18 | 4.177 (106.1) | 1.375 (34.9) | .436 (11.1) | .530 (13.5) |
| 7 | 20 | 4.489 (114.0) | 1.562 (39.7) | .605 (15.4) | .699 (17.8) |
| 8 | 20 | 4.489 (114.0) | 1.562 (39.7) | .361 (9.2) | .455 (11.6) |
| 9 | 20 | 4.306 (109.4) | 1.375 (34.9) | .511 (13.0) | .605 (15.4) |
| 10 | 22 | 4.584 (116.4) | 1.688 (42.9) | .449 (11.4) | .562 (14.3) |
| 11 | 22 | 4.306 (109.4) | 1.375 (34.9) | .311 (7.9) | .405 (10.3) |
| 12 | 22 | 4.306 (109.4) | 1.375 (34.9) | .715 (18.2) | .828 (21.0) |
| 13 | 24 | 4.647 (118.0) | 1.812 (46.0) | .787 (20.0) | .900 (22.9) |
| 14 | 24 | 4.647 (118.0) | 1.812 (46.0) | .517 (13.1) | .630 (16.0) |
| 15 | 24 | 4.647 (118.0) | 1.812 (46.0) | .637 (16.2) | .750 (19.1) |
| 16 | 24 | 4.647 (118.0) | 1.812 (46.0) | .857 (21.8) | .970 (24.6) |
| 17 | 24 | 4.542 (115.4) | 1.688 (42.9) | .715 (18.2) | .828 (21.0) |
| 18 | 24 | 4.647 (118.0) | 1.812 (46.0) | .692 (17.6) | .805 (20.4) |
| 19 | 28 | 4.896 (124.4) | 2.125 (54.0) | .755 (19.2) | .880 (22.4) |
| 20 | 28 | 4.896 (124.4) | 2.125 (54.0) | .984 (25.0) | 1.109 (28.2) |
| 21 | 28 | 4.647 (118.0) | 1.812 (46.0) | .637 (16.2) | .750 (19.1) |
| 22 | 28 | 4.229 (107.4) | 1.125 (28.6) | .281 (7.1) | .375 (9.5) |
| 23 | 28 | 4.647 (118.0) | 1.812 (46.0) | .857 (21.8) | .970 (24.6) |
| 24 | 28 | 4.896 (124.4) | 2.125 (54.0) | .875 (22.2) | 1.000 (25.4) |
| 25 | 28 | 4.431 (112.5) | 1.375 (34.9) | .436 (11.1) | .530 (13.5) |
| 26 | 28 | 4.647 (118.0) | 1.812 (46.0) | .567 (14.4) | .680 (17.3) |
| 27 | 32 | 4.896 (124.4) | 2.125 (54.0) | .930 (23.6) | 1.055 (26.8) |
| 28 | 32 | 4.959 (126.0) | 2.469 (62.7) | 1.105 (28.1) | 1.230 (31.2) |
| 29 | 32 | 4.647 (118.0) | 1.812 (46.0) | .637 (16.2) | .750 (19.1) |
| 30 | 32 | 4.896 (124.4) | 2.125 (54.0) | .755 (19.2) | .880 (22.4) |
| 31 | 32 | 4.896 (124.4) | 2.125 (54.0) | .984 (25.0) | 1.109 (28.2) |
| 32 | 32 | 4.647 (118.0) | 1.812 (46.0) | .857 (21.8) | .970 (24.6) |
| 33 | 32 | 4.276 (108.6) | 1.125 (28.6) | .281 (7.1) | .375 (9.5) |
| 34 | 32 | 4.431 (112.5) | 1.375 (34.9) | .436 (11.1) | .530 (13.5) |
| 35 | 32 | 4.959 (126.0) | 2.469 (62.7) | 1.005 (25.5) | 1.130 (28.7) |
| 36 | 36 | 4.959 (126.0) | 2.469 (62.7) | 1.185 (30.1) | 1.310 (33.3) |
| 37 | 36 | 4.896 (124.4) | 2.125 (54.0) | .984 (25.0) | 1.109 (28.2) |
| 38 | 36 | 5.021 (127.5) | 2.625 (66.7) | 1.250 (31.8) | 1.375 (34.9) |
| 39 | 36 | 4.959 (126.0) | 2.469 (62.7) | 1.055 (26.8) | 1.180 (30.0) |
| 40 | 36 | 5.021 (127.5) | 2.625 (66.7) | 1.320 (33.5) | 1.445 (36.7) |
| 41 | 36 | 4.651 (118.1) | 1.812 (46.0) | .857 (21.8) | .970 (24.6) |
| 42 | 36 | 4.959 (126.0) | 2.469 (62.7) | 1.105 (28.1) | 1.230 (31.2) |
| 43 | 40 | 6.354 (161.4) | 3.171 (80.5) | 1.815 (46.1) | 1.940 (49.3) |
| 44 | 40 | 6.354 (161.4) | 3.171 (80.5) | 1.700 (43.2) | 1.825 (46.4) |
| 45 | 40 | 6.354 (161.4) | 3.171 (80.5) | 1.605 (40.8) | 1.730 (43.9) |
| 46 | 40 | 6.057 (153.8) | 2.953 (75.0) | 1.531 (38.9) | 1.656 (42.1) |
| 47 | 44 | 6.345 (161.2) | 3.375 (85.7) | 1.867 (47.4) | 2.000 (50.8) |
| 48 | 44 | 5.266 (133.8) | 3.171 (80.5) | 1.775 (45.1) | 1.900 (48.3) |

Dimensions in inches (millimeters) and are subject to change without notice.



AS85049/5 Style 2 Straight Environmental Backshell

B

TABLE I: Shell Size and Dimensions

| Shell Size | A Thread Class 2B-LH | B Dia ±.015 (0.4) | E Max | G Dia Max | H Max | J Thread (Plated) Class 2 (A or B) |
|------------|----------------------|-------------------|---------------|--------------|-------------|------------------------------------|
| 12 | .7500 - 20 UNEF | .933 (23.7) | 4.000 (101.6) | 1.094 (27.8) | .765 (19.4) | 0.875-0.1P-0.2L-DS |
| 14 | .8750 - 20 UNEF | 1.057 (26.8) | 4.100 (104.1) | 1.219 (31.0) | .765 (19.4) | 1.000-0.1P-0.2L-DS |
| 16 | 1.0000 - 20 UNEF | 1.183 (30.0) | 4.400 (111.8) | 1.344 (34.1) | .980 (24.9) | 1.125-0.1P-0.2L-DS |
| 18 | 1.1250 - 18 UNEF | 1.307 (33.2) | 4.600 (116.8) | 1.469 (37.3) | .980 (24.9) | 1.250-0.1P-0.2L-DS |
| 20 | 1.2500 - 18 UNEF | 1.433 (36.4) | 4.900 (124.5) | 1.562 (39.7) | .980 (24.9) | 1.375-0.1P-0.2L-DS |
| 22 | 1.3750 - 18 UNEF | 1.557 (39.5) | 4.900 (124.5) | 1.688 (42.9) | .980 (24.9) | 1.500-0.1P-0.2L-DS |
| 24 | 1.6250 - 18 UNEF | 1.807 (45.9) | 5.000 (127.0) | 1.938 (49.2) | .980 (24.9) | 1.750-0.1P-0.2L-DS |
| 28 | 1.8750 - 16 UN | 2.057 (52.2) | 5.300 (134.6) | 2.219 (56.4) | .980 (24.9) | 2.000-0.1P-0.2L-DS |
| 32 | 2.0625 - 16 UNS | 2.057 (52.2) | 5.600 (142.2) | 2.469 (62.7) | .980 (24.9) | 2.250-0.1P-0.2L-DS |
| 36 | 2.3125 - 16 UNS | 2.557 (64.9) | 5.600 (142.2) | 2.719 (69.1) | .980 (24.9) | 2.500-0.1P-0.2L-DS |
| 40 | 2.6250 - 16 UN | 2.870 (72.9) | 5.725 (145.4) | 2.969 (75.4) | .980 (24.9) | 2.750-0.1P-0.2L-DS |

TABLE II: Dash Number and Cable Range

| Dash No. | Shell Size | F ± .031 (0.8) | Cable Range | |
|----------|------------|----------------|--------------|--------------|
| | | | Min | Max |
| 1 | 12 | .969 (24.6) | .130 (3.3) | .280 (7.1) |
| 2 | 14 | 1.094 (27.8) | .246 (6.2) | .396 (10.1) |
| 3 | 16 | 1.219 (31.0) | .321 (8.2) | .521 (13.2) |
| 4 | 18 | 1.344 (34.1) | .446 (11.3) | .646 (16.4) |
| 5 | 18 | 1.344 (34.1) | .300 (7.6) | .475 (12.1) |
| 6 | 20 | 1.469 (37.3) | .565 (14.4) | .765 (19.4) |
| 7 | 20 | 1.469 (37.3) | .400 (10.2) | .600 (15.2) |
| 8 | 22 | 1.625 (41.3) | .690 (17.5) | .890 (22.6) |
| 9 | 22 | 1.625 (41.3) | .500 (12.7) | .700 (17.8) |
| 10 | 22 | 1.625 (41.3) | .400 (10.2) | .525 (13.3) |
| 11 | 24 | 1.750 (44.5) | .815 (20.7) | 1.015 (25.8) |
| 12 | 24 | 1.750 (44.5) | .595 (15.1) | .815 (20.7) |
| 13 | 28 | 2.000 (50.8) | .980 (24.9) | 1.180 (30.0) |
| 14 | 28 | 2.000 (50.8) | .780 (19.8) | .980 (24.9) |
| 15 | 32 | 2.250 (57.2) | 1.230 (31.2) | 1.430 (36.3) |
| 16 | 32 | 2.250 (57.2) | 1.030 (26.2) | 1.230 (31.2) |
| 17 | 36 | 2.500 (63.5) | 1.470 (37.3) | 1.670 (42.4) |
| 18 | 36 | 2.500 (63.5) | 1.270 (32.3) | 1.470 (37.3) |
| 19 | 40 | 2.750 (69.9) | 1.660 (42.2) | 1.860 (47.2) |
| 20 | 40 | 2.750 (69.9) | 1.400 (35.6) | 1.660 (42.2) |

APPLICATION NOTES

- For complete dimensions see the applicable Military Specification.
- Metric dimensions (mm) are in parentheses.
- Cable Range is defined as the accommodation range for the wire bundle or cable. Dimensions shown are not intended for inspection criteria.
- Approximate chain lengths: Dash No. 01-12 = 5.0 (127.0); Dash No. 13-29 = 6.0 (152.4).

Dimensions in inches (millimeters) and are subject to change without notice.

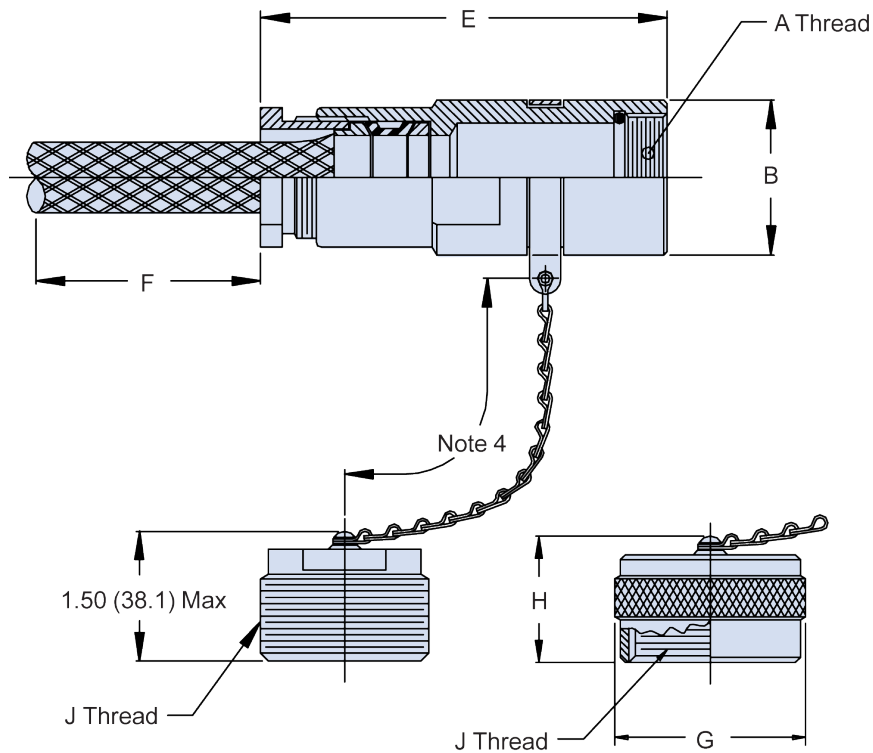
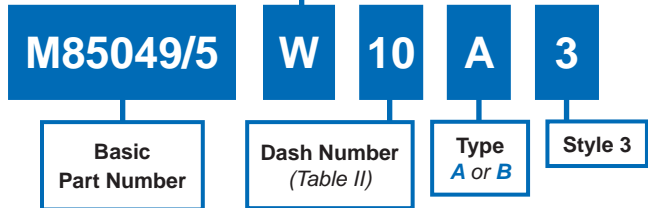
AS85049/5 Style 3 Straight Environmental Backshell



AS85049

| CONNECTOR DESIGNATOR: | |
|-----------------------|----------------------------------|
| C | MIL-DTL-22992 Classes C, J and R |

| Finish | |
|---|--|
| <i>A</i> = Black Anodize | <i>X</i> = Nickel Fluorocarbon Polymer |
| <i>W</i> = Cadmium, Olive Drab | <i>Z</i> = Zinc Nickel |
| <i>Y</i> = Pure Dense Electrodeposited Aluminum | |



TYPE A - Plug Cap
For use with MS17344

TYPE B - Receptacle Cap
For use with MS17343,
MS17345, and MS17347

| APPLICATION NOTES | |
|-------------------|--|
| 1. | For complete dimensions see the applicable Military Specification. |
| 2. | Metric dimensions (mm) are in parentheses. |
| 3. | Cable Range is defined as the accommodation range for the wire bundle or cable. Dimensions shown are not intended for inspection criteria. |
| 4. | Approximate chain lengths: Dash No. 01-12 = 5.0 (127.0); Dash No. 13-29 = 6.0 (152.4). |

Dimensions in inches (millimeters) and are subject to change without notice.

B



AS85049/5 Style 3 Straight Environmental Backshell

TABLE I: Shell Size and Dimensions

| Shell Size | A Thread Class 2B-LH | B Dia ±.015 (0.4) | G Dia Max | H Max | J Thread (Plated) Class 2 (A or B) |
|------------|-------------------------|----------------------|--------------|-------------|---------------------------------------|
| 12 | .7500 - 20 UNEF | .933 (23.7) | 1.094 (27.8) | .765 (19.4) | 0.875-0.1P-0.2L-DS |
| 18 | 1.1250 - 18 UNEF | 1.307 (33.2) | 1.469 (37.3) | .980 (24.9) | 1.250-0.1P-0.2L-DS |
| 20 | 1.2500 - 18 UNEF | 1.433 (36.4) | 1.562 (39.7) | .980 (24.9) | 1.375-0.1P-0.2L-DS |
| 22 | 1.3750 - 18 UNEF | 1.557 (39.5) | 1.688 (42.9) | .980 (24.9) | 1.500-0.1P-0.2L-DS |
| 24 | 1.6250 - 18 UNEF | 1.807 (45.9) | 1.938 (49.2) | .980 (24.9) | 1.750-0.1P-0.2L-DS |
| 28 | 1.8750 - 16 UN | 2.057 (52.2) | 2.219 (56.4) | .980 (24.9) | 2.000-0.1P-0.2L-DS |
| 32 | 2.0625 - 16 UNS | 2.307 (58.6) | 2.469 (62.7) | .980 (24.9) | 2.250-0.1P-0.2L-DS |
| 36 | 2.3125 - 16 UNS | 2.557 (64.9) | 2.719 (69.1) | .980 (24.9) | 2.500-0.1P-0.2L-DS |
| 40 | 2.6250 - 16 UN | 2.875 (73.0) | 2.969 (75.4) | .980 (24.9) | 2.750-0.1P-0.2L-DS |
| 44 | 2.8750 - 16 UN | 3.125 (79.4) | 3.217 (81.7) | .980 (24.9) | 3.000-0.1P-0.2L-DS |

TABLE II: Dash Number, Shell Size and Cable Range

| Dash No. | Shell Size | Cable Range | | E Max | F Appr. Free Length |
|----------|------------|--------------|--------------|---------------|------------------------|
| | | Min | Max | | |
| 1 | 12 | .160 (4.1) | .222 (5.6) | 2.752 (69.9) | 2.406 (61.1) |
| 2 | 18 | .511 (13.0) | .605 (15.4) | 3.712 (94.3) | 5.188 (131.8) |
| 3 | 18 | .436 (11.1) | .530 (13.5) | 3.712 (94.3) | 4.688 (119.1) |
| 4 | 18 | .306 (7.8) | .375 (9.5) | 3.502 (89.0) | 3.844 (97.6) |
| 5 | 18 | .219 (5.6) | .281 (7.1) | 3.471 (88.2) | 2.844 (72.2) |
| 6 | 20 | .605 (15.4) | .699 (17.8) | 4.024 (102.2) | 6.188 (157.2) |
| 7 | 20 | .511 (13.0) | .605 (15.4) | 3.841 (97.6) | 5.188 (131.8) |
| 8 | 20 | .361 (9.2) | .455 (11.6) | 4.024 (102.2) | 4.188 (106.4) |
| 9 | 22 | .715 (18.2) | .828 (21.0) | 4.087 (103.8) | 6.688 (169.9) |
| 10 | 22 | .449 (11.4) | .562 (14.3) | 4.087 (103.8) | 5.188 (131.8) |
| 11 | 22 | .316 (8.0) | .405 (10.3) | 3.841 (97.6) | 3.688 (93.7) |
| 12 | 24 | .692 (17.6) | .805 (20.4) | 4.150 (105.4) | 6.688 (169.9) |
| 13 | 24 | .637 (16.2) | .750 (19.1) | 4.150 (105.4) | 6.688 (169.9) |
| 14 | 24 | .517 (13.1) | .630 (16.0) | 4.150 (105.4) | 5.688 (144.5) |
| 15 | 28 | .984 (25.0) | 1.109 (28.2) | 4.212 (107.0) | 7.688 (195.3) |
| 16 | 28 | .875 (22.2) | 1.000 (25.4) | 4.212 (107.0) | 7.188 (182.6) |
| 17 | 28 | .755 (19.2) | .880 (22.4) | 4.212 (107.0) | 6.688 (169.9) |
| 18 | 28 | .637 (16.2) | .750 (19.1) | 4.150 (105.4) | 6.688 (169.9) |
| 19 | 28 | .567 (14.4) | .680 (17.3) | 4.150 (105.4) | 6.688 (169.9) |
| 20 | 28 | .436 (11.1) | .530 (13.5) | 3.966 (100.7) | 4.688 (119.1) |
| 21 | 28 | .306 (7.8) | .375 (9.5) | 3.799 (96.5) | 3.844 (97.6) |
| 22 | 32 | 1.105 (28.1) | 1.230 (31.2) | 4.275 (108.6) | 8.188 (208.0) |
| 23 | 32 | 1.005 (25.5) | 1.130 (28.7) | 4.275 (108.6) | 7.188 (182.6) |
| 24 | 32 | .930 (23.6) | 1.055 (26.8) | 4.212 (107.0) | 7.688 (195.3) |
| 25 | 32 | .857 (21.8) | .970 (24.6) | 4.150 (105.4) | 7.188 (182.6) |
| 26 | 32 | .755 (19.2) | .880 (22.4) | 4.212 (107.0) | 6.688 (169.9) |
| 27 | 32 | .637 (16.2) | .750 (19.1) | 4.150 (105.4) | 6.688 (169.9) |
| 28 | 32 | .436 (11.1) | .530 (13.5) | 3.966 (100.7) | 4.688 (119.1) |
| 29 | 32 | .306 (7.8) | .375 (9.5) | 3.846 (97.7) | 3.844 (97.6) |
| 30 | 36 | 1.320 (33.5) | 1.445 (36.7) | 4.337 (110.2) | 9.688 (246.1) |
| 31 | 36 | 1.250 (31.8) | 1.375 (34.9) | 4.337 (110.2) | 9.688 (246.1) |
| 32 | 36 | 1.185 (30.1) | 1.310 (33.3) | 4.275 (108.6) | 8.688 (220.7) |
| 33 | 36 | 1.105 (28.1) | 1.230 (31.2) | 4.275 (108.6) | 8.188 (208.0) |
| 34 | 36 | 1.055 (26.8) | 1.180 (30.0) | 4.275 (108.6) | 8.188 (208.0) |
| 35 | 36 | .984 (25.0) | 1.109 (28.2) | 4.212 (107.0) | 7.688 (195.3) |
| 36 | 36 | .857 (21.8) | .970 (24.6) | 4.154 (105.5) | 7.188 (182.6) |
| 37 | 40 | 1.815 (46.1) | 1.940 (49.3) | 5.673 (144.1) | 13.188 (335.0) |
| 38 | 40 | 1.700 (43.2) | 1.825 (46.4) | 5.673 (144.1) | 13.188 (335.0) |
| 39 | 40 | 1.605 (40.8) | 1.730 (43.9) | 5.673 (144.1) | 13.188 (335.0) |
| 40 | 40 | 1.531 (38.9) | 1.656 (42.1) | 5.373 (136.5) | 12.688 (322.3) |
| 41 | 44 | 1.862 (47.3) | 2.000 (50.8) | 5.673 (144.1) | 14.188 (360.4) |
| 42 | 44 | 1.775 (45.1) | 1.900 (48.3) | 4.594 (116.7) | 12.688 (322.3) |

Dimensions in inches (millimeters) and are subject to change without notice.

AS85049/6 and MS3189A 45° EMI/RFI Environmental Backshell



AS85049

B

| CONNECTOR DESIGNATOR: | |
|-----------------------|---|
| A | AS50151 Series 34001 |
| | MIL-DTL-26482 Series II |
| | AS81703 Series III |
| | MIL-DTL-83723 Series I & III |
| | 40M39569, DEF 5326-3, EN 2997 |
| | EN 3646, ESC 10, ESC 11, LN 29504 |
| | NFC93422 Series HE302 PAN 6432-1, PAN 6432-2, PATT 602 |

Basic Part Number Dash Number (Table II)

M85049/6 - 21 W

Finish / Material

B = Black Cadmium / Stainless Steel
N = Electroless Nickel / Aluminum
S = Passivated / Stainless Steel
W = 1,000 Hr. Cadmium Olive Drab over Electroless Nickel / Aluminum
X = Aluminum, Nickel Fluorocarbon Polymer
Z = Aluminum, Zinc-Nickel, Black
XS = Stainless Steel, Nickel Fluorocarbon Polymer
ZS = Stainless Steel, Zinc-Nickel, Black

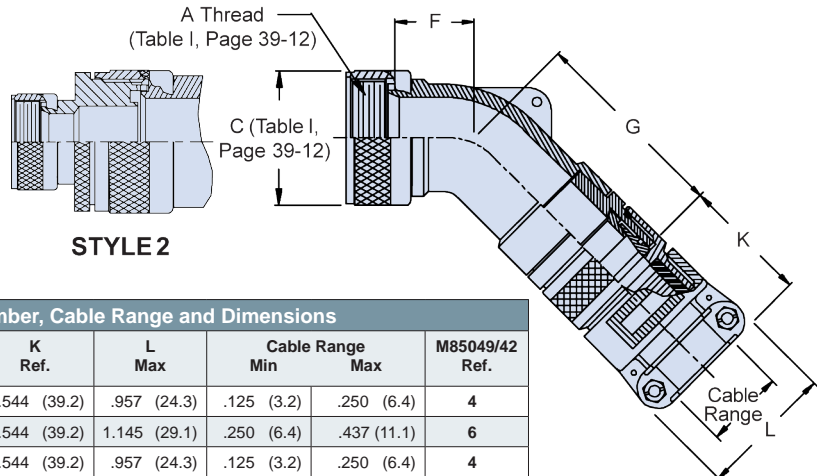
Superseded Part Number

MS3189A 21 C

Basic Part No. Dash No.

Finish (Material is Aluminum Only)

A = Cadmium Olive Drab over Nickel
C = Cadmium Olive Drab
N = Electroless Nickel



| TABLE I: Dash Number, Cable Range and Dimensions | | | | | | | | | |
|--|------------|--------------|--------------|--------------|--------------|-------------|--------------|----------------|--|
| Dash No. | Shell Size | F Max | G Max | K Ref. | L Max | Cable Range | | M85049/42 Ref. | |
| | | | | | | Min | Max | | |
| 1 | 3 | .686 (17.4) | 2.034 (51.7) | 1.544 (39.2) | .957 (24.3) | .125 (3.2) | .250 (6.4) | 4 | |
| 2 | 3 | 1.500 (38.1) | 1.306 (33.2) | 1.544 (39.2) | 1.145 (29.1) | .250 (6.4) | .437 (11.1) | 6 | |
| 3 | 8 | .625 (15.9) | 1.974 (50.1) | 1.544 (39.2) | .957 (24.3) | .125 (3.2) | .250 (6.4) | 4 | |
| 4 | 10 | .686 (17.4) | 1.369 (34.8) | 1.544 (39.2) | .957 (24.3) | .125 (3.2) | .312 (7.9) | 4 | |
| 5 | 10 | .686 (17.4) | 2.034 (51.7) | 1.544 (39.2) | 1.145 (29.1) | .250 (6.4) | .375 (9.5) | 6 | |
| 6 | 12 | .750 (19.1) | 2.034 (51.7) | 1.544 (39.2) | .957 (24.3) | .125 (3.2) | .312 (7.9) | 4 | |
| 7 | 12 | .750 (19.1) | 2.034 (51.7) | 1.544 (39.2) | 1.145 (29.1) | .250 (6.4) | .437 (11.1) | 6 | |
| 8 | 12 | .750 (19.1) | 2.124 (53.9) | 1.844 (46.8) | 1.332 (33.8) | .350 (8.9) | .500 (12.7) | 10 | |
| 9 | 14 | .813 (20.7) | 1.779 (45.2) | 1.544 (39.2) | 1.145 (29.1) | .250 (6.4) | .437 (11.1) | 6 | |
| 10 | 14 | .813 (20.7) | 2.234 (56.7) | 1.844 (46.8) | 1.332 (33.8) | .350 (8.9) | .575 (14.6) | 10 | |
| 11 | 16 | .906 (23.0) | 1.874 (47.6) | 1.544 (39.2) | 1.145 (29.1) | .250 (6.4) | .437 (11.1) | 6 | |
| 12 | 16 | .906 (23.0) | 2.424 (61.6) | 1.916 (48.7) | 1.551 (39.4) | .500 (12.7) | .700 (17.8) | 12 | |
| 13 | 18 | 1.093 (27.8) | 2.062 (52.4) | 1.844 (46.8) | 1.332 (33.8) | .350 (8.9) | .625 (15.9) | 10 | |
| 14 | 18 | 1.093 (27.8) | 2.424 (61.6) | 2.000 (50.8) | 1.770 (45.0) | .625 (15.9) | .779 (19.8) | 16 | |
| 15 | 20 | 1.093 (27.8) | 2.062 (52.4) | 1.844 (46.8) | 1.332 (33.8) | .350 (8.9) | .625 (15.9) | 10 | |
| 16 | 20 | 1.093 (27.8) | 2.574 (65.4) | 2.000 (50.8) | 1.770 (45.0) | .625 (15.9) | .904 (23.0) | 16 | |
| 17 | 22 | 1.188 (30.2) | 2.217 (56.3) | 1.916 (48.7) | 1.551 (39.4) | .500 (12.7) | .750 (19.1) | 12 | |
| 18 | 22 | 1.188 (30.2) | 2.574 (65.4) | 2.230 (56.6) | 2.113 (53.7) | .875 (22.2) | 1.029 (26.1) | 20 | |
| 19 | 24 | 1.188 (30.2) | 2.217 (56.3) | 1.916 (48.7) | 1.551 (39.4) | .500 (12.7) | .750 (19.1) | 12 | |
| 20 | 24 | 1.188 (30.2) | 2.624 (66.6) | 2.230 (56.6) | 2.113 (53.7) | .875 (22.2) | 1.144 (29.1) | 20 | |
| 21 | 28 | 1.313 (33.4) | 2.562 (65.1) | 2.000 (50.8) | 1.770 (45.0) | .625 (15.9) | .937 (23.8) | 16 | |

Continued on Page B-20

- APPLICATION NOTES**
- For complete dimensions see the applicable Military Specification.
 - When maximum cable entry is exceeded, Style 2 will be supplied.
 - Metric dimensions (mm) are in parentheses.
 - Cable Range is defined as the accommodation range for the wire bundle or cable. Dimensions shown are not intended for inspection criteria.

Dimensions in inches (millimeters) and are subject to change without notice.



AS85049/6 and MS3189A 45° EMI/RFI Environmental Backshell

B

TABLE I: Continued from Page B-19

| Dash No. | Shell Size | F Max | G Max | K Ref. | L Max | Cable Range | | M85049/42 Ref. |
|----------|------------|--------------|--------------|--------------|--------------|--------------|--------------|----------------|
| | | | | | | Min | Max | |
| 22 | 28 | 1.312 (33.3) | 2.280 (57.9) | 2.024 (51.4) | 2.363 (60.0) | 1.000 (25.4) | 1.375 (34.9) | 24 |
| 23 | 32 | 1.375 (34.9) | 2.724 (69.2) | 2.000 (50.8) | 1.770 (45.0) | .625 (15.9) | .937 (23.8) | 16 |
| 24 | 32 | 1.375 (34.9) | 2.724 (69.2) | 2.230 (56.6) | 2.113 (53.7) | .875 (22.2) | 1.250 (31.8) | 20 |
| 25 | 32 | 1.375 (34.9) | 2.374 (60.3) | 2.550 (64.8) | 2.770 (70.4) | 1.250 (31.8) | 1.625 (41.3) | 28 |
| 26 | 36 | 1.406 (35.7) | 2.814 (71.5) | 2.000 (50.8) | 1.770 (45.0) | .625 (15.9) | .937 (23.8) | 16 |
| 27 | 36 | 1.406 (35.7) | 2.814 (71.5) | 2.024 (51.4) | 2.363 (60.0) | 1.000 (25.4) | 1.375 (34.9) | 24 |
| 28 | 36 | 1.406 (35.7) | 2.468 (62.7) | 2.600 (66.0) | 3.020 (76.7) | 1.437 (36.5) | 1.840 (46.7) | 32 |
| 29 | 40 | 2.156 (54.8) | 2.634 (66.9) | 2.000 (50.8) | 1.770 (45.0) | .625 (15.9) | .937 (23.8) | 16 |
| 30 | 40 | 2.156 (54.8) | 2.634 (66.9) | 2.024 (51.4) | 2.363 (60.0) | 1.000 (25.4) | 1.375 (34.9) | 24 |
| 31 | 40 | 2.156 (54.8) | 2.468 (62.7) | 2.600 (66.0) | 3.020 (76.7) | 1.437 (36.5) | 1.875 (47.6) | 32 |
| 32 | 44 | 2.156 (54.8) | 2.814 (71.5) | 2.000 (50.8) | 1.770 (45.0) | .625 (15.9) | .937 (23.8) | 16 |
| 33 | 44 | 2.156 (54.8) | 2.468 (62.7) | 2.024 (51.4) | 2.363 (60.0) | 1.000 (25.4) | 1.375 (34.9) | 24 |
| 34 | 44 | 2.156 (54.8) | 2.468 (62.7) | 2.600 (66.0) | 3.020 (76.7) | 1.437 (36.5) | 1.875 (47.6) | 32 |
| 35 | 48 | 2.156 (54.8) | 2.814 (71.5) | 2.000 (50.8) | 1.770 (45.0) | .625 (15.9) | .937 (23.8) | 16 |
| 36 | 48 | 2.156 (54.8) | 2.814 (71.5) | 2.024 (51.4) | 2.363 (60.0) | 1.000 (25.4) | 1.375 (34.9) | 24 |
| 37 | 48 | 2.156 (54.8) | 2.468 (62.7) | 2.600 (66.0) | 3.020 (76.7) | 1.437 (36.5) | 1.875 (47.6) | 32 |
| 38 | 61 | 1.188 (30.2) | 2.574 (65.4) | 1.916 (48.7) | 1.551 (39.4) | .500 (12.7) | .750 (19.1) | 12 |
| 39 | 61 | 1.188 (30.2) | 2.217 (56.3) | 2.230 (56.6) | 2.113 (53.7) | .875 (22.2) | 1.184 (30.1) | 20 |
| 40 | 16 | .906 (23.0) | 2.234 (56.7) | 1.844 (46.8) | 1.332 (33.8) | .350 (8.9) | .625 (15.9) | 10 |
| 41 | 18 | 1.093 (27.8) | 2.424 (61.6) | 1.544 (39.2) | .957 (24.3) | .125 (3.2) | .312 (7.9) | 4 |
| 42 | 18 | 1.093 (27.8) | 2.424 (61.6) | 1.544 (39.2) | 1.145 (29.1) | .250 (6.4) | .437 (11.1) | 6 |
| 43 | 20 | 1.093 (27.8) | 2.424 (61.6) | 1.544 (39.2) | 1.145 (29.1) | .250 (6.4) | .437 (11.1) | 6 |
| 44 | 22 | 1.188 (30.2) | 2.574 (65.4) | 1.544 (39.2) | .957 (24.3) | .125 (3.2) | .312 (7.9) | 4 |
| 45 | 22 | 1.188 (30.2) | 2.574 (65.4) | 1.544 (39.2) | 1.145 (29.1) | .250 (6.4) | .437 (11.1) | 6 |
| 46 | 24 | 1.188 (30.2) | 2.574 (65.4) | 1.844 (46.8) | 1.332 (33.8) | .350 (8.9) | .625 (15.9) | 10 |
| 47 | 36 | 1.406 (35.7) | 2.814 (71.5) | 1.916 (48.7) | 1.551 (39.4) | .500 (12.7) | .750 (19.1) | 12 |
| 48 | 40 | 2.156 (54.8) | 2.814 (71.5) | 1.916 (48.7) | 1.551 (39.4) | .500 (12.7) | .750 (19.1) | 12 |
| 49* | 10 | 1.500 (38.1) | 2.034 (51.7) | 1.544 (39.2) | 1.145 (29.1) | .250 (6.4) | .437 (11.1) | 6 |
| 50* | 14 | 1.842 (46.8) | 2.424 (61.6) | 1.916 (48.7) | 1.551 (39.4) | .500 (12.7) | .750 (19.1) | 12 |
| 51* | 16 | 1.937 (49.2) | 2.574 (65.4) | 2.000 (50.8) | 1.770 (45.0) | .625 (15.9) | .937 (23.8) | 16 |
| 52 | 18 | 1.093 (27.8) | 2.424 (61.6) | 1.916 (48.7) | 1.551 (39.4) | .500 (12.7) | .750 (19.1) | 12 |
| 53 | 61 | 1.188 (30.2) | 2.574 (65.4) | 2.000 (50.8) | 1.770 (45.0) | .625 (15.9) | .937 (23.8) | 16 |
| 54 | 20 | 1.093 (27.8) | 2.424 (61.6) | 1.916 (48.7) | 1.551 (39.4) | .500 (12.7) | .750 (19.1) | 12 |
| 55* | 20 | 2.061 (52.3) | 2.624 (66.6) | 2.230 (56.6) | 2.113 (53.7) | .875 (22.2) | 1.250 (31.8) | 20 |
| 56 | 22 | 1.188 (30.2) | 2.574 (65.4) | 1.844 (46.8) | 1.332 (33.8) | .350 (8.9) | .625 (15.9) | 10 |
| 57 | 22 | 1.188 (30.2) | 2.574 (65.4) | 2.000 (50.8) | 1.770 (45.0) | .625 (15.9) | .937 (23.8) | 16 |
| 58* | 22 | 2.061 (52.3) | 2.624 (66.6) | 2.230 (56.6) | 2.113 (53.7) | .875 (22.2) | 1.250 (31.8) | 20 |
| 59 | 24 | 1.188 (30.2) | 2.574 (65.4) | 2.000 (50.8) | 1.770 (45.0) | .625 (15.9) | .937 (23.8) | 16 |
| 60 | 28 | 1.313 (33.4) | 2.624 (66.6) | 1.916 (48.7) | 1.551 (39.4) | .500 (12.7) | .750 (19.1) | 12 |
| 61 | 28 | 1.313 (33.4) | 2.624 (66.6) | 2.230 (56.6) | 2.113 (53.7) | .875 (22.2) | 1.250 (31.8) | 20 |
| 62 | 32 | 1.375 (34.9) | 2.724 (69.2) | 2.024 (51.4) | 2.363 (60.0) | 1.000 (25.4) | 1.375 (34.9) | 24 |
| 63 | 36 | 1.406 (35.7) | 2.814 (71.5) | 2.230 (56.6) | 2.113 (53.7) | .875 (22.2) | 1.250 (31.8) | 20 |
| 64 | 36 | 1.406 (35.7) | 2.814 (71.5) | 2.550 (64.8) | 2.770 (70.4) | 1.250 (31.8) | 1.625 (41.3) | 28 |
| 65 | 40 | 2.156 (54.8) | 2.814 (71.5) | 2.230 (56.6) | 2.113 (53.7) | .875 (22.2) | 1.250 (31.8) | 20 |
| 66 | 40 | 2.156 (54.8) | 2.814 (71.5) | 2.550 (64.8) | 2.770 (70.4) | 1.250 (31.8) | 1.625 (41.3) | 28 |
| 67 | 44 | 2.156 (54.8) | 2.814 (71.5) | 2.230 (56.6) | 2.113 (53.7) | .875 (22.2) | 1.250 (31.8) | 20 |
| 68 | 44 | 2.156 (54.8) | 2.814 (71.5) | 2.550 (64.8) | 2.770 (70.4) | 1.250 (31.8) | 1.625 (41.3) | 28 |
| 69 | 48 | 2.156 (54.8) | 2.814 (71.5) | 2.230 (56.6) | 2.113 (53.7) | .875 (22.2) | 1.250 (31.8) | 20 |
| 70 | 48 | 2.156 (54.8) | 2.814 (71.5) | 2.550 (64.8) | 2.770 (70.4) | 1.250 (31.8) | 1.625 (41.3) | 28 |
| 71* | 12 | 1.654 (42.0) | 2.234 (56.4) | 1.844 (46.8) | 1.332 (33.8) | .350 (8.9) | .625 (15.9) | 10 |
| 72* | 18 | 1.937 (49.2) | 2.574 (65.4) | 2.000 (50.8) | 1.770 (45.0) | .625 (15.9) | .937 (23.8) | 16 |
| 73* | 24 | 2.061 (52.3) | 2.624 (66.6) | 2.230 (56.6) | 2.116 (53.7) | .875 (22.2) | 1.250 (31.8) | 20 |
| 74 | 14 | .813 (20.7) | 2.124 (53.9) | 1.544 (39.2) | .957 (24.3) | .125 (3.2) | .312 (7.9) | 04 |
| 75 | 16 | .906 (23.0) | 2.234 (56.4) | 1.544 (39.2) | .957 (24.3) | .125 (3.2) | .312 (7.9) | 04 |

* Denotes Style 2

Dimensions in inches (millimeters) and are subject to change without notice.

AS85049/7 and MS3189B 45° Environmental Backshell



AS85049

B

CONNECTOR DESIGNATOR:

| | |
|----------|---|
| A | AS50151 Series AS34001 |
| | MIL-DTL-26482 Series II |
| | AS81703 Series III |
| | MIL-DTL-83723 Series I & III |
| | 40M39569, DEF 5326-3, EN 2997 |
| | EN 3646, ESC 10, ESC 11, LN 29504 |
| | NFC93422 Series HE302 PAN 6432-1, PAN 6432-2, PATT 602 |

Basic Part Number

Dash Number (Table II)

M85049/7 - 21 N

Superseded Part Number

MS3189B 21 N

Basic Part No.

Dash No.

Finish (Material is Aluminum Only)

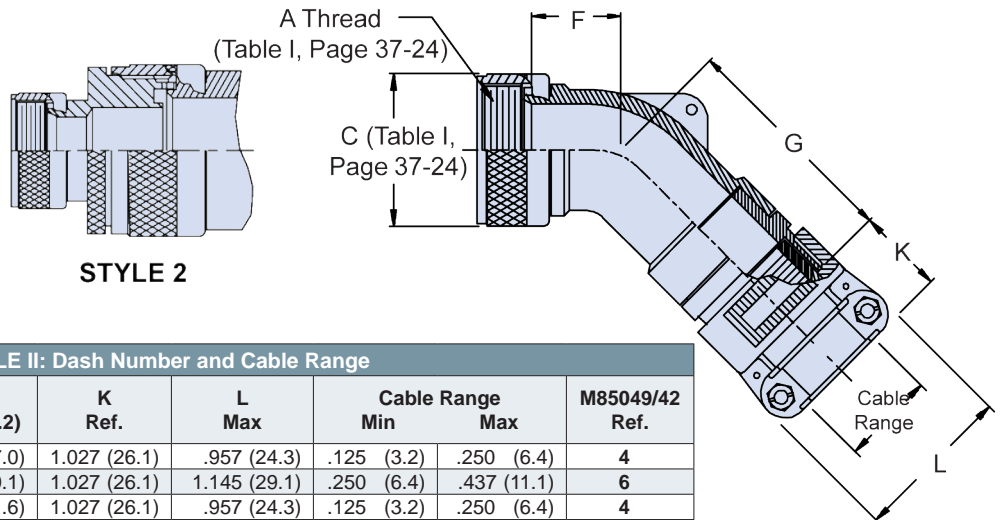
- A = Cadmium Olive Drab over Nickel
- C = Cadmium Olive Drab
- N = Electroless Nickel

Finish / Material

- B** = Black Cadmium / Stainless Steel
- N** = Electroless Nickel / Aluminum
- S** = Passivated / Stainless Steel
- W** = 1,000 Hr. Cadmium Olive Drab over Electroless Nickel / Aluminum
- X** = Nickel Fluorocarbon Polymer / Aluminum
- Y** = Pure Dense Electrodeposited Aluminum / Aluminum
- Z** = Zinc Nickel, Black / Aluminum
- XS** = Nickel Fluorocarbon Polymer / Stainless Steel
- YS** = Pure Dense Electrodeposited Aluminum / Stainless Steel
- ZS** = Zinc Nickel, Black / Stainless Steel

APPLICATION NOTES

- For complete dimensions see the applicable Military Specification.
- Metric dimensions (mm) are in parentheses.
- When maximum cable entry is exceeded, Style 2 will be supplied.
- Cable Range is defined as the accommodation range for the wire bundle or cable. Dimensions shown are not intended for inspection criteria.
- Approximate chain lengths: Dash No. 01-12 = 5.0 (127.0); Dash No. 13-29 = 6.0 (152.4).



STYLE 2

TABLE II: Dash Number and Cable Range

| Dash No. | Shell Size | F Max | G ± .125 (3.2) | K Ref. | L Max | Cable Range Min | Cable Range Max | M85049/42 Ref. |
|----------|------------|--------------|----------------|--------------|--------------|-----------------|-----------------|----------------|
| 1 | 03 | .688 (17.5) | 1.852 (47.0) | 1.027 (26.1) | .957 (24.3) | .125 (3.2) | .250 (6.4) | 4 |
| 2 | 03 | 1.500 (38.1) | 1.972 (50.1) | 1.027 (26.1) | 1.145 (29.1) | .250 (6.4) | .437 (11.1) | 6 |
| 3 | 08 | .625 (15.9) | 1.244 (31.6) | 1.027 (26.1) | .957 (24.3) | .125 (3.2) | .250 (6.4) | 4 |
| 4 | 10 | .688 (17.5) | 1.912 (48.6) | 1.027 (26.1) | .957 (24.3) | .125 (3.2) | .312 (7.9) | 4 |
| 5 | 10 | .688 (17.5) | 1.307 (33.2) | 1.027 (26.1) | 1.145 (29.1) | .250 (6.4) | .375 (9.5) | 6 |
| 6 | 12 | .750 (19.1) | 1.972 (50.1) | 1.027 (26.1) | .957 (24.3) | .125 (3.2) | .312 (7.9) | 4 |
| 7 | 12 | .750 (19.1) | 1.972 (50.1) | 1.027 (26.1) | 1.145 (29.1) | .250 (6.4) | .437 (11.1) | 6 |
| 8 | 12 | .750 (19.1) | 1.972 (50.1) | 1.027 (26.1) | 1.332 (33.8) | .350 (8.9) | .500 (12.7) | 10 |
| 9 | 14 | .812 (20.6) | 2.062 (52.4) | 1.027 (26.1) | 1.145 (29.1) | .250 (6.4) | .437 (11.1) | 6 |
| 10 | 14 | .812 (20.6) | 1.717 (43.6) | 1.027 (26.1) | 1.332 (33.8) | .350 (8.9) | .575 (14.6) | 10 |
| 11 | 16 | .906 (23.0) | 2.172 (55.2) | 1.027 (26.1) | 1.145 (29.1) | .250 (6.4) | .437 (11.1) | 6 |
| 12 | 16 | .906 (23.0) | 1.812 (46.0) | 1.059 (26.9) | 1.551 (39.4) | .500 (12.7) | .700 (17.8) | 12 |
| 13 | 18 | 1.093 (27.8) | 2.362 (60.0) | 1.027 (26.1) | 1.332 (33.8) | .350 (8.9) | .625 (15.9) | 10 |
| 14 | 18 | 1.093 (27.8) | 2.000 (50.8) | 1.156 (29.4) | 1.770 (45.0) | .625 (15.9) | .779 (19.8) | 16 |
| 15 | 20 | 1.093 (27.8) | 2.362 (60.0) | 1.027 (26.1) | 1.332 (33.8) | .350 (8.9) | .625 (15.9) | 10 |
| 16 | 20 | 1.093 (27.8) | 2.000 (50.8) | 1.156 (29.4) | 1.770 (45.0) | .625 (15.9) | .904 (23.0) | 16 |
| 17 | 22 | 1.188 (30.2) | 2.512 (63.8) | 1.059 (26.9) | 1.551 (39.4) | .500 (12.7) | .750 (19.1) | 12 |
| 18 | 22 | 1.188 (30.2) | 2.155 (54.7) | 1.375 (34.9) | 2.113 (53.7) | .875 (22.2) | 1.029 (26.1) | 20 |
| 19 | 24 | 1.188 (30.2) | 2.512 (63.8) | 1.059 (26.9) | 1.551 (39.4) | .500 (12.7) | .750 (19.1) | 12 |
| 20 | 24 | 1.188 (30.2) | 2.093 (53.2) | 1.375 (34.9) | 2.113 (53.7) | .875 (22.2) | 1.144 (29.1) | 20 |
| 21 | 28 | 1.312 (33.3) | 2.500 (63.5) | 1.156 (33.7) | 1.770 (45.0) | .625 (15.9) | .937 (23.8) | 16 |

Table Continued on Page B-22

Dimensions in inches (millimeters) and are subject to change without notice.



AS85049/7 and MS3189B 45° Environmental Backshell

TABLE II: Dash Number and Cable Range (Continued From Page B-21)

| Dash No. | Shell Size | F Max | G ± .125 (3.2) | K Ref. | L Max | Cable Range | | M85049/42 Ref. |
|----------|------------|--------------|----------------|--------------|--------------|--------------|--------------|----------------|
| | | | | | | Min | Max | |
| 22 | 28 | 1.312 (33.3) | 2.218 (56.3) | 1.500 (38.1) | 2.363 (60.0) | 1.000 (25.4) | 1.375 (34.9) | 24 |
| 23 | 32 | 1.375 (34.9) | 2.662 (67.6) | 1.156 (29.4) | 1.770 (45.0) | .625 (15.9) | .937 (23.8) | 16 |
| 24 | 32 | 1.375 (34.9) | 2.662 (67.6) | 1.375 (34.9) | 2.113 (53.7) | .875 (22.2) | 1.250 (31.8) | 20 |
| 25 | 32 | 1.375 (34.9) | 2.312 (58.7) | 1.781 (45.2) | 2.770 (70.4) | 1.250 (31.8) | 1.625 (41.3) | 28 |
| 26 | 36 | 1.406 (35.7) | 2.752 (69.9) | 1.156 (29.4) | 1.770 (45.0) | .625 (15.9) | .937 (23.8) | 16 |
| 27 | 36 | 1.406 (35.7) | 2.752 (69.9) | 1.500 (38.1) | 2.363 (60.0) | 1.000 (25.4) | 1.375 (34.9) | 24 |
| 28 | 36 | 1.406 (35.7) | 2.406 (61.1) | 1.830 (46.5) | 3.020 (76.7) | 1.437 (36.5) | 1.840 (46.7) | 32 |
| 29 | 40 | 2.156 (54.8) | 2.752 (69.9) | 1.156 (29.4) | 1.770 (45.0) | .625 (15.9) | .937 (23.8) | 16 |
| 30 | 40 | 2.156 (54.8) | 2.752 (69.9) | 1.500 (38.1) | 2.363 (60.0) | 1.000 (25.4) | 1.375 (34.9) | 24 |
| 31 | 40 | 2.156 (54.8) | 2.406 (61.1) | 1.830 (46.5) | 3.020 (76.7) | 1.437 (36.5) | 1.875 (47.6) | 32 |
| 32 | 44 | 2.156 (54.8) | 2.752 (69.9) | 1.156 (29.4) | 1.770 (45.0) | .625 (15.9) | .937 (23.8) | 16 |
| 33 | 44 | 2.156 (54.8) | 2.752 (69.9) | 1.500 (38.1) | 2.363 (60.0) | 1.000 (25.4) | 1.375 (34.9) | 24 |
| 34 | 44 | 2.156 (54.8) | 2.406 (61.1) | 1.830 (46.5) | 3.020 (76.7) | 1.437 (36.5) | 1.875 (47.6) | 32 |
| 35 | 48 | 2.156 (54.8) | 2.752 (69.9) | 1.156 (29.4) | 1.770 (45.0) | .625 (15.9) | .937 (23.8) | 16 |
| 36 | 48 | 2.156 (54.8) | 2.752 (69.9) | 1.500 (38.1) | 2.363 (60.0) | 1.000 (25.4) | 1.375 (34.9) | 24 |
| 37 | 48 | 2.156 (54.8) | 2.406 (61.1) | 1.830 (46.5) | 3.020 (76.7) | 1.437 (36.5) | 1.875 (47.6) | 32 |
| 38 | 61 | 1.188 (30.2) | 2.512 (63.8) | 1.059 (26.9) | 1.551 (39.4) | .500 (12.7) | .750 (19.1) | 12 |
| 39 | 61 | 1.188 (30.2) | 2.155 (54.7) | 1.375 (34.9) | 2.113 (53.7) | .875 (22.2) | 1.184 (30.1) | 20 |
| 40 | 16 | .906 (23.0) | 2.172 (55.2) | 1.027 (26.1) | 1.332 (33.8) | .350 (8.9) | .625 (15.9) | 10 |
| 41 | 18 | 1.093 (27.8) | 2.362 (60.0) | 1.027 (26.1) | .957 (24.3) | .125 (3.2) | .312 (7.9) | 4 |
| 42 | 18 | 1.093 (27.8) | 2.362 (60.0) | 1.027 (26.1) | 1.145 (29.1) | .250 (6.4) | .437 (11.1) | 6 |
| 43 | 20 | 1.093 (27.8) | 2.362 (60.0) | 1.027 (26.1) | 1.145 (29.1) | .250 (6.4) | .437 (11.1) | 6 |
| 44 | 22 | 1.188 (30.2) | 2.512 (63.8) | 1.027 (26.1) | .957 (24.3) | .125 (3.2) | .312 (7.9) | 4 |
| 45 | 22 | 1.188 (30.2) | 2.512 (63.8) | 1.027 (26.1) | 1.145 (29.1) | .250 (6.4) | .437 (11.1) | 6 |
| 46 | 24 | 1.188 (30.2) | 2.512 (63.8) | 1.027 (26.1) | 1.332 (33.8) | .350 (8.9) | .625 (15.9) | 10 |
| 47 | 36 | 1.406 (35.7) | 2.752 (69.9) | 1.059 (26.9) | 1.551 (39.4) | .500 (12.7) | .750 (19.1) | 12 |
| 48 | 40 | 2.156 (54.8) | 2.752 (69.9) | 1.059 (26.9) | 1.551 (39.4) | .500 (12.7) | .750 (19.1) | 12 |
| 49* | 10 | 1.500 (38.1) | 1.972 (50.1) | 1.027 (26.1) | 1.145 (29.1) | .250 (6.4) | .437 (11.1) | 6 |
| 50* | 14 | 1.842 (46.8) | 2.362 (60.0) | 1.059 (26.9) | 1.551 (39.4) | .500 (12.7) | .750 (19.1) | 12 |
| 51* | 16 | 1.938 (49.2) | 2.512 (63.8) | 1.156 (29.4) | 1.770 (45.0) | .625 (15.9) | .937 (23.8) | 16 |
| 52 | 18 | 1.093 (27.8) | 2.362 (60.0) | 1.059 (26.9) | 1.551 (39.4) | .500 (12.7) | .750 (19.1) | 12 |
| 53 | 61 | 1.188 (30.2) | 2.512 (63.8) | 1.156 (29.4) | 1.770 (45.0) | .625 (15.9) | .937 (23.8) | 16 |
| 54 | 20 | 1.093 (27.8) | 2.362 (60.0) | 1.059 (26.9) | 1.551 (39.4) | .500 (12.7) | .750 (19.1) | 12 |
| 55* | 20 | 2.061 (52.3) | 2.562 (65.1) | 1.375 (34.9) | 2.113 (53.7) | .875 (22.2) | 1.250 (31.8) | 20 |
| 56 | 22 | 1.188 (30.2) | 2.512 (63.8) | 1.027 (26.1) | 1.332 (33.8) | .350 (8.9) | .625 (15.9) | 10 |
| 57 | 22 | 1.188 (30.2) | 2.512 (63.8) | 1.156 (29.4) | 1.770 (45.0) | .625 (15.9) | .937 (23.8) | 16 |
| 58* | 22 | 2.061 (52.3) | 2.562 (65.1) | 1.375 (34.9) | 2.113 (53.7) | .875 (22.2) | 1.250 (31.8) | 20 |
| 59 | 24 | 1.188 (30.2) | 2.512 (63.8) | 1.156 (29.4) | 1.770 (45.0) | .625 (15.9) | .937 (23.8) | 16 |
| 60 | 28 | 1.312 (33.3) | 2.562 (65.1) | 1.059 (26.9) | 1.551 (39.4) | .500 (12.7) | .750 (19.1) | 12 |
| 61 | 28 | 1.312 (33.3) | 2.562 (65.1) | 1.375 (34.9) | 2.113 (53.7) | .875 (22.2) | 1.250 (31.8) | 20 |
| 62 | 32 | 1.375 (34.9) | 2.662 (67.6) | 1.500 (38.1) | 2.363 (60.0) | 1.000 (25.4) | 1.375 (34.9) | 24 |
| 63 | 36 | 1.406 (35.7) | 2.752 (69.9) | 1.375 (34.9) | 2.113 (53.7) | .875 (22.2) | 1.250 (31.8) | 20 |
| 64 | 36 | 1.406 (35.7) | 2.752 (69.9) | 1.781 (45.2) | 2.770 (70.4) | 1.250 (31.8) | 1.625 (41.3) | 28 |
| 65 | 40 | 2.156 (54.8) | 2.752 (69.9) | 1.375 (34.9) | 2.113 (53.7) | .875 (22.2) | 1.250 (31.8) | 20 |
| 66 | 40 | 2.156 (54.8) | 2.752 (69.9) | 1.781 (45.2) | 2.770 (70.4) | 1.250 (31.8) | 1.625 (41.3) | 28 |
| 67 | 44 | 2.156 (54.8) | 2.752 (69.9) | 1.375 (34.9) | 2.113 (53.7) | .875 (22.2) | 1.250 (31.8) | 20 |
| 68 | 44 | 2.156 (54.8) | 2.752 (69.9) | 1.781 (45.2) | 2.770 (70.4) | 1.250 (31.8) | 1.625 (41.3) | 28 |
| 69 | 48 | 2.156 (54.8) | 2.752 (69.9) | 1.375 (34.9) | 2.113 (53.7) | .875 (22.2) | 1.250 (31.8) | 20 |
| 70 | 48 | 2.156 (54.8) | 2.752 (69.9) | 1.781 (45.2) | 2.770 (70.4) | 1.250 (31.8) | 1.625 (41.3) | 28 |
| 71* | 12 | 1.654 (42.0) | 2.173 (55.2) | 1.027 (26.1) | 1.332 (33.8) | .350 (8.9) | .625 (15.9) | 10 |
| 72* | 18 | 1.938 (49.2) | 2.512 (63.8) | 1.156 (29.4) | 1.770 (45.0) | .625 (15.9) | .937 (23.8) | 16 |
| 73* | 24 | 2.061 (52.3) | 2.562 (65.1) | 1.375 (34.9) | 2.113 (53.7) | .875 (22.2) | 1.250 (31.8) | 20 |
| 74 | 14 | .812 (20.6) | 2.062 (52.4) | 1.027 (26.1) | .957 (24.3) | .125 (3.2) | .312 (7.9) | 4 |
| 75 | 16 | .906 (23.0) | 2.172 (55.2) | 1.027 (26.1) | .957 (24.3) | .125 (3.2) | .312 (7.9) | 4 |

Dimensions in inches (millimeters) and are subject to change without notice.

AS85049/8 and MS3188A 90° EMI/RFI Environmental Backshell



AS85049

B

CONNECTOR DESIGNATOR:

A
AS50151 Series AS34001
MIL-DTL-26482 Series II
AS81703 Series III
MIL-DTL-83723 Series I & III
40M39569, DEF 5326-3, EN 2997
EN 3646, ESC 10, ESC 11,
LN 29504
NFC93422 Series HE302
PAN 6432-1, PAN 6432-2,
PATT 602

Basic
Part Number

Dash Number
(Table I)

M85049/8

- 21

W

Superseded
Part Number

MS3188A 21 C

Basic
Part No.

Dash
No.

**Finish
(Material is Aluminum Only)**

A = Cadmium Olive Drab over Nickel
C = Cadmium Olive Drab
N = Electroless Nickel

Finish / Material

B = Black Cadmium / Stainless Steel
N = Electroless Nickel / Aluminum
S = Passivated / Stainless Steel
W = 1,000 Hr. Cadmium Olive Drab
over Electroless Nickel / Aluminum
X = Aluminum, Nickel Fluorocarbon Polymer
Z = Aluminum, Zinc-Nickel, Black
XS = Stainless Steel, Nickel Fluorocarbon Polymer
ZS = Stainless Steel, Zinc-Nickel, Black

APPLICATION NOTES

- For complete dimensions see the applicable Military Specification.
- When maximum cable entry is exceeded, Style 2 will be supplied.
- Metric dimensions (mm) are in parentheses.
- Cable Range is defined as the accommodation range for the wire bundle or cable. Dimensions shown are not intended for inspection criteria.

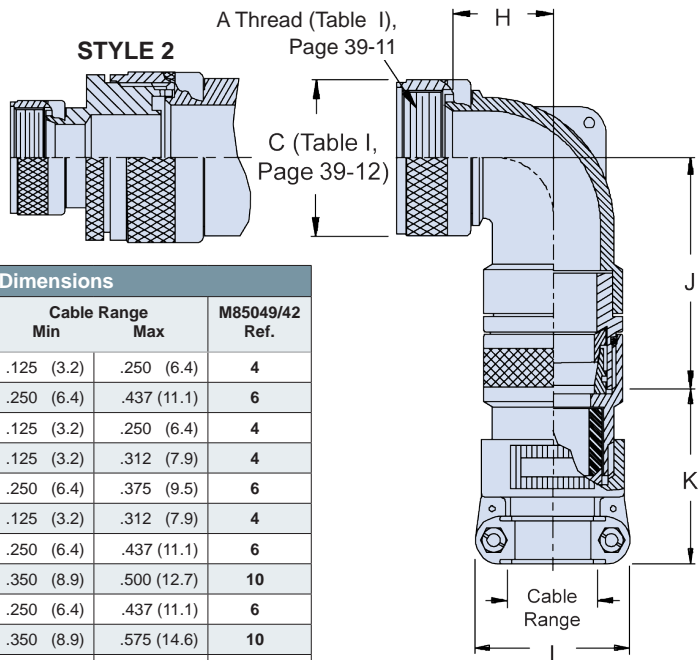


TABLE I: Dash Number, Cable Range and Dimensions

| Dash No. | Shell Size | H Max | J Max | K Ref. | L Max | Cable Range Min | Cable Range Max | M85049/42 Ref. |
|----------|------------|--------------|--------------|--------------|--------------|-----------------|-----------------|----------------|
| 1 | 3 | .761 (19.3) | 1.924 (48.9) | 1.544 (39.2) | .957 (24.3) | .125 (3.2) | .250 (6.4) | 4 |
| 2 | 3 | 1.511 (38.4) | 1.444 (36.7) | 1.544 (39.2) | 1.145 (29.1) | .250 (6.4) | .437 (11.1) | 6 |
| 3 | 8 | .666 (16.9) | 1.324 (33.6) | 1.544 (39.2) | .957 (24.3) | .125 (3.2) | .250 (6.4) | 4 |
| 4 | 10 | .761 (19.3) | 2.044 (51.9) | 1.544 (39.2) | .957 (24.3) | .125 (3.2) | .312 (7.9) | 4 |
| 5 | 10 | .761 (19.3) | 1.444 (36.7) | 1.544 (39.2) | 1.145 (29.1) | .250 (6.4) | .375 (9.5) | 6 |
| 6 | 12 | .766 (19.5) | 2.064 (52.4) | 1.544 (39.2) | .957 (24.3) | .125 (3.2) | .312 (7.9) | 4 |
| 7 | 12 | .766 (19.5) | 2.064 (52.4) | 1.544 (39.2) | 1.145 (29.1) | .250 (6.4) | .437 (11.1) | 6 |
| 8 | 12 | .766 (19.5) | 1.459 (37.1) | 1.844 (46.8) | 1.332 (33.8) | .350 (8.9) | .500 (12.7) | 10 |
| 9 | 14 | .866 (22.0) | 2.134 (54.2) | 1.544 (39.2) | 1.145 (29.1) | .250 (6.4) | .437 (11.1) | 6 |
| 10 | 14 | .866 (22.0) | 1.779 (45.2) | 1.844 (46.8) | 1.332 (33.8) | .350 (8.9) | .575 (14.6) | 10 |
| 11 | 16 | 1.051 (26.7) | 2.224 (56.5) | 1.544 (39.2) | 1.145 (29.1) | .250 (6.4) | .437 (11.1) | 6 |
| 12 | 16 | 1.051 (26.7) | 1.869 (47.5) | 1.916 (48.7) | 1.551 (39.4) | .500 (12.7) | .700 (17.8) | 12 |
| 13 | 18 | 1.141 (29.0) | 2.394 (60.8) | 1.844 (46.8) | 1.332 (33.8) | .350 (8.9) | .625 (15.9) | 10 |
| 14 | 18 | 1.141 (29.0) | 2.044 (51.9) | 2.000 (50.8) | 1.770 (45.0) | .625 (15.9) | .779 (19.8) | 16 |
| 15 | 20 | 1.141 (29.0) | 2.394 (60.8) | 1.844 (46.8) | 1.332 (33.8) | .350 (8.9) | .625 (15.9) | 10 |
| 16 | 20 | 1.141 (29.0) | 2.044 (51.9) | 2.000 (50.8) | 1.770 (45.0) | .625 (15.9) | .904 (23.0) | 16 |
| 17 | 22 | 1.291 (32.8) | 2.504 (63.6) | 1.916 (48.7) | 1.551 (39.4) | .500 (12.7) | .750 (19.1) | 12 |
| 18 | 22 | 1.291 (32.8) | 2.149 (54.6) | 2.230 (56.6) | 2.113 (53.7) | .875 (22.2) | 1.029 (26.1) | 20 |
| 19 | 24 | 1.291 (32.8) | 2.504 (63.6) | 1.916 (48.7) | 1.551 (39.4) | .500 (12.7) | .750 (19.1) | 12 |
| 20 | 24 | 1.291 (32.8) | 2.149 (54.6) | 2.230 (56.6) | 2.113 (53.7) | .875 (22.2) | 1.144 (29.1) | 20 |
| 21 | 28 | 1.391 (35.3) | 2.674 (67.9) | 2.000 (50.8) | 1.770 (45.0) | .625 (15.9) | .937 (23.8) | 16 |

Continued on Page B-23

Dimensions in inches (millimeters) and are subject to change without notice.

© 2013 Glenair, Inc.

U.S. CAGE Code 06324

Printed in U.S.A.



AS85049/8 and MS3188A 90° EMI/RFI Environmental Backshell

B

TABLE I: Continued from Page B-23

| Dash No. | Shell Size | H Max | J Max | K Ref. | L Max | Cable Range | | M85049/42 Ref. |
|----------|------------|--------------|--------------|--------------|--------------|--------------|--------------|----------------|
| | | | | | | Min | Max | |
| 22 | 28 | 1.391 (35.3) | 2.319 (58.9) | 2.024 (51.4) | 2.363 (60.0) | 1.000 (25.4) | 1.375 (34.9) | 24 |
| 23 | 32 | 1.741 (44.2) | 2.924 (74.3) | 2.000 (50.8) | 1.770 (45.0) | .625 (15.9) | .937 (23.8) | 16 |
| 24 | 32 | 1.741 (44.2) | 2.924 (74.3) | 2.230 (56.6) | 2.113 (53.7) | .875 (22.2) | 1.250 (31.8) | 20 |
| 25 | 32 | 1.741 (44.2) | 2.569 (65.3) | 2.550 (64.8) | 2.770 (70.4) | 1.250 (31.8) | 1.625 (41.3) | 28 |
| 26 | 36 | 1.941 (49.3) | 2.894 (73.5) | 2.000 (50.8) | 1.770 (45.0) | .625 (15.9) | .937 (23.8) | 16 |
| 27 | 36 | 1.941 (49.3) | 2.894 (73.5) | 2.024 (51.4) | 2.363 (60.0) | 1.000 (25.4) | 1.375 (34.9) | 24 |
| 28 | 36 | 1.941 (49.3) | 2.539 (64.5) | 2.600 (66.0) | 3.020 (76.7) | 1.437 (36.5) | 1.840 (46.7) | 32 |
| 29 | 40 | 2.691 (68.4) | 2.894 (73.5) | 2.000 (50.8) | 1.770 (45.0) | .625 (15.9) | .937 (23.8) | 16 |
| 30 | 40 | 2.691 (68.4) | 2.894 (73.5) | 2.024 (51.4) | 2.363 (60.0) | 1.000 (25.4) | 1.375 (34.9) | 24 |
| 31 | 40 | 2.691 (68.4) | 2.539 (64.5) | 2.600 (66.0) | 3.020 (76.7) | 1.437 (36.5) | 1.875 (47.6) | 32 |
| 32 | 44 | 2.691 (68.4) | 2.894 (73.5) | 2.000 (50.8) | 1.770 (45.0) | .625 (15.9) | .937 (23.8) | 16 |
| 33 | 44 | 2.691 (68.4) | 2.894 (73.5) | 2.024 (51.4) | 2.363 (60.0) | 1.000 (25.4) | 1.375 (34.9) | 24 |
| 34 | 44 | 2.691 (68.4) | 2.539 (64.5) | 2.600 (66.0) | 3.020 (76.7) | 1.437 (36.5) | 1.875 (47.6) | 32 |
| 35 | 48 | 2.691 (68.4) | 2.894 (73.5) | 2.000 (50.8) | 1.770 (45.0) | .625 (15.9) | .937 (23.8) | 16 |
| 36 | 48 | 2.691 (68.4) | 2.894 (73.5) | 2.024 (51.4) | 2.363 (60.0) | 1.000 (25.4) | 1.375 (34.9) | 24 |
| 37 | 48 | 2.691 (68.4) | 2.539 (64.5) | 2.600 (66.0) | 3.020 (76.7) | 1.437 (36.5) | 1.875 (47.6) | 32 |
| 38 | 61 | 1.291 (32.8) | 2.504 (63.6) | 1.916 (48.7) | 1.551 (39.4) | .500 (12.7) | .750 (19.1) | 12 |
| 39 | 61 | 1.291 (32.8) | 2.149 (54.6) | 2.230 (56.6) | 2.113 (53.7) | .875 (22.2) | 1.184 (30.1) | 20 |
| 40 | 16 | 1.051 (26.7) | 2.224 (56.5) | 1.844 (46.8) | 1.332 (33.8) | .350 (8.9) | .625 (15.9) | 10 |
| 41 | 18 | 1.141 (29.0) | 2.394 (60.8) | 1.544 (39.2) | .957 (24.3) | .125 (3.2) | .312 (7.9) | 4 |
| 42 | 18 | 1.141 (29.0) | 2.394 (60.8) | 1.544 (39.2) | 1.145 (29.1) | .250 (6.4) | .437 (11.1) | 6 |
| 43 | 20 | 1.141 (29.0) | 2.394 (60.8) | 1.544 (39.2) | 1.145 (29.1) | .250 (6.4) | .437 (11.1) | 6 |
| 44 | 22 | 1.291 (32.8) | 2.504 (63.6) | 1.544 (39.2) | .957 (24.3) | .125 (3.2) | .312 (7.9) | 4 |
| 45 | 22 | 1.291 (32.8) | 2.504 (63.6) | 1.544 (39.2) | 1.145 (29.1) | .250 (6.4) | .437 (11.1) | 6 |
| 46 | 24 | 1.291 (32.8) | 2.504 (63.6) | 1.844 (46.8) | 1.332 (33.8) | .350 (8.9) | .625 (15.9) | 10 |
| 47 | 36 | 1.941 (49.3) | 2.894 (73.5) | 1.916 (48.7) | 1.551 (39.4) | .500 (12.7) | .750 (19.1) | 12 |
| 48 | 40 | 1.941 (49.3) | 2.894 (73.5) | 1.916 (48.7) | 1.551 (39.4) | .500 (12.7) | .750 (19.1) | 12 |
| 49* | 10 | 1.516 (38.5) | 2.064 (52.4) | 1.544 (39.2) | 1.145 (29.1) | .250 (6.4) | .437 (11.1) | 6 |
| 50* | 14 | 1.891 (48.0) | 2.394 (60.8) | 1.916 (48.7) | 1.551 (39.4) | .500 (12.7) | .750 (19.1) | 12 |
| 51* | 16 | 2.041 (51.8) | 2.504 (63.6) | 2.000 (50.8) | 1.770 (45.0) | .625 (15.9) | .937 (23.8) | 16 |
| 52 | 18 | 1.141 (29.0) | 2.394 (60.8) | 1.916 (48.7) | 1.551 (39.4) | .500 (12.7) | .750 (19.1) | 12 |
| 53 | 61 | 1.291 (32.8) | 2.149 (54.6) | 2.000 (50.8) | 1.770 (45.0) | .625 (15.9) | .937 (23.8) | 16 |
| 54 | 20 | 1.141 (29.0) | 2.394 (60.8) | 1.916 (48.7) | 1.551 (39.4) | .500 (12.7) | .750 (19.1) | 12 |
| 55* | 20 | 2.141 (54.4) | 2.674 (67.9) | 2.230 (56.6) | 2.113 (53.7) | .875 (22.2) | 1.250 (31.8) | 20 |
| 56 | 22 | 1.291 (32.8) | 2.504 (63.6) | 1.844 (46.8) | 1.332 (33.8) | .350 (8.9) | .625 (15.9) | 10 |
| 57 | 22 | 1.291 (32.8) | 2.504 (63.6) | 2.000 (50.8) | 1.770 (45.0) | .625 (15.9) | .937 (23.8) | 16 |
| 58* | 22 | 2.141 (54.4) | 2.674 (67.9) | 2.230 (56.6) | 2.113 (53.7) | .875 (22.2) | 1.250 (31.8) | 20 |
| 59 | 24 | 1.291 (32.8) | 2.504 (63.6) | 2.000 (50.8) | 1.770 (45.0) | .625 (15.9) | .937 (23.8) | 16 |
| 60 | 28 | 1.391 (35.3) | 2.674 (67.9) | 1.916 (48.7) | 1.551 (39.4) | .500 (12.7) | .750 (19.1) | 12 |
| 61 | 28 | 1.391 (35.3) | 2.674 (67.9) | 2.230 (56.6) | 2.113 (53.7) | .875 (22.2) | 1.250 (31.8) | 20 |
| 62 | 32 | 1.741 (44.2) | 2.924 (74.3) | 2.024 (51.4) | 2.363 (60.0) | 1.000 (25.4) | 1.375 (34.9) | 24 |
| 63 | 36 | 1.941 (49.3) | 2.894 (73.5) | 2.230 (56.6) | 2.113 (53.7) | .875 (22.2) | 1.250 (31.8) | 20 |
| 64 | 36 | 1.941 (49.3) | 2.894 (73.5) | 2.550 (64.8) | 2.770 (70.4) | 1.250 (31.8) | 1.625 (41.3) | 28 |
| 65 | 40 | 2.691 (68.4) | 2.894 (73.5) | 2.230 (56.6) | 2.113 (53.7) | .875 (22.2) | 1.250 (31.8) | 20 |
| 66 | 40 | 2.691 (68.4) | 2.894 (73.5) | 2.550 (64.8) | 2.770 (70.4) | 1.250 (31.8) | 1.625 (41.3) | 28 |
| 67 | 44 | 2.691 (68.4) | 2.894 (73.5) | 2.230 (56.6) | 2.113 (53.7) | .875 (22.2) | 1.250 (31.8) | 20 |
| 68 | 44 | 2.691 (68.4) | 2.894 (73.5) | 2.550 (64.8) | 2.770 (70.4) | 1.250 (31.8) | 1.625 (41.3) | 28 |
| 69 | 48 | 2.691 (68.4) | 2.894 (73.5) | 2.230 (56.6) | 2.113 (53.7) | .875 (22.2) | 1.250 (31.8) | 20 |
| 70 | 48 | 2.691 (68.4) | 2.894 (73.5) | 2.550 (64.8) | 2.770 (70.4) | 1.250 (31.8) | 1.625 (41.3) | 28 |
| 71* | 12 | 1.811 (46.0) | 2.224 (56.5) | 1.844 (46.8) | 1.332 (33.8) | .350 (8.9) | .625 (15.9) | 10 |
| 72* | 18 | 2.051 (52.1) | 2.504 (63.6) | 2.000 (50.8) | 1.770 (45.0) | .625 (15.9) | .937 (23.8) | 16 |
| 73* | 24 | 2.151 (54.6) | 2.674 (67.9) | 2.230 (56.6) | 2.116 (53.7) | .875 (22.2) | 1.250 (31.8) | 20 |
| 74 | 14 | .866 (22.0) | 2.134 (54.2) | 1.544 (39.2) | .957 (24.3) | .125 (3.2) | .312 (7.9) | 04 |
| 75 | 16 | 1.051 (26.7) | 2.224 (56.5) | 1.544 (39.2) | .957 (24.3) | .125 (3.2) | .312 (7.9) | 04 |

* Denotes Style 2

Dimensions in inches (millimeters) and are subject to change without notice.

AS85049/9 and MS3188B 90° Environmental Backshell



AS85049

B

CONNECTOR DESIGNATOR:

A

AS50151 Series AS34001
MIL-DTL-26482 Series II
AS81703 Series III
MIL-DTL-83723 Series I & III
40M39569, DEF 5326-3, EN 2997
EN 3646, ESC 10, ESC 11, LN 29504
NFC93422 Series HE302
PAN 6432-1, PAN 6432-2, PATT 602

Basic Part Number

Dash Number (Table II)

M85049/9

- 21

N

Superseded Part Number

MS3188B 21 N

Basic Part No.

Dash No.

Finish (Material is Aluminum Only)

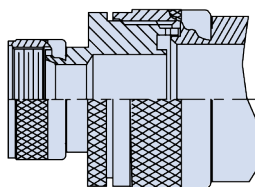
A = Cadmium Olive Drab over Nickel
C = Cadmium Olive Drab
N = Electroless Nickel

Finish / Material

B = Black Cadmium / Stainless Steel
N = Electroless Nickel / Aluminum
S = Passivated / Stainless Steel
W = 1,000 Hr. Cadmium Olive Drab over Electroless Nickel / Aluminum
X = Nickel Fluorocarbon Polymer
Y = Pure Dense Electrodeposited Aluminum
Z = Zinc Nickel
XS = Nickel Fluorocarbon Polymer / Stainless Steel
YS = Pure Dense Electrodeposited Aluminum / Stainless Steel
ZS = Zinc Nickel, Black / Stainless Steel

APPLICATION NOTES

- For complete dimensions see the applicable Military Specification.
- Metric dimensions (mm) are in parentheses.
- When maximum cable entry is exceeded, Style 2 will be supplied.
- Cable Range is defined as the accommodation range for the wire bundle or cable. Dimensions shown are not intended for inspection criteria.
- Approximate chain lengths: Dash No. 01-12 = 5.0 (127.0); Dash No. 13-29 = 6.0 (152.4).



STYLE 2

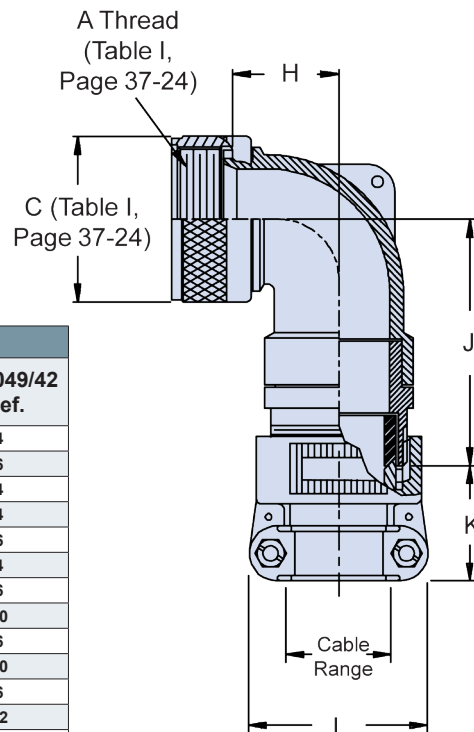


TABLE II: Dash Number and Cable Range (Continued on Page B-26)

| Dash No. | Shell Size | H Max | J Max | K Ref. | L Max | Cable Range Min | Cable Range Max | M85049/42 Ref. |
|----------|------------|--------------|--------------|--------------|--------------|-----------------|-----------------|----------------|
| 1 | 03 | .761 (19.3) | 1.862 (47.3) | 1.027 (26.1) | .957 (24.3) | .125 (3.2) | .250 (6.4) | 4 |
| 2 | 03 | 1.511 (38.4) | 1.382 (35.1) | 1.027 (26.1) | 1.145 (29.1) | .250 (6.4) | .437 (11.1) | 6 |
| 3 | 08 | .666 (16.9) | 1.262 (32.1) | 1.027 (26.1) | .957 (24.3) | .125 (3.2) | .250 (6.4) | 4 |
| 4 | 10 | .761 (19.3) | 1.982 (50.3) | 1.027 (26.1) | .957 (24.3) | .125 (3.2) | .312 (7.9) | 4 |
| 5 | 10 | .761 (19.3) | 1.382 (35.1) | 1.027 (26.1) | 1.145 (29.1) | .250 (6.4) | .375 (9.5) | 6 |
| 6 | 12 | .766 (19.5) | 2.002 (50.9) | 1.027 (26.1) | .957 (24.3) | .125 (3.2) | .312 (7.9) | 4 |
| 7 | 12 | .766 (19.5) | 2.002 (50.9) | 1.027 (26.1) | 1.145 (29.1) | .250 (6.4) | .437 (11.1) | 6 |
| 8 | 12 | .766 (19.5) | 1.397 (35.5) | 1.027 (26.1) | 1.332 (33.8) | .350 (8.9) | .500 (12.7) | 10 |
| 9 | 14 | .866 (22.0) | 2.072 (52.6) | 1.027 (26.1) | 1.145 (29.1) | .250 (6.4) | .437 (11.1) | 6 |
| 10 | 14 | .866 (22.0) | 1.717 (43.6) | 1.027 (26.1) | 1.332 (33.8) | .350 (8.9) | .575 (14.6) | 10 |
| 11 | 16 | 1.051 (26.7) | 2.162 (54.9) | 1.027 (26.1) | 1.145 (29.1) | .250 (6.4) | .437 (11.1) | 6 |
| 12 | 16 | 1.051 (26.7) | 1.807 (45.9) | 1.059 (26.9) | 1.551 (39.4) | .500 (12.7) | .700 (17.8) | 12 |
| 13 | 18 | 1.141 (29.0) | 2.332 (59.2) | 1.027 (26.1) | 1.332 (33.8) | .350 (8.9) | .625 (15.9) | 10 |
| 14 | 18 | 1.141 (29.0) | 1.982 (50.3) | 1.156 (29.4) | 1.770 (45.0) | .625 (15.9) | .779 (19.8) | 16 |
| 15 | 20 | 1.141 (29.0) | 2.332 (59.2) | 1.027 (26.1) | 1.332 (33.8) | .350 (8.9) | .625 (15.9) | 10 |
| 16 | 20 | 1.141 (29.0) | 1.982 (50.3) | 1.156 (29.4) | 1.770 (45.0) | .625 (15.9) | .904 (23.0) | 16 |
| 17 | 22 | 1.291 (32.8) | 2.442 (62.0) | 1.059 (26.9) | 1.551 (39.4) | .500 (12.7) | .750 (19.1) | 12 |
| 18 | 22 | 1.291 (32.8) | 2.087 (53.0) | 1.375 (34.9) | 2.113 (53.7) | .875 (22.2) | 1.029 (26.1) | 20 |
| 19 | 24 | 1.291 (32.8) | 2.442 (62.0) | 1.059 (26.9) | 1.551 (39.4) | .500 (12.7) | .750 (19.1) | 12 |
| 20 | 24 | 1.291 (32.8) | 2.087 (53.0) | 1.375 (34.9) | 2.113 (53.7) | .875 (22.2) | 1.144 (29.1) | 20 |
| 21 | 28 | 1.391 (35.3) | 2.612 (66.3) | 1.156 (33.7) | 1.770 (45.0) | .625 (15.9) | .937 (23.8) | 16 |

Table Continued on Page B-26

Dimensions in inches (millimeters) and are subject to change without notice.

© 2013 Glenair, Inc.

Mil-Spec Backshells

U.S. CAGE Code 06324

Rev. 8.29.14

Printed in U.S.A.



AS85049/9 and MS3188B 90° Environmental Backshell

TABLE II: Dash Number and Cable Range (Continued From Page B-25)

| Dash No. | Shell Size | H | | J | | K | | L | | Cable Range | | M85049/42 Ref. |
|----------|------------|--------------|--|--------------|--|--------------|--|--------------|--|--------------|--------------|----------------|
| | | Max | | Max | | Ref. | | Max | | Min | Max | |
| 22 | 28 | 1.391 (35.3) | | 2.257 (57.3) | | 1.500 (38.1) | | 2.363 (60.0) | | 1.000 (25.4) | 1.375 (34.9) | 24 |
| 23 | 32 | 1.741 (44.2) | | 2.862 (72.7) | | 1.156 (29.4) | | 1.770 (45.0) | | .625 (15.9) | .937 (23.8) | 16 |
| 24 | 32 | 1.741 (44.2) | | 2.862 (72.7) | | 1.375 (34.9) | | 2.113 (53.7) | | .875 (22.2) | 1.250 (31.8) | 20 |
| 25 | 32 | 1.741 (44.2) | | 2.507 (63.7) | | 1.781 (45.2) | | 2.770 (70.4) | | 1.250 (31.8) | 1.625 (41.3) | 28 |
| 26 | 36 | 1.941 (49.3) | | 2.832 (71.9) | | 1.156 (29.4) | | 1.770 (45.0) | | .625 (15.9) | .937 (23.8) | 16 |
| 27 | 36 | 1.941 (49.3) | | 2.832 (71.9) | | 1.500 (38.1) | | 2.363 (60.0) | | 1.000 (25.4) | 1.375 (34.9) | 24 |
| 28 | 36 | 1.941 (49.3) | | 2.477 (62.9) | | 1.830 (46.5) | | 3.020 (76.7) | | 1.437 (36.5) | 1.840 (46.7) | 32 |
| 29 | 40 | 2.691 (68.4) | | 2.832 (71.9) | | 1.156 (29.4) | | 1.770 (45.0) | | .625 (15.9) | .937 (23.8) | 16 |
| 30 | 40 | 2.691 (68.4) | | 2.832 (71.9) | | 1.500 (38.1) | | 2.363 (60.0) | | 1.000 (25.4) | 1.375 (34.9) | 24 |
| 31 | 40 | 2.691 (68.4) | | 2.477 (62.9) | | 1.830 (46.5) | | 3.020 (76.7) | | 1.437 (36.5) | 1.875 (47.6) | 32 |
| 32 | 44 | 2.691 (68.4) | | 2.832 (71.9) | | 1.156 (29.4) | | 1.770 (45.0) | | .625 (15.9) | .937 (23.8) | 16 |
| 33 | 44 | 2.691 (68.4) | | 2.832 (71.9) | | 1.500 (38.1) | | 2.363 (60.0) | | 1.000 (25.4) | 1.375 (34.9) | 24 |
| 34 | 44 | 2.691 (68.4) | | 2.477 (62.9) | | 1.830 (46.5) | | 3.020 (76.7) | | 1.437 (36.5) | 1.875 (47.6) | 32 |
| 35 | 48 | 2.691 (68.4) | | 2.832 (71.9) | | 1.156 (29.4) | | 1.770 (45.0) | | .625 (15.9) | .937 (23.8) | 16 |
| 36 | 48 | 2.691 (68.4) | | 2.832 (71.9) | | 1.500 (38.1) | | 2.363 (60.0) | | 1.000 (25.4) | 1.375 (34.9) | 24 |
| 37 | 48 | 2.691 (68.4) | | 2.477 (62.9) | | 1.830 (46.5) | | 3.020 (76.7) | | 1.437 (36.5) | 1.875 (47.6) | 32 |
| 38 | 61 | 1.291 (32.8) | | 2.442 (62.0) | | 1.059 (26.9) | | 1.551 (39.4) | | .500 (12.7) | .750 (19.1) | 12 |
| 39 | 61 | 1.291 (32.8) | | 2.087 (53.0) | | 1.375 (34.9) | | 2.113 (53.7) | | .875 (22.2) | 1.184 (30.1) | 20 |
| 40 | 16 | 1.051 (26.7) | | 2.162 (54.9) | | 1.027 (26.1) | | 1.332 (33.8) | | .350 (8.9) | .625 (15.9) | 10 |
| 41 | 18 | 1.141 (29.0) | | 2.332 (59.2) | | 1.027 (26.1) | | .957 (24.3) | | .125 (3.2) | .312 (7.9) | 4 |
| 42 | 18 | 1.141 (29.0) | | 2.332 (59.2) | | 1.027 (26.1) | | 1.145 (29.1) | | .250 (6.4) | .437 (11.1) | 6 |
| 43 | 20 | 1.141 (29.0) | | 2.332 (59.2) | | 1.027 (26.1) | | 1.145 (29.1) | | .250 (6.4) | .437 (11.1) | 6 |
| 44 | 22 | 1.291 (32.8) | | 2.442 (62.0) | | 1.027 (26.1) | | .957 (24.3) | | .125 (3.2) | .312 (7.9) | 4 |
| 45 | 22 | 1.291 (32.8) | | 2.442 (62.0) | | 1.027 (26.1) | | 1.145 (29.1) | | .250 (6.4) | .437 (11.1) | 6 |
| 46 | 24 | 1.291 (32.8) | | 2.442 (62.0) | | 1.027 (26.1) | | 1.332 (33.8) | | .350 (8.9) | .625 (15.9) | 10 |
| 47 | 36 | 1.941 (49.3) | | 2.832 (71.9) | | 1.059 (26.9) | | 1.551 (39.4) | | .500 (12.7) | .750 (19.1) | 12 |
| 48 | 40 | 1.941 (49.3) | | 2.832 (71.9) | | 1.059 (26.9) | | 1.551 (39.4) | | .500 (12.7) | .750 (19.1) | 12 |
| 49* | 10 | 1.516 (38.5) | | 2.002 (50.9) | | 1.027 (26.1) | | 1.145 (29.1) | | .250 (6.4) | .437 (11.1) | 6 |
| 50* | 14 | 1.891 (48.0) | | 2.332 (59.2) | | 1.059 (26.9) | | 1.551 (39.4) | | .500 (12.7) | .750 (19.1) | 12 |
| 51* | 16 | 2.041 (51.8) | | 2.442 (62.0) | | 1.156 (29.4) | | 1.770 (45.0) | | .625 (15.9) | .937 (23.8) | 16 |
| 52 | 18 | 1.141 (29.0) | | 2.332 (59.2) | | 1.059 (26.9) | | 1.551 (39.4) | | .500 (12.7) | .750 (19.1) | 12 |
| 53 | 61 | 1.291 (32.8) | | 2.087 (53.0) | | 1.156 (29.4) | | 1.770 (45.0) | | .625 (15.9) | .937 (23.8) | 16 |
| 54 | 20 | 1.141 (29.0) | | 2.332 (59.2) | | 1.059 (26.9) | | 1.551 (39.4) | | .500 (12.7) | .750 (19.1) | 12 |
| 55* | 20 | 2.141 (54.4) | | 2.612 (66.3) | | 1.375 (34.9) | | 2.113 (53.7) | | .875 (22.2) | 1.250 (31.8) | 20 |
| 56 | 22 | 1.291 (32.8) | | 2.442 (62.0) | | 1.027 (26.1) | | 1.332 (33.8) | | .350 (8.9) | .625 (15.9) | 10 |
| 57 | 22 | 1.291 (32.8) | | 2.442 (62.0) | | 1.156 (29.4) | | 1.770 (45.0) | | .625 (15.9) | .937 (23.8) | 16 |
| 58* | 22 | 2.141 (54.4) | | 2.612 (66.3) | | 1.375 (34.9) | | 2.113 (53.7) | | .875 (22.2) | 1.250 (31.8) | 20 |
| 59 | 24 | 1.291 (32.8) | | 2.442 (62.0) | | 1.156 (29.4) | | 1.770 (45.0) | | .625 (15.9) | .937 (23.8) | 16 |
| 60 | 28 | 1.391 (35.3) | | 2.612 (66.3) | | 1.059 (26.9) | | 1.551 (39.4) | | .500 (12.7) | .750 (19.1) | 12 |
| 61 | 28 | 1.391 (35.3) | | 2.612 (66.3) | | 1.375 (34.9) | | 2.113 (53.7) | | .875 (22.2) | 1.250 (31.8) | 20 |
| 62 | 32 | 1.741 (44.2) | | 2.862 (72.7) | | 1.500 (38.1) | | 2.363 (60.0) | | 1.000 (25.4) | 1.375 (34.9) | 24 |
| 63 | 36 | 1.941 (49.3) | | 2.832 (71.9) | | 1.375 (34.9) | | 2.113 (53.7) | | .875 (22.2) | 1.250 (31.8) | 20 |
| 64 | 36 | 1.941 (49.3) | | 2.832 (71.9) | | 1.781 (45.2) | | 2.770 (70.4) | | 1.250 (31.8) | 1.625 (41.3) | 28 |
| 65 | 40 | 2.691 (68.4) | | 2.832 (71.9) | | 1.375 (34.9) | | 2.113 (53.7) | | .875 (22.2) | 1.250 (31.8) | 20 |
| 66 | 40 | 2.691 (68.4) | | 2.832 (71.9) | | 1.781 (45.2) | | 2.770 (70.4) | | 1.250 (31.8) | 1.625 (41.3) | 28 |
| 67 | 44 | 2.691 (68.4) | | 2.832 (71.9) | | 1.375 (34.9) | | 2.113 (53.7) | | .875 (22.2) | 1.250 (31.8) | 20 |
| 68 | 44 | 2.691 (68.4) | | 2.832 (71.9) | | 1.781 (45.2) | | 2.770 (70.4) | | 1.250 (31.8) | 1.625 (41.3) | 28 |
| 69 | 48 | 2.691 (68.4) | | 2.832 (71.9) | | 1.375 (34.9) | | 2.113 (53.7) | | .875 (22.2) | 1.250 (31.8) | 20 |
| 70 | 48 | 2.691 (68.4) | | 2.832 (71.9) | | 1.781 (45.2) | | 2.770 (70.4) | | 1.250 (31.8) | 1.625 (41.3) | 28 |
| 71* | 12 | 1.811 (46.0) | | 2.162 (54.9) | | 1.027 (26.1) | | 1.332 (33.8) | | .350 (8.9) | .625 (15.9) | 10 |
| 72* | 18 | 2.051 (52.1) | | 2.442 (62.0) | | 1.156 (29.4) | | 1.770 (45.0) | | .625 (15.9) | .937 (23.8) | 16 |
| 73* | 24 | 2.151 (54.6) | | 2.612 (66.3) | | 1.375 (34.9) | | 2.116 (53.7) | | .875 (22.2) | 1.250 (31.8) | 20 |
| 74 | 14 | .866 (22.0) | | 2.072 (52.6) | | 1.027 (26.1) | | .957 (24.3) | | .125 (3.2) | .312 (7.9) | 4 |
| 75 | 16 | 1.051 (26.7) | | 2.162 (54.9) | | 1.027 (26.1) | | .957 (24.3) | | .125 (3.2) | .312 (7.9) | 4 |

Dimensions in inches (millimeters) and are subject to change without notice.

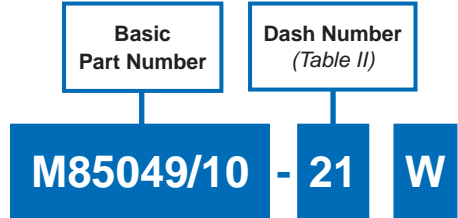
AS85049/10 and MS3437A Straight EMI/RFI Environmental Backshell



AS85049

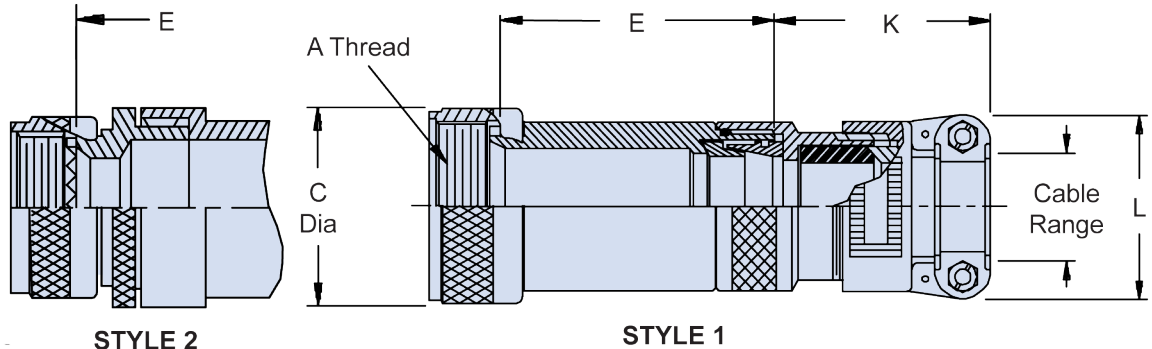
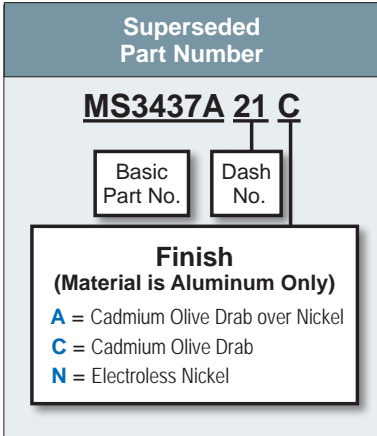
B

| CONNECTOR DESIGNATOR: | |
|-----------------------|-----------------------------------|
| A | AS50151 Series AS34001 |
| | MIL-DTL-26482 Series II |
| | AS81703 Series III |
| | MIL-DTL-83723 Series I & III |
| | 40M39569, DEF 5326-3, EN 2997 |
| | EN 3646, ESC 10, ESC 11, LN 29504 |
| | NFC93422 Series HE302 |
| | PAN 6432-1, PAN 6432-2, PATT 602 |



Finish / Material

B = Black Cadmium / Stainless Steel
N = Electroless Nickel / Aluminum
S = Passivated / Stainless Steel
W = 1,000 Hr. Cadmium Olive Drab over Electroless Nickel / Aluminum
X = Aluminum, Nickel Fluorocarbon Polymer
Z = Aluminum, Zinc-Nickel, Black
XS = Stainless Steel, Nickel Fluorocarbon Polymer
ZS = Stainless Steel, Zinc-Nickel, Black



| Shell Size | A Thread Class 2B | C Dia Max |
|------------|-------------------|-------------|
| 3 | .562 - 24 UNEF | .67 (17.0) |
| 8 | .500 - 20 UNF | .62 (15.7) |
| 10 | .625 - 24 UNEF | .73 (18.5) |
| 12 | .750 - 20 UNEF | .86 (21.8) |
| 14 | .875 - 20 UNEF | .98 (24.9) |
| 16 | 1.000 - 20 UNEF | 1.11 (28.2) |
| 18 | 1.062 - 18 UNEF | 1.22 (31.0) |
| 20 | 1.188 - 18 UNEF | 1.34 (34.0) |
| 22 | 1.313 - 18 UNEF | 1.47 (37.3) |
| 24 | 1.438 - 18 UNEF | 1.59 (40.4) |
| 28 | 1.750 - 18 UNS | 1.97 (50.0) |
| 32 | 2.000 - 18 UNS | 2.22 (56.4) |
| 36 | 2.250 - 16 UN | 2.47 (62.7) |
| 40 | 2.500 - 16 UN | 2.72 (69.1) |
| 44 | 2.750 - 16 UN | 2.97 (75.4) |
| 48 | 3.000 - 16 UN | 3.22 (81.8) |
| 61 | 1.500 - 18 UNEF | 1.65 (41.9) |

APPLICATION NOTES

- For complete dimensions see the applicable Military Specification.
- Metric dimensions (mm) are in parentheses.
- Cable Range is defined as the accommodation range for the wire bundle or cable. Dimensions shown are not intended for inspection criteria.

Dimensions in inches (millimeters) and are subject to change without notice.



AS85049/10 and MS3437A Straight EMI/RFI Environmental Backshell

TABLE II: Dash No., Style, Shell Size, Dimensions and Cable Range

| Dash No. | Shell Size | Style | E | | K | | L | | Cable Range | | M85049/42 Ref. |
|----------|------------|-------|---------------|--|--------------|--|--------------|--|-------------|--------------|----------------|
| | | | Max | | Ref | | Max | | Min | Max | |
| 01 | 3 | 1 | 2.125 (54.0) | | 1.544 (39.2) | | .957 (24.3) | | .125 (3.2) | .250 (6.4) | 4 |
| 02 | 3 | 1 | 3.125 (79.4) | | 1.544 (39.2) | | .957 (24.3) | | .125 (3.2) | .250 (6.4) | 4 |
| 03 | 3 | 2 | 2.875 (73.0) | | 1.544 (39.2) | | 1.145 (29.1) | | .250 (6.4) | .437 (11.1) | 6 |
| 04 | 3 | 2 | 3.875 (98.4) | | 1.544 (39.2) | | 1.145 (29.1) | | .250 (6.4) | .437 (11.1) | 6 |
| 05 | 8 | 1 | 2.125 (54.0) | | 1.544 (39.2) | | .957 (24.3) | | .125 (3.2) | .250 (6.4) | 4 |
| 06 | 8 | 1 | 3.125 (79.4) | | 1.544 (39.2) | | .957 (24.3) | | .125 (3.2) | .250 (6.4) | 4 |
| 07 | 8 | 2 | 2.875 (73.0) | | 1.544 (39.2) | | 1.145 (29.1) | | .250 (6.4) | .437 (11.1) | 6 |
| 08 | 8 | 2 | 3.875 (98.4) | | 1.544 (39.2) | | 1.145 (29.1) | | .250 (6.4) | .437 (11.1) | 6 |
| 09 | 10 | 1 | 2.125 (54.0) | | 1.544 (39.2) | | .957 (24.3) | | .125 (3.2) | .312 (7.9) | 4 |
| 10 | 10 | 1 | 3.125 (79.4) | | 1.544 (39.2) | | .957 (24.3) | | .125 (3.2) | .312 (7.9) | 4 |
| 11 | 10 | 2 | 2.875 (73.0) | | 1.544 (39.2) | | 1.145 (29.1) | | .250 (6.4) | .437 (11.1) | 6 |
| 12 | 10 | 2 | 3.875 (98.4) | | 1.544 (39.2) | | 1.145 (29.1) | | .250 (6.4) | .437 (11.1) | 6 |
| 13 | 12 | 1 | 2.125 (54.0) | | 1.544 (39.2) | | 1.145 (29.1) | | .250 (6.4) | .437 (11.1) | 6 |
| 14 | 12 | 1 | 3.125 (79.4) | | 1.544 (39.2) | | 1.145 (29.1) | | .250 (6.4) | .437 (11.1) | 6 |
| 15 | 12 | 2 | 2.875 (73.0) | | 1.844 (46.8) | | 1.332 (33.8) | | .350 (8.9) | .625 (15.9) | 10 |
| 16 | 12 | 2 | 3.875 (98.4) | | 1.844 (46.8) | | 1.332 (33.8) | | .350 (8.9) | .625 (15.9) | 10 |
| 17 | 14 | 1 | 2.125 (54.0) | | 1.844 (46.8) | | 1.332 (33.8) | | .350 (8.9) | .575 (14.6) | 10 |
| 18 | 14 | 1 | 3.125 (79.4) | | 1.844 (46.8) | | 1.332 (33.8) | | .350 (8.9) | .575 (14.6) | 10 |
| 19 | 14 | 2 | 2.875 (73.0) | | 1.916 (48.7) | | 1.551 (39.4) | | .500 (12.7) | .750 (19.1) | 12 |
| 20 | 14 | 2 | 3.875 (98.4) | | 1.916 (48.7) | | 1.551 (39.4) | | .500 (12.7) | .750 (19.1) | 12 |
| 21 | 16 | 1 | 2.125 (54.0) | | 1.916 (48.7) | | 1.551 (39.4) | | .500 (12.7) | .700 (17.8) | 12 |
| 22 | 16 | 1 | 3.125 (79.4) | | 1.916 (48.7) | | 1.551 (39.4) | | .500 (12.7) | .700 (17.8) | 12 |
| 23 | 16 | 2 | 2.875 (73.0) | | 2.000 (50.8) | | 1.770 (45.0) | | .625 (15.9) | .937 (23.8) | 16 |
| 24 | 16 | 2 | 3.875 (98.4) | | 2.000 (50.8) | | 1.770 (45.0) | | .625 (15.9) | .937 (23.8) | 16 |
| 25 | 18 | 1 | 2.125 (54.0) | | 1.844 (46.8) | | 1.332 (33.8) | | .350 (8.9) | .625 (15.9) | 10 |
| 26 | 18 | 1 | 3.125 (79.4) | | 1.844 (46.8) | | 1.332 (33.8) | | .350 (8.9) | .625 (15.9) | 10 |
| 27 | 18 | 1 | 2.125 (54.0) | | 1.916 (48.7) | | 1.551 (39.4) | | .500 (12.7) | .750 (19.1) | 12 |
| 28 | 18 | 1 | 3.125 (79.4) | | 1.916 (48.7) | | 1.551 (39.4) | | .500 (12.7) | .750 (19.1) | 12 |
| 29 | 18 | 2 | 2.875 (73.0) | | 2.000 (50.8) | | 1.770 (45.0) | | .625 (15.9) | .937 (23.8) | 16 |
| 30 | 18 | 2 | 3.875 (98.4) | | 2.000 (50.8) | | 1.770 (45.0) | | .625 (15.9) | .937 (23.8) | 16 |
| 31 | 20 | 1 | 3.125 (79.4) | | 1.844 (46.8) | | 1.332 (33.8) | | .350 (8.9) | .625 (15.9) | 10 |
| 32 | 20 | 1 | 4.125 (104.8) | | 1.844 (46.8) | | 1.332 (33.8) | | .350 (8.9) | .625 (15.9) | 10 |
| 33 | 20 | 1 | 3.125 (79.4) | | 1.916 (48.7) | | 1.551 (39.4) | | .500 (12.7) | .750 (19.1) | 12 |
| 34 | 20 | 1 | 4.125 (104.8) | | 1.916 (48.7) | | 1.551 (39.4) | | .500 (12.7) | .750 (19.1) | 12 |
| 35 | 20 | 2 | 3.875 (98.4) | | 2.000 (50.8) | | 1.770 (45.0) | | .625 (15.9) | .937 (23.8) | 16 |
| 36 | 20 | 2 | 4.875 (123.8) | | 2.000 (50.8) | | 1.770 (45.0) | | .625 (15.9) | .937 (23.8) | 16 |
| 37 | 20 | 2 | 3.875 (98.4) | | 2.230 (56.6) | | 2.113 (53.7) | | .875 (22.2) | 1.250 (31.8) | 20 |
| 38 | 20 | 2 | 4.875 (123.8) | | 2.230 (56.6) | | 2.113 (53.7) | | .875 (22.2) | 1.250 (31.8) | 20 |
| 39 | 22 | 1 | 3.125 (79.4) | | 1.844 (46.8) | | 1.332 (33.8) | | .350 (8.9) | .625 (15.9) | 10 |
| 40 | 22 | 1 | 4.125 (104.8) | | 1.844 (46.8) | | 1.332 (33.8) | | .350 (8.9) | .625 (15.9) | 10 |
| 41 | 22 | 1 | 3.125 (79.4) | | 1.916 (48.7) | | 1.551 (39.4) | | .500 (12.7) | .750 (19.1) | 12 |
| 42 | 22 | 1 | 4.125 (104.8) | | 1.916 (48.7) | | 1.551 (39.4) | | .500 (12.7) | .750 (19.1) | 12 |
| 43 | 22 | 1 | 3.125 (79.4) | | 2.000 (50.8) | | 1.770 (45.0) | | .625 (15.9) | .937 (23.8) | 16 |
| 44 | 22 | 1 | 4.125 (104.8) | | 2.000 (50.8) | | 1.770 (45.0) | | .625 (15.9) | .937 (23.8) | 16 |
| 45 | 22 | 2 | 3.875 (98.4) | | 2.230 (56.6) | | 2.113 (53.7) | | .875 (22.2) | 1.250 (31.8) | 20 |
| 46 | 22 | 2 | 4.875 (123.8) | | 2.230 (56.6) | | 2.113 (53.7) | | .875 (22.2) | 1.250 (31.8) | 20 |
| 47 | 24 | 1 | 3.125 (79.4) | | 1.916 (48.7) | | 1.551 (39.4) | | .500 (12.7) | .750 (19.1) | 12 |
| 48 | 24 | 1 | 4.125 (104.8) | | 1.916 (48.7) | | 1.551 (39.4) | | .500 (12.7) | .750 (19.1) | 12 |
| 49 | 24 | 1 | 3.125 (79.4) | | 2.000 (50.8) | | 1.770 (45.0) | | .625 (15.9) | .812 (20.6) | 16 |
| 50 | 24 | 1 | 4.125 (104.8) | | 2.000 (50.8) | | 1.770 (45.0) | | .625 (15.9) | .812 (20.6) | 16 |
| 51 | 24 | 1 | 3.125 (79.4) | | 2.000 (50.8) | | 1.770 (45.0) | | .625 (15.9) | .937 (23.8) | 16 |
| 52 | 24 | 1 | 4.125 (104.8) | | 2.000 (50.8) | | 1.770 (45.0) | | .625 (15.9) | .937 (23.8) | 16 |

Continued on Page B-29

Dimensions in inches (millimeters) and are subject to change without notice.

AS85049/10 and MS3437A Straight EMI/RFI Environmental Backshell



AS85049

B

TABLE II: (Continued from Page B-28)

| Dash No. | Shell Size | Style | E Max | K Ref | L Max | Cable Range | | M85049/42 Ref. |
|----------|------------|-------|---------------|--------------|--------------|--------------|--------------|----------------|
| | | | | | | Min | Max | |
| 53 | 24 | 2 | 3.875 (98.4) | 2.230 (56.6) | 2.113 (53.7) | .875 (22.2) | 1.250 (31.8) | 20 |
| 54 | 24 | 2 | 4.875 (123.8) | 2.230 (56.6) | 2.113 (53.7) | .875 (22.2) | 1.250 (31.8) | 20 |
| 55 | 28 | 1 | 3.125 (79.4) | 1.916 (48.7) | 1.551 (39.4) | .500 (12.7) | .750 (19.1) | 12 |
| 56 | 28 | 1 | 4.125 (104.8) | 1.916 (48.7) | 1.551 (39.4) | .500 (12.7) | .750 (19.1) | 12 |
| 57 | 28 | 1 | 3.125 (79.4) | 2.000 (50.8) | 1.770 (45.0) | .625 (15.9) | .937 (23.8) | 16 |
| 58 | 28 | 1 | 4.125 (104.8) | 2.000 (50.8) | 1.770 (45.0) | .625 (15.9) | .937 (23.8) | 16 |
| 59 | 28 | 1 | 3.125 (79.4) | 2.230 (56.6) | 2.113 (53.7) | .875 (22.2) | 1.250 (31.8) | 20 |
| 60 | 28 | 1 | 4.125 (104.8) | 2.230 (56.6) | 2.113 (53.7) | .875 (22.2) | 1.250 (31.8) | 20 |
| 61 | 28 | 1 | 3.125 (79.4) | 2.024 (51.4) | 2.363 (60.0) | 1.000 (25.4) | 1.375 (34.9) | 24 |
| 62 | 28 | 1 | 4.126 (104.8) | 2.024 (51.4) | 2.363 (60.0) | 1.000 (25.4) | 1.375 (34.9) | 24 |
| 63 | 32 | 1 | 3.125 (79.4) | 2.000 (50.8) | 1.770 (45.0) | .625 (15.9) | .937 (23.8) | 16 |
| 64 | 32 | 1 | 4.125 (104.8) | 2.000 (50.8) | 1.770 (45.0) | .625 (15.9) | .937 (23.8) | 16 |
| 65 | 32 | 1 | 3.125 (79.4) | 2.230 (56.6) | 2.113 (53.7) | .875 (22.2) | 1.250 (31.8) | 20 |
| 66 | 32 | 1 | 4.125 (104.8) | 2.230 (56.6) | 2.113 (53.7) | .875 (22.2) | 1.250 (31.8) | 20 |
| 67 | 32 | 1 | 3.125 (79.4) | 2.024 (51.4) | 2.363 (60.0) | 1.000 (25.4) | 1.375 (34.9) | 24 |
| 68 | 32 | 1 | 4.125 (104.8) | 2.024 (51.4) | 2.363 (60.0) | 1.000 (25.4) | 1.375 (34.9) | 24 |
| 69 | 32 | 1 | 3.125 (79.4) | 2.550 (64.8) | 2.770 (70.4) | 1.250 (31.8) | 1.625 (41.3) | 28 |
| 70 | 32 | 1 | 4.125 (104.8) | 2.550 (64.8) | 2.770 (70.4) | 1.250 (31.8) | 1.625 (41.3) | 28 |
| 71 | 36 | 1 | 4.125 (104.8) | 2.230 (56.6) | 2.113 (53.7) | .875 (22.2) | 1.250 (31.8) | 20 |
| 72 | 36 | 1 | 5.125 (130.2) | 2.230 (56.6) | 2.113 (53.7) | .875 (22.2) | 1.250 (31.8) | 20 |
| 73 | 36 | 1 | 4.125 (104.8) | 2.024 (51.4) | 2.363 (60.0) | 1.000 (25.4) | 1.375 (34.9) | 24 |
| 74 | 36 | 1 | 5.125 (130.2) | 2.024 (51.4) | 2.363 (60.0) | 1.000 (25.4) | 1.375 (34.9) | 24 |
| 75 | 36 | 1 | 4.125 (104.8) | 2.550 (64.8) | 2.770 (70.4) | 1.250 (31.8) | 1.625 (41.3) | 28 |
| 76 | 36 | 1 | 5.125 (130.2) | 2.550 (64.8) | 2.770 (70.4) | 1.250 (31.8) | 1.625 (41.3) | 28 |
| 77 | 36 | 2 | 5.000 (127.0) | 2.600 (66.0) | 3.020 (76.7) | 1.437 (36.5) | 1.875 (47.6) | 32 |
| 78 | 36 | 2 | 6.000 (152.4) | 2.600 (66.0) | 3.020 (76.7) | 1.437 (36.5) | 1.875 (47.6) | 32 |
| 79 | 40 | 1 | 4.125 (104.8) | 2.230 (56.6) | 2.113 (53.7) | .875 (22.2) | 1.250 (31.8) | 20 |
| 80 | 40 | 1 | 5.125 (130.2) | 2.230 (56.6) | 2.113 (53.7) | .875 (22.2) | 1.250 (31.8) | 20 |
| 81 | 40 | 1 | 4.125 (104.8) | 2.024 (51.4) | 2.363 (60.0) | 1.000 (25.4) | 1.375 (34.9) | 24 |
| 82 | 40 | 1 | 5.125 (130.2) | 2.024 (51.4) | 2.363 (60.0) | 1.000 (25.4) | 1.375 (34.9) | 24 |
| 83 | 40 | 1 | 4.125 (104.8) | 2.550 (64.8) | 2.770 (70.4) | 1.250 (31.8) | 1.625 (41.3) | 28 |
| 84 | 40 | 1 | 5.125 (130.2) | 2.550 (64.8) | 2.770 (70.4) | 1.250 (31.8) | 1.625 (41.3) | 28 |
| 85 | 40 | 1 | 4.125 (104.8) | 2.600 (66.0) | 3.020 (76.7) | 1.437 (36.5) | 1.875 (47.6) | 32 |
| 86 | 40 | 1 | 5.125 (130.2) | 2.600 (66.0) | 3.020 (76.7) | 1.437 (36.5) | 1.875 (47.6) | 32 |
| 87 | 44 | 1 | 4.125 (104.8) | 2.230 (56.6) | 2.113 (53.7) | .875 (22.2) | 1.250 (31.8) | 20 |
| 88 | 44 | 1 | 5.125 (130.2) | 2.230 (56.6) | 2.113 (53.7) | .875 (22.2) | 1.250 (31.8) | 20 |
| 89 | 44 | 1 | 4.125 (104.8) | 2.024 (51.4) | 2.363 (60.0) | 1.000 (25.4) | 1.375 (34.9) | 24 |
| 90 | 44 | 1 | 5.125 (130.2) | 2.024 (51.4) | 2.363 (60.0) | 1.000 (25.4) | 1.375 (34.9) | 24 |
| 91 | 44 | 1 | 4.125 (104.8) | 2.550 (64.8) | 2.770 (70.4) | 1.250 (31.8) | 1.625 (41.3) | 28 |
| 92 | 44 | 1 | 5.125 (130.2) | 2.550 (64.8) | 2.770 (70.4) | 1.250 (31.8) | 1.625 (41.3) | 28 |
| 93 | 44 | 1 | 4.125 (104.8) | 2.600 (66.0) | 3.020 (76.7) | 1.437 (36.5) | 1.875 (47.6) | 32 |
| 94 | 44 | 1 | 5.125 (130.2) | 2.600 (66.0) | 3.020 (76.7) | 1.437 (36.5) | 1.875 (47.6) | 32 |
| 95 | 48 | 1 | 4.125 (104.8) | 2.230 (56.6) | 2.113 (53.7) | .875 (22.2) | 1.250 (31.8) | 20 |
| 96 | 48 | 1 | 5.125 (130.2) | 2.230 (56.6) | 2.113 (53.7) | .875 (22.2) | 1.250 (31.8) | 20 |
| 97 | 48 | 1 | 4.125 (104.8) | 2.024 (51.4) | 2.363 (60.0) | 1.000 (25.4) | 1.375 (34.9) | 24 |
| 98 | 48 | 1 | 5.125 (130.2) | 2.024 (51.4) | 2.363 (60.0) | 1.000 (25.4) | 1.375 (34.9) | 24 |
| 99 | 48 | 1 | 4.125 (104.8) | 2.550 (64.8) | 2.770 (70.4) | 1.250 (31.8) | 1.625 (41.3) | 28 |
| 100 | 48 | 1 | 5.125 (130.2) | 2.550 (64.8) | 2.770 (70.4) | 1.250 (31.8) | 1.625 (41.3) | 28 |
| 101 | 48 | 1 | 4.125 (104.8) | 2.600 (66.0) | 3.020 (76.7) | 1.437 (36.5) | 1.875 (47.6) | 32 |
| 102 | 48 | 1 | 5.125 (130.2) | 2.600 (66.0) | 3.020 (76.7) | 1.437 (36.5) | 1.875 (47.6) | 32 |
| 103 | 61 | 1 | 3.125 (79.4) | 1.916 (48.7) | 1.551 (39.4) | .500 (12.7) | .750 (19.1) | 12 |
| 104 | 61 | 1 | 4.125 (104.8) | 1.916 (48.7) | 1.551 (39.4) | .500 (12.7) | .750 (19.1) | 12 |

Continued on Page B-30

Dimensions in inches (millimeters) and are subject to change without notice.



AS85049/10 and MS3437A Straight EMI/RFI Environmental Backshell

TABLE II: (Continued from Page B-29)

| Dash No. | Shell Size | Style | E Max | K Ref | L Max | Cable Range | | M85049/42 Ref. |
|----------|------------|-------|---------------|--------------|--------------|--------------|--------------|----------------|
| | | | | | | Min | Max | |
| 105 | 61 | 1 | 3.125 (79.4) | 2.000 (50.8) | 1.770 (45.0) | .625 (15.9) | .937 (23.8) | 16 |
| 106 | 61 | 1 | 4.125 (104.8) | 2.000 (50.8) | 1.770 (45.0) | .625 (15.9) | .937 (23.8) | 16 |
| 107 | 61 | 2 | 3.875 (98.4) | 2.230 (56.6) | 2.113 (53.7) | .875 (22.2) | 1.250 (31.8) | 20 |
| 108 | 61 | 2 | 4.875 (123.8) | 2.230 (56.6) | 2.113 (53.7) | .875 (22.2) | 1.250 (31.8) | 20 |
| 109 | 61 | 2 | 3.875 (98.4) | 2.024 (51.4) | 2.363 (60.0) | 1.000 (25.4) | 1.375 (34.9) | 24 |
| 110 | 61 | 2 | 4.875 (123.8) | 2.024 (51.4) | 2.363 (60.0) | 1.000 (25.4) | 1.375 (34.9) | 24 |
| 111 | 12 | 1 | 2.125 (54.0) | 1.844 (46.8) | 1.332 (33.8) | .350 (8.9) | .500 (12.7) | 10 |
| 112 | 16 | 1 | 2.125 (54.0) | 1.544 (39.2) | 1.145 (29.1) | .250 (6.4) | .437 (11.1) | 6 |
| 113 | 16 | 1 | 3.125 (79.4) | 1.544 (39.2) | 1.145 (29.1) | .250 (6.4) | .437 (11.1) | 6 |
| 114 | 12 | 1 | 2.125 (54.0) | 1.544 (39.2) | .957 (24.3) | .125 (3.2) | .312 (7.9) | 4 |
| 115 | 12 | 1 | 3.125 (79.4) | 1.544 (39.2) | .957 (24.3) | .125 (3.2) | .312 (7.9) | 4 |
| 116 | 14 | 1 | 2.125 (54.0) | 1.544 (39.2) | 1.145 (29.1) | .250 (6.4) | .437 (11.1) | 6 |
| 117 | 14 | 1 | 3.125 (79.4) | 1.544 (39.2) | 1.145 (29.1) | .250 (6.4) | .437 (11.1) | 6 |
| 118 | 16 | 1 | 2.125 (54.0) | 1.844 (46.8) | 1.332 (33.8) | .350 (8.9) | .625 (15.9) | 10 |
| 119 | 16 | 1 | 3.125 (79.4) | 1.844 (46.8) | 1.332 (33.8) | .350 (8.9) | .625 (15.9) | 10 |
| 120 | 18 | 1 | 2.125 (54.0) | 1.544 (39.2) | .957 (24.3) | .125 (3.2) | .312 (7.9) | 4 |
| 121 | 18 | 1 | 3.125 (79.4) | 1.544 (39.2) | .957 (24.3) | .125 (3.2) | .312 (7.9) | 4 |
| 122 | 18 | 1 | 2.125 (54.0) | 1.544 (39.2) | 1.145 (29.1) | .250 (6.4) | .437 (11.1) | 6 |
| 123 | 18 | 1 | 3.125 (79.4) | 1.544 (39.2) | 1.145 (29.1) | .250 (6.4) | .437 (11.1) | 6 |
| 124 | 20 | 1 | 3.125 (79.4) | 1.544 (39.2) | 1.145 (29.1) | .250 (6.4) | .437 (11.1) | 6 |
| 125 | 20 | 1 | 4.125 (104.8) | 1.544 (39.2) | 1.145 (29.1) | .250 (6.4) | .437 (11.1) | 6 |
| 126 | 22 | 1 | 3.125 (79.4) | 1.544 (39.2) | .957 (24.3) | .125 (3.2) | .312 (7.9) | 4 |
| 127 | 22 | 1 | 4.125 (104.8) | 1.544 (39.2) | .957 (24.3) | .125 (3.2) | .312 (7.9) | 4 |
| 128 | 22 | 1 | 3.125 (79.4) | 1.544 (39.2) | 1.145 (29.1) | .250 (6.4) | .437 (11.1) | 6 |
| 129 | 22 | 1 | 4.125 (104.8) | 1.544 (39.2) | 1.145 (29.1) | .250 (6.4) | .437 (11.1) | 6 |
| 130 | 24 | 1 | 3.125 (79.4) | 1.844 (46.8) | 1.332 (33.8) | .350 (8.9) | .625 (15.9) | 10 |
| 131 | 24 | 1 | 4.125 (104.8) | 1.844 (46.8) | 1.332 (33.8) | .350 (8.9) | .625 (15.9) | 10 |
| 132 | 36 | 1 | 4.125 (104.8) | 1.916 (48.7) | 1.551 (39.4) | .500 (12.7) | .750 (19.1) | 12 |
| 133 | 36 | 1 | 5.125 (130.2) | 1.916 (48.7) | 1.551 (39.4) | .500 (12.7) | .750 (19.1) | 12 |
| 134 | 40 | 1 | 4.125 (104.8) | 1.916 (48.7) | 1.551 (39.4) | .500 (12.7) | .750 (19.1) | 12 |
| 135 | 40 | 1 | 5.125 (130.2) | 1.916 (48.7) | 1.551 (39.4) | .500 (12.7) | .750 (19.1) | 12 |
| 136 | 10 | 1 | 2.125 (54.0) | 1.544 (39.2) | 1.145 (29.1) | .250 (6.4) | .375 (9.5) | 6 |
| 137 | 10 | 1 | 3.125 (79.4) | 1.544 (39.2) | 1.145 (29.1) | .250 (6.4) | .375 (9.5) | 6 |
| 138 | 12 | 1 | 2.125 (54.0) | 1.844 (46.8) | 1.332 (33.8) | .350 (8.9) | .500 (12.7) | 10 |
| 139 | 12 | 1 | 3.125 (79.4) | 1.844 (46.8) | 1.332 (33.8) | .350 (8.9) | .500 (12.7) | 10 |
| 140 | 20 | 1 | 3.125 (79.4) | 2.000 (50.8) | 1.770 (45.0) | .625 (15.9) | .904 (23.0) | 16 |
| 141 | 20 | 1 | 4.125 (104.8) | 2.000 (50.8) | 1.770 (45.0) | .625 (15.9) | .904 (23.0) | 16 |
| 142 | 22 | 1 | 3.125 (79.4) | 2.230 (56.6) | 2.113 (53.7) | .875 (22.2) | 1.029 (26.1) | 20 |
| 143 | 22 | 1 | 4.125 (104.8) | 2.230 (56.6) | 2.113 (53.7) | .875 (22.2) | 1.029 (26.1) | 20 |
| 144 | 24 | 1 | 3.125 (79.4) | 2.230 (56.6) | 2.113 (53.7) | .875 (22.2) | 1.144 (29.1) | 20 |
| 145 | 24 | 1 | 4.125 (104.8) | 2.230 (56.6) | 2.113 (53.7) | .875 (22.2) | 1.144 (29.1) | 20 |
| 146 | 36 | 1 | 4.125 (104.8) | 2.600 (66.0) | 3.020 (76.7) | 1.437 (36.5) | 1.840 (46.7) | 32 |
| 147 | 36 | 1 | 5.125 (130.2) | 2.600 (66.0) | 3.020 (76.7) | 1.437 (36.5) | 1.840 (46.7) | 32 |
| 148 | 36 | 1 | 4.125 (104.8) | 2.000 (50.8) | 1.770 (45.0) | .625 (15.9) | .937 (23.8) | 16 |
| 149 | 36 | 1 | 5.125 (130.2) | 2.000 (50.8) | 1.770 (45.0) | .625 (15.9) | .937 (23.8) | 16 |
| 150 | 14 | 1 | 2.125 (54.0) | 1.544 (39.2) | .957 (24.3) | .125 (3.2) | .312 (7.9) | 4 |
| 151 | 14 | 1 | 3.125 (79.4) | 1.544 (39.2) | .957 (24.3) | .125 (3.2) | .312 (7.9) | 4 |
| 152 | 16 | 1 | 2.125 (54.0) | 1.544 (39.2) | .957 (24.3) | .125 (3.2) | .312 (7.9) | 4 |
| 153 | 16 | 1 | 3.125 (79.4) | 1.544 (39.2) | .957 (24.3) | .125 (3.2) | .312 (7.9) | 4 |
| 154 | 44 | 1 | 4.125 (104.8) | 2.000 (50.8) | 1.770 (45.0) | .625 (15.9) | .937 (23.8) | 16 |
| 155 | 44 | 1 | 5.125 (130.2) | 2.000 (50.8) | 1.770 (45.0) | .625 (15.9) | .937 (23.8) | 16 |
| 156 | 40 | 1 | 4.125 (104.8) | 2.000 (50.8) | 1.770 (45.0) | .625 (15.9) | .937 (23.8) | 16 |
| 157 | 40 | 1 | 5.125 (130.2) | 2.000 (50.8) | 1.770 (45.0) | .625 (15.9) | .937 (23.8) | 16 |

Dimensions in inches (millimeters) and are subject to change without notice.

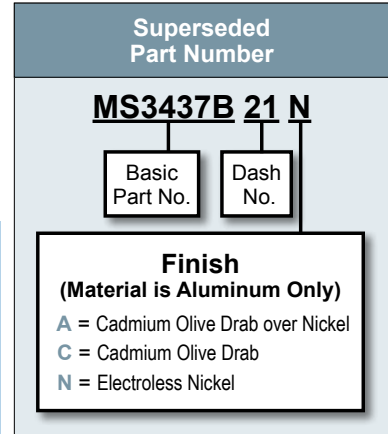
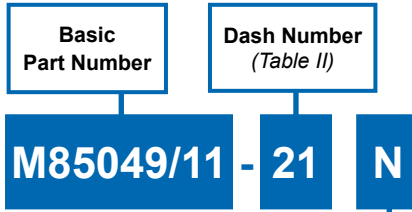
AS85049/11 and MS3437B Straight Environmental Backshell



AS85049

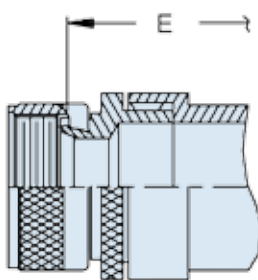
B

| CONNECTOR DESIGNATOR: | |
|-----------------------|---|
| A | AS50151 Series AS34001 |
| | MIL-DTL-26482 Series II |
| | AS81703 Series III |
| | MIL-DTL-83723 Series I & III |
| | 40M39569, DEF 5326-3, EN 2997 |
| | EN 3646, ESC 10, ESC 11, LN 29504 |
| | NFC93422 Series HE302 PAN 6432-1, PAN 6432-2, PATT 602 |

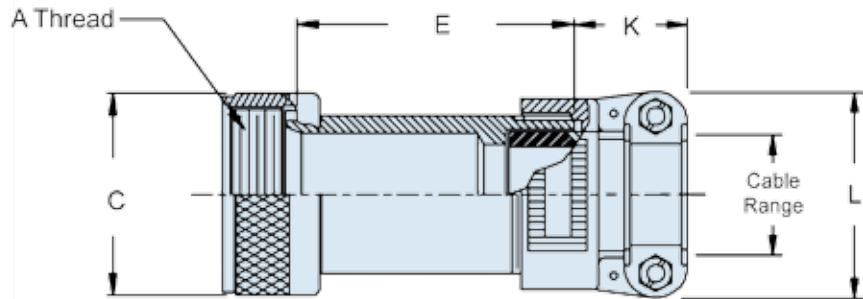


Finish / Material

B = Black Cadmium / Stainless Steel
N = Electroless Nickel / Aluminum
S = Passivated / Stainless Steel
W = 1,000 Hr. Cadmium Olive Drab over Electroless Nickel / Aluminum
X = Nickel Fluorocarbon Polymer / Aluminum
Y = Pure Dense Electrodeposited Aluminum / Aluminum
Z = Zinc Nickel, Black / Aluminum
XS = Nickel Fluorocarbon Polymer / Stainless Steel
YS = Pure Dense Electrodeposited Aluminum / Stainless Steel
ZS = Zinc Nickel, Black / Stainless Steel



STYLE 2



STYLE 1

| TABLE I: Shell Size and Dimensions | | |
|------------------------------------|----------------------|--------------|
| Shell Size | A Thread Class 2B-LH | C Dia Max |
| 3 | .562 - 24 UNEF | .669 (17.0) |
| 8 | .500 - 20 UNF | .617 (15.7) |
| 10 | .625 - 24 UNEF | .734 (18.6) |
| 12 | .750 - 20 UNEF | .858 (21.8) |
| 14 | .875 - 20 UNEF | .984 (25.0) |
| 16 | 1.000 - 20 UNEF | 1.112 (28.2) |
| 18 | 1.062 - 18 UNEF | 1.218 (30.9) |
| 20 | 1.188 - 18 UNEF | 1.345 (34.2) |
| 22 | 1.313 - 18 UNEF | 1.468 (37.3) |
| 24 | 1.438 - 18 UNEF | 1.593 (40.5) |
| 28 | 1.750 - 18 UNS | 1.969 (50.0) |
| 32 | 2.000 - 18 UNS | 2.219 (56.4) |
| 36 | 2.250 - 16 UN | 2.469 (62.7) |
| 40 | 2.500 - 16 UN | 2.719 (69.1) |
| 44 | 2.750 - 16 UN | 2.969 (75.4) |
| 48 | 3.000 - 16 UN | 3.219 (81.8) |
| 61 | 1.500 - 18 UNEF | 1.653 (42.0) |

- APPLICATION NOTES**
- For complete dimensions see the applicable Military Specification.
 - Metric dimensions (mm) are in parentheses.
 - When maximum cable entry is exceeded, Style 2 will be supplied.
 - Cable Range is defined as the accommodation range for the wire bundle or cable. Dimensions shown are not intended for inspection criteria.

Dimensions in inches (millimeters) and are subject to change without notice.



AS85049/11 and MS3437B Straight Environmental Backshell

TABLE II: Dash Number and Cable Range (Continued on Page B-33)

| Dash No. | Shell Size | Style | E Max | K Ref. | L Max | Cable Range | | M85049/42 Ref. |
|----------|------------|-------|---------------|--------------|--------------|-------------|--------------|----------------|
| | | | | | | Min | Max | |
| 01 | 3 | 1 | 2.125 (54.0) | 1.027 (26.1) | .957 (24.3) | .125 (3.2) | .250 (6.4) | 4 |
| 02 | 3 | 1 | 3.125 (79.4) | 1.027 (26.1) | .957 (24.3) | .125 (3.2) | .250 (6.4) | 4 |
| 03 | 3 | 2 | 2.875 (73.0) | 1.027 (26.1) | 1.145 (29.1) | .250 (6.4) | .437 (11.1) | 6 |
| 04 | 3 | 2 | 3.875 (98.4) | 1.027 (26.1) | 1.145 (29.1) | .250 (6.4) | .437 (11.1) | 6 |
| 05 | 8 | 1 | 2.125 (54.0) | 1.027 (26.1) | .957 (24.3) | .125 (3.2) | .250 (6.4) | 4 |
| 06 | 8 | 1 | 3.125 (79.4) | 1.027 (26.1) | .957 (24.3) | .125 (3.2) | .250 (6.4) | 4 |
| 07 | 8 | 2 | 2.875 (73.0) | 1.027 (26.1) | 1.145 (29.1) | .250 (6.4) | .437 (11.1) | 6 |
| 08 | 8 | 2 | 3.875 (98.4) | 1.027 (26.1) | 1.145 (29.1) | .250 (6.4) | .437 (11.1) | 6 |
| 09 | 10 | 1 | 2.125 (54.0) | 1.027 (26.1) | .957 (24.3) | .125 (3.2) | .312 (7.9) | 4 |
| 10 | 10 | 1 | 3.125 (79.4) | 1.027 (26.1) | .957 (24.3) | .125 (3.2) | .312 (7.9) | 4 |
| 11 | 10 | 2 | 2.875 (73.0) | 1.027 (26.1) | 1.145 (29.1) | .250 (6.4) | .437 (11.1) | 6 |
| 12 | 10 | 2 | 3.875 (98.4) | 1.027 (26.1) | 1.145 (29.1) | .250 (6.4) | .437 (11.1) | 6 |
| 13 | 12 | 1 | 2.125 (54.0) | 1.027 (26.1) | 1.145 (29.1) | .250 (6.4) | .437 (11.1) | 6 |
| 14 | 12 | 1 | 3.125 (79.4) | 1.027 (26.1) | 1.145 (29.1) | .250 (6.4) | .437 (11.1) | 6 |
| 15 | 12 | 2 | 2.875 (73.0) | 1.027 (26.1) | 1.332 (33.8) | .350 (8.9) | .625 (15.9) | 10 |
| 16 | 12 | 2 | 3.875 (98.4) | 1.027 (26.1) | 1.332 (33.8) | .350 (8.9) | .625 (15.9) | 10 |
| 17 | 14 | 1 | 2.125 (54.0) | 1.027 (26.1) | 1.332 (33.8) | .350 (8.9) | .575 (14.6) | 10 |
| 18 | 14 | 1 | 3.125 (79.4) | 1.027 (26.1) | 1.332 (33.8) | .350 (8.9) | .575 (14.6) | 10 |
| 19 | 14 | 2 | 2.875 (73.0) | 1.059 (26.9) | 1.551 (39.4) | .500 (12.7) | .750 (19.1) | 12 |
| 20 | 14 | 2 | 3.875 (98.4) | 1.059 (26.9) | 1.551 (39.4) | .500 (12.7) | .750 (19.1) | 12 |
| 21 | 16 | 1 | 2.125 (54.0) | 1.059 (26.9) | 1.551 (39.4) | .500 (12.7) | .700 (17.8) | 12 |
| 22 | 16 | 1 | 3.125 (79.4) | 1.059 (26.9) | 1.551 (39.4) | .500 (12.7) | .700 (17.8) | 12 |
| 23 | 16 | 2 | 2.875 (73.0) | 1.156 (29.4) | 1.770 (45.0) | .625 (15.9) | .937 (23.8) | 16 |
| 24 | 16 | 2 | 3.875 (98.4) | 1.156 (29.4) | 1.770 (45.0) | .625 (15.9) | .937 (23.8) | 16 |
| 25 | 18 | 1 | 2.125 (54.0) | 1.027 (26.1) | 1.332 (33.8) | .350 (8.9) | .625 (15.9) | 10 |
| 26 | 18 | 1 | 3.125 (79.4) | 1.027 (26.1) | 1.332 (33.8) | .350 (8.9) | .625 (15.9) | 10 |
| 27 | 18 | 1 | 2.125 (54.0) | 1.059 (26.9) | 1.551 (39.4) | .500 (12.7) | .750 (19.1) | 12 |
| 28 | 18 | 1 | 3.125 (79.4) | 1.059 (26.9) | 1.551 (39.4) | .500 (12.7) | .750 (19.1) | 12 |
| 29 | 18 | 2 | 2.875 (73.0) | 1.156 (29.4) | 1.770 (45.0) | .625 (15.9) | .937 (23.8) | 16 |
| 30 | 18 | 2 | 3.875 (98.4) | 1.156 (29.4) | 1.770 (45.0) | .625 (15.9) | .937 (23.8) | 16 |
| 31 | 20 | 1 | 3.125 (79.4) | 1.027 (26.1) | 1.332 (33.8) | .350 (8.9) | .625 (15.9) | 10 |
| 32 | 20 | 1 | 4.125 (104.8) | 1.027 (26.1) | 1.332 (33.8) | .350 (8.9) | .625 (15.9) | 10 |
| 33 | 20 | 1 | 3.125 (79.4) | 1.059 (26.9) | 1.551 (39.4) | .500 (12.7) | .750 (19.1) | 12 |
| 34 | 20 | 1 | 4.125 (104.8) | 1.059 (26.9) | 1.551 (39.4) | .500 (12.7) | .750 (19.1) | 12 |
| 35 | 20 | 2 | 3.875 (98.4) | 1.156 (29.4) | 1.770 (45.0) | .625 (15.9) | .937 (23.8) | 16 |
| 36 | 20 | 2 | 4.875 (123.8) | 1.156 (29.4) | 1.770 (45.0) | .625 (15.9) | .937 (23.8) | 16 |
| 37 | 20 | 2 | 3.875 (98.4) | 1.375 (34.9) | 2.113 (53.7) | .875 (22.2) | 1.250 (31.8) | 20 |
| 38 | 20 | 2 | 4.875 (123.8) | 1.375 (34.9) | 2.113 (53.7) | .875 (22.2) | 1.250 (31.8) | 20 |
| 39 | 22 | 1 | 3.125 (79.4) | 1.027 (26.1) | 1.332 (33.8) | .350 (8.9) | .625 (15.9) | 10 |
| 40 | 22 | 1 | 4.125 (104.8) | 1.027 (26.1) | 1.332 (33.8) | .350 (8.9) | .625 (15.9) | 10 |
| 41 | 22 | 1 | 3.125 (79.4) | 1.059 (26.9) | 1.551 (39.4) | .500 (12.7) | .750 (19.1) | 12 |
| 42 | 22 | 1 | 4.125 (104.8) | 1.059 (26.9) | 1.551 (39.4) | .500 (12.7) | .750 (19.1) | 12 |
| 43 | 22 | 1 | 3.125 (79.4) | 1.156 (29.4) | 1.770 (45.0) | .625 (15.9) | .937 (23.8) | 16 |
| 44 | 22 | 1 | 4.125 (104.8) | 1.156 (29.4) | 1.770 (45.0) | .625 (15.9) | .937 (23.8) | 16 |
| 45 | 22 | 2 | 3.875 (98.4) | 1.375 (34.9) | 2.113 (53.7) | .875 (22.2) | 1.250 (31.8) | 20 |
| 46 | 22 | 2 | 4.875 (123.8) | 1.375 (34.9) | 2.113 (53.7) | .875 (22.2) | 1.250 (31.8) | 20 |
| 47 | 24 | 1 | 3.125 (79.4) | 1.059 (26.9) | 1.551 (39.4) | .500 (12.7) | .750 (19.1) | 12 |
| 48 | 24 | 1 | 4.125 (104.8) | 1.059 (26.9) | 1.551 (39.4) | .500 (12.7) | .750 (19.1) | 12 |
| 49 | 24 | 1 | 3.125 (79.4) | 1.156 (29.4) | 1.770 (45.0) | .625 (15.9) | .812 (20.6) | 16 |
| 50 | 24 | 1 | 4.125 (104.8) | 1.156 (29.4) | 1.770 (45.0) | .625 (15.9) | .812 (20.6) | 16 |
| 51 | 24 | 1 | 3.125 (79.4) | 1.156 (29.4) | 1.770 (45.0) | .625 (15.9) | .937 (23.8) | 16 |
| 52 | 24 | 1 | 4.125 (104.8) | 1.156 (29.4) | 1.770 (45.0) | .625 (15.9) | .937 (23.8) | 16 |

Continued on Page B-33

Dimensions in inches (millimeters) and are subject to change without notice.

AS85049/11 and MS3437B Straight Environmental Backshell



AS85049

B

TABLE II: Dash Number and Cable Range (Continued From Page B-32)

| Dash No. | Shell Size | Style | E Max | K Ref. | L Max | Cable Range | | M85049/42 Ref. |
|----------|------------|-------|---------------|--------------|--------------|--------------|--------------|----------------|
| | | | | | | Min | Max | |
| 53 | 24 | 2 | 3.875 (98.4) | 1.375 (34.9) | 2.113 (53.7) | .875 (22.2) | 1.250 (31.8) | 20 |
| 54 | 24 | 2 | 4.875 (123.8) | 1.375 (34.9) | 2.113 (53.7) | .875 (22.2) | 1.250 (31.8) | 20 |
| 55 | 28 | 1 | 3.125 (79.4) | 1.059 (26.9) | 1.551 (39.4) | .500 (12.7) | .750 (19.1) | 12 |
| 56 | 28 | 1 | 4.125 (104.8) | 1.059 (26.9) | 1.551 (39.4) | .500 (12.7) | .750 (19.1) | 12 |
| 57 | 28 | 1 | 3.125 (79.4) | 1.156 (29.4) | 1.770 (45.0) | .625 (15.9) | .937 (23.8) | 16 |
| 58 | 28 | 1 | 4.125 (104.8) | 1.156 (29.4) | 1.770 (45.0) | .625 (15.9) | .937 (23.8) | 16 |
| 59 | 28 | 1 | 3.125 (79.4) | 1.375 (34.9) | 2.113 (53.7) | .875 (22.2) | 1.250 (31.8) | 20 |
| 60 | 28 | 1 | 4.125 (104.8) | 1.375 (34.9) | 2.113 (53.7) | .875 (22.2) | 1.250 (31.8) | 20 |
| 61 | 28 | 1 | 3.125 (79.4) | 1.500 (38.1) | 2.363 (60.0) | 1.000 (25.4) | 1.375 (34.9) | 24 |
| 62 | 28 | 1 | 4.125 (104.8) | 1.500 (38.1) | 2.363 (60.0) | 1.000 (25.4) | 1.375 (34.9) | 24 |
| 63 | 32 | 1 | 3.125 (79.4) | 1.156 (29.4) | 1.770 (45.0) | .625 (15.9) | .937 (23.8) | 16 |
| 64 | 32 | 1 | 4.125 (104.8) | 1.156 (29.4) | 1.770 (45.0) | .625 (15.9) | .937 (23.8) | 16 |
| 65 | 32 | 1 | 3.125 (79.4) | 1.375 (34.9) | 2.113 (53.7) | .875 (22.2) | 1.250 (31.8) | 20 |
| 66 | 32 | 1 | 4.125 (104.8) | 1.375 (34.9) | 2.113 (53.7) | .875 (22.2) | 1.250 (31.8) | 20 |
| 67 | 32 | 1 | 3.125 (79.4) | 1.500 (38.1) | 2.363 (60.0) | 1.000 (25.4) | 1.375 (34.9) | 24 |
| 68 | 32 | 1 | 4.125 (104.8) | 1.500 (38.1) | 2.363 (60.0) | 1.000 (25.4) | 1.375 (34.9) | 24 |
| 69 | 32 | 1 | 3.125 (79.4) | 1.781 (45.2) | 2.770 (70.4) | 1.250 (31.8) | 1.625 (41.3) | 28 |
| 70 | 32 | 1 | 4.125 (104.8) | 1.781 (45.2) | 2.770 (70.4) | 1.250 (31.8) | 1.625 (41.3) | 28 |
| 71 | 36 | 1 | 4.125 (104.8) | 1.375 (34.9) | 2.113 (53.7) | .875 (22.2) | 1.250 (31.8) | 20 |
| 72 | 36 | 1 | 5.125 (130.2) | 1.375 (34.9) | 2.113 (53.7) | .875 (22.2) | 1.250 (31.8) | 20 |
| 73 | 36 | 1 | 4.125 (104.8) | 1.500 (38.1) | 2.363 (60.0) | 1.000 (25.4) | 1.375 (34.9) | 24 |
| 74 | 36 | 1 | 5.125 (130.2) | 1.500 (38.1) | 2.363 (60.0) | 1.000 (25.4) | 1.375 (34.9) | 24 |
| 75 | 36 | 1 | 4.125 (104.8) | 1.781 (45.2) | 2.770 (70.4) | 1.250 (31.8) | 1.625 (41.3) | 28 |
| 76 | 36 | 1 | 5.125 (130.2) | 1.781 (45.2) | 2.770 (70.4) | 1.250 (31.8) | 1.625 (41.3) | 28 |
| 77 | 36 | 2 | 5.000 (127.0) | 1.830 (46.5) | 3.020 (76.7) | 1.437 (36.5) | 1.875 (47.6) | 32 |
| 78 | 36 | 2 | 6.000 (152.4) | 1.830 (46.5) | 3.020 (76.7) | 1.437 (36.5) | 1.875 (47.6) | 32 |
| 79 | 40 | 1 | 4.125 (104.8) | 1.375 (34.9) | 2.113 (53.7) | .875 (22.2) | 1.250 (31.8) | 20 |
| 80 | 40 | 1 | 5.125 (130.2) | 1.375 (34.9) | 2.113 (53.7) | .875 (22.2) | 1.250 (31.8) | 20 |
| 81 | 40 | 1 | 4.125 (104.8) | 1.500 (38.1) | 2.363 (60.0) | 1.000 (25.4) | 1.375 (34.9) | 24 |
| 82 | 40 | 1 | 5.125 (130.2) | 1.500 (38.1) | 2.363 (60.0) | 1.000 (25.4) | 1.375 (34.9) | 24 |
| 83 | 40 | 1 | 4.125 (104.8) | 1.781 (45.2) | 2.770 (70.4) | 1.250 (31.8) | 1.625 (41.3) | 28 |
| 84 | 40 | 1 | 5.125 (130.2) | 1.781 (45.2) | 2.770 (70.4) | 1.250 (31.8) | 1.625 (41.3) | 28 |
| 85 | 40 | 1 | 4.125 (104.8) | 1.830 (46.5) | 3.020 (76.7) | 1.437 (36.5) | 1.875 (47.6) | 32 |
| 86 | 40 | 1 | 5.125 (130.2) | 1.830 (46.5) | 3.020 (76.7) | 1.437 (36.5) | 1.875 (47.6) | 32 |
| 87 | 44 | 1 | 4.125 (104.8) | 1.375 (34.9) | 2.113 (53.7) | .875 (22.2) | 1.250 (31.8) | 20 |
| 88 | 44 | 1 | 5.125 (130.2) | 1.375 (34.9) | 2.113 (53.7) | .875 (22.2) | 1.250 (31.8) | 20 |
| 89 | 44 | 1 | 4.125 (104.8) | 1.500 (38.1) | 2.363 (60.0) | 1.000 (25.4) | 1.375 (34.9) | 24 |
| 90 | 44 | 1 | 5.125 (130.2) | 1.500 (38.1) | 2.363 (60.0) | 1.000 (25.4) | 1.375 (34.9) | 24 |
| 91 | 44 | 1 | 4.125 (104.8) | 1.781 (45.2) | 2.770 (70.4) | 1.250 (31.8) | 1.625 (41.3) | 28 |
| 92 | 44 | 1 | 5.125 (130.2) | 1.781 (45.2) | 2.770 (70.4) | 1.250 (31.8) | 1.625 (41.3) | 28 |
| 93 | 44 | 1 | 4.125 (104.8) | 1.830 (46.5) | 3.020 (76.7) | 1.437 (36.5) | 1.875 (47.6) | 32 |
| 94 | 44 | 1 | 5.125 (130.2) | 1.830 (46.5) | 3.020 (76.7) | 1.437 (36.5) | 1.875 (47.6) | 32 |
| 95 | 48 | 1 | 4.125 (104.8) | 1.375 (34.9) | 2.113 (53.7) | .875 (22.2) | 1.250 (31.8) | 20 |
| 96 | 48 | 1 | 5.125 (130.2) | 1.375 (34.9) | 2.113 (53.7) | .875 (22.2) | 1.250 (31.8) | 20 |
| 97 | 48 | 1 | 4.125 (104.8) | 1.500 (38.1) | 2.363 (60.0) | 1.000 (25.4) | 1.375 (34.9) | 24 |
| 98 | 48 | 1 | 5.125 (130.2) | 1.500 (38.1) | 2.363 (60.0) | 1.000 (25.4) | 1.375 (34.9) | 24 |
| 99 | 48 | 1 | 4.125 (104.8) | 1.781 (45.2) | 2.770 (70.4) | 1.250 (31.8) | 1.625 (41.3) | 28 |
| 100 | 48 | 1 | 5.125 (130.2) | 1.781 (45.2) | 2.770 (70.4) | 1.250 (31.8) | 1.625 (41.3) | 28 |
| 101 | 48 | 1 | 4.125 (104.8) | 1.830 (46.5) | 3.020 (76.7) | 1.437 (36.5) | 1.875 (47.6) | 32 |
| 102 | 48 | 1 | 5.125 (130.2) | 1.830 (46.5) | 3.020 (76.7) | 1.437 (36.5) | 1.875 (47.6) | 32 |
| 103 | 61 | 1 | 3.125 (79.4) | 1.059 (26.9) | 1.551 (39.4) | .500 (12.7) | .750 (19.1) | 12 |
| 104 | 61 | 1 | 4.125 (104.8) | 1.059 (26.9) | 1.551 (39.4) | .500 (12.7) | .750 (19.1) | 12 |

Continued on Page B-34

Dimensions in inches (millimeters) and are subject to change without notice.



AS85049/11 and MS3437B Straight Environmental Backshell

TABLE II: Dash Number and Cable Range (Continued From Page B-33)

| Dash No. | Shell Size | Style | E Max | K Ref. | L Max | Cable Range | | M85049/42 Ref. |
|----------|------------|-------|---------------|--------------|--------------|--------------|--------------|----------------|
| | | | | | | Min | Max | |
| 105 | 61 | 1 | 3.125 (79.4) | 1.156 (29.4) | 1.770 (45.0) | .625 (15.9) | .937 (23.8) | 16 |
| 106 | 61 | 1 | 4.125 (104.8) | 1.156 (29.4) | 1.770 (45.0) | .625 (15.9) | .937 (23.8) | 16 |
| 107 | 61 | 2 | 3.875 (98.4) | 1.375 (34.9) | 2.113 (53.7) | .875 (22.2) | 1.250 (31.8) | 20 |
| 108 | 61 | 2 | 4.875 (123.8) | 1.375 (34.9) | 2.113 (53.7) | .875 (22.2) | 1.250 (31.8) | 20 |
| 109 | 61 | 2 | 3.875 (98.4) | 1.500 (38.1) | 2.363 (60.0) | 1.000 (25.4) | 1.375 (34.9) | 24 |
| 110 | 61 | 2 | 4.875 (123.8) | 1.500 (38.1) | 2.363 (60.0) | 1.000 (25.4) | 1.375 (34.9) | 24 |
| 111 | 12 | 1 | 2.125 (54.0) | 1.027 (26.1) | 1.332 (33.8) | .350 (8.9) | .500 (12.7) | 10 |
| 112 | 16 | 1 | 2.125 (54.0) | 1.027 (26.1) | 1.145 (29.1) | .250 (6.4) | .437 (11.1) | 6 |
| 113 | 16 | 1 | 3.125 (79.4) | 1.027 (26.1) | 1.145 (29.1) | .250 (6.4) | .437 (11.1) | 6 |
| 114 | 12 | 1 | 2.125 (54.0) | 1.027 (26.1) | .957 (24.3) | .125 (3.2) | .312 (7.9) | 4 |
| 115 | 12 | 1 | 3.125 (79.4) | 1.027 (26.1) | .957 (24.3) | .125 (3.2) | .312 (7.9) | 4 |
| 116 | 14 | 1 | 2.125 (54.0) | 1.027 (26.1) | 1.145 (29.1) | .250 (6.4) | .437 (11.1) | 6 |
| 117 | 14 | 1 | 3.125 (79.4) | 1.027 (26.1) | 1.145 (29.1) | .250 (6.4) | .437 (11.1) | 6 |
| 118 | 16 | 1 | 2.125 (54.0) | 1.027 (26.1) | 1.332 (33.8) | .350 (8.9) | .625 (15.9) | 10 |
| 119 | 16 | 1 | 3.125 (79.4) | 1.027 (26.1) | 1.332 (33.8) | .350 (8.9) | .625 (15.9) | 10 |
| 120 | 18 | 1 | 2.125 (54.0) | 1.027 (26.1) | .957 (24.3) | .125 (3.2) | .312 (7.9) | 4 |
| 121 | 18 | 1 | 3.125 (79.4) | 1.027 (26.1) | .957 (24.3) | .125 (3.2) | .312 (7.9) | 4 |
| 122 | 18 | 1 | 2.125 (54.0) | 1.027 (26.1) | 1.145 (29.1) | .250 (6.4) | .437 (11.1) | 6 |
| 123 | 18 | 1 | 3.125 (79.4) | 1.027 (26.1) | 1.145 (29.1) | .250 (6.4) | .437 (11.1) | 6 |
| 124 | 20 | 1 | 3.125 (79.4) | 1.027 (26.1) | 1.145 (29.1) | .250 (6.4) | .437 (11.1) | 6 |
| 125 | 20 | 1 | 4.125 (104.8) | 1.027 (26.1) | 1.145 (29.1) | .250 (6.4) | .437 (11.1) | 6 |
| 126 | 22 | 1 | 3.125 (79.4) | 1.027 (26.1) | .957 (24.3) | .125 (3.2) | .312 (7.9) | 4 |
| 127 | 22 | 1 | 4.125 (104.8) | 1.027 (26.1) | .957 (24.3) | .125 (3.2) | .312 (7.9) | 4 |
| 128 | 22 | 1 | 3.125 (79.4) | 1.027 (26.1) | 1.145 (29.1) | .250 (6.4) | .437 (11.1) | 6 |
| 129 | 22 | 1 | 4.125 (104.8) | 1.027 (26.1) | 1.145 (29.1) | .250 (6.4) | .437 (11.1) | 6 |
| 130 | 24 | 1 | 3.125 (79.4) | 1.027 (26.1) | 1.332 (33.8) | .350 (8.9) | .625 (15.9) | 10 |
| 131 | 24 | 1 | 4.125 (104.8) | 1.027 (26.1) | 1.332 (33.8) | .350 (8.9) | .625 (15.9) | 10 |
| 132 | 36 | 1 | 4.125 (104.8) | 1.059 (26.9) | 1.551 (39.4) | .500 (12.7) | .750 (19.1) | 12 |
| 133 | 36 | 1 | 5.125 (130.2) | 1.059 (26.9) | 1.551 (39.4) | .500 (12.7) | .750 (19.1) | 12 |
| 134 | 40 | 1 | 4.125 (104.8) | 1.059 (26.9) | 1.551 (39.4) | .500 (12.7) | .750 (19.1) | 12 |
| 135 | 40 | 1 | 5.125 (130.2) | 1.059 (26.9) | 1.551 (39.4) | .500 (12.7) | .750 (19.1) | 12 |
| 136 | 10 | 1 | 2.125 (54.0) | 1.027 (26.1) | 1.145 (29.1) | .250 (6.4) | .375 (9.5) | 6 |
| 137 | 10 | 1 | 3.125 (79.4) | 1.027 (26.1) | 1.145 (29.1) | .250 (6.4) | .375 (9.5) | 6 |
| 138 | 12 | 1 | 2.125 (54.0) | 1.027 (26.1) | 1.332 (33.8) | .350 (8.9) | .500 (12.7) | 10 |
| 139 | 12 | 1 | 3.125 (79.4) | 1.027 (26.1) | 1.332 (33.8) | .350 (8.9) | .500 (12.7) | 10 |
| 140 | 20 | 1 | 3.125 (79.4) | 1.156 (29.4) | 1.770 (45.0) | .625 (15.9) | .904 (23.0) | 16 |
| 141 | 20 | 1 | 4.125 (104.8) | 1.156 (29.4) | 1.770 (45.0) | .625 (15.9) | .904 (23.0) | 16 |
| 142 | 22 | 1 | 3.125 (79.4) | 1.375 (34.9) | 2.113 (53.7) | .875 (22.2) | 1.029 (26.1) | 20 |
| 143 | 22 | 1 | 4.125 (104.8) | 1.375 (34.9) | 2.113 (53.7) | .875 (22.2) | 1.029 (26.1) | 20 |
| 144 | 24 | 1 | 3.125 (79.4) | 1.375 (34.9) | 2.113 (53.7) | .875 (22.2) | 1.144 (29.1) | 20 |
| 145 | 24 | 1 | 4.125 (104.8) | 1.375 (34.9) | 2.113 (53.7) | .875 (22.2) | 1.144 (29.1) | 20 |
| 146 | 36 | 1 | 4.125 (104.8) | 1.830 (46.5) | 3.020 (76.7) | 1.437 (36.5) | 1.840 (46.7) | 32 |
| 147 | 36 | 1 | 5.125 (130.2) | 1.830 (46.5) | 3.020 (76.7) | 1.437 (36.5) | 1.840 (46.7) | 32 |
| 148 | 38 | 1 | 4.125 (104.8) | 1.156 (29.4) | 1.770 (45.0) | .625 (15.9) | .937 (23.8) | 16 |
| 149 | 38 | 1 | 5.125 (130.2) | 1.156 (29.4) | 1.770 (45.0) | .625 (15.9) | .937 (23.8) | 16 |
| 150 | 14 | 1 | 2.125 (54.0) | 1.027 (26.1) | .957 (24.3) | .125 (3.2) | .312 (7.9) | 4 |
| 151 | 14 | 1 | 3.125 (79.4) | 1.027 (26.1) | .957 (24.3) | .125 (3.2) | .312 (7.9) | 4 |
| 152 | 16 | 1 | 2.125 (54.0) | 1.027 (26.1) | .957 (24.3) | .125 (3.2) | .312 (7.9) | 4 |
| 153 | 16 | 1 | 3.125 (79.4) | 1.027 (26.1) | .957 (24.3) | .125 (3.2) | .312 (7.9) | 4 |
| 154 | 44 | 1 | 4.125 (104.8) | 1.156 (29.4) | 1.770 (45.0) | .625 (15.9) | .937 (23.8) | 16 |
| 155 | 44 | 1 | 5.125 (130.2) | 1.156 (29.4) | 1.770 (45.0) | .625 (15.9) | .937 (23.8) | 16 |
| 156 | 40 | 1 | 4.125 (104.8) | 1.156 (29.4) | 1.770 (45.0) | .625 (15.9) | .937 (23.8) | 16 |
| 157 | 40 | 1 | 5.125 (130.2) | 1.156 (29.4) | 1.770 (45.0) | .625 (15.9) | .937 (23.8) | 16 |

Dimensions in inches (millimeters) and are subject to change without notice.

AS85049/14S Self-Locking E-Nut

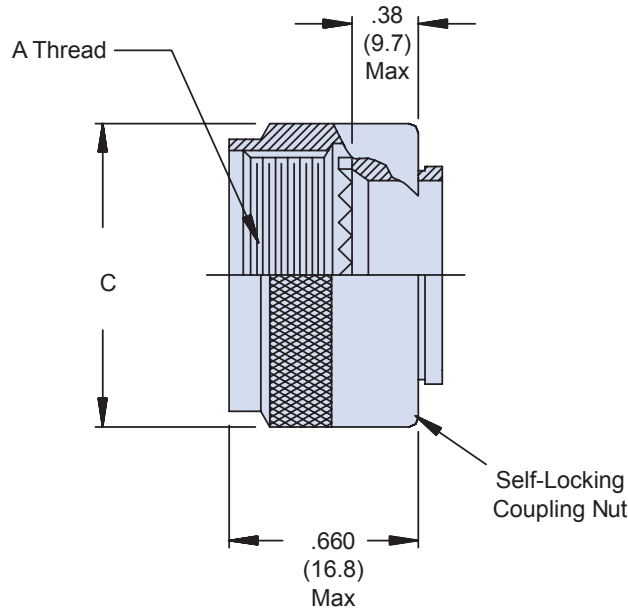
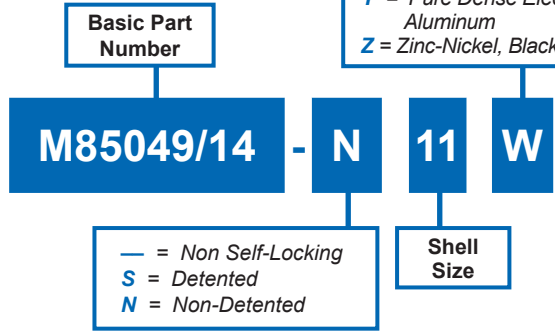


AS85049

B

| CONNECTOR DESIGNATOR: | |
|-----------------------|--|
| H | MIL-DTL-38999 Series III & IV EN36455 |

| Finish |
|--|
| <i>A</i> = Anodize, Black |
| <i>N</i> = Electroless Nickel |
| <i>W</i> = 1,000 Hour Cadmium Olive Drab over Electroless Nickel |
| <i>X</i> = Nickel Fluorocarbon Polymer |
| <i>Y</i> = Pure Dense Electrodeposited Aluminum |
| <i>Z</i> = Zinc-Nickel, Black |



| TABLE I: Shell Size, Shell Size Code, Thread and Dimensions | | | |
|---|----------------------|-------------------|-------------|
| Shell Size | Shell Size Code Ref. | A Thread Class 2B | Ø C Max |
| 9 | A | M12 X 1 - 6H | .86 (21.8) |
| 11 | B | M15 X 1 - 6H | .98 (24.9) |
| 13 | C | M18 X 1 - 6H | 1.16 (29.5) |
| 15 | D | 1M22 X 1 - 6H | 1.28 (32.5) |
| 17 | E | M25 X 1 - 6H | 1.41 (35.8) |
| 19 | F | M28 X 1 - 6H | 1.52 (38.6) |
| 21 | G | M31 X 1 - 6H | 1.64 (41.7) |
| 23 | H | M34 X 1 - 6H | 1.77 (45.0) |
| 25 | J | M37 X 1 - 6H | 1.89 (48.0) |

| APPLICATION NOTES |
|--|
| 1. For complete dimensions, see the applicable Military Specification. |
| 2. Metric dimensions (mm) are indicated in parentheses. |

Dimensions in inches (millimeters) and are subject to change without notice.



AS85049/15 and AS85049/16

45° and 90° Qwik-Ty® Strain Reliefs

Self-Locking Coupling • Optional Ground Lug

CONNECTOR DESIGNATOR:

H MIL-DTL-38999, Series III and IV
EN3645

SELF-LOCKING COUPLING

Configuration

— = Non-Self-Locking
N = Non-Detented
G = Self-Locking with Ground Lug
H = Non-Detented with Ground Lug
S = Self-Locking without Ground Lug

Finish

A = Anodize, Black
N = Electroless Nickel
W = 1,000 Hour Cadmium Olive Drab
 over Electroless Nickel
X = Nickel Fluorocarbon Polymer
Y = Pure Dense Electrodeposited
 Aluminum
Z = Zinc-Nickel, Black

Basic Part Number

M85049/15 = 45°
M85049/16 = 90°

M85049/15

G

11

N

Shell Size

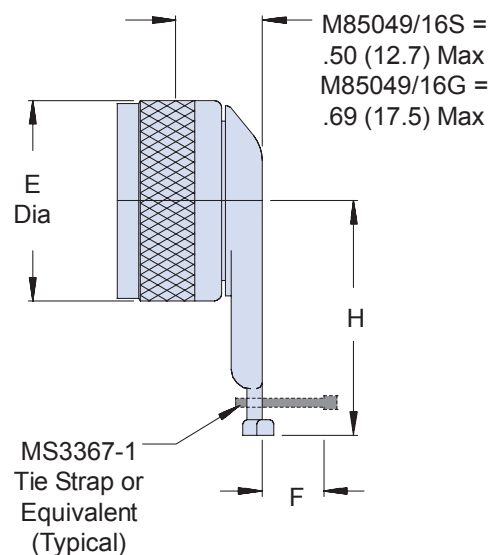
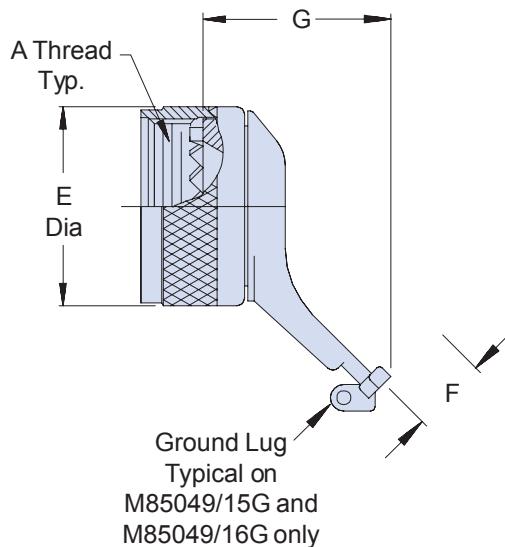


TABLE I: Shell Size, Thread, Cable Entry and Backshell Dimensions

| Shell Size | A Thread Class 2B | E Dia Max | F Max Cable Entry | M85049/15S G Max | M85049/15G G Max | M85049/16 H Max |
|------------|-------------------|--------------|-------------------|------------------|------------------|-----------------|
| 9 | M12 X 1 - 6H | .860 (21.8) | .264 (6.7) | 1.030 (26.2) | 1.210 (30.7) | 1.220 (31.0) |
| 11 | M15 X 1 - 6H | .984 (25.0) | .392 (10.0) | 1.030 (26.2) | 1.210 (30.7) | 1.290 (32.8) |
| 13 | M18 X 1 - 6H | 1.160 (29.5) | .506 (12.9) | 1.030 (26.2) | 1.390 (35.3) | 1.620 (41.1) |
| 15 | M22 X 1 - 6H | 1.280 (32.5) | .631 (16.0) | 1.090 (27.7) | 1.390 (35.3) | 1.660 (42.2) |
| 17 | M25 X 1 - 6H | 1.410 (35.8) | .756 (19.2) | 1.110 (28.2) | 1.390 (35.3) | 1.720 (43.7) |
| 19 | M28 X 1 - 6H | 1.520 (38.6) | .845 (21.5) | 1.210 (30.7) | 1.390 (35.3) | 1.720 (43.7) |
| 21 | M31 X 1 - 6H | 1.640 (41.7) | .970 (24.6) | 1.260 (32.0) | 1.390 (35.3) | 1.790 (45.5) |
| 23 | M34 X 1 - 6H | 1.770 (45.0) | 1.095 (27.8) | 1.300 (33.0) | 1.390 (35.3) | 1.850 (47.0) |
| 25 | M37 X 1 - 6H | 1.890 (48.0) | 1.220 (31.0) | 1.340 (34.0) | 1.390 (35.3) | 1.910 (48.5) |

APPLICATION NOTES

1. Assembly identified with manufacturer's name and part number, space permitting.
2. For complete dimensions, see the applicable Military Specification.
3. Cable entry is defined as the accommodation range for the wire bundle or cable. Dimensions shown are not intended for inspection criteria.
4. Metric dimensions (mm) are in parentheses.

Dimensions in inches (millimeters) and are subject to change without notice.

AS85049/17 Straight EMI/RFI Environmental Backshell



AS85049

CONNECTOR DESIGNATOR:

F MIL-DTL-38999 Series I and II

Finish
N = Electroless Nickel **X** = Aluminum, Nickel Fluorocarbon Polymer
W = 1,000 Hr. Cadmium Olive Drab over Electroless Nickel **Z** = Aluminum, Zinc-Nickel, Black over Electroless Nickel

M85049/17

10

N

03

A

Basic Part Number **Dash Number (Table I)** **Clamp Size (Table III)** **Length Code (Table IV) Omit for Standard**

B

TABLE I: Shell Size, Thread and Dimensions

| Dash No. | Shell Size Series I | Shell Size Series II | A Thread Class 2B | B Dia Max |
|----------|---------------------|----------------------|-------------------|--------------|
| 08 | 09 | 08 | .438 - 28 UNEF | .570 (14.5) |
| 10 | 11 | 10 | .562 - 24 UNEF | .700 (17.8) |
| 12 | 13 | 12 | .688 - 24 UNEF | .830 (21.1) |
| 14 | 15 | 14 | .813 - 20 UNEF | .950 (24.1) |
| 16 | 17 | 16 | .938 - 20 UNEF | 1.080 (27.4) |
| 18 | 19 | 18 | 1.063 - 18 UNEF | 1.200 (30.5) |
| 20 | 21 | 20 | 1.188 - 18 UNEF | 1.330 (33.8) |
| 22 | 23 | 22 | 1.313 - 18 UNEF | 1.450 (36.8) |
| 24 | 25 | 24 | 1.438 - 18 UNEF | 1.580 (40.1) |

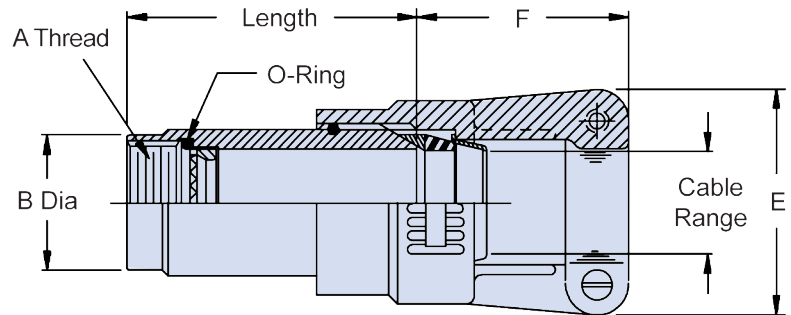


TABLE II: Shell Size and Clamp Size

| Dash No. | Shell Size Series I | Shell Size Series II | Clamp Size | |
|----------|---------------------|----------------------|------------|-----|
| | | | Min | Max |
| 08 | 09 | 08 | 01 | 02 |
| 10 | 11 | 10 | 01 | 03 |
| 12 | 13 | 12 | 02 | 04 |
| 14 | 15 | 14 | 02 | 05 |
| 16 | 17 | 16 | 02 | 06 |
| 18 | 19 | 18 | 03 | 07 |
| 20 | 21 | 20 | 03 | 08 |
| 22 | 23 | 22 | 03 | 09 |
| 24 | 25 | 24 | 04 | 10 |

TABLE III: Clamp Size, Cable Range and Dimensions

| Clamp Size | Cable Range | | E Max | F Max |
|------------|--------------|--------------|--------------|--------------|
| | Min | Max | | |
| 01 | .062 (1.6) | .125 (3.2) | .781 (19.8) | 1.250 (31.8) |
| 02 | .125 (3.2) | .250 (6.4) | .969 (24.6) | 1.250 (31.8) |
| 03 | .250 (6.4) | .375 (9.5) | 1.062 (27.0) | 1.250 (31.8) |
| 04 | .375 (9.5) | .500 (12.7) | 1.156 (29.4) | 1.250 (31.8) |
| 05 | .500 (12.7) | .625 (15.9) | 1.250 (31.8) | 1.312 (33.3) |
| 06 | .625 (15.9) | .750 (19.1) | 1.375 (34.9) | 1.375 (34.9) |
| 07 | .750 (19.1) | .875 (22.2) | 1.500 (38.1) | 1.500 (38.1) |
| 08 | .875 (22.2) | 1.000 (25.4) | 1.625 (41.3) | 1.625 (41.3) |
| 09 | 1.000 (25.4) | 1.125 (28.6) | 1.750 (44.5) | 1.625 (41.3) |
| 10 | 1.125 (28.6) | 1.250 (31.8) | 1.875 (47.6) | 1.625 (41.3) |

TABLE IV: Length Code

| Length Code | Available Shell Sizes | Length |
|-------------|-----------------------|---------------|
| Standard | 08 - 24 | 1.500 (38.1) |
| A | 08 - 24 | 2.500 (63.5) |
| B | 14 - 24 | 3.500 (88.9) |
| C | 20 - 24 | 4.500 (114.3) |

APPLICATION NOTES

- For complete dimensions see the applicable Military Specification.
- Metric dimensions (mm) are in parentheses.
- Cable Range is defined as the accommodation range for the wire bundle or cable. Dimensions shown are not intended for inspection criteria.

Dimensions in inches (millimeters) and are subject to change without notice.

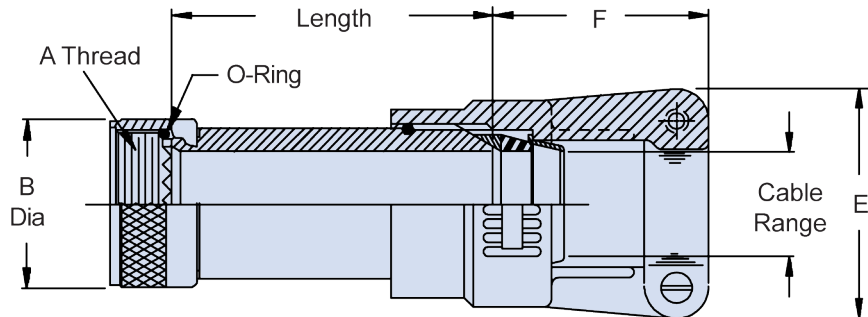
CONNECTOR DESIGNATOR:

H MIL-DTL-38999, Series III and IV
EN3645

Finish
N = Electroless Nickel **X** = Aluminum, Nickel Fluorocarbon Polymer
W = 1,000 Hr. Cadmium Olive Drab over Electroless Nickel **Z** = Aluminum, Zinc-Nickel, Black over Electroless Nickel

M85049/18**11****N****03****A**Basic
Part NumberShell Size
(Table I)Clamp Size
(Table III)Length Code
(Table IV)
Omit for StandardTABLE I: Shell Size,
Thread and Dimensions

| Shell Size | A Thread Class 2B | B Dia Max |
|------------|-------------------|--------------|
| 9 | M12 X 1 - 6H | .750 (19.1) |
| 11 | M15 X 1 - 6H | .850 (21.6) |
| 13 | M18 X 1 - 6H | 1.000 (25.4) |
| 15 | M22 X 1 - 6H | 1.150 (29.2) |
| 17 | M25 X 1 - 6H | 1.250 (31.8) |
| 19 | M28 X 1 - 6H | 1.400 (35.6) |
| 21 | M31 X 1 - 6H | 1.550 (39.4) |
| 23 | M34 X 1 - 6H | 1.650 (41.9) |
| 25 | M37 X 1 - 6H | 1.850 (47.0) |

TABLE II:
Shell Size and
Clamp Size

| Shell Size | Clamp Size | |
|------------|------------|-----|
| | Min | Max |
| 9 | 01 | 02 |
| 11 | 01 | 03 |
| 13 | 02 | 04 |
| 15 | 02 | 05 |
| 17 | 02 | 06 |
| 19 | 03 | 07 |
| 21 | 03 | 08 |
| 23 | 03 | 09 |
| 25 | 04 | 10 |

TABLE III: Clamp Size, Cable Range and Dimensions

| Clamp Size | Cable Range | | E Max | F Max |
|------------|--------------|--------------|--------------|--------------|
| | Min | Max | | |
| 01 | .062 (1.6) | .125 (3.2) | .781 (19.8) | 1.250 (31.8) |
| 02 | .125 (3.2) | .250 (6.4) | .969 (24.6) | 1.250 (31.8) |
| 03 | .250 (6.4) | .375 (9.5) | 1.062 (27.0) | 1.250 (31.8) |
| 04 | .375 (9.5) | .500 (12.7) | 1.156 (29.4) | 1.250 (31.8) |
| 05 | .500 (12.7) | .625 (15.9) | 1.250 (31.8) | 1.312 (33.3) |
| 06 | .625 (15.9) | .750 (19.1) | 1.375 (34.9) | 1.375 (34.9) |
| 07 | .750 (19.1) | .875 (22.2) | 1.500 (38.1) | 1.500 (38.1) |
| 08 | .875 (22.2) | 1.000 (25.4) | 1.625 (41.3) | 1.625 (41.3) |
| 09 | 1.000 (25.4) | 1.125 (28.6) | 1.750 (44.5) | 1.625 (41.3) |
| 10 | 1.125 (28.6) | 1.250 (31.8) | 1.875 (47.6) | 1.625 (41.3) |

TABLE IV: Length Code

| Length Code | Available Shell Sizes | Length |
|-------------|-----------------------|---------------|
| Standard | 9 - 25 | 1.500 (38.1) |
| A | 9 - 25 | 2.500 (63.5) |
| B | 9 - 25 | 3.500 (88.9) |
| C | 9 - 25 | 4.500 (114.3) |

APPLICATION NOTES

- For complete dimensions see the applicable Military Specification.
- Metric dimensions (mm) are in parentheses.
- Cable Range is defined as the accommodation range for the wire bundle or cable. Dimensions shown are not intended for inspection criteria.

Dimensions in inches (millimeters) and are subject to change without notice.

AS85049/19 Straight EMI/RFI Non-Environmental Backshell



AS85049

B

CONNECTOR DESIGNATOR:

H MIL-DTL-38999 Series III and IV
EN3645

Finish

N = Electroless Nickel
W = Cadmium, Olive Drab
X = Nickel Fluorocarbon Polymer
Z = Zinc Nickel

M85049/19

11

W

03

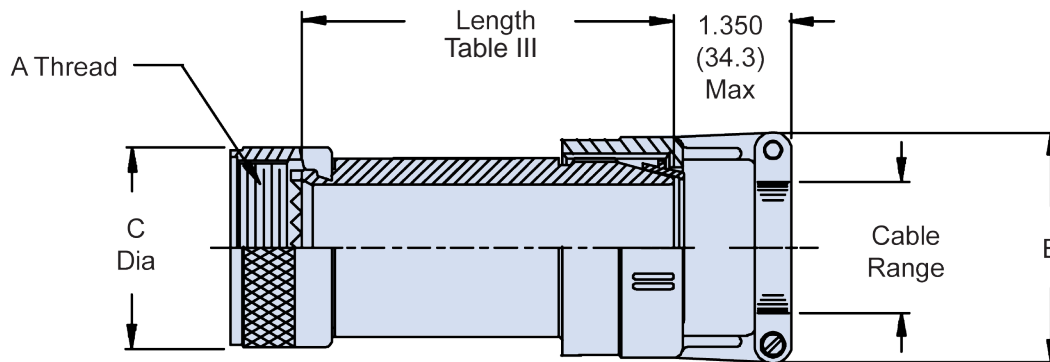
A

**Basic
Part Number**

**Shell Size
(Table I)**

**Clamp Size
(Table II)**

**Length
Code
(Omit for
Standard)
(Table III)**



APPLICATION NOTES

1. For complete dimensions see the applicable Military Specification.
2. Metric dimensions (mm) are in parentheses.
3. Cable Range is defined as the accommodation range for the wire bundle or cable. Dimensions shown are not intended for inspection criteria.

Dimensions in inches (millimeters) and are subject to change without notice.



AS85049/19 Straight EMI/RFI Non-Environmental Backshell

TABLE I: Shell Size and Clamp Size

| Shell Size | Clamp Size | | A Thread Class 6H | C Dia Max |
|------------|------------|-----|-------------------|--------------|
| | Min | Max | | |
| 9 | 01 | 02 | M12 X 1 - 6H | .750 (19.1) |
| 11 | 01 | 03 | M15 X 1 - 6H | .850 (21.6) |
| 13 | 02 | 04 | M18 X 1 - 6H | 1.000 (25.4) |
| 15 | 02 | 05 | M22 X 1 - 6H | 1.100 (27.9) |
| 17 | 02 | 06 | M25 X 1 - 6H | 1.250 (31.8) |
| 19 | 03 | 07 | M28 X 1 - 6H | 1.400 (35.6) |
| 21 | 03 | 08 | M31 X 1 - 6H | 1.500 (38.1) |
| 23 | 03 | 09 | M34 X 1 - 6H | 1.650 (41.9) |
| 25 | 04 | 10 | M37 X 1 - 6H | 1.700 (43.2) |

TABLE II: Cable Range and Dimensions

| Clamp Size | Cable Range | | E Max |
|------------|--------------|--------------|--------------|
| | Min | Max | |
| 01 | .062 (1.6) | .125 (3.2) | .800 (20.3) |
| 02 | .125 (3.2) | .250 (6.4) | 1.000 (25.4) |
| 03 | .250 (6.4) | .375 (9.5) | 1.100 (27.9) |
| 04 | .312 (7.9) | .500 (12.7) | 1.200 (30.5) |
| 05 | .437 (11.1) | .625 (15.9) | 1.250 (31.8) |
| 06 | .562 (14.3) | .750 (19.1) | 1.400 (35.6) |
| 07 | .687 (17.4) | .875 (22.2) | 1.500 (38.1) |
| 08 | .812 (20.6) | 1.000 (25.4) | 1.650 (41.9) |
| 09 | .937 (23.8) | 1.125 (28.6) | 1.750 (44.5) |
| 10 | 1.062 (27.0) | 1.250 (31.8) | 1.900 (48.3) |

TABLE III: Length Code

| Length Code | Available Shell Sizes | Length |
|-------------|-----------------------|---------------|
| Std. | 9 - 25 | 1.500 (38.1) |
| A | 9 - 25 | 2.500 (63.5) |
| B | 15 - 25 | 3.500 (88.9) |
| C | 21 - 25 | 4.500 (114.3) |

Dimensions in inches (millimeters) and are subject to change without notice.

AS85049/20 Straight Crimp Ring Backshell and Crimp Ring

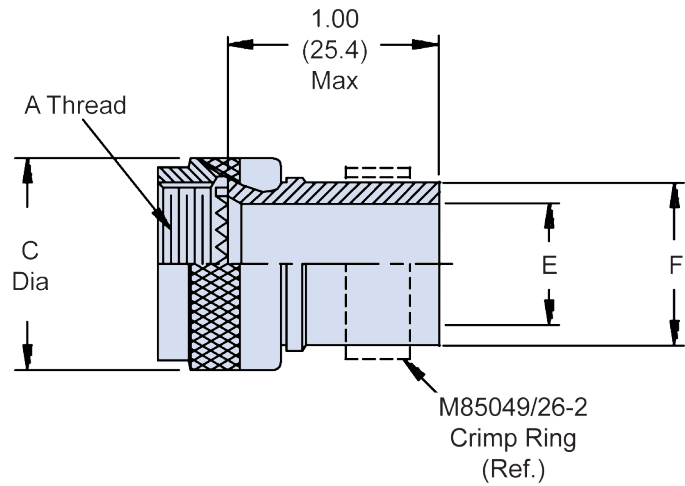
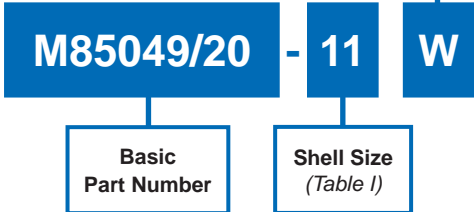


AS85049

B

| CONNECTOR DESIGNATOR: | |
|-----------------------|---|
| H | MIL-DTL-38999 Series III and IV EN3645 |

| Finish |
|---|
| <i>N</i> = Electroless Nickel |
| <i>W</i> = 1,000 Hr. Cadmium Olive Drab over Electroless Nickel |
| <i>X</i> = Aluminum, Nickel Fluorocarbon Polymer |
| <i>Z</i> = Aluminum, Zinc-Nickel, Black |



| Shell Size | A Thread Class 2B | C Dia Max | E Dia ± .015 (0.4) | F Dia Max | M85049/26-2 Crimp Ring Ref |
|------------|-------------------|--------------|--------------------|--------------|----------------------------|
| 9 | M12 X 1 - 6H | .750 (19.1) | .250 (6.4) | .347 (8.8) | 8 |
| 11 | M15 X 1 - 6H | .850 (21.6) | .325 (8.3) | .498 (12.6) | 10 |
| 13 | M18 X 1 - 6H | 1.000 (25.4) | .420 (10.7) | .510 (13.0) | 12 |
| 15 | M22 X 1 - 6H | 1.100 (27.9) | .540 (13.7) | .630 (16.0) | 14 |
| 17 | M25 X 1 - 6H | 1.250 (31.8) | .670 (17.0) | .760 (19.3) | 16 |
| 19 | M28 X 1 - 6H | 1.400 (35.6) | .789 (20.0) | .890 (22.6) | 18 |
| 21 | M31 X 1 - 6H | 1.500 (38.1) | .914 (23.2) | 1.010 (25.7) | 20 |
| 23 | M34 X 1 - 6H | 1.650 (41.9) | 1.039 (26.4) | 1.130 (28.7) | 22 |
| 25 | M37 X 1 - 6H | 1.750 (44.5) | 1.112 (28.2) | 1.202 (30.5) | 24 |

| | |
|----|--|
| 1. | For complete dimensions see the applicable Military Specification. |
| 2. | Metric dimensions (mm) are in parentheses. |
| 3. | Cable Entry is defined as the accommodation range for the wire bundle or cable. Dimensions shown are not intended for inspection criteria. |

Dimensions in inches (millimeters) and are subject to change without notice.

CONNECTOR DESIGNATOR:

H MIL-DTL-38999 Series III and IV
EN3645

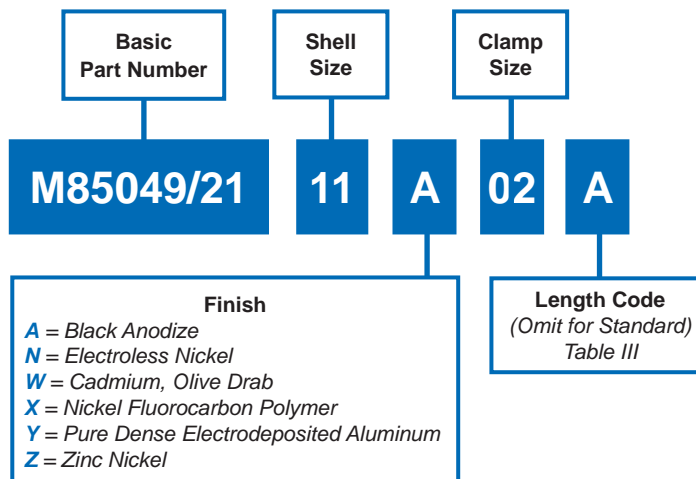


TABLE III: Length Code

| Code | Length ± .032 (0.8) |
|----------|------------------------|
| Standard | 1.50 (38.1) |
| A | 2.50 (63.5) |
| B | 3.50 (88.9) |
| C | 4.50 (114.3) |

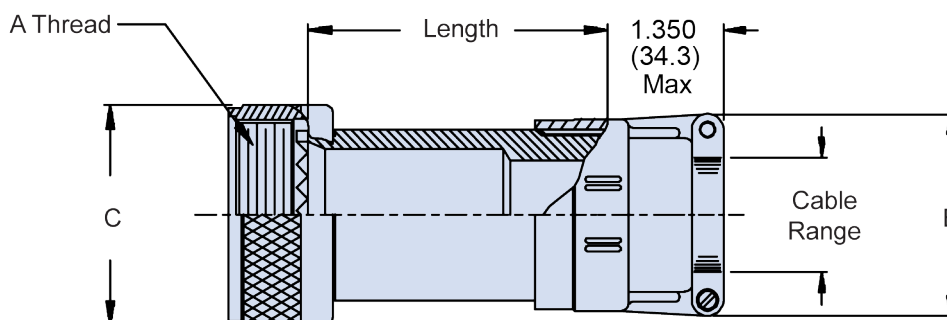


TABLE I: Shell Size, Clamp Size and Dimensions

| Shell Size | Clamp Size* | | A Thread Class 6H | C Dia Max |
|------------|-------------|-----|-------------------|--------------|
| | Min | Max | | |
| 9 | 01 | 02 | M12 X 1 - 6H | .750 (19.1) |
| 11 | 01 | 03 | M15 X 1 - 6H | .850 (21.6) |
| 13 | 02 | 04 | M18 X 1 - 6H | 1.000 (25.4) |
| 15 | 02 | 05 | M22 X 1 - 6H | 1.100 (27.9) |
| 17 | 02 | 06 | M25 X 1 - 6H | 1.250 (31.8) |
| 19 | 03 | 07 | M28 X 1 - 6H | 1.400 (35.6) |
| 21 | 03 | 08 | M31 X 1 - 6H | 1.500 (38.1) |
| 23 | 03 | 09 | M34 X 1 - 6H | 1.650 (41.9) |
| 25 | 04 | 10 | M37 X 1 - 6H | 1.750 (44.5) |

*Clamp Size from Table IV, AS85049/21 Specifications.

TABLE II: Clamp Size, Cable Range and Dimensions

| Clamp Size | Cable Range | | E Max |
|------------|--------------|--------------|--------------|
| | Min | Max | |
| 01 | .062 (1.6) | .125 (3.2) | .800 (20.3) |
| 02 | .125 (3.2) | .250 (6.4) | 1.000 (25.4) |
| 03 | .250 (6.4) | .375 (9.5) | 1.100 (27.9) |
| 04 | .312 (7.9) | .500 (12.7) | 1.200 (30.5) |
| 05 | .437 (11.1) | .625 (15.9) | 1.250 (31.8) |
| 06 | .562 (14.3) | .750 (19.1) | 1.400 (35.6) |
| 07 | .687 (17.4) | .875 (22.2) | 1.500 (38.1) |
| 08 | .812 (20.6) | 1.000 (25.4) | 1.650 (41.9) |
| 09 | .937 (23.8) | 1.125 (28.6) | 1.750 (44.5) |
| 10 | 1.062 (27.0) | 1.250 (31.8) | 1.900 (48.3) |

APPLICATION NOTES

- For complete dimensions see the applicable Military Specification.
- Metric dimensions (mm) are in parentheses.
- Cable Range is defined as the accommodation range for the wire bundle or cable. Dimensions shown are not intended for inspection criteria.

Dimensions in inches (millimeters) and are subject to change without notice.

AS85049/23 and MS3189C 45° EMI/RFI Non-Environmental Backshell



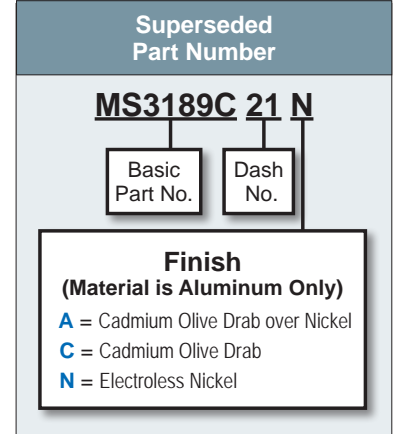
AS85049

| CONNECTOR DESIGNATOR: | |
|-----------------------|---|
| A | AS50151 Series AS34001 |
| | MIL-DTL-26482 Series II |
| | AS81703 Series III |
| | MIL-DTL-83723 Series I & III |
| | 40M39569, DEF 5326-3, EN 2997 |
| | EN 3646, ESC 10, ESC 11, LN 29504 |
| | NFC93422 Series HE302 PAN 6432-1, PAN 6432-2, PATT 602 |

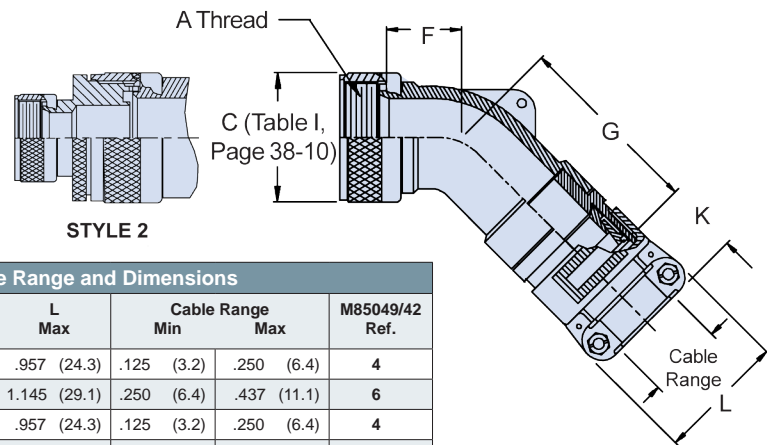


Finish / Material

B = Black Cadmium / Stainless Steel
N = Electroless Nickel / Aluminum
S = Passivated / Stainless Steel
W = 1,000 Hr. Cadmium Olive Drab over Electroless Nickel / Aluminum
X = Aluminum, Nickel Fluorocarbon Polymer
Z = Aluminum, Zinc-Nickel, Black
XS = Stainless Steel, Nickel Fluorocarbon Polymer
ZS = Stainless Steel, Zinc-Nickel, Black



B



STYLE 2

| TABLE II: Dash Number, Cable Range and Dimensions | | | | | | | | |
|---|------------|--------------|--------------|--------------|--------------|-------------|--------------|----------------|
| Dash No. | Shell Size | F Max | G Max | K Ref. | L Max | Cable Range | | M85049/42 Ref. |
| | | | | | | Min | Max | |
| 1 | 3 | .687 (17.4) | 1.915 (48.6) | 1.027 (26.1) | .957 (24.3) | .125 (3.2) | .250 (6.4) | 4 |
| 2 | 3 | 1.500 (38.1) | 2.035 (51.7) | 1.027 (26.1) | 1.145 (29.1) | .250 (6.4) | .437 (11.1) | 6 |
| 3 | 8 | .625 (15.9) | 1.307 (33.2) | 1.027 (26.1) | .957 (24.3) | .125 (3.2) | .250 (6.4) | 4 |
| 4 | 10 | .687 (17.4) | 1.975 (50.2) | 1.027 (26.1) | .957 (24.3) | .125 (3.2) | .312 (7.9) | 4 |
| 5 | 10 | .687 (17.4) | 1.370 (34.8) | 1.027 (26.1) | 1.145 (29.1) | .250 (6.4) | .375 (9.5) | 6 |
| 6 | 12 | .750 (19.1) | 2.035 (51.7) | 1.027 (26.1) | .957 (24.3) | .125 (3.2) | .312 (7.9) | 4 |
| 7 | 12 | .750 (19.1) | 2.035 (51.7) | 1.027 (26.1) | 1.145 (29.1) | .250 (6.4) | .437 (11.1) | 6 |
| 8 | 12 | .750 (19.1) | 2.035 (51.7) | 1.027 (26.1) | 1.332 (33.8) | .350 (8.9) | .500 (12.7) | 10 |
| 9 | 14 | .812 (20.6) | 2.125 (54.0) | 1.027 (26.1) | 1.145 (29.1) | .250 (6.4) | .437 (11.1) | 6 |
| 10 | 14 | .812 (20.6) | 1.780 (45.2) | 1.027 (26.1) | 1.332 (33.8) | .350 (8.9) | .575 (14.6) | 10 |
| 11 | 16 | .906 (23.0) | 2.235 (56.8) | 1.027 (26.1) | 1.145 (29.1) | .250 (6.4) | .437 (11.1) | 6 |
| 12 | 16 | .906 (23.0) | 1.875 (47.6) | 1.059 (26.9) | 1.551 (39.4) | .500 (12.7) | .700 (17.8) | 12 |
| 13 | 18 | 1.093 (27.8) | 2.425 (61.6) | 1.027 (26.1) | 1.332 (33.8) | .350 (8.9) | .625 (15.9) | 10 |
| 14 | 18 | 1.093 (27.8) | 2.062 (52.4) | 1.156 (29.4) | 1.770 (45.0) | .625 (15.9) | .779 (19.8) | 16 |
| 15 | 20 | 1.093 (27.8) | 2.425 (61.6) | 1.027 (26.1) | 1.332 (33.8) | .350 (8.9) | .625 (15.9) | 10 |
| 16 | 20 | 1.093 (27.8) | 2.062 (52.4) | 1.156 (29.4) | 1.770 (45.0) | .625 (15.9) | .904 (23.0) | 16 |
| 17 | 22 | 1.188 (30.2) | 2.575 (65.4) | 1.059 (26.9) | 1.551 (39.4) | .500 (12.7) | .750 (19.1) | 12 |
| 18 | 22 | 1.188 (30.2) | 2.218 (56.3) | 1.375 (34.9) | 2.113 (53.7) | .875 (22.2) | 1.029 (26.1) | 20 |
| 19 | 24 | 1.188 (30.2) | 2.575 (65.4) | 1.069 (27.2) | 1.551 (39.4) | .500 (12.7) | .750 (19.1) | 12 |
| 20 | 24 | 1.188 (30.2) | 2.218 (56.3) | 1.375 (34.9) | 2.113 (53.7) | .875 (22.2) | 1.144 (29.1) | 20 |
| 21 | 28 | 1.312 (33.3) | 2.625 (66.7) | 1.156 (33.7) | 1.770 (45.0) | .625 (15.9) | .937 (23.8) | 16 |

Continued on Page B-44

- APPLICATION NOTES**

 - For complete dimensions see the applicable Military Specification.
 - When maximum cable entry is exceeded, Style 2 will be supplied.
 - Metric dimensions (mm) are in parentheses.
 - Cable Range is defined as the accommodation range for the wire bundle or cable. Dimensions shown are not intended for inspection criteria.

Dimensions in inches (millimeters) and are subject to change without notice.



AS85049/23 and MS3189C 45° EMI/RFI Non-Environmental Backshell

TABLE II: Continued from Page B-43

| Dash No. | Shell Size | F Max | G Max | K Ref. | L Max | Cable Range | | M85049/42 Ref. |
|----------|------------|--------------|--------------|--------------|--------------|--------------|--------------|----------------|
| | | | | | | Min | Max | |
| 22 | 28 | 1.312 (33.3) | 2.281 (57.9) | 1.500 (38.1) | 2.363 (60.0) | 1.000 (25.4) | 1.375 (34.9) | 24 |
| 23 | 32 | 1.375 (34.9) | 2.725 (69.2) | 1.156 (29.4) | 1.770 (45.0) | .625 (15.9) | .937 (23.8) | 16 |
| 24 | 32 | 1.375 (34.9) | 2.725 (69.2) | 1.375 (34.9) | 2.113 (53.7) | .875 (22.2) | 1.250 (31.8) | 20 |
| 25 | 32 | 1.375 (34.9) | 2.500 (63.5) | 1.781 (45.2) | 2.770 (70.4) | 1.250 (31.8) | 1.625 (41.3) | 28 |
| 26 | 36 | 1.406 (35.7) | 2.815 (71.5) | 1.156 (29.4) | 1.770 (45.0) | .625 (15.9) | .937 (23.8) | 16 |
| 27 | 36 | 1.406 (35.7) | 2.815 (71.5) | 1.500 (38.1) | 2.363 (60.0) | 1.000 (25.4) | 1.375 (34.9) | 24 |
| 28 | 36 | 1.406 (35.7) | 2.469 (62.7) | 1.830 (46.5) | 3.020 (76.7) | 1.437 (36.5) | 1.840 (46.7) | 32 |
| 29 | 40 | 2.156 (54.8) | 2.815 (71.5) | 1.156 (29.4) | 1.770 (45.0) | .625 (15.9) | .937 (23.8) | 16 |
| 30 | 40 | 2.156 (54.8) | 2.815 (71.5) | 1.500 (38.1) | 2.363 (60.0) | 1.000 (25.4) | 1.375 (34.9) | 24 |
| 31 | 40 | 2.156 (54.8) | 2.469 (62.7) | 1.830 (46.5) | 3.020 (76.7) | 1.437 (36.5) | 1.875 (47.6) | 32 |
| 32 | 44 | 2.156 (54.8) | 2.815 (71.5) | 1.156 (29.4) | 1.770 (45.0) | .625 (15.9) | .937 (23.8) | 16 |
| 33 | 44 | 2.156 (54.8) | 2.815 (71.5) | 1.500 (38.1) | 2.363 (60.0) | 1.000 (25.4) | 1.375 (34.9) | 24 |
| 34 | 44 | 2.156 (54.8) | 2.469 (62.7) | 1.830 (46.5) | 3.020 (76.7) | 1.437 (36.5) | 1.875 (47.6) | 32 |
| 35 | 48 | 2.156 (54.8) | 2.815 (71.5) | 1.156 (29.4) | 1.770 (45.0) | .625 (15.9) | .937 (23.8) | 16 |
| 36 | 48 | 2.156 (54.8) | 2.815 (71.5) | 1.500 (38.1) | 2.363 (60.0) | 1.000 (25.4) | 1.375 (34.9) | 24 |
| 37 | 48 | 2.156 (54.8) | 2.469 (62.7) | 1.830 (46.5) | 3.020 (76.7) | 1.437 (36.5) | 1.875 (47.6) | 32 |
| 38 | 61 | 1.188 (30.2) | 2.575 (65.4) | 1.059 (26.9) | 1.551 (39.4) | .500 (12.7) | .750 (19.1) | 12 |
| 39 | 61 | 1.188 (30.2) | 2.218 (56.3) | 1.375 (34.9) | 2.113 (53.7) | .875 (22.2) | 1.184 (30.1) | 20 |
| 40 | 16 | .906 (23.0) | 2.235 (56.8) | 1.027 (26.1) | 1.332 (33.8) | .350 (8.9) | .625 (15.9) | 10 |
| 41 | 18 | 1.093 (27.8) | 2.425 (61.6) | 1.027 (26.1) | .957 (24.3) | .125 (3.2) | .312 (7.9) | 4 |
| 42 | 18 | 1.093 (27.8) | 2.425 (61.6) | 1.027 (26.1) | 1.145 (29.1) | .250 (6.4) | .437 (11.1) | 6 |
| 43 | 20 | 1.093 (27.8) | 2.425 (61.6) | 1.027 (26.1) | 1.145 (29.1) | .250 (6.4) | .437 (11.1) | 6 |
| 44 | 22 | 1.188 (30.2) | 2.575 (65.4) | 1.027 (26.1) | .957 (24.3) | .125 (3.2) | .312 (7.9) | 4 |
| 45 | 22 | 1.188 (30.2) | 2.575 (65.4) | 1.027 (26.1) | 1.145 (29.1) | .250 (6.4) | .437 (11.1) | 6 |
| 46 | 24 | 1.188 (30.2) | 2.575 (65.4) | 1.027 (26.1) | 1.332 (33.8) | .350 (8.9) | .625 (15.9) | 10 |
| 47 | 36 | 1.406 (35.7) | 2.815 (71.5) | 1.059 (26.9) | 1.551 (39.4) | .500 (12.7) | .750 (19.1) | 12 |
| 48 | 40 | 2.156 (54.8) | 2.815 (71.5) | 1.059 (26.9) | 1.551 (39.4) | .500 (12.7) | .750 (19.1) | 12 |
| 49* | 10 | 1.500 (38.1) | 2.035 (51.7) | 1.027 (26.1) | 1.145 (29.1) | .250 (6.4) | .437 (11.1) | 6 |
| 50* | 14 | 1.842 (46.8) | 2.425 (61.6) | 1.059 (26.9) | 1.551 (39.4) | .500 (12.7) | .750 (19.1) | 12 |
| 51* | 16 | 1.938 (49.2) | 2.575 (65.4) | 1.156 (29.4) | 1.770 (45.0) | .625 (15.9) | .937 (23.8) | 16 |
| 52 | 18 | 1.093 (27.8) | 2.425 (61.6) | 1.059 (26.9) | 1.551 (39.4) | .500 (12.7) | .750 (19.1) | 12 |
| 53 | 61 | 1.188 (30.2) | 2.575 (65.4) | 1.156 (29.4) | 1.770 (45.0) | .625 (15.9) | .937 (23.8) | 16 |
| 54 | 20 | 1.093 (27.8) | 2.425 (61.6) | 1.059 (26.9) | 1.551 (39.4) | .500 (12.7) | .750 (19.1) | 12 |
| 55* | 20 | 2.061 (52.3) | 2.625 (66.7) | 1.375 (34.9) | 2.113 (53.7) | .875 (22.2) | 1.250 (31.8) | 20 |
| 56 | 22 | 1.188 (30.2) | 2.575 (65.4) | 1.027 (26.1) | 1.332 (33.8) | .350 (8.9) | .625 (15.9) | 10 |
| 57 | 22 | 1.188 (30.2) | 2.575 (65.4) | 1.156 (29.4) | 1.770 (45.0) | .625 (15.9) | .937 (23.8) | 16 |
| 58* | 22 | 2.061 (52.3) | 2.625 (66.7) | 1.375 (34.9) | 2.113 (53.7) | .875 (22.2) | 1.250 (31.8) | 20 |
| 59 | 24 | 1.188 (30.2) | 2.575 (65.4) | 1.156 (29.4) | 1.770 (45.0) | .625 (15.9) | .937 (23.8) | 16 |
| 60 | 28 | 1.312 (33.3) | 2.625 (66.7) | 1.059 (26.9) | 1.551 (39.4) | .500 (12.7) | .750 (19.1) | 12 |
| 61 | 28 | 1.312 (33.3) | 2.625 (66.7) | 1.375 (34.9) | 2.113 (53.7) | .875 (22.2) | 1.250 (31.8) | 20 |
| 62 | 32 | 1.375 (34.9) | 2.725 (69.2) | 1.500 (38.1) | 2.363 (60.0) | 1.000 (25.4) | 1.375 (34.9) | 24 |
| 63 | 36 | 1.406 (35.7) | 2.815 (71.5) | 1.375 (34.9) | 2.113 (53.7) | .875 (22.2) | 1.250 (31.8) | 20 |
| 64 | 36 | 1.406 (35.7) | 2.815 (71.5) | 1.781 (45.2) | 2.770 (70.4) | 1.250 (31.8) | 1.625 (41.3) | 28 |
| 65 | 40 | 2.156 (54.8) | 2.815 (71.5) | 1.375 (34.9) | 2.113 (53.7) | .875 (22.2) | 1.250 (31.8) | 20 |
| 66 | 40 | 2.156 (54.8) | 2.815 (71.5) | 1.781 (45.2) | 2.770 (70.4) | 1.250 (31.8) | 1.625 (41.3) | 28 |
| 67 | 44 | 2.156 (54.8) | 2.815 (71.5) | 1.375 (34.9) | 2.113 (53.7) | .875 (22.2) | 1.250 (31.8) | 20 |
| 68 | 44 | 2.156 (54.8) | 2.815 (71.5) | 1.781 (45.2) | 2.770 (70.4) | 1.250 (31.8) | 1.625 (41.3) | 28 |
| 69 | 48 | 2.156 (54.8) | 2.815 (71.5) | 1.375 (34.9) | 2.113 (53.7) | .875 (22.2) | 1.250 (31.8) | 20 |
| 70 | 48 | 2.156 (54.8) | 2.815 (71.5) | 1.781 (45.2) | 2.770 (70.4) | 1.250 (31.8) | 1.625 (41.3) | 28 |
| 71* | 12 | 1.684 (42.8) | 2.236 (56.8) | 1.027 (26.1) | 1.332 (33.8) | .350 (8.9) | .625 (15.9) | 10 |
| 72* | 18 | 1.938 (49.2) | 2.575 (65.4) | 1.156 (29.4) | 1.770 (45.0) | .625 (15.9) | .937 (23.8) | 16 |
| 73* | 24 | 2.061 (52.3) | 2.625 (66.7) | 1.375 (34.9) | 2.113 (53.7) | .875 (22.2) | 1.250 (31.8) | 20 |
| 74 | 14 | .812 (20.6) | 2.125 (54.0) | 1.027 (26.1) | .957 (24.3) | .125 (3.2) | .312 (7.9) | 04 |
| 75 | 16 | .906 (23.0) | 2.235 (56.8) | 1.027 (26.1) | .957 (24.3) | .125 (3.2) | .312 (7.9) | 04 |

* Denotes Style 2

Dimensions in inches (millimeters) and are subject to change without notice.

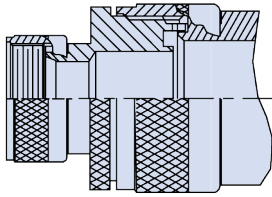
AS85049/24 and MS3188C 90° EMI/RFI Non-Environmental Backshell



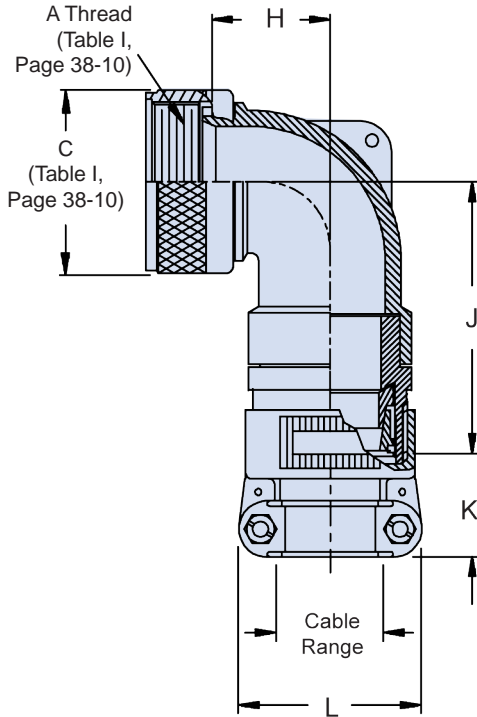
AS85049

B

| CONNECTOR DESIGNATOR: | |
|-----------------------|---|
| A | AS50151 Series AS34001 |
| | MIL-DTL-26482 Series II |
| | AS81703 Series III |
| | MIL-DTL-83723 Series I & III |
| | 40M39569, DEF 5326-3, EN 2997 |
| | EN 3646, ESC 10, ESC 11, LN 29504 |
| | NFC93422 Series HE302 PAN 6432-1, PAN 6432-2, PATT 602 |



STYLE 2



Basic Part Number Dash Number (Table II)

M85049/24 - 21 N

Finish / Material
B = Black Cadmium / Stainless Steel
N = Electroless Nickel / Aluminum
S = Passivated / Stainless Steel
W = 1,000 Hr. Cadmium Olive Drab over Electroless Nickel / Aluminum
X = Aluminum, Nickel Fluorocarbon Polymer
Z = Aluminum, Zinc-Nickel, Black
XS = Stainless Steel, Nickel Fluorocarbon Polymer
ZS = Stainless Steel, Zinc-Nickel, Black

Superseded Part Number

MS3188C 21 N

| | |
|----------------|----------|
| Basic Part No. | Dash No. |
|----------------|----------|

Finish (Material is Aluminum Only)

A = Cadmium Olive Drab over Nickel
C = Cadmium Olive Drab
N = Electroless Nickel

| TABLE II: Dash Number, Cable Range and Dimensions | | | | | | | | |
|---|------------|--------------|--------------|--------------|--------------|-------------|--------------|----------------|
| Dash No. | Shell Size | H Max | J Max | K Ref. | L Max | Cable Range | | M85049/42 Ref. |
| | | | | | | Min | Max | |
| 1 | 03 | .698 (17.7) | 1.862 (47.3) | 1.027 (26.1) | .957 (24.3) | .125 (3.2) | .250 (6.4) | 04 |
| 2 | 03 | 1.448 (36.8) | 1.382 (35.1) | 1.027 (26.1) | 1.145 (29.1) | .250 (6.4) | .437 (11.1) | 04 |
| 3 | 08 | .603 (15.3) | 1.262 (32.1) | 1.027 (26.1) | .957 (24.3) | .125 (3.2) | .250 (6.4) | 04 |
| 4 | 10 | .698 (17.7) | 1.982 (50.3) | 1.027 (26.1) | .957 (24.3) | .125 (3.2) | .312 (7.9) | 04 |
| 5 | 10 | .698 (17.7) | 1.382 (35.1) | 1.027 (26.1) | 1.145 (29.1) | .250 (6.4) | .375 (9.5) | 06 |
| 6 | 12 | .703 (17.9) | 2.002 (50.9) | 1.027 (26.1) | .957 (24.3) | .125 (3.2) | .312 (7.9) | 04 |
| 7 | 12 | .703 (17.9) | 2.002 (50.9) | 1.027 (26.1) | 1.145 (29.1) | .250 (6.4) | .437 (11.1) | 06 |
| 8 | 12 | .703 (17.9) | 1.397 (35.5) | 1.027 (26.1) | 1.332 (33.8) | .350 (8.9) | .500 (12.7) | 10 |
| 9 | 14 | .803 (20.4) | 2.072 (52.6) | 1.027 (26.1) | 1.145 (29.1) | .250 (6.4) | .437 (11.1) | 06 |
| 10 | 14 | .803 (20.4) | 1.717 (43.6) | 1.027 (26.1) | 1.332 (33.8) | .350 (8.9) | .575 (14.6) | 10 |
| 11 | 16 | .988 (25.1) | 2.162 (54.9) | 1.027 (26.1) | 1.145 (29.1) | .250 (6.4) | .437 (11.1) | 06 |
| 12 | 16 | .988 (25.1) | 1.807 (45.9) | 1.059 (26.9) | 1.551 (39.4) | .500 (12.7) | .700 (17.8) | 12 |
| 13 | 18 | 1.078 (27.4) | 2.332 (59.2) | 1.027 (26.1) | 1.332 (33.8) | .350 (8.9) | .625 (15.9) | 10 |
| 14 | 18 | 1.078 (27.4) | 1.982 (50.3) | 1.156 (29.4) | 1.770 (45.0) | .625 (15.9) | .779 (19.8) | 16 |
| 15 | 20 | 1.078 (27.4) | 2.332 (59.2) | 1.027 (26.1) | 1.332 (33.8) | .350 (8.9) | .625 (15.9) | 10 |
| 16 | 20 | 1.079 (27.4) | 1.982 (50.3) | 1.156 (29.4) | 1.770 (45.0) | .625 (15.9) | .904 (23.0) | 16 |
| 17 | 22 | 1.228 (31.2) | 2.442 (62.0) | 1.059 (26.9) | 1.551 (39.4) | .500 (12.7) | .750 (19.1) | 12 |
| 18 | 22 | 1.228 (31.2) | 2.087 (53.0) | 1.375 (34.9) | 2.113 (53.7) | .875 (22.2) | 1.029 (26.1) | 20 |
| 19 | 24 | 1.228 (31.2) | 2.442 (62.0) | 1.059 (26.9) | 1.551 (39.4) | .500 (12.7) | .750 (19.1) | 12 |
| 20 | 24 | 1.228 (31.2) | 2.087 (53.0) | 1.375 (34.9) | 2.113 (53.7) | .875 (22.2) | 1.144 (29.1) | 20 |
| 21 | 28 | 1.328 (33.7) | 2.612 (66.3) | 1.156 (33.7) | 1.770 (45.0) | .625 (15.9) | .937 (23.8) | 16 |

Continued on Page B-46 • Refer to the Mil-Spec for Complete Dimensions

Dimensions in inches (millimeters) and are subject to change without notice.

© 2013 Glenair, Inc.

U.S. CAGE Code 06324

Printed in U.S.A.



AS85049/24 and MS3188C 90° EMI/RFI Non-Environmental Backshell

TABLE II: Continued from Page B-45 • Refer to the Mil-DSpec for Complete Dimensions

| Dash No. | Shell Size | H Max | K Max | K Ref. | L Max | Cable Range | | M85049/42 Ref. |
|----------|------------|--------------|--------------|--------------|--------------|--------------|--------------|----------------|
| | | | | | | Min | Max | |
| 22 | 28 | 1.328 (33.7) | 2.257 (57.3) | 1.500 (38.1) | 2.363 (60.0) | 1.000 (25.4) | 1.375 (34.9) | 24 |
| 23 | 32 | 1.678 (42.6) | 2.862 (72.7) | 1.156 (29.4) | 1.770 (45.0) | .625 (15.9) | .937 (23.8) | 16 |
| 24 | 32 | 1.678 (42.6) | 2.862 (72.7) | 1.375 (34.9) | 2.113 (53.7) | .875 (22.2) | 1.250 (31.8) | 20 |
| 25 | 32 | 1.678 (42.6) | 2.507 (63.7) | 1.781 (45.2) | 2.770 (70.4) | 1.250 (31.8) | 1.625 (41.3) | 28 |
| 26 | 36 | 1.878 (47.7) | 2.832 (71.9) | 1.156 (29.4) | 1.770 (45.0) | .625 (15.9) | .937 (23.8) | 16 |
| 27 | 36 | 1.878 (47.7) | 2.832 (71.9) | 1.500 (38.1) | 2.363 (60.0) | 1.000 (25.4) | 1.375 (34.9) | 24 |
| 28 | 36 | 1.878 (47.7) | 2.477 (62.9) | 1.830 (46.5) | 3.020 (76.7) | 1.437 (36.5) | 1.840 (46.7) | 32 |
| 29 | 40 | 2.628 (66.8) | 2.832 (71.9) | 1.156 (29.4) | 1.770 (45.0) | .625 (15.9) | .937 (23.8) | 16 |
| 30 | 40 | 2.628 (66.8) | 2.832 (71.9) | 1.500 (38.1) | 2.363 (60.0) | 1.000 (25.4) | 1.375 (34.9) | 24 |
| 31 | 40 | 2.628 (66.8) | 2.477 (62.9) | 1.830 (46.5) | 3.020 (76.7) | 1.437 (36.5) | 1.875 (47.6) | 32 |
| 32 | 44 | 2.628 (66.8) | 2.832 (71.9) | 1.156 (29.4) | 1.770 (45.0) | .625 (15.9) | .937 (23.8) | 16 |
| 33 | 44 | 2.628 (66.8) | 2.832 (71.9) | 1.500 (38.1) | 2.363 (60.0) | 1.000 (25.4) | 1.375 (34.9) | 24 |
| 34 | 44 | 2.628 (66.8) | 2.477 (62.9) | 1.830 (46.5) | 3.020 (76.7) | 1.437 (36.5) | 1.875 (47.6) | 32 |
| 35 | 48 | 2.628 (66.8) | 2.832 (71.9) | 1.156 (29.4) | 1.770 (45.0) | .625 (15.9) | .937 (23.8) | 16 |
| 36 | 48 | 2.628 (66.8) | 2.832 (71.9) | 1.500 (38.1) | 2.363 (60.0) | 1.000 (25.4) | 1.375 (34.9) | 24 |
| 37 | 48 | 2.628 (66.8) | 2.477 (62.9) | 1.830 (46.5) | 3.020 (76.7) | 1.437 (36.5) | 1.875 (47.6) | 32 |
| 38 | 61 | 1.228 (31.2) | 2.442 (62.0) | 1.059 (26.9) | 1.551 (39.4) | .500 (12.7) | .750 (19.1) | 12 |
| 39 | 61 | 1.228 (31.2) | 2.087 (53.0) | 1.375 (34.9) | 2.113 (53.7) | .875 (22.2) | 1.184 (30.1) | 20 |
| 40 | 16 | .988 (25.1) | 2.162 (54.9) | 1.027 (26.1) | 1.332 (33.8) | .350 (8.9) | .625 (15.9) | 10 |
| 41 | 18 | 1.078 (27.4) | 2.332 (59.2) | 1.027 (26.1) | .957 (24.3) | .125 (3.2) | .312 (7.9) | 04 |
| 42 | 18 | 1.078 (27.4) | 2.332 (59.2) | 1.027 (26.1) | 1.145 (29.1) | .250 (6.4) | .437 (11.1) | 06 |
| 43 | 20 | 1.078 (27.4) | 2.332 (59.2) | 1.027 (26.1) | 1.145 (29.1) | .250 (6.4) | .437 (11.1) | 06 |
| 44 | 22 | 1.228 (31.2) | 2.442 (62.0) | 1.027 (26.1) | .957 (24.3) | .125 (3.2) | .312 (7.9) | 04 |
| 45 | 22 | 1.228 (31.2) | 2.442 (62.0) | 1.027 (26.1) | 1.145 (29.1) | .250 (6.4) | .437 (11.1) | 06 |
| 46 | 24 | 1.228 (31.2) | 2.442 (62.0) | 1.027 (26.1) | 1.332 (33.8) | .350 (8.9) | .625 (15.9) | 10 |
| 47 | 36 | 1.878 (47.7) | 2.832 (71.9) | 1.059 (26.9) | 1.551 (39.4) | .500 (12.7) | .750 (19.1) | 12 |
| 48 | 40 | 1.878 (47.7) | 2.832 (71.9) | 1.059 (26.9) | 1.551 (39.4) | .500 (12.7) | .750 (19.1) | 12 |
| 49* | 10 | 1.453 (36.9) | 2.002 (50.9) | 1.027 (26.1) | 1.145 (29.1) | .250 (6.4) | .437 (11.1) | 06 |
| 50* | 14 | 1.828 (46.4) | 2.334 (59.3) | 1.059 (26.9) | 1.551 (39.4) | .500 (12.7) | .750 (19.1) | 12 |
| 51* | 16 | 1.978 (50.2) | 2.442 (62.0) | 1.156 (29.4) | 1.770 (45.0) | .625 (15.9) | .937 (23.8) | 16 |
| 52 | 18 | 1.078 (27.4) | 2.332 (59.2) | 1.059 (26.9) | 1.551 (39.4) | .500 (12.7) | .750 (19.1) | 12 |
| 53 | 61 | 1.228 (31.2) | 2.087 (53.0) | 1.156 (29.4) | 1.770 (45.0) | .625 (15.9) | .937 (23.8) | 16 |
| 54 | 20 | 1.078 (27.4) | 2.332 (59.2) | 1.059 (26.9) | 1.551 (39.4) | .500 (12.7) | .750 (19.1) | 12 |
| 55* | 20 | 2.078 (52.8) | 2.612 (66.3) | 1.375 (34.9) | 2.113 (53.7) | .875 (22.2) | 1.250 (31.8) | 20 |
| 56 | 22 | 1.228 (31.2) | 2.442 (62.0) | 1.027 (26.1) | 1.332 (33.8) | .350 (8.9) | .625 (15.9) | 10 |
| 57 | 22 | 1.228 (31.2) | 2.442 (62.0) | 1.156 (29.4) | 1.770 (45.0) | .625 (15.9) | .937 (23.8) | 16 |
| 58* | 22 | 2.078 (52.8) | 2.612 (66.3) | 1.375 (34.9) | 2.113 (53.7) | .875 (22.2) | 1.250 (31.8) | 20 |
| 59 | 24 | 1.228 (31.2) | 2.442 (62.0) | 1.156 (29.4) | 1.770 (45.0) | .625 (15.9) | .937 (23.8) | 16 |
| 60 | 28 | 1.328 (33.7) | 2.612 (66.3) | 1.059 (26.9) | 1.551 (39.4) | .500 (12.7) | .750 (19.1) | 12 |
| 61 | 28 | 1.328 (33.7) | 2.612 (66.3) | 1.375 (34.9) | 2.113 (53.7) | .875 (22.2) | 1.250 (31.8) | 20 |
| 62 | 32 | 1.678 (42.6) | 2.862 (72.7) | 1.500 (38.1) | 2.363 (60.0) | 1.000 (25.4) | 1.375 (34.9) | 24 |
| 63 | 36 | 1.878 (47.7) | 2.832 (71.9) | 1.375 (34.9) | 2.113 (53.7) | .875 (22.2) | 1.250 (31.8) | 20 |
| 64 | 36 | 1.878 (47.7) | 2.832 (71.9) | 1.781 (45.2) | 2.770 (70.4) | 1.250 (31.8) | 1.625 (41.3) | 28 |
| 65 | 40 | 2.628 (66.8) | 2.832 (71.9) | 1.375 (34.9) | 2.113 (53.7) | .875 (22.2) | 1.250 (31.8) | 20 |
| 66 | 40 | 2.628 (66.8) | 2.832 (71.9) | 1.375 (34.9) | 2.113 (53.7) | .875 (22.2) | 1.250 (31.8) | 28 |
| 67 | 44 | 2.628 (66.8) | 2.832 (71.9) | 1.375 (34.9) | 2.113 (53.7) | .875 (22.2) | 1.250 (31.8) | 20 |
| 68 | 44 | 2.628 (66.8) | 2.832 (71.9) | 1.781 (45.2) | 2.770 (70.4) | 1.250 (31.8) | 1.625 (41.3) | 28 |
| 69 | 48 | 2.628 (66.8) | 2.832 (71.9) | 1.375 (34.9) | 2.113 (53.7) | .875 (22.2) | 1.250 (31.8) | 20 |
| 70 | 48 | 2.628 (66.8) | 2.832 (71.9) | 1.781 (45.2) | 2.770 (70.4) | 1.250 (31.8) | 1.625 (41.3) | 28 |
| 71* | 12 | 1.748 (44.4) | 2.162 (54.9) | 1.027 (26.1) | 1.332 (33.8) | .350 (8.9) | .625 (15.9) | 10 |
| 72* | 18 | 1.988 (50.5) | 2.442 (62.0) | 1.156 (29.4) | 1.770 (45.0) | .625 (15.9) | .937 (23.8) | 16 |
| 73* | 24 | 2.088 (53.0) | 2.612 (66.3) | 1.375 (34.9) | 2.116 (53.7) | .875 (22.2) | 1.250 (31.8) | 20 |
| 74 | 14 | .803 (20.4) | 2.072 (52.6) | 1.027 (26.1) | .957 (24.3) | .125 (3.2) | .312 (7.9) | 04 |
| 75 | 16 | .988 (25.1) | 2.162 (54.9) | 1.027 (26.1) | .957 (24.3) | .125 (3.2) | .312 (7.9) | 04 |

Dimensions in inches (millimeters) and are subject to change without notice.

AS85049/25 and MS3437C Straight EMI/RFI Non-Environmental Backshell



AS85049

B

| CONNECTOR DESIGNATOR: | |
|-----------------------|---|
| A | AS50151 Series AS34001 |
| | MIL-DTL-26482 Series II |
| | AS81703 Series III |
| | MIL-DTL-83723 Series I & III |
| | 40M39569, DEF 5326-3, EN 2997 |
| | EN 3646, ESC 10, ESC 11, LN 29504 |
| | NFC93422 Series HE302 PAN 6432-1, PAN 6432-2, PATT 602 |

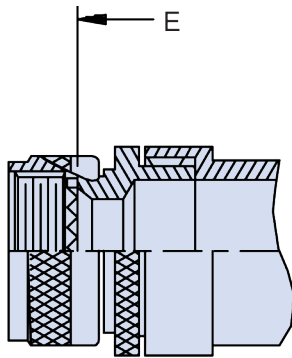
Basic Part Number Dash Number
(Table II)

M85049/25 - 21 N

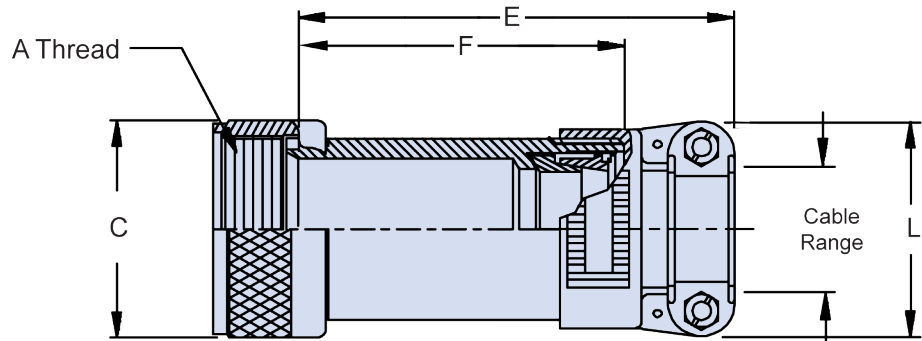
| Superseded Part Number | |
|--|----------|
| MS3188C 21 N | |
| Basic Part No. | Dash No. |
| Finish (Material is Aluminum Only) A = Cadmium Olive Drab over Nickel C = Cadmium Olive Drab N = Electroless Nickel | |

Finish / Material

B = Black Cadmium / Stainless Steel
N = Electroless Nickel / Aluminum
S = Passivated / Stainless Steel
W = 1,000 Hr. Cadmium Olive Drab over Electroless Nickel / Aluminum
X = Aluminum, Nickel Fluorocarbon Polymer
Z = Aluminum, Zinc-Nickel, Black
XS = Stainless Steel, Nickel Fluorocarbon Polymer
ZS = Stainless Steel, Zinc-Nickel, Black



STYLE 2



STYLE 1

APPLICATION NOTES

1. For complete dimensions see the applicable Military Specification.
2. When maximum cable entry is exceeded, Style 2 will be supplied.
3. Metric dimensions (mm) are in parentheses.
4. Cable Range is defined as the accommodation range for the wire bundle or cable. Dimensions shown are not intended for inspection criteria.

Dimensions in inches (millimeters) and are subject to change without notice.

© 2013 Glenair, Inc.

U.S. CAGE Code 06324

Printed in U.S.A.



AS85049/25 and MS3437C Straight EMI/RFI Non-Environmental Backshell

TABLE I: Shell Size

| Dash No. | A Thread Class 2B | C Dia Ref |
|----------|-------------------|-------------|
| 03 | .562 - 24 UNEF | .77 (19.6) |
| 08 | .500 - 20 UNF | .65 (16.5) |
| 10 | .625 - 24 UNEF | .77 (19.6) |
| 12 | .750 - 20 UNEF | .40 (10.2) |
| 14 | .875 - 20 UNEF | 1.02 (25.9) |
| 16 | 1.000 - 20 UNEF | 1.21 (30.7) |
| 18 | 1.062 - 18 UNEF | 1.23 (31.2) |
| 20 | 1.188 - 18 UNEF | 1.36 (34.5) |
| 22 | 1.313 - 18 UNEF | 1.48 (37.6) |
| 24 | 1.438 - 18 UNEF | 1.73 (43.9) |
| 28 | 1.750 - 18 UNS | 1.97 (50.0) |
| 32 | 2.000 - 18 UNS | 2.22 (56.4) |
| 36 | 2.250 - 16 UN | 2.47 (62.7) |
| 40 | 2.500 - 16 UN | 2.72 (69.1) |
| 44 | 2.750 - 16 UN | 2.97 (75.4) |
| 48 | 3.000 - 16 UN | 3.22 (81.8) |
| 61 | 1.500 - 18 UNEF | 1.67 (42.4) |

Refer to the
Mil-Spec
for
Complete
Dimensions

TABLE II: Dash Number, Dimensions and Cable Range

| Dash No. | Shell Size | Style | E Max | F Ref. | L Max | Cable Range | | M85049/42 Ref. |
|----------|------------|-------|---------------|--------------|--------------|-------------|--------------|----------------|
| | | | | | | Min | Max | |
| 01 | 03 | 1 | 2.062 (52.4) | 1.027 (26.1) | .957 (24.3) | .125 (3.2) | .250 (6.4) | 4 |
| 02 | 03 | 1 | 3.063 (77.8) | 1.027 (26.1) | .957 (24.3) | .125 (3.2) | .250 (6.4) | 4 |
| 03 | 03 | 2 | 2.812 (71.4) | 1.027 (26.1) | 1.145 (29.1) | .250 (6.4) | .437 (11.1) | 6 |
| 04 | 03 | 2 | 3.812 (96.8) | 1.027 (26.1) | 1.145 (29.1) | .250 (6.4) | .437 (11.1) | 6 |
| 05 | 08 | 1 | 2.062 (52.4) | 1.027 (26.1) | .957 (24.3) | .125 (3.2) | .250 (6.4) | 4 |
| 06 | 08 | 1 | 3.062 (77.8) | 1.027 (26.1) | .957 (24.3) | .125 (3.2) | .250 (6.4) | 4 |
| 07 | 08 | 2 | 2.812 (71.4) | 1.027 (26.1) | 1.145 (29.1) | .250 (6.4) | .437 (11.1) | 6 |
| 08 | 08 | 2 | 3.812 (96.8) | 1.027 (26.1) | 1.145 (29.1) | .250 (6.4) | .437 (11.1) | 6 |
| 09 | 10 | 1 | 2.062 (52.4) | 1.027 (26.1) | .957 (24.3) | .125 (3.2) | .312 (7.9) | 4 |
| 10 | 10 | 1 | 3.062 (77.8) | 1.027 (26.1) | .957 (24.3) | .125 (3.2) | .312 (7.9) | 4 |
| 11 | 10 | 2 | 2.812 (71.4) | 1.027 (26.1) | 1.145 (29.1) | .250 (6.4) | .437 (11.1) | 6 |
| 12 | 10 | 2 | 3.812 (96.8) | 1.027 (26.1) | 1.145 (29.1) | .250 (6.4) | .437 (11.1) | 6 |
| 13 | 12 | 1 | 2.062 (52.4) | 1.027 (26.1) | 1.145 (29.1) | .250 (6.4) | .437 (11.1) | 6 |
| 14 | 12 | 1 | 3.062 (77.8) | 1.027 (26.1) | 1.145 (29.1) | .250 (6.4) | .437 (11.1) | 6 |
| 15 | 12 | 2 | 2.812 (71.4) | 1.027 (26.1) | 1.332 (33.8) | .350 (8.9) | .625 (15.9) | 10 |
| 16 | 12 | 2 | 3.812 (96.8) | 1.027 (26.1) | 1.332 (33.8) | .350 (8.9) | .625 (15.9) | 10 |
| 17 | 14 | 1 | 2.062 (52.4) | 1.027 (26.1) | 1.332 (33.8) | .350 (8.9) | .575 (14.6) | 10 |
| 18 | 14 | 1 | 3.062 (77.8) | 1.027 (26.1) | 1.332 (33.8) | .350 (8.9) | .575 (14.6) | 10 |
| 19 | 14 | 2 | 2.812 (71.4) | 1.059 (26.9) | 1.551 (39.4) | .500 (12.7) | .750 (19.1) | 12 |
| 20 | 14 | 2 | 3.812 (96.8) | 1.059 (26.9) | 1.551 (39.4) | .500 (12.7) | .750 (19.1) | 12 |
| 21 | 16 | 1 | 2.062 (52.4) | 1.059 (26.9) | 1.551 (39.4) | .500 (12.7) | .700 (17.8) | 12 |
| 22 | 16 | 1 | 3.062 (77.8) | 1.059 (26.9) | 1.551 (39.4) | .500 (12.7) | .700 (17.8) | 12 |
| 23 | 16 | 2 | 2.812 (71.4) | 1.156 (29.4) | 1.770 (45.0) | .625 (15.9) | .937 (23.8) | 16 |
| 24 | 16 | 2 | 3.812 (96.8) | 1.156 (29.4) | 1.770 (45.0) | .625 (15.9) | .937 (23.8) | 16 |
| 25 | 18 | 1 | 2.062 (52.4) | 1.027 (26.1) | 1.332 (33.8) | .350 (8.9) | .625 (15.9) | 10 |
| 26 | 18 | 1 | 3.062 (77.8) | 1.027 (26.1) | 1.332 (33.8) | .350 (8.9) | .625 (15.9) | 10 |
| 27 | 18 | 1 | 2.062 (52.4) | 1.059 (26.9) | 1.551 (39.4) | .500 (12.7) | .750 (19.1) | 12 |
| 28 | 18 | 1 | 3.062 (77.8) | 1.059 (26.9) | 1.551 (39.4) | .500 (12.7) | .750 (19.1) | 12 |
| 29 | 18 | 2 | 2.812 (71.4) | 1.156 (29.4) | 1.770 (45.0) | .625 (15.9) | .937 (23.8) | 16 |
| 30 | 18 | 2 | 3.812 (96.8) | 1.156 (29.4) | 1.770 (45.0) | .625 (15.9) | .937 (23.8) | 16 |
| 31 | 20 | 1 | 3.062 (77.8) | 1.027 (26.1) | 1.332 (33.8) | .350 (8.9) | .625 (15.9) | 10 |
| 32 | 20 | 1 | 4.062 (103.2) | 1.027 (26.1) | 1.332 (33.8) | .350 (8.9) | .625 (15.9) | 10 |
| 33 | 20 | 1 | 3.062 (77.8) | 1.059 (26.9) | 1.551 (39.4) | .500 (12.7) | .750 (19.1) | 12 |
| 34 | 20 | 1 | 4.062 (103.2) | 1.059 (26.9) | 1.551 (39.4) | .500 (12.7) | .750 (19.1) | 12 |
| 35 | 20 | 2 | 3.812 (96.8) | 1.156 (29.4) | 1.770 (45.0) | .625 (15.9) | .937 (23.8) | 16 |
| 36 | 20 | 2 | 4.812 (122.2) | 1.156 (29.4) | 1.770 (45.0) | .625 (15.9) | .937 (23.8) | 16 |
| 37 | 20 | 2 | 3.812 (96.8) | 1.375 (34.9) | 2.113 (53.7) | .875 (22.2) | 1.250 (31.8) | 20 |
| 38 | 20 | 2 | 4.812 (122.2) | 1.375 (34.9) | 2.113 (53.7) | .875 (22.2) | 1.250 (31.8) | 20 |
| 39 | 22 | 1 | 3.062 (77.8) | 1.027 (26.1) | 1.332 (33.8) | .350 (8.9) | .625 (15.9) | 10 |
| 40 | 22 | 1 | 4.062 (103.2) | 1.027 (26.1) | 1.332 (33.8) | .350 (8.9) | .625 (15.9) | 10 |
| 41 | 22 | 1 | 3.062 (77.8) | 1.059 (26.9) | 1.551 (39.4) | .500 (12.7) | .750 (19.1) | 12 |
| 42 | 22 | 1 | 4.062 (103.2) | 1.059 (26.9) | 1.551 (39.4) | .500 (12.7) | .750 (19.1) | 12 |
| 43 | 22 | 1 | 3.062 (77.8) | 1.156 (29.4) | 1.770 (45.0) | .625 (15.9) | .937 (23.8) | 16 |
| 44 | 22 | 1 | 4.062 (103.2) | 1.156 (29.4) | 1.770 (45.0) | .625 (15.9) | .937 (23.8) | 16 |
| 45 | 22 | 2 | 3.812 (96.8) | 1.375 (34.9) | 2.113 (53.7) | .875 (22.2) | 1.250 (31.8) | 20 |
| 46 | 22 | 2 | 4.812 (122.2) | 1.375 (34.9) | 2.113 (53.7) | .875 (22.2) | 1.250 (31.8) | 20 |
| 47 | 24 | 1 | 3.062 (77.8) | 1.059 (26.9) | 1.551 (39.4) | .500 (12.7) | .750 (19.1) | 12 |
| 48 | 24 | 1 | 4.062 (103.2) | 1.059 (26.9) | 1.551 (39.4) | .500 (12.7) | .750 (19.1) | 12 |
| 49 | 24 | 1 | 3.062 (77.8) | 1.156 (29.4) | 1.770 (45.0) | .625 (15.9) | .812 (20.6) | 16 |
| 50 | 24 | 1 | 4.062 (103.2) | 1.156 (29.4) | 1.770 (45.0) | .625 (15.9) | .812 (20.6) | 16 |
| 51 | 24 | 1 | 3.062 (77.8) | 1.156 (29.4) | 1.770 (45.0) | .625 (15.9) | .937 (23.8) | 16 |
| 52 | 24 | 1 | 4.062 (103.2) | 1.156 (29.4) | 1.770 (45.0) | .625 (15.9) | .937 (23.8) | 16 |

Continued on Page B-49

Dimensions in inches (millimeters) and are subject to change without notice.

AS85049/25 and MS3437C Straight EMI/RFI Non-Environmental Backshell



AS85049

B

TABLE II: Continued from Page B-48

| Dash No. | Shell Size | Style | E Max | F Ref. | L Max | Cable Range | | M85049/42 Ref. |
|----------|------------|-------|---------------|--------------|--------------|--------------|--------------|----------------|
| | | | | | | Min | Max | |
| 53 | 24 | 2 | 3.812 (96.8) | 1.375 (34.9) | 2.113 (53.7) | .875 (22.2) | 1.250 (31.8) | 20 |
| 54 | 24 | 2 | 4.812 (122.2) | 1.375 (34.9) | 2.113 (53.7) | .875 (22.2) | 1.250 (31.8) | 20 |
| 55 | 28 | 1 | 3.062 (77.8) | 1.059 (26.9) | 1.551 (39.4) | .500 (12.7) | .750 (19.1) | 12 |
| 56 | 28 | 1 | 4.062 (103.2) | 1.059 (26.9) | 1.551 (39.4) | .500 (12.7) | .750 (19.1) | 12 |
| 57 | 28 | 1 | 3.062 (77.8) | 1.156 (29.4) | 1.770 (45.0) | .625 (15.9) | .937 (23.8) | 16 |
| 58 | 28 | 1 | 4.062 (103.2) | 1.156 (29.4) | 1.770 (45.0) | .625 (15.9) | .937 (23.8) | 16 |
| 59 | 28 | 1 | 3.062 (77.8) | 1.375 (34.9) | 2.113 (53.7) | .875 (22.2) | 1.250 (31.8) | 20 |
| 60 | 28 | 1 | 4.062 (103.2) | 1.375 (34.9) | 2.113 (53.7) | .875 (22.2) | 1.250 (31.8) | 20 |
| 61 | 28 | 1 | 3.062 (77.8) | 1.500 (38.1) | 2.363 (60.0) | 1.000 (25.4) | 1.375 (34.9) | 24 |
| 62 | 28 | 1 | 4.062 (103.2) | 1.500 (38.1) | 2.363 (60.0) | 1.000 (25.4) | 1.375 (34.9) | 24 |
| 63 | 32 | 1 | 3.062 (77.8) | 1.156 (29.4) | 1.770 (45.0) | .625 (15.9) | .937 (23.8) | 16 |
| 64 | 32 | 1 | 4.062 (103.2) | 1.156 (29.4) | 1.770 (45.0) | .625 (15.9) | .937 (23.8) | 16 |
| 65 | 32 | 1 | 3.062 (77.8) | 1.375 (34.9) | 2.113 (53.7) | .875 (22.2) | 1.250 (31.8) | 20 |
| 66 | 32 | 1 | 4.062 (103.2) | 1.375 (34.9) | 2.113 (53.7) | .875 (22.2) | 1.250 (31.8) | 20 |
| 67 | 32 | 1 | 3.062 (77.8) | 1.500 (38.1) | 2.363 (60.0) | 1.000 (25.4) | 1.375 (34.9) | 24 |
| 68 | 32 | 1 | 4.062 (103.2) | 1.500 (38.1) | 2.363 (60.0) | 1.000 (25.4) | 1.375 (34.9) | 24 |
| 69 | 32 | 1 | 3.062 (77.8) | 1.781 (45.2) | 2.770 (70.4) | 1.250 (31.8) | 1.625 (41.3) | 28 |
| 70 | 32 | 1 | 4.062 (103.2) | 1.781 (45.2) | 2.770 (70.4) | 1.250 (31.8) | 1.625 (41.3) | 28 |
| 71 | 36 | 1 | 4.062 (103.2) | 1.375 (34.9) | 2.113 (53.7) | .875 (22.2) | 1.250 (31.8) | 20 |
| 72 | 36 | 1 | 5.062 (128.6) | 1.375 (34.9) | 2.113 (53.7) | .875 (22.2) | 1.250 (31.8) | 20 |
| 73 | 36 | 1 | 4.062 (103.2) | 1.500 (38.1) | 2.363 (60.0) | 1.000 (25.4) | 1.375 (34.9) | 24 |
| 74 | 36 | 1 | 5.062 (128.6) | 1.500 (38.1) | 2.363 (60.0) | 1.000 (25.4) | 1.375 (34.9) | 24 |
| 75 | 36 | 1 | 4.062 (103.2) | 1.781 (45.2) | 2.770 (70.4) | 1.250 (31.8) | 1.625 (41.3) | 28 |
| 76 | 36 | 1 | 5.062 (128.6) | 1.781 (45.2) | 2.770 (70.4) | 1.250 (31.8) | 1.625 (41.3) | 28 |
| 77 | 36 | 2 | 4.942 (125.5) | 1.830 (46.5) | 3.020 (76.7) | 1.437 (36.5) | 1.875 (47.6) | 32 |
| 78 | 36 | 2 | 5.942 (150.9) | 1.830 (46.5) | 3.020 (76.7) | 1.437 (36.5) | 1.875 (47.6) | 32 |
| 79 | 40 | 1 | 4.062 (103.2) | 1.375 (34.9) | 2.113 (53.7) | .875 (22.2) | 1.250 (31.8) | 20 |
| 80 | 40 | 1 | 5.062 (128.6) | 1.375 (34.9) | 2.113 (53.7) | .875 (22.2) | 1.250 (31.8) | 20 |
| 81 | 40 | 1 | 4.062 (103.2) | 1.500 (38.1) | 2.363 (60.0) | 1.000 (25.4) | 1.375 (34.9) | 24 |
| 82 | 40 | 1 | 5.062 (128.6) | 1.500 (38.1) | 2.363 (60.0) | 1.000 (25.4) | 1.375 (34.9) | 24 |
| 83 | 40 | 1 | 4.062 (103.2) | 1.781 (45.2) | 2.770 (70.4) | 1.250 (31.8) | 1.625 (41.3) | 28 |
| 84 | 40 | 1 | 5.062 (128.6) | 1.781 (45.2) | 2.770 (70.4) | 1.250 (31.8) | 1.625 (41.3) | 28 |
| 85 | 40 | 1 | 4.062 (103.2) | 1.830 (46.5) | 3.020 (76.7) | 1.437 (36.5) | 1.875 (47.6) | 32 |
| 86 | 40 | 1 | 5.062 (128.6) | 1.830 (46.5) | 3.020 (76.7) | 1.437 (36.5) | 1.875 (47.6) | 32 |
| 87 | 44 | 1 | 4.062 (103.2) | 1.375 (34.9) | 2.113 (53.7) | .875 (22.2) | 1.250 (31.8) | 20 |
| 88 | 44 | 1 | 5.062 (128.6) | 1.375 (34.9) | 2.113 (53.7) | .875 (22.2) | 1.250 (31.8) | 20 |
| 89 | 44 | 1 | 4.062 (103.2) | 1.500 (38.1) | 2.363 (60.0) | 1.000 (25.4) | 1.375 (34.9) | 24 |
| 90 | 44 | 1 | 5.062 (128.6) | 1.500 (38.1) | 2.363 (60.0) | 1.000 (25.4) | 1.375 (34.9) | 24 |
| 91 | 44 | 1 | 4.062 (103.2) | 1.781 (45.2) | 2.770 (70.4) | 1.250 (31.8) | 1.625 (41.3) | 28 |
| 92 | 44 | 1 | 5.062 (128.6) | 1.781 (45.2) | 2.770 (70.4) | 1.250 (31.8) | 1.625 (41.3) | 28 |
| 93 | 44 | 1 | 4.062 (103.2) | 1.830 (46.5) | 3.020 (76.7) | 1.437 (36.5) | 1.875 (47.6) | 32 |
| 94 | 44 | 1 | 5.062 (128.6) | 1.830 (46.5) | 3.020 (76.7) | 1.437 (36.5) | 1.875 (47.6) | 32 |
| 95 | 48 | 1 | 4.062 (103.2) | 1.375 (34.9) | 2.113 (53.7) | .875 (22.2) | 1.250 (31.8) | 20 |
| 96 | 48 | 1 | 5.062 (128.6) | 1.375 (34.9) | 2.113 (53.7) | .875 (22.2) | 1.250 (31.8) | 20 |
| 97 | 48 | 1 | 4.062 (103.2) | 1.500 (38.1) | 2.363 (60.0) | 1.000 (25.4) | 1.375 (34.9) | 24 |
| 98 | 48 | 1 | 5.062 (128.6) | 1.500 (38.1) | 2.363 (60.0) | 1.000 (25.4) | 1.375 (34.9) | 24 |
| 99 | 48 | 1 | 4.062 (103.2) | 1.781 (45.2) | 2.770 (70.4) | 1.250 (31.8) | 1.625 (41.3) | 28 |
| 100 | 48 | 1 | 5.062 (128.6) | 1.781 (45.2) | 2.770 (70.4) | 1.250 (31.8) | 1.625 (41.3) | 28 |
| 101 | 48 | 1 | 4.062 (103.2) | 1.830 (46.5) | 3.020 (76.7) | 1.437 (36.5) | 1.875 (47.6) | 32 |
| 102 | 48 | 1 | 5.062 (128.6) | 1.830 (46.5) | 3.020 (76.7) | 1.437 (36.5) | 1.875 (47.6) | 32 |
| 103 | 61 | 1 | 3.062 (77.8) | 1.059 (26.9) | 1.551 (39.4) | .500 (12.7) | .750 (19.1) | 12 |
| 104 | 61 | 1 | 4.062 (103.2) | 1.059 (26.9) | 1.551 (39.4) | .500 (12.7) | .750 (19.1) | 12 |

Continued on Page B-50

Dimensions in inches (millimeters) and are subject to change without notice.



AS85049/25 and MS3437C Straight EMI/RFI Non-Environmental Backshell

TABLE II: Continued from Page B-49

| Dash No. | Shell Size | Style | E Max | F Ref. | L Max | Cable Range | | M85049/42 Ref. |
|----------|------------|-------|---------------|--------------|--------------|--------------|--------------|----------------|
| | | | | | | Min | Max | |
| 105 | 61 | 1 | 3.062 (77.8) | 1.156 (29.4) | 1.770 (45.0) | .625 (15.9) | .937 (23.8) | 16 |
| 106 | 61 | 1 | 4.062 (103.2) | 1.156 (29.4) | 1.770 (45.0) | .625 (15.9) | .937 (23.8) | 16 |
| 107 | 61 | 2 | 3.812 (96.8) | 1.375 (34.9) | 2.113 (53.7) | .875 (22.2) | 1.250 (31.8) | 20 |
| 108 | 61 | 2 | 4.812 (122.2) | 1.375 (34.9) | 2.113 (53.7) | .875 (22.2) | 1.250 (31.8) | 20 |
| 109 | 61 | 2 | 3.812 (96.8) | 1.500 (38.1) | 2.363 (60.0) | 1.000 (25.4) | 1.375 (34.9) | 24 |
| 110 | 61 | 2 | 4.812 (122.2) | 1.500 (38.1) | 2.363 (60.0) | 1.000 (25.4) | 1.375 (34.9) | 24 |
| 111 | 12 | 1 | 2.062 (52.4) | 1.027 (26.1) | 1.332 (33.8) | .350 (8.9) | .500 (12.7) | 10 |
| 112 | 16 | 1 | 2.062 (52.4) | 1.027 (26.1) | 1.145 (29.1) | .250 (6.4) | .437 (11.1) | 06 |
| 113 | 16 | 1 | 3.062 (77.8) | 1.027 (26.1) | 1.145 (29.1) | .250 (6.4) | .437 (11.1) | 06 |
| 114 | 12 | 1 | 2.062 (52.4) | 1.027 (26.1) | .957 (24.3) | .125 (3.2) | .312 (7.9) | 04 |
| 115 | 12 | 1 | 3.062 (77.8) | 1.027 (26.1) | .957 (24.3) | .125 (3.2) | .312 (7.9) | 04 |
| 116 | 14 | 1 | 2.062 (52.4) | 1.027 (26.1) | 1.145 (29.1) | .250 (6.4) | .437 (11.1) | 06 |
| 117 | 14 | 1 | 3.062 (77.8) | 1.027 (26.1) | 1.145 (29.1) | .250 (6.4) | .437 (11.1) | 06 |
| 118 | 16 | 1 | 2.062 (52.4) | 1.027 (26.1) | 1.332 (33.8) | .350 (8.9) | .625 (15.9) | 10 |
| 119 | 16 | 1 | 3.062 (77.8) | 1.027 (26.1) | 1.332 (33.8) | .350 (8.9) | .625 (15.9) | 10 |
| 120 | 18 | 1 | 2.062 (52.4) | 1.027 (26.1) | .957 (24.3) | .125 (3.2) | .312 (7.9) | 04 |
| 121 | 18 | 1 | 3.062 (77.8) | 1.027 (26.1) | .957 (24.3) | .125 (3.2) | .312 (7.9) | 04 |
| 122 | 18 | 1 | 2.062 (52.4) | 1.027 (26.1) | 1.145 (29.1) | .250 (6.4) | .437 (11.1) | 06 |
| 123 | 18 | 1 | 3.062 (77.8) | 1.027 (26.1) | 1.145 (29.1) | .250 (6.4) | .437 (11.1) | 06 |
| 124 | 20 | 1 | 3.062 (77.8) | 1.027 (26.1) | 1.145 (29.1) | .250 (6.4) | .437 (11.1) | 06 |
| 125 | 20 | 1 | 4.062 (103.2) | 1.027 (26.1) | 1.145 (29.1) | .250 (6.4) | .437 (11.1) | 06 |
| 126 | 22 | 1 | 3.062 (77.8) | 1.027 (26.1) | .957 (24.3) | .125 (3.2) | .312 (7.9) | 04 |
| 127 | 22 | 1 | 4.062 (103.2) | 1.027 (26.1) | .957 (24.3) | .125 (3.2) | .312 (7.9) | 04 |
| 128 | 22 | 1 | 3.062 (77.8) | 1.027 (26.1) | 1.145 (29.1) | .250 (6.4) | .437 (11.1) | 06 |
| 129 | 22 | 1 | 4.062 (103.2) | 1.027 (26.1) | 1.145 (29.1) | .250 (6.4) | .437 (11.1) | 06 |
| 130 | 24 | 1 | 3.062 (77.8) | 1.027 (26.1) | 1.332 (33.8) | .350 (8.9) | .625 (15.9) | 10 |
| 131 | 24 | 1 | 4.062 (103.2) | 1.027 (26.1) | 1.332 (33.8) | .350 (8.9) | .625 (15.9) | 10 |
| 132 | 36 | 1 | 4.062 (103.2) | 1.059 (26.9) | 1.551 (39.4) | .500 (12.7) | .750 (19.1) | 12 |
| 133 | 36 | 1 | 5.062 (128.6) | 1.059 (26.9) | 1.551 (39.4) | .500 (12.7) | .750 (19.1) | 12 |
| 134 | 40 | 1 | 4.062 (103.2) | 1.059 (26.9) | 1.551 (39.4) | .500 (12.7) | .750 (19.1) | 12 |
| 135 | 40 | 1 | 5.062 (128.6) | 1.059 (26.9) | 1.551 (39.4) | .500 (12.7) | .750 (19.1) | 12 |
| 136 | 10 | 1 | 2.062 (52.4) | 1.027 (26.1) | 1.145 (29.1) | .250 (6.4) | .375 (9.5) | 06 |
| 137 | 10 | 1 | 3.062 (77.8) | 1.027 (26.1) | 1.145 (29.1) | .250 (6.4) | .375 (9.5) | 06 |
| 138 | 12 | 1 | 2.062 (52.4) | 1.027 (26.1) | 1.332 (33.8) | .350 (8.9) | .500 (12.7) | 10 |
| 139 | 12 | 1 | 3.062 (77.8) | 1.027 (26.1) | 1.332 (33.8) | .350 (8.9) | .500 (12.7) | 10 |
| 140 | 20 | 1 | 3.062 (77.8) | 1.156 (29.4) | 1.770 (45.0) | .625 (15.9) | .904 (23.0) | 16 |
| 141 | 20 | 1 | 4.062 (103.2) | 1.156 (29.4) | 1.770 (45.0) | .625 (15.9) | .904 (23.0) | 16 |
| 142 | 22 | 1 | 3.062 (77.8) | 1.375 (34.9) | 2.113 (53.7) | .875 (22.2) | 1.029 (26.1) | 20 |
| 143 | 22 | 1 | 4.062 (103.2) | 1.375 (34.9) | 2.113 (53.7) | .875 (22.2) | 1.029 (26.1) | 20 |
| 144 | 24 | 1 | 3.062 (77.8) | 1.375 (34.9) | 2.113 (53.7) | .875 (22.2) | 1.144 (29.1) | 20 |
| 145 | 24 | 1 | 4.062 (103.2) | 1.375 (34.9) | 2.113 (53.7) | .875 (22.2) | 1.144 (29.1) | 20 |
| 146 | 36 | 1 | 4.062 (103.2) | 1.830 (46.5) | 3.020 (76.7) | 1.437 (36.5) | 1.840 (46.7) | 32 |
| 147 | 36 | 1 | 5.062 (128.6) | 1.830 (46.5) | 3.020 (76.7) | 1.437 (36.5) | 1.840 (46.7) | 32 |
| 148 | 36 | 1 | 4.062 (103.2) | 1.156 (29.4) | 1.770 (45.0) | .625 (15.9) | .937 (23.8) | 16 |
| 149 | 36 | 1 | 5.062 (128.6) | 1.156 (29.4) | 1.770 (45.0) | .625 (15.9) | .937 (23.8) | 16 |
| 150 | 14 | 1 | 2.062 (52.4) | 1.027 (26.1) | .957 (24.3) | .125 (3.2) | .312 (7.9) | 04 |
| 151 | 14 | 1 | 3.062 (77.8) | 1.027 (26.1) | .957 (24.3) | .125 (3.2) | .312 (7.9) | 04 |
| 152 | 16 | 1 | 2.062 (52.4) | 1.027 (26.1) | .957 (24.3) | .125 (3.2) | .312 (7.9) | 04 |
| 153 | 16 | 1 | 3.062 (77.8) | 1.027 (26.1) | .957 (24.3) | .125 (3.2) | .312 (7.9) | 04 |
| 154 | 44 | 1 | 4.062 (103.2) | 1.156 (29.4) | 1.770 (45.0) | .625 (15.9) | .937 (23.8) | 16 |
| 155 | 44 | 1 | 5.062 (128.6) | 1.156 (29.4) | 1.770 (45.0) | .625 (15.9) | .937 (23.8) | 16 |
| 156 | 40 | 1 | 4.062 (103.2) | 1.156 (29.4) | 1.770 (45.0) | .625 (15.9) | .937 (23.8) | 16 |
| 157 | 40 | 1 | 5.062 (128.6) | 1.156 (29.4) | 1.770 (45.0) | .625 (15.9) | .937 (23.8) | 16 |

Dimensions in inches (millimeters) and are subject to change without notice.

AS85049/26-1 and MS3419 Straight Crimp Ring Backshell and Crimp Ring



AS85049

| CONNECTOR DESIGNATOR: | |
|-----------------------|------------------------------|
| A | AS50151 Series AS34001 |
| | MIL-DTL-26482 Series II |
| | AS81703 Series III |
| | MIL-DTL-83723 Series I & III |

Basic Part Number
M85049/26-1 = Adapter Only
M85049/26-2 = Crimp Ring Only
M85049/26-3 = Adapter with Crimp Ring
 (See Page B-52 for Crimp Ring)

Shell Size
 (Table II)

M85049/26-1 - 12 W

Superseded Part Number

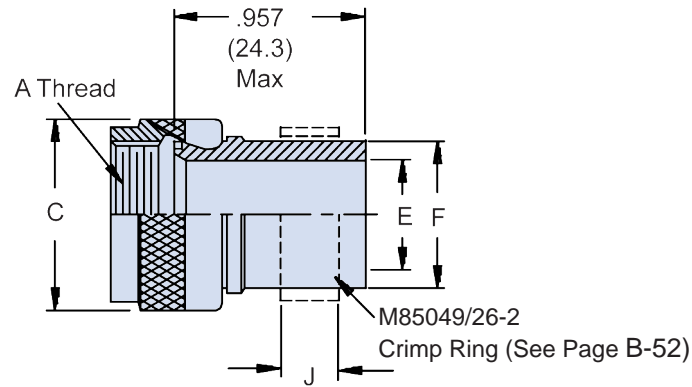
MS3419-21 C

| | |
|----------------|------------|
| Basic Part No. | Shell Size |
|----------------|------------|

Finish
 (Material is Aluminum Only)
A = Electroless Nickel
C = 500 Hr. Cadmium Olive Drab over Electroless Nickel

B

Finish
N = Electroless Nickel
W = 1,000 Hr. Cadmium Olive Drab over Electroless Nickel
X = Aluminum, Nickel Fluorocarbon Polymer
Z = Aluminum, Zinc-Nickel, Black

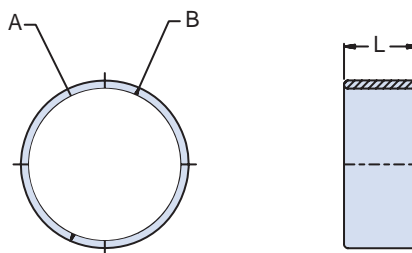
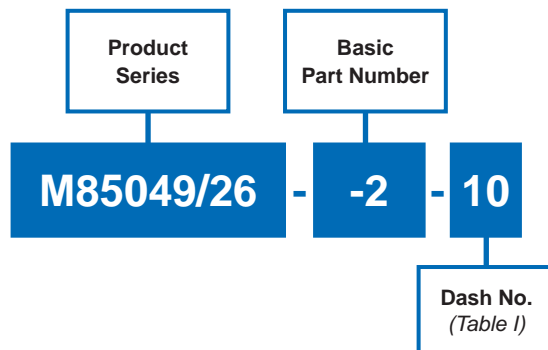


| TABLE I: Adapter Shell Size, Thread, and Dimensions | | | | |
|---|-------------------|--------------|--------------|--------------|
| Shell Size | A Thread Class 2B | C Dia Max | E Dia | F Dia |
| 3 | .562 - 24 UNEF | .670 (17.0) | .250 (6.4) | .337 (8.6) |
| 8 | .500 - 20 UNF | .620 (15.7) | .250 (6.4) | .337 (8.6) |
| 10 | .625 - 24 UNEF | .730 (18.5) | .325 (8.3) | .488 (12.4) |
| 12 | .750 - 20 UNEF | .860 (21.8) | .420 (10.7) | .500 (12.7) |
| 14 | .875 - 20 UNEF | .980 (24.9) | .540 (13.7) | .620 (15.7) |
| 16 | 1.000 - 20 UNEF | 1.110 (28.2) | .670 (17.0) | .750 (19.1) |
| 18 | 1.062 - 18 UNEF | 1.220 (31.0) | .789 (20.0) | .880 (22.4) |
| 20 | 1.188 - 18 UNEF | 1.350 (34.3) | .914 (23.2) | 1.000 (25.4) |
| 22 | 1.313 - 18 UNEF | 1.470 (37.3) | 1.039 (26.4) | 1.120 (28.4) |
| 24 | 1.438 - 18 UNEF | 1.590 (40.4) | 1.112 (28.2) | 1.192 (30.3) |
| 28 | 1.750 - 18 UNS | 1.970 (50.0) | 1.389 (35.3) | 1.545 (39.2) |
| 32 | 2.000 - 18 UNS | 2.220 (56.4) | 1.635 (41.5) | 1.795 (45.6) |
| 36 | 2.250 - 16 UN | 2.470 (62.7) | 1.850 (47.0) | 2.045 (51.9) |
| 40 | 2.500 - 16 UN | 2.720 (69.1) | 2.065 (52.5) | 2.295 (58.3) |
| 44 | 2.750 - 16 UN | 2.970 (75.4) | 2.320 (58.9) | 2.545 (64.6) |
| 48 | 3.000 - 16 UN | 3.220 (81.8) | 2.570 (65.3) | 2.795 (71.0) |
| 61 | 1.500 - 18 UNEF | 1.650 (41.9) | 1.210 (30.7) | 1.359 (34.5) |

- APPLICATION NOTES**
- For complete dimensions see the applicable Military Specification.
 - Metric dimensions (mm) are in parentheses.

See Page B-52 for AS85049/26-2 Crimp Ring

Dimensions in inches (millimeters) and are subject to change without notice.


TABLE I: Shell Size, Thread, Cable Entry and Dimensions

| Dash No. | Color Code | A Dia | | B Dia | | L Dim ±.020 (0.5) | For Use with AS85049/26-1 | For Use with AS85049/20 | For Use with AS85049/33-2 | Installing Die Cat. No. (See Note 2) |
|----------|------------|--------------|--------------|--------------|--------------|----------------------|------------------------------|----------------------------|------------------------------|--|
| | | Min | Max | Min | Max | | | | | |
| 8 | GREEN | .400 (10.2) | .410 (10.4) | .448 (11.4) | .458 (11.6) | .250 (6.4) | -3 & -8 | -9 | -8 | GS405 |
| 10 | RED | .585 (14.9) | .595 (15.1) | .660 (16.8) | .680 (17.3) | .440 (11.2) | -10 | -11 | -10 | GS590 |
| 12 | RED | .585 (14.9) | .595 (15.1) | .660 (16.8) | .680 (17.3) | .440 (11.2) | -12 | -11 | -10 | GS590 |
| 14 | BLUE | .705 (17.9) | .715 (18.2) | .780 (19.8) | .800 (20.3) | .440 (11.2) | -14 | -15 | -14 | GS710 |
| 16 | GREY | .835 (21.2) | .845 (21.5) | .910 (23.1) | .930 (23.6) | .440 (11.2) | -16 | -17 | -16 | GS840 |
| 18 | BROWN | 1.005 (25.5) | 1.015 (25.8) | 1.080 (27.4) | 1.100 (27.9) | .440 (11.2) | -18 | -19 | -18 | GS1010 |
| 20 | GREEN | 1.125 (28.6) | 1.135 (28.8) | 1.200 (30.5) | 1.220 (31.0) | .440 (11.2) | -20 | -21 | -20 | GS1130 |
| 22 | PINK | 1.245 (31.6) | 1.255 (31.9) | 1.320 (33.5) | 1.340 (34.0) | .440 (11.2) | -22 | -23 | -22 | GS1250 |
| 24 | ORANGE | 1.327 (33.7) | 1.337 (34.0) | 1.402 (35.6) | 1.422 (36.1) | .440 (11.2) | -24 | -25 | -24 | GS1332 |
| 28 | RED | 1.665 (42.3) | 1.675 (42.5) | 1.740 (44.2) | 1.760 (44.7) | .440 (11.2) | -28 | | | GS1670 |
| 32 | GREY | 1.915 (48.6) | 1.925 (48.9) | 1.990 (50.5) | 2.010 (51.4) | .440 (11.2) | -32 | | | GS1920 |
| 36 | GREEN | 2.165 (55.0) | 2.175 (55.2) | 2.240 (56.9) | 2.260 (57.4) | .440 (11.2) | -36 | | | GS2170 |
| 40 | ORANGE | 2.415 (61.3) | 2.425 (61.6) | 2.490 (63.2) | 2.510 (63.8) | .440 (11.2) | -40 | | | GS2420 |
| 44 | YELLOW | 2.665 (67.7) | 2.675 (67.9) | 2.740 (69.6) | 2.760 (70.1) | .440 (11.2) | -44 | | | GS2670 |
| 48 | BLUE | 2.915 (74.0) | 2.925 (74.3) | 2.990 (75.9) | 3.010 (76.5) | .440 (11.2) | -48 | | | GS2920 |
| 61 | PURPLE | 1.435 (36.4) | 1.445 (36.7) | 1.510 (38.4) | 1.530 (38.9) | .440 (11.2) | -61 | | | GS1440 |

APPLICATION NOTES

1. Assembly identified with manufacturer's name and part number, space permitting.
2. Crimp tool shall be the Thomas and Betts Installing Head catalog number 13640 or equivalent (see Table I).
3. The installing dies (Thomas and Betts Cat. No.--See Table I) shall be used with the Thomas and Betts Installing head Catalog Number 13640 or an equivalent tool.
4. Material/Finish: Copper/Tin Plate.
5. Metric dimensions (mm) are in parentheses.

Dimensions in inches (millimeters) and are subject to change without notice.

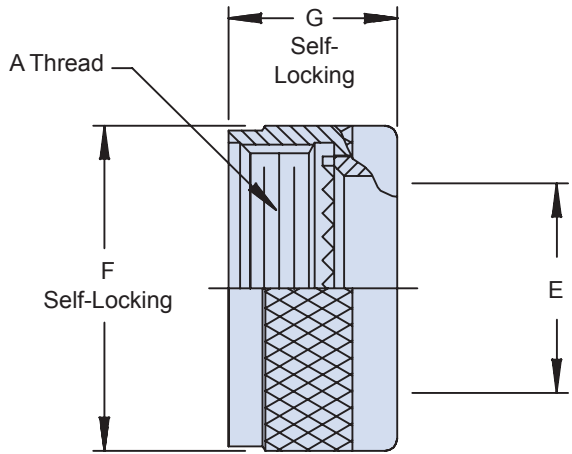
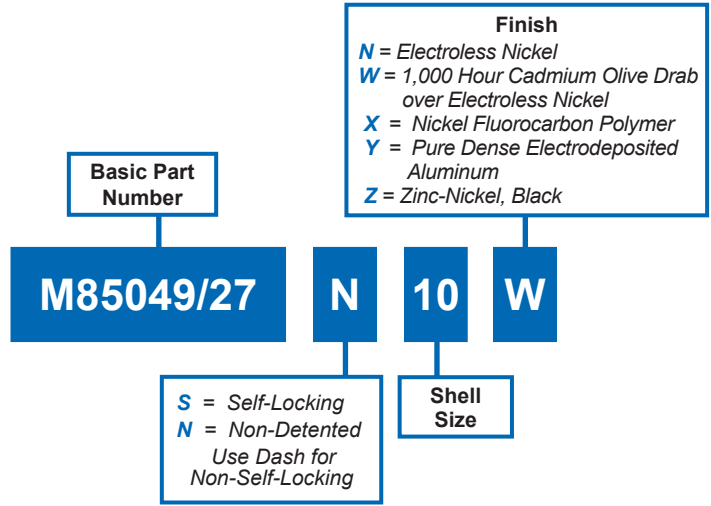
AS85049/27 and M38999/1 Self-Locking and Non-Self-Locking E-Nut



AS85049

B

| CONNECTOR DESIGNATOR: | |
|-----------------------|--|
| F | MIL-DTL-27599, MIL-DTL-38999 Series I & II |



| Shell Size | A Thread Class 2B | Ø E Max | Ø F Max | G Max |
|------------|-------------------|--------------|--------------|-------------|
| 08 | .438 - 28 UNEF | .274 (7.0) | .859 (21.8) | .590 (15.0) |
| 10 | .562 - 24 UNEF | .412 (10.5) | .984 (25.0) | .590 (15.0) |
| 12 | .688 - 24 UNEF | .526 (13.4) | 1.156 (29.4) | .590 (15.0) |
| 14 | .813 - 20 UNEF | .651 (16.5) | 1.281 (32.5) | .590 (15.0) |
| 16 | .938 - 20 UNEF | .776 (19.7) | 1.406 (35.7) | .590 (15.0) |
| 18 | 1.063 - 18 UNEF | .882 (22.4) | 1.516 (38.5) | .590 (15.0) |
| 20 | 1.188 - 18 UNEF | 1.006 (25.6) | 1.641 (41.7) | .590 (15.0) |
| 22 | 1.313 - 18 UNEF | 1.132 (28.8) | 1.766 (44.9) | .590 (15.0) |
| 24 | 1.438 - 18 UNEF | 1.257 (31.9) | 1.891 (48.0) | .590 (15.0) |

- APPLICATION NOTES**
- For complete dimensions, see the applicable Military Specification.
 - Metric dimensions (mm) are indicated in parentheses.

Dimensions in inches (millimeters) and are subject to change without notice.

© 2013 Glenair, Inc. Mil-Spec Backshells U.S. CAGE Code 06324 Rev. 8.29.14 Printed in U.S.A.

Basic
Part Number

Dash Number
(Table II)

M85049/28 - 1

Superseded
Part Number

M83733/15 1

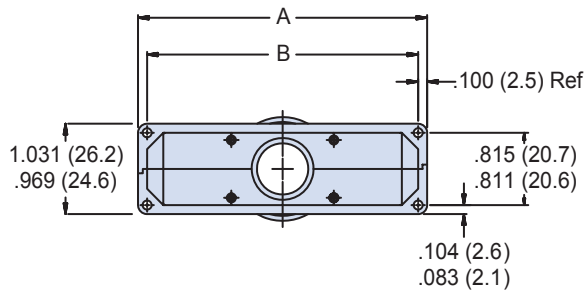
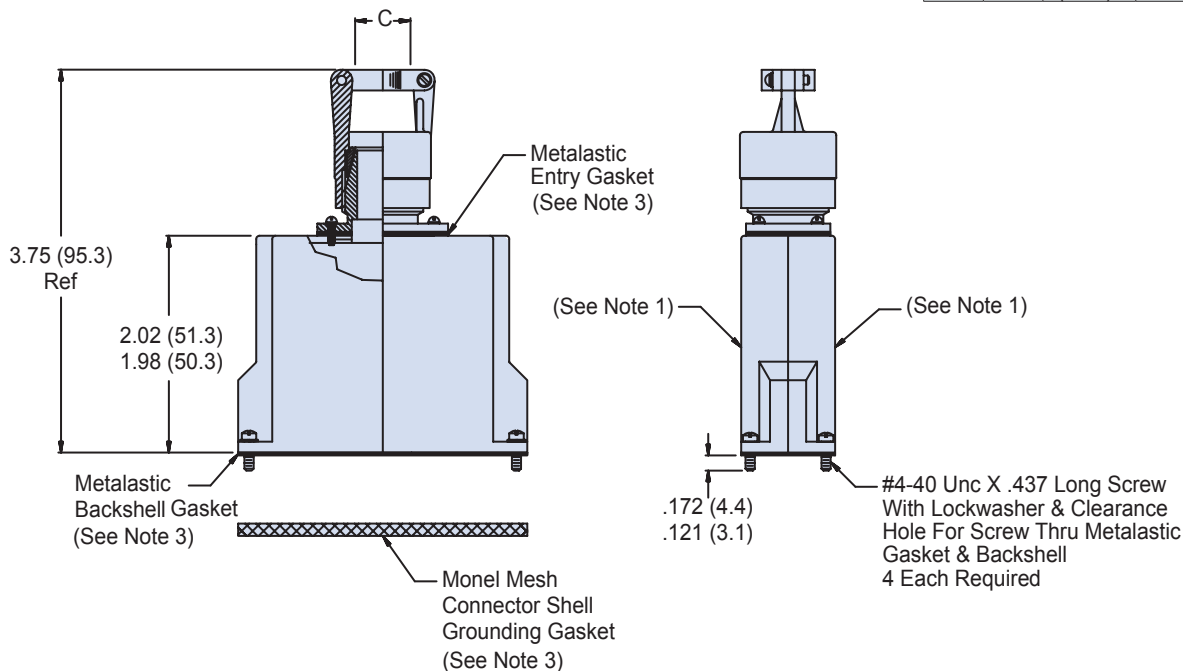
Basic
Part No.

Dash No.
(Table II)

**TABLE I:
Shell Size and Dimensions**

| Dash No. | Shell Size | A Max Dim | B Dim | C Cable Range (See Note 4) |
|----------|------------|--------------|------------------------------|----------------------------|
| 1 | A | 2.126 (54.0) | 1.900 (48.3) 1.890 (48.0) | .625 (15.9) .500 (12.7) |
| 2 | A | 2.126 (54.0) | 1.900 (48.3) 1.890 (48.0) | .750 (19.1) .625 (15.9) |
| 3 | B | 3.426 (87.0) | 3.200 (81.3) 3.190 (81.0) | .625 (15.9) .500 (12.7) |
| 4 | B | 3.426 (87.0) | 3.200 (81.3) 3.190 (81.0) | .750 (19.1) .625 (15.9) |

B



APPLICATION NOTES

- Assembly identified with manufacturer's name and part number, space permitting, location optional.
- Glenair Series 600 Backshell Assembly Tools are recommended for assembly and installation.
- Gasket may be ordered as a kit (Glenair G61659), shell size A or B.
- Dash numbers 1 and 3 = Standard cable entry.
Dash numbers 2 and 4 = Oversize cable entry.
- Material/finish:
Backshell, adapter, clamp, ferrule - Al alloy/Electroless nickel.
Screws and washers -CRES/Passivate
Backshell and entry gaskets = Metalastic/N.A.
Interface gasket - Monel mesh/N.A.
- Metric dimensions (mm) are indicated in parentheses

Dimensions in inches (millimeters) and are subject to change without notice.

AS85049/29 (M38999/6) Straight Non-Environmental Strain Relief Backshell



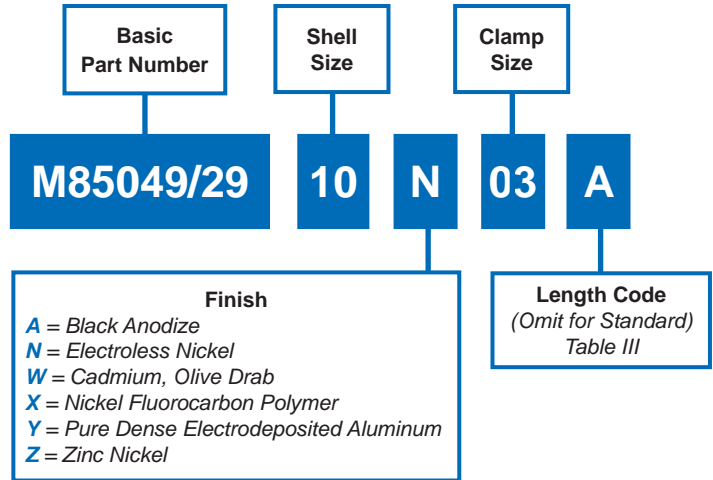
AS85049

B

| | |
|------------------------------|-------------------------------|
| CONNECTOR DESIGNATOR: | |
| F | MIL-DTL-38999 Series I and II |

TABLE III: Length Code

| Code | Length ± .032 (0.8) |
|----------|------------------------|
| Standard | 1.00 (25.4) |
| A | 2.00 (50.8) |
| B | 3.00 (76.2) |
| C | 4.00 (101.6) |



- APPLICATION NOTES**
- For complete dimensions see the applicable Military Specification.
 - Metric dimensions (mm) are in parentheses.
 - Cable Range is defined as the accommodation range for the wire bundle or cable. Dimensions shown are not intended for inspection criteria.

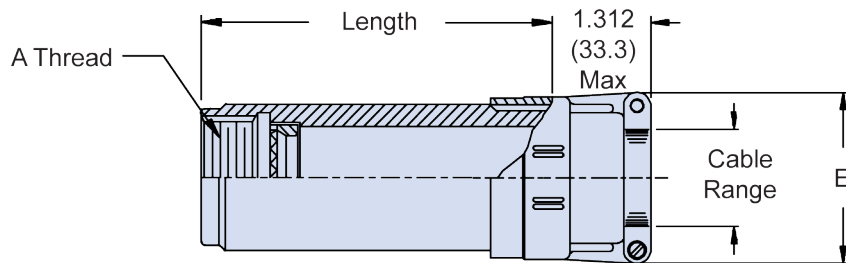


TABLE I: Shell Size and Clamp Size

| Shell Size | Series I Ref. | Clamp Size* | | A Thread Class 2B |
|------------|---------------|-------------|-----|-------------------|
| | | Min | Max | |
| 08 | 09 | 01 | 02 | .438 - 28 UNEF |
| 10 | 11 | 01 | 03 | .562 - 24 UNEF |
| 12 | 13 | 02 | 04 | .688 - 24 UNEF |
| 14 | 15 | 02 | 05 | .813 - 20 UNEF |
| 16 | 17 | 02 | 06 | .938 - 20 UNEF |
| 18 | 19 | 03 | 07 | 1.063 - 18 UNEF |
| 20 | 21 | 03 | 08 | 1.188 - 18 UNEF |
| 22 | 23 | 03 | 09 | 1.313 - 18 UNEF |
| 24 | 25 | 04 | 10 | 1.438 - 18 UNEF |

*Clamp Size from Table II, AS85049/29 Specifications.

TABLE II: Clamp Size, Cable Range and Dimensions

| Clamp Size | Cable Range | | E Max |
|------------|--------------|--------------|--------------|
| | Min | Max | |
| 01 | .062 (1.6) | .125 (3.2) | .781 (19.8) |
| 02 | .125 (3.2) | .250 (6.4) | .969 (24.6) |
| 03 | .250 (6.4) | .375 (9.5) | 1.062 (27.0) |
| 04 | .312 (7.9) | .500 (12.7) | 1.156 (29.4) |
| 05 | .437 (11.1) | .625 (15.9) | 1.250 (31.8) |
| 06 | .562 (14.3) | .750 (19.1) | 1.375 (34.9) |
| 07 | .687 (17.4) | .875 (22.2) | 1.500 (38.1) |
| 08 | .812 (20.6) | 1.000 (25.4) | 1.625 (41.3) |
| 09 | .937 (23.8) | 1.125 (28.6) | 1.750 (44.5) |
| 10 | 1.062 (27.0) | 1.250 (31.8) | 1.875 (47.6) |

Dimensions in inches (millimeters) and are subject to change without notice.



AS85049/30 and M38999/4 Straight TAG® Ring Backshell

CONNECTOR DESIGNATOR:

F MIL-DTL-38999 Series I and II

Basic
Part Number

Shell Size
(Table II)

M85049/30 - 10 W

Superseded
Part Number

M38999/4 12 B

Basic
Part No.

Shell
Size

**Finish
(Material is Aluminum Only)**

B = Cadmium Olive Drab over Nickel
F = Electroless Nickel

Finish

N = Electroless Nickel
W = 1,000 Hr. Cadmium Olive Drab over Electroless Nickel
X = Aluminum, Nickel Fluorocarbon Polymer
Z = Aluminum, Zinc-Nickel, Black

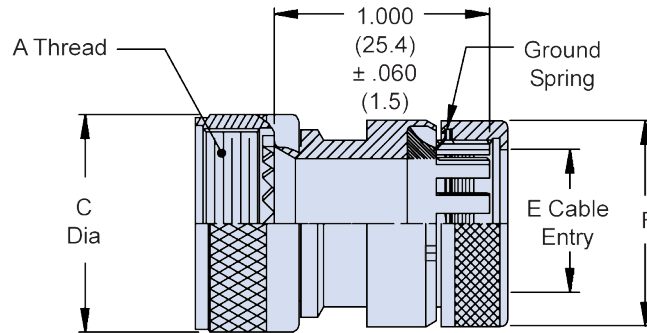


TABLE I: Clamp Size, Cable Range and Dimensions

| Shell Size | Shell Size Series I Ref | A Thread Class 2B | C Dia Max | E Cable Entry Max | F Dia Max |
|------------|-------------------------|-------------------|-------------|-------------------|--------------|
| 08 | 9 | .438 - 28 UNEF | .75 (19.1) | .250 (6.4) | .545 (13.8) |
| 10 | 11 | .562 - 24 UNEF | .85 (21.6) | .375 (9.5) | .670 (17.0) |
| 12 | 13 | .688 - 24 UNEF | 1.00 (25.4) | .500 (12.7) | .795 (20.2) |
| 14 | 15 | .813 - 20 UNEF | 1.10 (27.9) | .625 (15.9) | .920 (23.4) |
| 16 | 17 | .938 - 20 UNEF | 1.25 (31.8) | .750 (19.1) | 1.045 (26.5) |
| 18 | 19 | 1.063 - 18 UNEF | 1.40 (35.6) | .844 (21.4) | 1.170 (29.7) |
| 20 | 21 | 1.188 - 18 UNEF | 1.50 (38.1) | .970 (24.6) | 1.295 (32.9) |
| 22 | 23 | 1.313 - 18 UNEF | 1.65 (41.9) | 1.094 (27.8) | 1.420 (36.1) |
| 24 | 25 | 1.438 - 18 UNEF | 1.75 (44.5) | 1.219 (31.0) | 1.670 (42.4) |

APPLICATION NOTES

- For complete dimensions see the applicable Military Specification.
- Metric dimensions (mm) are in parentheses.
- Cable Entry is defined as the accommodation range for the wire bundle or cable. Dimensions shown are not intended for inspection criteria.

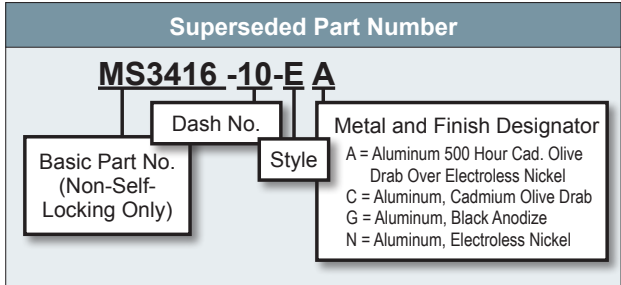
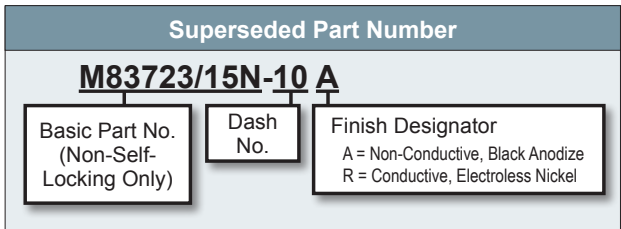
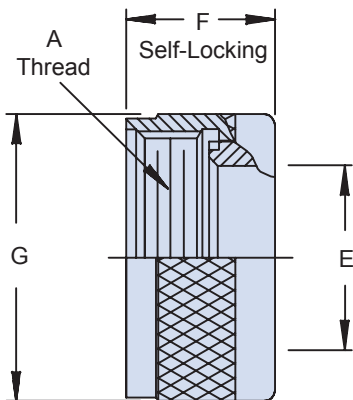
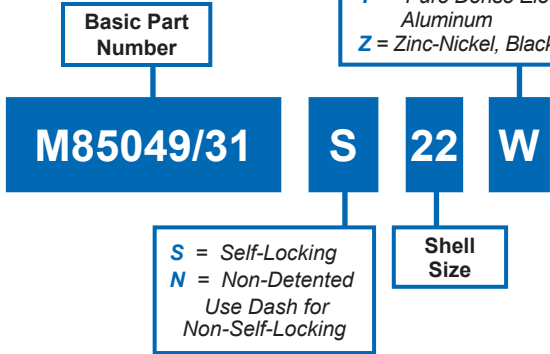
Dimensions in inches (millimeters) and are subject to change without notice.

AS85049/31, MS3416 and MIL-DTL-85723/15N Self-Locking and Non-Self-Locking E-Nut



| CONNECTOR DESIGNATOR: | |
|-----------------------|---|
| A | AS50151 Series AS34001 Crimp, MIL-DTL-26482 Series II, SAE AS81703 Crimp Series III, MIL-DTL-83723 Series I, MIL-DTL-83723 Series III |

| Finish |
|--|
| A = Anodize, Black |
| N = Electroless Nickel |
| W = 1,000 Hour Cadmium Olive Drab over Electroless Nickel |
| X = Nickel Fluorocarbon Polymer |
| Y = Pure Dense Electrodeposited Aluminum |
| Z = Zinc-Nickel, Black |



APPLICATION NOTES

- For complete dimensions, see the applicable Military Specification.
- Metric dimensions (mm) are indicated in parentheses.

TABLE I: Shell Size, Thread and Dimensions

| Shell Size | A Thread Class 2B | Ø E Max | F Max | Ø G Max |
|------------|-------------------|--------------|-------------|--------------|
| 3 | .562 - 24 UNEF | .270 (6.9) | -- | -- |
| 8 | .500 - 20 UNF | .270 (6.9) | .710 (18.0) | .885 (22.5) |
| 10 | .625 - 24 UNEF | .375 (9.5) | .710 (18.0) | 1.010 (25.7) |
| 12 | .750 - 20 UNEF | .511 (13.0) | .710 (18.0) | 1.135 (28.8) |
| 14 | .875 - 20 UNEF | .585 (14.9) | .710 (18.0) | 1.260 (32.0) |
| 16 | 1.000 - 20 UNEF | .710 (18.0) | .710 (18.0) | 1.385 (35.2) |
| 18 | 1.062 - 18 UNEF | .789 (20.0) | .710 (18.0) | 1.510 (38.4) |
| 20 | 1.188 - 18 UNEF | .914 (23.2) | .710 (18.0) | 1.635 (41.5) |
| 22 | 1.313 - 18 UNEF | 1.039 (26.4) | .710 (18.0) | 1.760 (44.7) |
| 24 | 1.438 - 18 UNEF | 1.154 (29.3) | .710 (18.0) | 1.885 (47.9) |
| 28 | 1.750 - 18 UNS | 1.389 (35.3) | .890 (22.6) | 2.135 (54.2) |
| 32 | 2.000 - 18 UNS | 1.635 (41.5) | .890 (22.6) | 2.395 (60.8) |
| 36 | 2.250 - 16 UN | 1.850 (47.0) | .890 (22.6) | 2.635 (66.9) |
| 40 | 2.500 - 16 UN | 2.065 (52.5) | .890 (22.6) | 2.885 (73.3) |
| 44 | 2.750 - 16 UN | 2.320 (58.9) | .890 (22.6) | 3.135 (79.6) |
| 48 | 3.000 - 16 UN | 2.570 (65.3) | .890 (22.6) | 3.385 (86.0) |
| 61 | 1.500 - 18 UNEF | 1.194 (30.3) | -- | -- |

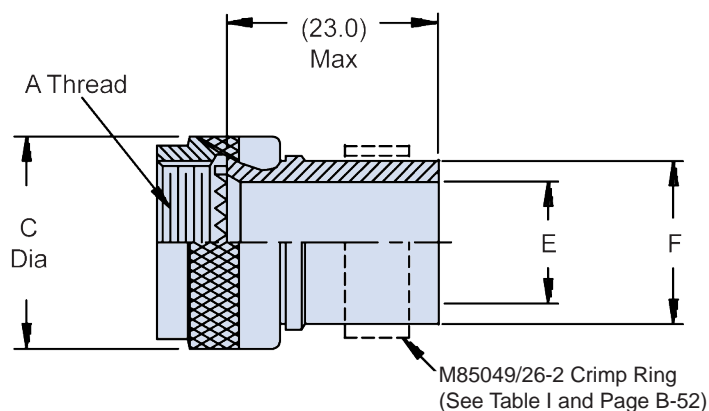
Dimensions in inches (millimeters) and are subject to change without notice.

© 2013 Glenair, Inc. Mil-Spec Backshells U.S. CAGE Code 06324 Rev. 8.29.14 Printed in U.S.A.



AS85049/33-2 Straight RFI/EMI Non-Environmental Backshell

CONNECTOR DESIGNATOR:
F MIL-DTL-38999 Series I and II

**Basic
Part Number**
**Shell Size
(Table I)**
M85049/33-2
10
W
Finish
N = Electroless Nickel
W = 1,000 Hr. Cadmium Olive Drab over Electroless Nickel
X = Aluminum, Nickel Fluorocarbon Polymer
Z = Aluminum, Zinc-Nickel, Black

TABLE I: Adapter Shell Size, Thread, Dimensions and Crimp Ring Ref.

| Shell Size | A Thread Class 2B | C Dia Max | E Dia | F Dia Max | AS85049/26-2 Crimp Ring Ref |
|------------|-------------------|--------------|--------------|--------------|-----------------------------|
| 08 | .438 - 28 UNEF | .750 (19.1) | .250 (6.4) | .347 (8.8) | 8 |
| 10 | .562 - 24 UNEF | .850 (21.6) | .325 (8.3) | .498 (12.6) | 10 |
| 12 | .688 - 24 UNEF | 1.000 (25.4) | .420 (10.7) | .510 (13.0) | 12 |
| 14 | .813 - 20 UNEF | 1.100 (27.9) | .540 (13.7) | .630 (16.0) | 14 |
| 16 | .938 - 20 UNEF | 1.250 (31.8) | .670 (17.0) | .760 (19.3) | 16 |
| 18 | 1.063 - 18 UNEF | 1.400 (35.6) | .789 (20.0) | .890 (22.6) | 18 |
| 20 | 1.188 - 18 UNEF | 1.500 (38.1) | .914 (23.2) | 1.010 (25.7) | 20 |
| 22 | 1.313 - 18 UNEF | 1.650 (41.9) | 1.039 (26.4) | 1.130 (28.7) | 22 |
| 24 | 1.438 - 18 UNEF | 1.750 (44.5) | 1.112 (28.2) | 1.202 (30.5) | 24 |

APPLICATION NOTES

1. For complete dimensions see the applicable Military Specification.
2. Metric dimensions (mm) are in parentheses.

**See Page B-52 for
AS85049/26-2 Crimp Ring**

Dimensions in inches (millimeters) and are subject to change without notice.

AS85049/34
Straight Adapter and Extender
 for Use with MS3114 and MS3124 Connectors



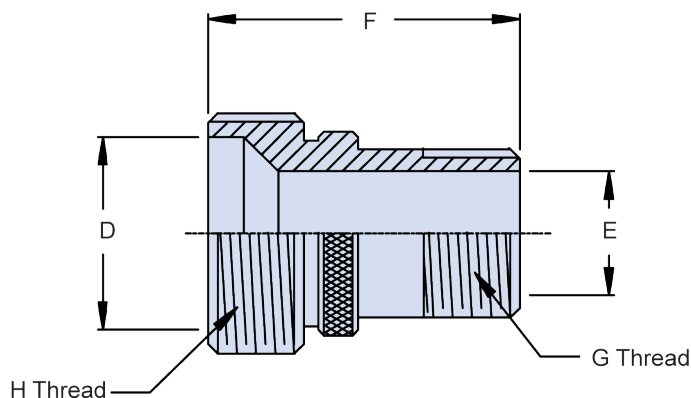
AS85049

| CONNECTOR DESIGNATOR: | |
|-----------------------|------------------------|
| D | MIL-DTL-26482 Series I |

For Use With
 MS3114 and MS3124
 Connectors Only

| | |
|---|-------------------------|
| Basic Part Number | Shell Size (Table I) |
| M85049/34 | - 12 W |
| Finish <i>W = 1000 Hr. Cadmium Olive Drab</i> <i>X = Nickel Fluorocarbon Polymer</i> <i>Y = Pure Dense Electrodeposited Aluminum</i> <i>Z = Zinc Nickel, Black</i> | |

B



| Shell Size | G Thread UNEF Class 2A | H Thread UNEF Class 2A | D Dia | E Dia | F Max |
|------------|---------------------------|---------------------------|--------------|--------------|-------------|
| 8 | .4375 - 28 | .625 - 24 | .500 (12.7) | .327 (8.3) | .812 (20.6) |
| 10 | .5625 - 24 | .750 - 20 | .609 (15.5) | .444 (11.3) | .812 (20.6) |
| 12 | .6875 - 24 | .875 - 20 | .734 (18.6) | .569 (14.5) | .812 (20.6) |
| 14 | .8125 - 20 | 1.000 - 20 | .859 (21.8) | .673 (17.1) | .812 (20.6) |
| 16 | .9375 - 20 | 1.125 - 18 | .969 (24.6) | .798 (20.3) | .812 (20.6) |
| 18 | 1.0625 - 18 | 1.250 - 18 | 1.109 (28.2) | .915 (23.2) | .812 (20.6) |
| 20 | 1.1875 - 18 | 1.375 - 18 | 1.219 (31.0) | 1.030 (26.2) | .906 (23.0) |
| 22 | 1.3125 - 18 | 1.500 - 18 | 1.344 (34.1) | 1.155 (29.3) | .906 (23.0) |
| 24 | 1.4375 - 18 | 1.625 - 18 | 1.469 (37.3) | 1.280 (32.5) | .937 (23.8) |

| APPLICATION NOTES |
|--|
| <ol style="list-style-type: none"> For complete dimensions see the applicable Military Specification. Metric dimensions (mm) are in parentheses. |

Dimensions in inches (millimeters) and are subject to change without notice.

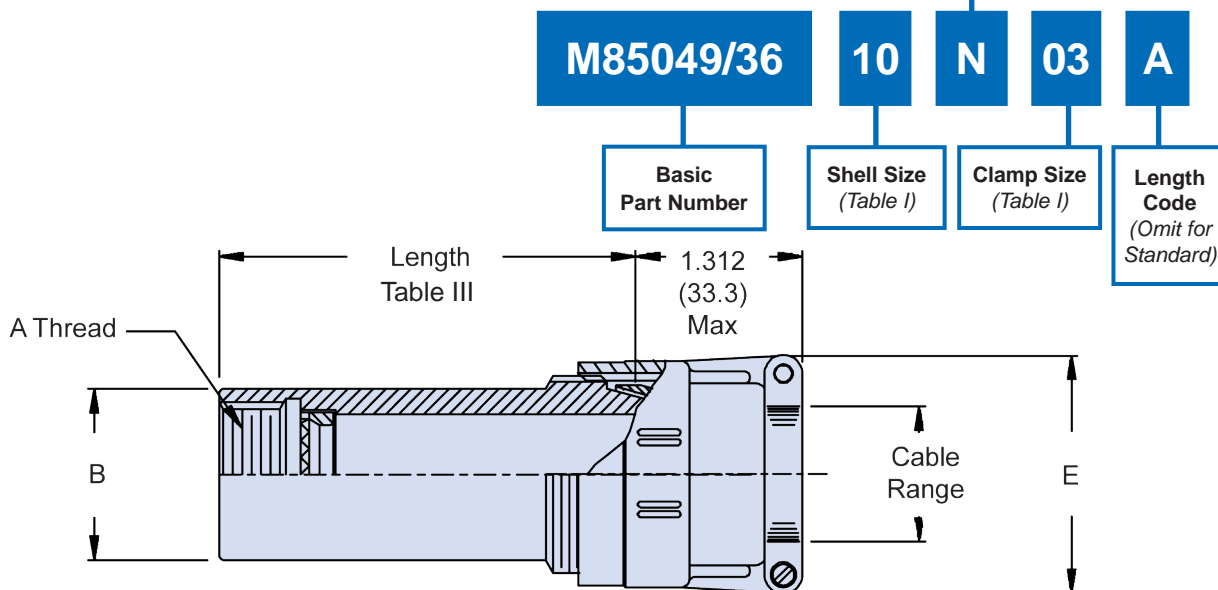


AS85049/36 and M38999/7 Straight EMI/RFI Non-Environmental Backshell

CONNECTOR DESIGNATOR:
F MIL-DTL-38999 Series I and II

Finish

N = Electroless Nickel **X** = Nickel Fluorocarbon Polymer
W = 1,000 Hr. Cadmium Olive Drab over Electroless Nickel **Z** = Zinc-Nickel, Black

B

TABLE I: Shell Size and Clamp Size

| Shell Size | Series I Shell Size Ref. | Clamp Size (Table II) | | A Thread Class 2B | B Dia Max |
|------------|--------------------------|-----------------------|-----|-------------------|-------------|
| | | Min | Max | | |
| 08 | 09 | 01 | 02 | .438 - 28 UNEF | .65 (16.5) |
| 10 | 11 | 01 | 03 | .562 - 24 UNEF | .77 (19.6) |
| 12 | 13 | 02 | 04 | .688 - 24 UNEF | .89 (22.6) |
| 14 | 15 | 02 | 05 | .813 - 20 UNEF | 1.02 (25.9) |
| 16 | 17 | 02 | 06 | .938 - 20 UNEF | 1.15 (29.2) |
| 18 | 19 | 03 | 07 | 1.063 - 18 UNEF | 1.23 (31.2) |
| 20 | 21 | 03 | 08 | 1.188 - 18 UNEF | 1.36 (34.5) |
| 22 | 23 | 03 | 09 | 1.313 - 18 UNEF | 1.48 (37.6) |
| 24 | 25 | 04 | 10 | 1.438 - 18 UNEF | 1.73 (43.9) |

TABLE II: Cable Range and Dimensions

| Clamp Size | Cable Range | | E Max |
|------------|--------------|--------------|--------------|
| | Min | Max | |
| 01 | .062 (1.6) | .125 (3.2) | .781 (19.8) |
| 02 | .125 (3.2) | .250 (6.4) | .969 (24.6) |
| 03 | .250 (6.4) | .375 (9.5) | 1.062 (27.0) |
| 04 | .312 (7.9) | .500 (12.7) | 1.156 (29.4) |
| 05 | .437 (11.1) | .625 (15.9) | 1.250 (31.8) |
| 06 | .562 (14.3) | .750 (19.1) | 1.375 (34.9) |
| 07 | .687 (17.4) | .875 (22.2) | 1.500 (38.1) |
| 08 | .812 (20.6) | 1.000 (25.4) | 1.625 (41.3) |
| 09 | .937 (23.8) | 1.125 (28.6) | 1.750 (44.5) |
| 10 | 1.062 (27.0) | 1.250 (31.8) | 1.875 (47.6) |

TABLE III: Length Code

| Length Code | Available Shell Sizes | Length |
|-------------|-----------------------|---------------|
| Std. | 08 - 24 | 1.500 (38.1) |
| A | 08 - 24 | 2.500 (63.5) |
| B | 14 - 24 | 3.500 (88.9) |
| C | 20 - 24 | 4.500 (114.3) |

APPLICATION NOTES

- For complete dimensions see the applicable Military Specification.
- Metric dimensions (mm) are in parentheses.
- Cable Range is defined as the accommodation range for the wire bundle or cable. Dimensions shown are not intended for inspection criteria.

Dimensions in inches (millimeters) and are subject to change without notice.

AS85049/37 and M38999/8 90° EMI/RFI Non-Environmental Backshell



AS85049

CONNECTOR DESIGNATOR:

F MIL-DTL-38999 Series I and II

Finish
N = Electroless Nickel *X* = Nickel Fluorocarbon Polymer
W = 1,000 Hr. Cadmium Olive Drab over Electroless Nickel *Z* = Zinc-Nickel, Black

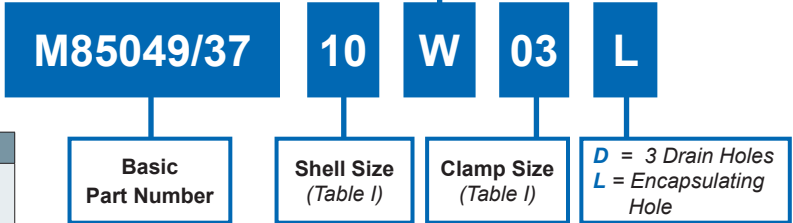


TABLE I: Shell Size

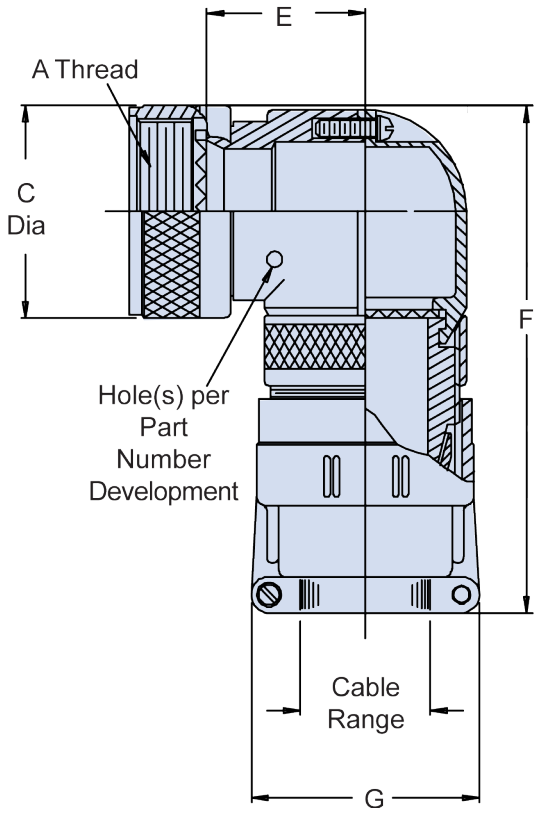
| Shell Size Series II | Series I Shell Size Ref. | A Thread Class 2B | C Dia Max |
|----------------------|--------------------------|-------------------|--------------|
| 08 | 09 | .438 - 28 UNEF | .750 (19.1) |
| 10 | 11 | .562 - 24 UNEF | .850 (21.6) |
| 12 | 13 | .688 - 24 UNEF | 1.000 (25.4) |
| 14 | 15 | .813 - 20 UNEF | 1.100 (27.9) |
| 16 | 17 | .938 - 20 UNEF | 1.250 (31.8) |
| 18 | 19 | 1.063 - 18 UNEF | 1.400 (35.6) |
| 20 | 21 | 1.188 - 18 UNEF | 1.500 (38.1) |
| 22 | 23 | 1.313 - 18 UNEF | 1.650 (41.9) |
| 24 | 25 | 1.438 - 18 UNEF | 1.750 (44.5) |

TABLE II: Clamp Size and Dimensions

| Shell Size Series II | Series I Shell Size Ref. | E Max | F Max | Clamp Size Min | Clamp Size Max |
|----------------------|--------------------------|--------------|-------------|----------------|----------------|
| 8 | 09 | .720 (18.3) | 2.50 (63.5) | 01 | 02 |
| 10 | 11 | .720 (18.3) | 2.50 (63.5) | 01 | 03 |
| 12 | 13 | .800 (20.3) | 2.56 (65.0) | 02 | 04 |
| 14 | 15 | .850 (21.6) | 2.69 (68.3) | 02 | 05 |
| 16 | 17 | .910 (23.1) | 2.81 (71.4) | 02 | 06 |
| 18 | 19 | 1.000 (25.4) | 3.03 (77.0) | 03 | 06 |
| 20 | 21 | 1.050 (26.7) | 3.19 (81.0) | 03 | 07 |
| 22 | 23 | 1.100 (27.9) | 3.31 (84.1) | 03 | 08 |
| 24 | 25 | 1.200 (30.5) | 3.31 (84.1) | 04 | 09 |

TABLE II: Clamp Size and Dimensions

| Clamp Size | Cable Range | | G Max |
|------------|-------------|--------------|--------------|
| | Min | Max | |
| 01 | .062 (1.6) | .125 (3.2) | .781 (19.8) |
| 02 | .125 (3.2) | .250 (6.4) | .969 (24.6) |
| 03 | .250 (6.4) | .375 (9.5) | 1.062 (27.0) |
| 04 | .312 (7.9) | .500 (12.7) | 1.156 (29.4) |
| 05 | .437 (11.1) | .625 (15.9) | 1.250 (31.8) |
| 06 | .562 (14.3) | .750 (19.1) | 1.375 (34.9) |
| 07 | .687 (17.4) | .875 (22.2) | 1.500 (38.1) |
| 08 | .812 (20.6) | 1.000 (25.4) | 1.625 (41.3) |
| 09 | .937 (23.8) | 1.125 (28.6) | 1.750 (44.5) |



APPLICATION NOTES

- For complete dimensions see the applicable Military Specification.
- Metric dimensions (mm) are in parentheses.
- Cable Range is defined as the accommodation range for the wire bundle or cable. Dimensions shown are not intended for inspection criteria.

Dimensions in inches (millimeters) and are subject to change without notice.



AS85049/38 Straight Strain Relief Self-Locking or Non-Self-Locking

CONNECTOR DESIGNATOR:

H MIL-DTL-38999 Series III & IV
EN3645

**FOR NEW DESIGN
USE AS85049/124**

Basic
Part Number

M85049/38

Shell Size

S

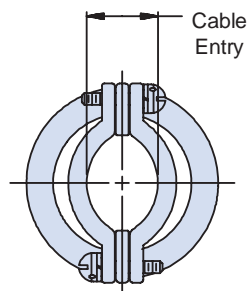
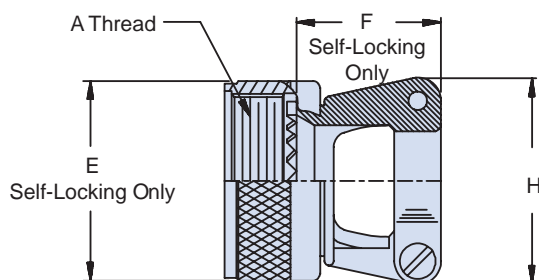
11

W

S = Self-Locking
Use Dash for Non-Self-Locking
N = Non-Detented

Material and Finish Designator

A = Aluminum, Black Anodize
N = Aluminum, Electroless Nickel
S = 300 Series Steel, Passivated
W = Aluminum, 500 Hour Cadmium
Olive Drab over Electroless Nickel



Note: Screw orientation shown is for non-self-locking configuration. Screws on self-locking configurations are on the same side/face of the clamp.

TABLE I: Shell Size, Cable Entry and Backshell Dimensions

| Shell Size | Shell Size Ref. | A Thread Class 2B | Ø E Max | | F Max | | H Max | | Cable Entry | | | |
|------------|-----------------|-------------------|-------------------|-------------------|-------------------|-------------------|-------|--------|-------------|--------|------|--------|
| | | | Self-Locking Only | Self-Locking Only | Self-Locking Only | Self-Locking Only | Min | Max | Min | Max | | |
| 9 | A | M12 X 1 - 6H | .858 | (21.8) | .91 | (23.1) | .85 | (21.6) | .098 | (2.5) | .234 | (5.9) |
| 11 | B | M15 X 1 - 6H | .984 | (25.0) | .91 | (23.1) | .90 | (22.9) | .153 | (3.9) | .234 | (5.9) |
| 13 | C | M18 X 1 - 6H | 1.157 | (29.4) | 1.01 | (25.7) | 1.10 | (27.9) | .190 | (4.8) | .328 | (8.3) |
| 15 | D | M22 X 1 - 6H | 1.279 | (32.5) | 1.06 | (26.9) | 1.15 | (29.2) | .260 | (6.6) | .457 | (11.6) |
| 17 | E | M25 X 1 - 6H | 1.406 | (35.7) | 1.16 | (29.5) | 1.30 | (33.0) | .283 | (7.2) | .614 | (15.6) |
| 19 | F | M28 X 1 - 6H | 1.516 | (38.5) | 1.41 | (35.8) | 1.50 | (38.1) | .325 | (8.3) | .634 | (16.1) |
| 21 | G | M31 X 1 - 6H | 1.642 | (41.7) | 1.51 | (38.4) | 1.60 | (40.6) | .343 | (8.7) | .698 | (17.7) |
| 23 | H | M34 X 1 - 6H | 1.768 | (44.9) | 1.66 | (42.2) | 1.70 | (43.2) | .381 | (9.7) | .823 | (20.9) |
| 25 | J | M37 X 1 - 6H | 1.889 | (48.0) | 2.76 | (44.7) | 1.80 | (45.7) | .418 | (10.6) | .853 | (21.7) |

APPLICATION NOTES

1. Assembly to be identified with manufacturer's name and part number, space permitting.
2. Cable Entry is defined as the accommodation entry for the wire bundle or cable. Dimensions are not intended for inspection criteria.
3. For complete dimensions, see the applicable Military Specification.
4. Metric dimensions (mm) are in parentheses.

Dimensions in inches (millimeters) and are subject to change without notice.

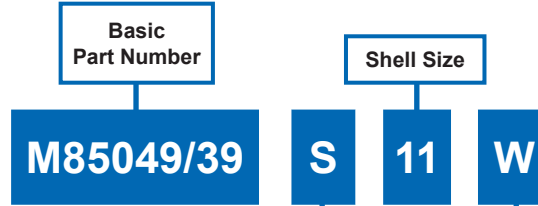
AS85049/39
90° Strain Relief
Self-Locking or Non-Self-Locking



AS85049

| CONNECTOR DESIGNATOR: | |
|-----------------------|---|
| H | MIL-DTL-38999 Series III & IV EN3645 |

FOR NEW DESIGN
USE AS85049/126



S = Self-Locking
Use Dash for Non-Self-Locking
N = Non-Detented

Material and Finish Designator
A = Aluminum, Black Anodize
N = Aluminum, Electroless Nickel
S = 300 Series Steel, Passivated
W = Aluminum, 500 Hour Cadmium Olive Drab over Electroless Nickel

B

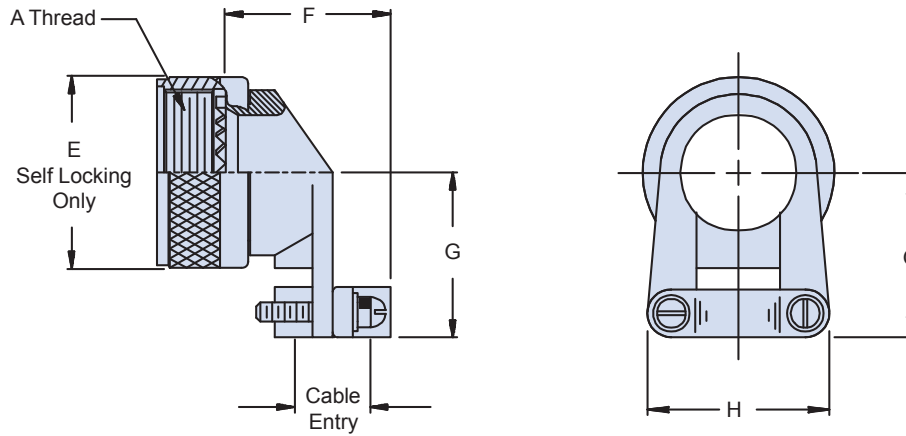


TABLE I: Shell Size, Cable Entry and Backshell Dimensions

| Shell Size | Shell Size Ref. | A Thread Class 2B | Ø E Max | | F Max | | G Max | | H Max | | Cable Entry | | | |
|------------|-----------------|-------------------|---------|--------|-------|--------|-------|--------|-------|--------|-------------------|--------|------|--------|
| | | | | | | | | | | | Self-Locking Only | | Min | Max |
| 9 | A | M12 X 1 - 6H | .858 | (21.8) | 1.01 | (25.7) | 1.00 | (25.4) | .85 | (21.6) | .098 | (2.5) | .234 | (5.9) |
| 11 | B | M15 X 1 - 6H | .984 | (25.0) | 1.01 | (25.7) | 1.10 | (27.9) | .90 | (22.9) | .153 | (3.9) | .234 | (5.9) |
| 13 | C | M18 X 1 - 6H | 1.157 | (29.4) | 1.21 | (30.7) | 1.10 | (27.9) | 1.10 | (27.9) | .190 | (4.8) | .328 | (8.3) |
| 15 | D | M22 X 1 - 6H | 1.279 | (32.5) | 1.26 | (32.0) | 1.25 | (31.8) | 1.15 | (29.2) | .260 | (6.6) | .457 | (11.6) |
| 17 | E | M25 X 1 - 6H | 1.406 | (35.7) | 1.41 | (35.8) | 1.30 | (33.0) | 1.30 | (33.0) | .283 | (7.2) | .614 | (15.6) |
| 19 | F | M28 X 1 - 6H | 1.516 | (38.5) | 1.51 | (38.4) | 1.35 | (34.3) | 1.50 | (38.1) | .325 | (8.3) | .634 | (16.1) |
| 21 | G | M31 X 1 - 6H | 1.642 | (41.7) | 1.66 | (42.2) | 1.60 | (40.6) | 1.60 | (40.6) | .343 | (8.7) | .698 | (17.7) |
| 23 | H | M34 X 1 - 6H | 1.768 | (44.9) | 1.76 | (44.7) | 1.75 | (44.5) | 1.70 | (43.2) | .381 | (9.7) | .823 | (20.9) |
| 25 | J | M37 X 1 - 6H | 1.889 | (48.0) | 2.91 | (73.9) | 1.85 | (47.0) | 1.80 | (45.7) | .418 | (10.6) | .853 | (21.7) |

APPLICATION NOTES

1. Assembly to be identified with manufacturer's name and part number, space permitting.
2. Cable Entry is defined as the accommodation entry for the wire bundle or cable. Dimensions are not intended for inspection criteria.
3. For complete dimensions, see the applicable Military Specification.
4. Metric dimensions (mm) are in parentheses.

Dimensions in inches (millimeters) and are subject to change without notice.

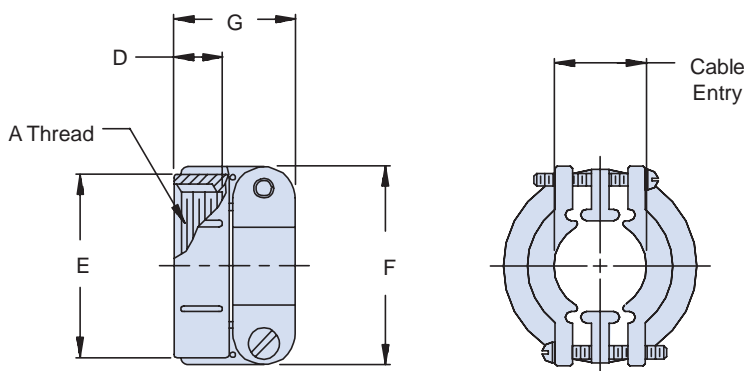


AS85049/41 and MS3057A Straight Non-Self-Locking Strain Relief for Use with MS "V" Thread General Duty "A" End Bell

Basic
Part Number

Dash No.

M85049/41 - 3A



Superseded
Part Number

MS3057-16A

Basic
Part No.

Dash
No.

TABLE I: Shell Size, Cable Entry and Backshell Dimensions

| Dash No. | Conn. Shell Ref.(s) | A Thread Class 2B | Cable Entry Max | | D Ref. | | Ø E | | F | | G | |
|----------|---------------------|-------------------|-----------------|--------|--------|--------|-------|--------|-------|--------|-------|--------|
| | | | | | | | ±.031 | (0.8) | ±.031 | (0.8) | ±.031 | (0.8) |
| 3A | 8S, 10S | 1/2 - 28 UNEF | .250 | (6.4) | .406 | (10.3) | .688 | (17.5) | .812 | (20.6) | .812 | (20.6) |
| 4A | 10SL, 12S, 12 | 5/8 - 24 UNEF | .312 | (7.9) | .406 | (10.3) | .812 | (20.6) | .875 | (22.2) | .812 | (20.6) |
| 6A | 14S, 14 | 3/4 - 20 UNEF | .438 | (11.1) | .406 | (10.3) | .969 | (24.6) | 1.062 | (27.0) | .875 | (22.2) |
| 8A | 16S, 16 | 7/8 - 20 UNEF | .562 | (14.3) | .406 | (10.3) | 1.094 | (27.8) | 1.156 | (29.4) | .938 | (23.8) |
| 10A | 18 | 1 - 20 UNEF | .625 | (15.9) | .406 | (10.3) | 1.188 | (30.2) | 1.250 | (31.8) | .938 | (23.8) |
| 12A | 20, 22 | 1 3/16 - 18 UNEF | .750 | (19.1) | .406 | (10.3) | 1.375 | (34.9) | 1.469 | (37.3) | .938 | (23.8) |
| 16A | 24, 28 | 1 7/16 - 18 UNEF | .938 | (23.8) | .406 | (10.3) | 1.656 | (42.1) | 1.688 | (42.9) | 1.031 | (26.2) |
| 20A | 32 | 1 3/4 - 18 UNS | 1.250 | (31.8) | .469 | (11.9) | 2.031 | (51.6) | 2.031 | (51.6) | 1.094 | (27.8) |
| 24A | 36 | 2 - 18 UNS | 1.375 | (34.9) | .531 | (13.5) | 2.219 | (56.4) | 2.281 | (57.9) | 1.156 | (29.4) |
| 28A | 40 | 2 1/4 - 16 UN | 1.625 | (41.3) | .531 | (13.5) | 2.500 | (63.5) | 2.688 | (68.3) | 1.688 | (42.9) |
| 32A | 44 | 2 1/2 - 16 UN | 1.875 | (47.6) | .594 | (15.1) | 2.781 | (70.6) | 2.938 | (74.6) | 1.750 | (44.5) |
| 40A | 48 | 3 - 16 UN | 2.375 | (60.3) | .656 | (16.7) | 3.281 | (83.3) | 3.500 | (88.9) | 1.750 | (44.5) |

APPLICATION NOTES

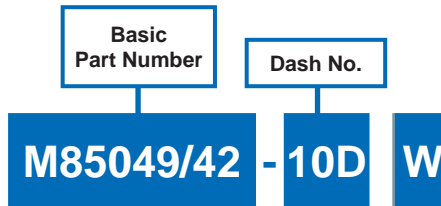
1. Finish on M85049/41 is Cadmium Olive Drab over Electroless Nickel, 1,000 hour salt spray.
2. Assembly to be identified with manufacturer's name and part number, space permitting.
3. Cable Entry is defined as the accommodation entry for the wire bundle or cable. Dimensions are not intended for inspection criteria.
4. For complete dimensions, see the applicable Military Specification.
5. Metric dimensions (mm) are in parentheses.

Dimensions in inches (millimeters) and are subject to change without notice.

AS85049/42 and MS3057D
Straight Non-Self-Locking Strain Relief
for Use with MS "V" Thread General Duty "A" End Bell



AS85049



Superseded Part Number
MS3057 -10D A

Basic Part No. | Dash No. | Metal and Finish Designator

A = Aluminum Cadmium Olive Drab over Electroless Nickel
C = Aluminum, Cadmium Olive Drab
N = Aluminum, Electroless Nickel
D = 300 Series Steel, Cadmium Black Plate
S = 300 Series Steel, Passivate

Material/Finish

N = Aluminum/Electroless Nickel
W = Aluminum/1,000 Hour Cadmium over Electroless Nickel
X = Aluminum/Nickel Fluorocarbon Polymer
Y = Aluminum/Pure Dense Electrodeposited Aluminum
Z = Aluminum/Zinc Nickel Black
B = Stainless Steel/Cadmium Black
S = Stainless Steel/Passivated
XS = Stainless Steel/Nickel Fluorocarbon Polymer
YS = Stainless Steel/Pure Dense Electrodeposited Aluminum
ZS = Stainless Steel/Zinc Nickel Black

B

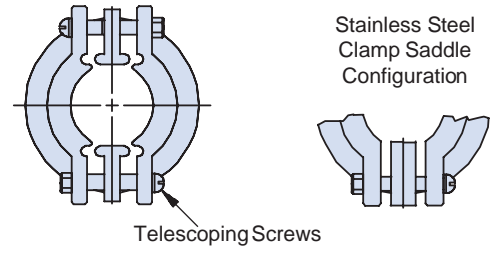
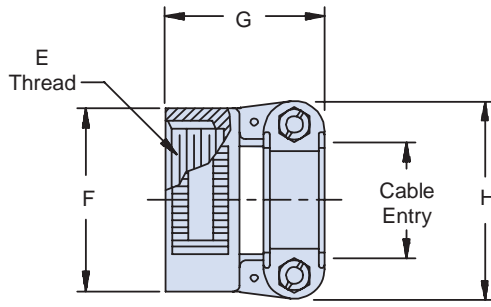


TABLE I: Shell Size, Cable Entry and Backshell Dimensions

| Dash No. | E Thread Class 2B | Ø F Max | Ø G | | H | | Cable Entry | | | |
|----------|-------------------|--------------|--------------|--------------|--------------|--------------|--------------|--------------|--------------|--------------|
| | | | ±.020 | (.5) | ±.020 | (.5) | Max | | Min | |
| 4D | 5/8 - 24 UNEF | .937 (23.8) | 1.281 (32.5) | 1.281 (32.5) | .937 (23.8) | .312 (7.9) | .125 (3.2) | .125 (3.2) | .250 (6.4) | .250 (6.4) |
| 6D | 3/4 - 20 UNEF | 1.031 (26.2) | 1.281 (32.5) | 1.281 (32.5) | 1.125 (28.6) | .437 (11.1) | .250 (6.4) | .250 (6.4) | .312 (7.9) | .312 (7.9) |
| 8D | 7/8 - 20 UNEF | 1.250 (31.8) | 1.281 (32.5) | 1.281 (32.5) | 1.312 (33.3) | .562 (14.3) | .312 (7.9) | .312 (7.9) | .350 (8.9) | .350 (8.9) |
| 10D | 1 - 20 UNEF | 1.250 (31.8) | 1.281 (32.5) | 1.281 (32.5) | 1.312 (33.3) | .625 (15.9) | .350 (8.9) | .350 (8.9) | .500 (12.7) | .500 (12.7) |
| 12D | 1 3/16 - 18 UNEF | 1.437 (36.5) | 1.312 (33.3) | 1.312 (33.3) | 1.531 (38.9) | .750 (19.1) | .500 (12.7) | .500 (12.7) | .625 (15.9) | .625 (15.9) |
| 16D | 1 7/16 - 18 UNEF | 1.688 (42.9) | 1.406 (35.7) | 1.406 (35.7) | 1.750 (44.5) | .937 (23.8) | .625 (15.9) | .625 (15.9) | .875 (22.2) | .875 (22.2) |
| 20D | 1 3/4 - 18 UNS | 2.000 (50.8) | 1.563 (39.7) | 1.563 (39.7) | 2.093 (53.2) | 1.250 (31.8) | .875 (22.2) | .875 (22.2) | 1.000 (25.4) | 1.000 (25.4) |
| 24D | 2 - 18 UNS | 2.250 (57.2) | 1.625 (41.3) | 1.625 (41.3) | 2.343 (59.5) | 1.375 (34.9) | 1.000 (25.4) | 1.000 (25.4) | 1.250 (31.8) | 1.250 (31.8) |
| 28D | 2 1/4 - 16 UN | 2.500 (63.5) | 1.900 (48.3) | 1.900 (48.3) | 2.750 (69.9) | 1.625 (41.3) | 1.250 (31.8) | 1.250 (31.8) | 1.437 (36.5) | 1.437 (36.5) |
| 32D | 2 1/2 - 16 UN | 2.750 (69.9) | 1.900 (48.3) | 1.900 (48.3) | 3.000 (76.2) | 1.875 (47.6) | 1.437 (36.5) | 1.437 (36.5) | | |

- APPLICATION NOTES**
1. Assembly to be identified with manufacturer's name and part number, space permitting.
 2. Cable Entry is defined as the accommodation entry for the wire bundle or cable. Dimensions are not intended for inspection criteria.
 3. For complete dimensions, see the applicable Military Specification.
 4. Metric dimensions (mm) are in parentheses.

Dimensions in inches (millimeters) and are subject to change without notice.



AS85049/43 and MS3415

Strain Relief

45° Self-Locking or Non-Self-Locking

CONNECTOR DESIGNATOR:

A

AS5015 Series AS34001 Crimp,
MIL-DTL-26482 Series II,
AS81703 Crimp Series III,
MIL-DTL-83723 Series I & III

Basic
Part Number

M85049/43

Dash No.

S

10

W

S = Self-Locking
Use Dash for Non-Self-Locking
N = Non-Detented

Finish

A = Anodize, Black
N = Electroless Nickel
W = 1,000 Hour Cadmium Olive Drab
over Electroless Nickel
X = Nickel Fluorocarbon Polymer
Y = Pure Dense Electrodeposited
Aluminum
Z = Zinc-Nickel, Black

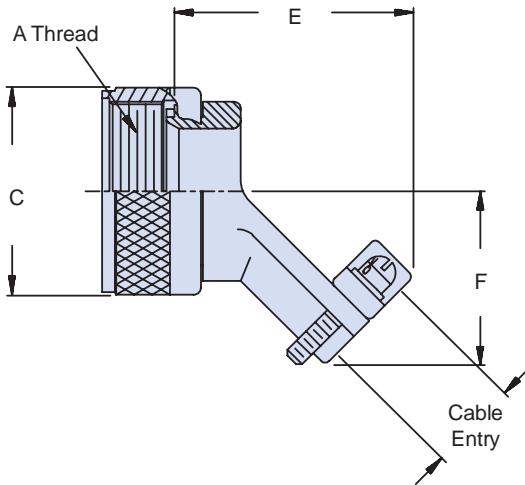


TABLE I: Shell Size, Cable Entry and Backshell Dimensions

| Dash No. | A Thread Class 2B | C Max | E Closed | | F Max | | Cable Entry | | | |
|----------|-------------------|--------------|--------------|--------------|--------------|--------------|--------------|--------------|--------------|--------------|
| | | | | | | | Min | Max | Min | Max |
| 3* | .562 - 24 UNEF | .669 (17.0) | 1.160 (29.5) | .772 (19.6) | .125 (3.2) | .204 (5.2) | .125 (3.2) | .204 (5.2) | .204 (5.2) | .204 (5.2) |
| 8 | .500 - 20 UNF | .885 (22.5) | 1.650 (29.5) | .772 (19.6) | .125 (3.2) | .204 (5.2) | .125 (3.2) | .204 (5.2) | .204 (5.2) | .204 (5.2) |
| 10 | .625 - 24 UNEF | 1.010 (25.7) | 1.694 (30.6) | .803 (20.4) | .187 (4.7) | .286 (7.3) | .187 (4.7) | .286 (7.3) | .286 (7.3) | .286 (7.3) |
| 12 | .750 - 20 UNEF | 1.135 (28.8) | 1.768 (32.5) | .866 (22.0) | .291 (7.4) | .416 (10.6) | .291 (7.4) | .416 (10.6) | .416 (10.6) | .416 (10.6) |
| 14 | .875 - 20 UNEF | 1.260 (32.0) | 1.840 (33.5) | .928 (23.6) | .351 (8.9) | .476 (12.1) | .351 (8.9) | .476 (12.1) | .476 (12.1) | .476 (12.1) |
| 16 | 1.000 - 20 UNEF | 1.385 (35.2) | 1.916 (36.2) | .991 (25.2) | .501 (12.7) | .625 (15.9) | .501 (12.7) | .625 (15.9) | .625 (15.9) | .625 (15.9) |
| 18 | 1.062 - 18 UNEF | 1.570 (39.9) | 2.034 (39.2) | 1.110 (28.2) | .518 (13.2) | .706 (17.9) | .518 (13.2) | .706 (17.9) | .706 (17.9) | .706 (17.9) |
| 20 | 1.188 - 18 UNEF | 1.635 (41.5) | 2.078 (40.3) | 1.172 (29.8) | .581 (14.8) | .831 (21.1) | .581 (14.8) | .831 (21.1) | .831 (21.1) | .831 (21.1) |
| 22 | 1.313 - 18 UNEF | 1.760 (44.7) | 2.122 (41.5) | 1.235 (31.4) | .644 (16.4) | .956 (24.3) | .644 (16.4) | .956 (24.3) | .956 (24.3) | .956 (24.3) |
| 24 | 1.438 - 18 UNEF | 1.885 (47.9) | 2.166 (42.6) | 1.297 (32.9) | .706 (17.9) | 1.081 (27.5) | .706 (17.9) | 1.081 (27.5) | 1.081 (27.5) | 1.081 (27.5) |
| 28 | 1.750 - 18 UNS | 2.135 (54.2) | 2.461 (45.7) | 1.543 (39.2) | .750 (19.1) | 1.187 (30.1) | .750 (19.1) | 1.187 (30.1) | 1.187 (30.1) | 1.187 (30.1) |
| 32 | 2.000 - 18 UNS | 2.315 (58.8) | 2.549 (48.0) | 1.668 (42.4) | .875 (22.2) | 1.250 (31.8) | .875 (22.2) | 1.250 (31.8) | 1.250 (31.8) | 1.250 (31.8) |
| 36 | 2.250 - 16 UN | 2.635 (66.9) | 2.595 (49.1) | 1.793 (45.5) | .938 (23.8) | 1.375 (34.9) | .938 (23.8) | 1.375 (34.9) | 1.375 (34.9) | 1.375 (34.9) |
| 40 | 2.500 - 16 UN | 2.885 (73.3) | 2.599 (49.1) | 1.918 (48.7) | .938 (23.8) | 1.500 (38.1) | .938 (23.8) | 1.500 (38.1) | 1.500 (38.1) | 1.500 (38.1) |
| 44 | 2.750 - 16 UN | 3.135 (79.6) | 2.860 (55.9) | 2.132 (54.2) | 1.188 (30.2) | 1.750 (44.5) | 1.188 (30.2) | 1.750 (44.5) | 1.750 (44.5) | 1.750 (44.5) |
| 48 | 3.000 - 16 UN | 3.385 (86.0) | 2.918 (58.1) | 2.257 (57.3) | 1.312 (33.3) | 1.875 (47.6) | 1.312 (33.3) | 1.875 (47.6) | 1.875 (47.6) | 1.875 (47.6) |
| 61* | 1.500 - 18 UNEF | 1.653 (41.5) | 1.676 (42.6) | 1.204 (30.6) | .706 (17.9) | 1.081 (27.5) | .706 (17.9) | 1.081 (27.5) | 1.081 (27.5) | 1.081 (27.5) |

* See Note 5

APPLICATION NOTES

1. Assembly to be identified with manufacturer's name and part number, space permitting.
2. Cable Entry is defined as the accommodation entry for the wire bundle or cable. Dimensions are not intended for inspection criteria.
3. For complete dimensions, see the applicable Military Specification.
4. Metric dimensions (mm) are in parentheses.
5. Non-Self-Locking only.

Dimensions in inches (millimeters) and are subject to change without notice.

AS85049/44 and M83733/16 Straight Non-Self-Locking Strain Relief



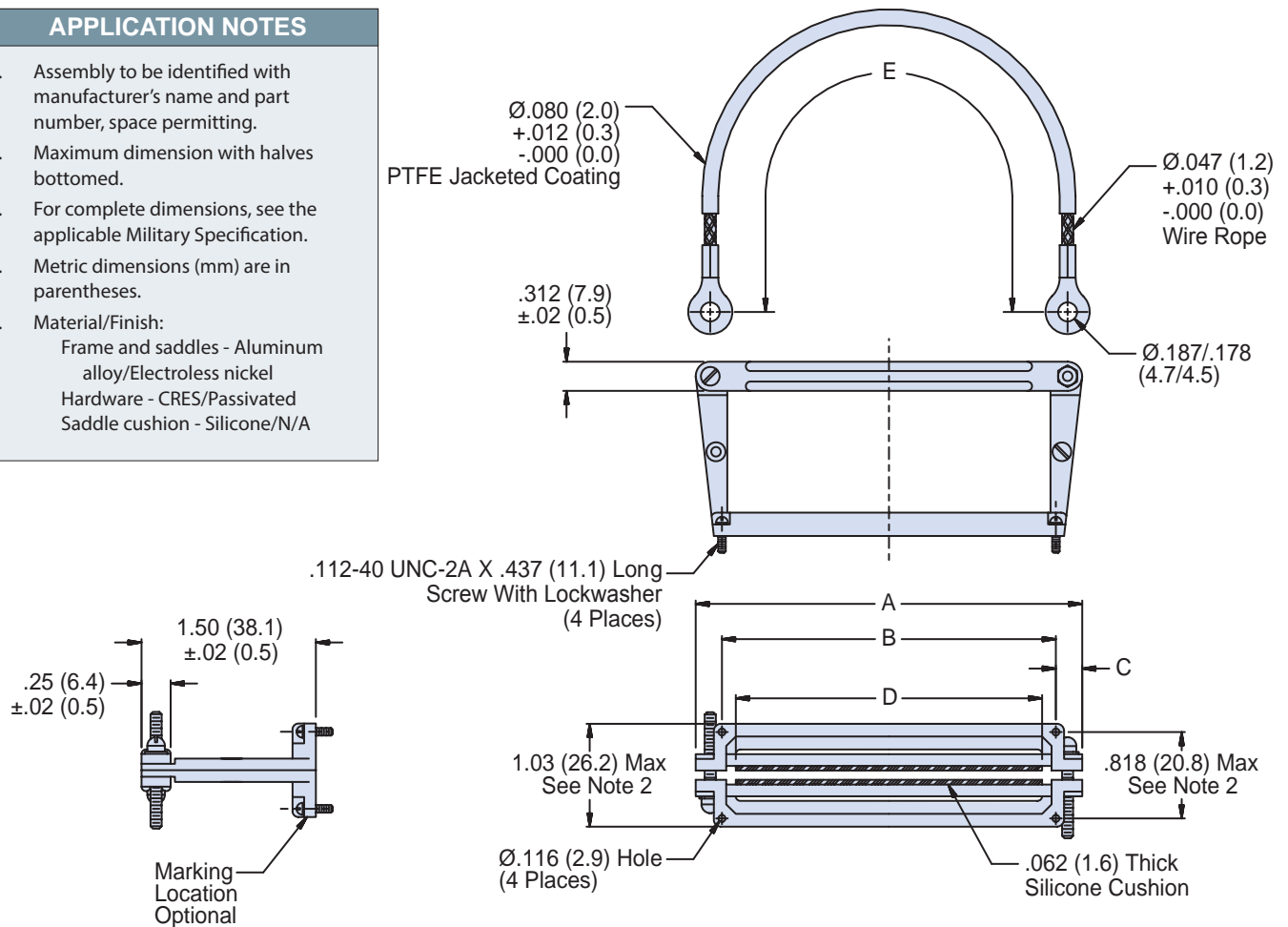
AS85049

Basic Part Number: **M85049/44**
 Dash No.: **3**

Superseded Part Number: **M83733/16-16**
 Basic Part No.: []
 Dash No.: []

B

- ### APPLICATION NOTES
1. Assembly to be identified with manufacturer's name and part number, space permitting.
 2. Maximum dimension with halves bottomed.
 3. For complete dimensions, see the applicable Military Specification.
 4. Metric dimensions (mm) are in parentheses.
 5. Material/Finish:
 Frame and saddles - Aluminum alloy/Electroless nickel
 Hardware - CRES/Passivated
 Saddle cushion - Silicone/N/A



| Dash No. | Shell Size | A Dim $\pm.062$ (1.6) | B Dim $\pm.005$ (0.1) | C Dim $\pm.032$ (0.8) | D Dim $\pm.062$ (1.6) | E Dim $\pm.062$ (1.6) | Lanyard |
|----------|------------|--------------------------|--------------------------|--------------------------|--------------------------|--------------------------|---------|
| 1 | A | 2.437 (61.9) | 1.895 (48.1) | .271 (6.9) | 1.70 (43.2) | N/A | Without |
| 2 | B | 3.750 (95.3) | 3.195 (81.2) | .277 (7.0) | 3.00 (76.2) | N/A | |
| 3 | A | 2.437 (61.9) | 1.895 (48.1) | .271 (6.9) | 1.70 (43.2) | 10.375 (263.5) | With |
| 4 | B | 3.750 (95.3) | 3.195 (81.2) | .277 (7.0) | 3.00 (76.2) | 10.375 (263.5) | |

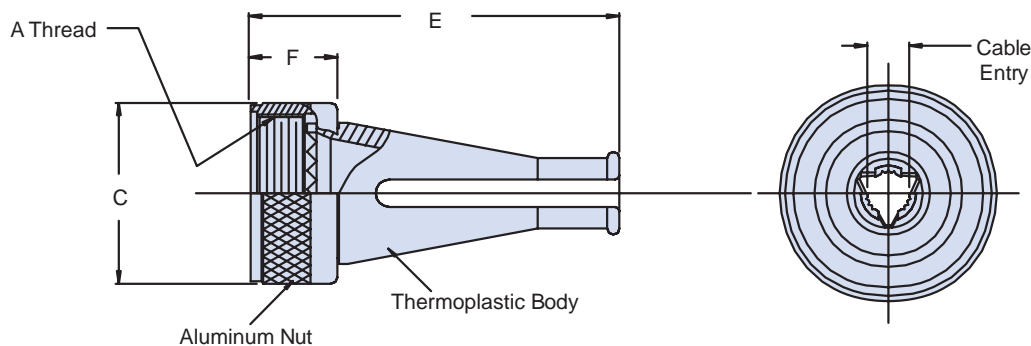
Dimensions in inches (millimeters) and are subject to change without notice.

CONNECTOR DESIGNATOR:

F MIL-DTL-38999 Series I and II

**Basic
Part Number**
M85049/45
Dash No.
W
10
**Superseded
Part Number**
MS27663-1
**Basic
Part No.**
**Dash
No.**
Finish

A = Anodize, Black
W = 1,000 Hour Cadmium Olive Drab
 over Electroless Nickel
X = Nickel Fluorocarbon Polymer
Y = Pure Dense Electrodeposited
 Aluminum
Z = Zinc-Nickel, Black


TABLE I: Shell Size, Cable Entry and Backshell Dimensions

| Dash No. | Shell Size Ref. | A Thread Class 2B | Ø C Max | E Max | | F Max | | Cable Entry | | | |
|----------|-----------------|-------------------|--------------|--------------|-------------|------------|-------------|-------------|--|-----|--|
| | | | | | | | | Min | | Max | |
| 8 | 8/9 | .438 - 28 UNEF | .578 (14.7) | 1.344 (34.1) | .422 (10.7) | .094 (2.4) | .203 (5.2) | | | | |
| 10 | 10/11 | .562 - 24 UNEF | .703 (17.9) | 1.344 (34.1) | .422 (10.7) | .141 (3.6) | .250 (6.4) | | | | |
| 12 | 12/13 | .688 - 24 UNEF | .828 (21.0) | 1.344 (34.1) | .422 (10.7) | .172 (4.4) | .323 (8.2) | | | | |
| 14 | 14/15 | .813 - 20 UNEF | .953 (24.2) | 1.344 (34.1) | .422 (10.7) | .203 (5.2) | .422 (10.7) | | | | |
| 16 | 16/17 | .938 - 20 UNEF | 1.078 (27.4) | 1.344 (34.1) | .422 (10.7) | .234 (5.9) | .500 (12.7) | | | | |
| 18 | 18/19 | 1.063 - 18 UNEF | 1.203 (30.6) | 1.344 (34.1) | .422 (10.7) | .265 (6.7) | .562 (14.3) | | | | |
| 20 | 20/21 | 1.188 - 18 UNEF | 1.328 (33.7) | 1.422 (36.1) | .422 (10.7) | .297 (7.5) | .625 (15.9) | | | | |
| 22 | 22/23 | 1.313 - 18 UNEF | 1.453 (36.9) | 1.422 (36.1) | .422 (10.7) | .328 (8.3) | .703 (17.9) | | | | |
| 24 | 24/25 | 1.438 - 18 UNEF | 1.578 (40.1) | 1.422 (36.1) | .344 (8.7) | .359 (9.1) | .765 (19.4) | | | | |

APPLICATION NOTES

1. Assembly to be identified with manufacturer's name and part number, space permitting.
2. Cable Entry is defined as the accommodation entry for the wire bundle or cable. Dimensions are not intended for inspection criteria.
3. For complete dimensions, see the applicable Military Specification.
4. Metric dimensions (mm) are in parentheses.

Dimensions in inches (millimeters) and are subject to change without notice.

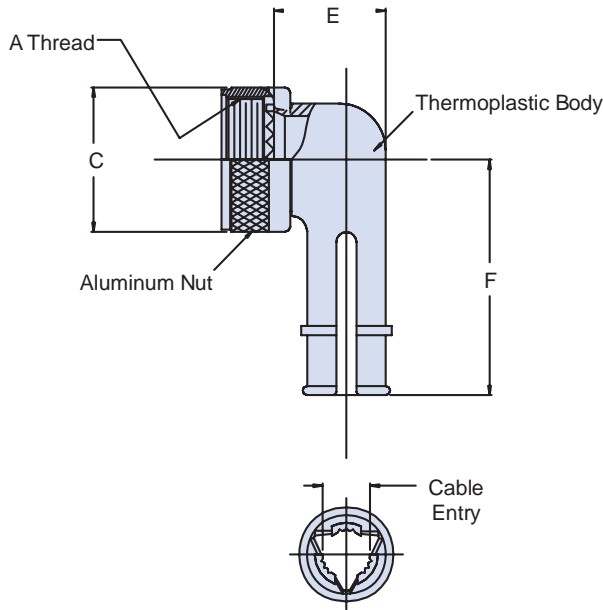
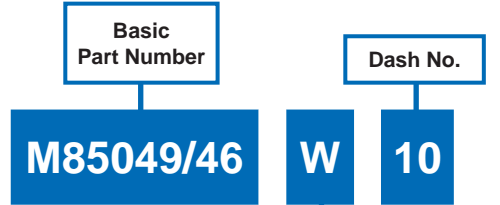
AS85049/46 and MS27663-2 90° Non-Self-Locking Composite Strain Relief



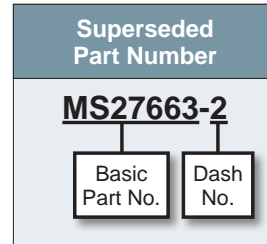
AS85049

B

| CONNECTOR DESIGNATOR: | |
|-----------------------|-------------------------------|
| F | MIL-DTL-38999 Series I and II |



| Finish | |
|----------|---|
| A | Anodize, Black |
| W | 1,000 Hour Cadmium Olive Drab over Electroless Nickel |
| X | Nickel Fluorocarbon Polymer |
| Y | Pure Dense Electrodeposited Aluminum |
| Z | Zinc-Nickel, Black |



| TABLE I: Shell Size, Cable Entry and Backshell Dimensions | | | | | | | | | | | | |
|---|-----------------|-------------------|---------|--------|-------|--------|-------|-------------|------|-------|------|--------|
| Dash No. | Shell Size Ref. | A Thread Class 2B | Ø C Max | E Max | | F Max | | Cable Entry | | | | |
| | | | | | | | | Min | | Max | | |
| 8 | 8/9 | .438 - 28 UNEF | .578 | (14.7) | .656 | (16.7) | 1.015 | (25.8) | .094 | (2.4) | .203 | (5.2) |
| 10 | 10/11 | .562 - 24 UNEF | .703 | (17.9) | .688 | (17.5) | 1.062 | (27.0) | .141 | (3.6) | .250 | (6.4) |
| 12 | 12/13 | .688 - 24 UNEF | .828 | (21.0) | .750 | (19.1) | 1.125 | (28.6) | .172 | (4.4) | .323 | (8.2) |
| 14 | 14/15 | .813 - 20 UNEF | .953 | (24.2) | .859 | (21.8) | 1.328 | (33.7) | .203 | (5.2) | .422 | (10.7) |
| 16 | 16/17 | .938 - 20 UNEF | 1.078 | (27.4) | .937 | (23.8) | 1.392 | (35.4) | .234 | (5.9) | .500 | (12.7) |
| 18 | 18/19 | 1.063 - 18 UNEF | 1.203 | (30.6) | 1.000 | (25.4) | 1.453 | (36.9) | .265 | (6.7) | .562 | (14.3) |
| 20 | 20/21 | 1.188 - 18 UNEF | 1.328 | (33.7) | 1.062 | (27.0) | 1.609 | (40.9) | .297 | (7.5) | .625 | (15.9) |
| 22 | 22/23 | 1.313 - 18 UNEF | 1.453 | (36.9) | 1.141 | (29.0) | 1.656 | (42.1) | .328 | (8.3) | .703 | (17.9) |
| 24 | 24/25 | 1.438 - 18 UNEF | 1.578 | (40.1) | 1.203 | (30.6) | 1.719 | (43.7) | .359 | (9.1) | .765 | (19.4) |

| APPLICATION NOTES | |
|-------------------|--|
| 1. | Assembly to be identified with manufacturer's name and part number, space permitting. |
| 2. | Cable Entry is defined as the accommodation entry for the wire bundle or cable. Dimensions are not intended for inspection criteria. |
| 3. | For complete dimensions, see the applicable Military Specification. |
| 4. | Metric dimensions (mm) are in parentheses. |

Dimensions in inches (millimeters) and are subject to change without notice.



AS85049/47 and MS27507 90° Strain Relief Self-Locking or Non-Self-Locking

CONNECTOR DESIGNATOR:

F MIL-DTL-38999 Series I and II

**FOR NEW DESIGN
USE AS85049/123**

**Basic
Part Number**

M85049/47

Material and Finish Designator

N = Aluminum, Electroless Nickel
S = 300 Series Steel, Passivated
W = Aluminum, 1000 Hour Cadmium
Olive Drab over Electroless Nickel

S

W

10

S = Self-Locking
Omit for Non-Self-Locking
N = Non-Detented, Self-Locking

Dash No.

Superseded Part Number

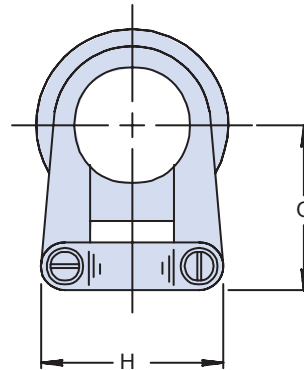
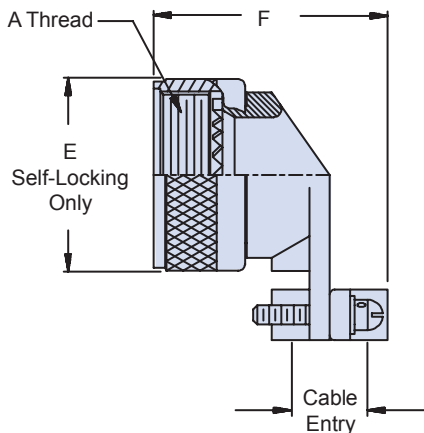
MS27507-B 10

**Basic Part No.
(Non-Self-
Locking)**

Dash No.

Metal and Finish Designator

A = Aluminum Cadmium Olive Drab over Electroless Nickel
C = Aluminum, Cadmium Olive Drab
N = Aluminum, Electroless Nickel
D = 300 Series Steel, Cadmium Black Plate
S = 300 Series Steel, Passivate



APPLICATION NOTES

1. Assembly to be identified with manufacturer's name and part number, space permitting.
2. Cable Entry is defined as the accommodation entry for the wire bundle or cable.
3. Dimensions are not intended for inspection criteria.
4. For complete dimensions, see the applicable Military Specification.
5. Metric dimensions (mm) are in parentheses.

TABLE I: Shell Size, Cable Entry and Backshell Dimensions

| Dash No. | Shell Size Ref. | A Thread Class 2B | Ø E Max | | F Max | | G Max | | H Max | | Cable Entry | | | |
|----------|-----------------|-------------------|---------|--------|-------|--------|-------|--------|-------|--------|-------------|--------|------|--------|
| | | | | | | | | | | | Min | Max | | |
| 8 | 8/9 | .438 - 28 UNEF | .86 | (21.8) | 1.38 | (35.1) | 1.00 | (25.4) | .85 | (21.6) | .098 | (2.5) | .234 | (5.9) |
| 10 | 10/11 | .562 - 24 UNEF | .98 | (24.9) | 1.38 | (35.1) | 1.10 | (27.9) | .90 | (22.9) | .153 | (3.9) | .234 | (5.9) |
| 12 | 12/13 | .688 - 24 UNEF | 1.16 | (29.5) | 1.46 | (37.1) | 1.10 | (27.9) | 1.10 | (27.9) | .190 | (4.8) | .328 | (8.3) |
| 14 | 14/15 | .813 - 20 UNEF | 1.28 | (32.5) | 1.63 | (41.4) | 1.25 | (31.8) | 1.15 | (29.2) | .260 | (6.6) | .457 | (11.6) |
| 16 | 16/17 | .938 - 20 UNEF | 1.41 | (35.8) | 1.80 | (45.7) | 1.30 | (33.0) | 1.30 | (33.0) | .283 | (7.2) | .614 | (15.6) |
| 18 | 18/19 | 1.063 - 18 UNEF | 1.52 | (38.6) | 1.82 | (46.2) | 1.35 | (34.3) | 1.50 | (38.1) | .325 | (8.3) | .634 | (16.1) |
| 20 | 20/21 | 1.188 - 18 UNEF | 1.64 | (41.7) | 1.90 | (48.3) | 1.60 | (40.6) | 1.60 | (40.6) | .343 | (8.7) | .698 | (17.7) |
| 22 | 22/23 | 1.313 - 18 UNEF | 1.77 | (45.0) | 2.04 | (51.8) | 1.75 | (44.5) | 1.70 | (43.2) | .381 | (9.7) | .823 | (20.9) |
| 24 | 24/25 | 1.438 - 18 UNEF | 1.89 | (48.0) | 2.15 | (54.6) | 1.85 | (47.0) | 1.80 | (45.7) | .418 | (10.6) | .853 | (21.7) |

Dimensions in inches (millimeters) and are subject to change without notice.

AS85049/48-1
Rectangular Backshells
MIL-DTL-24308



AS85049

B

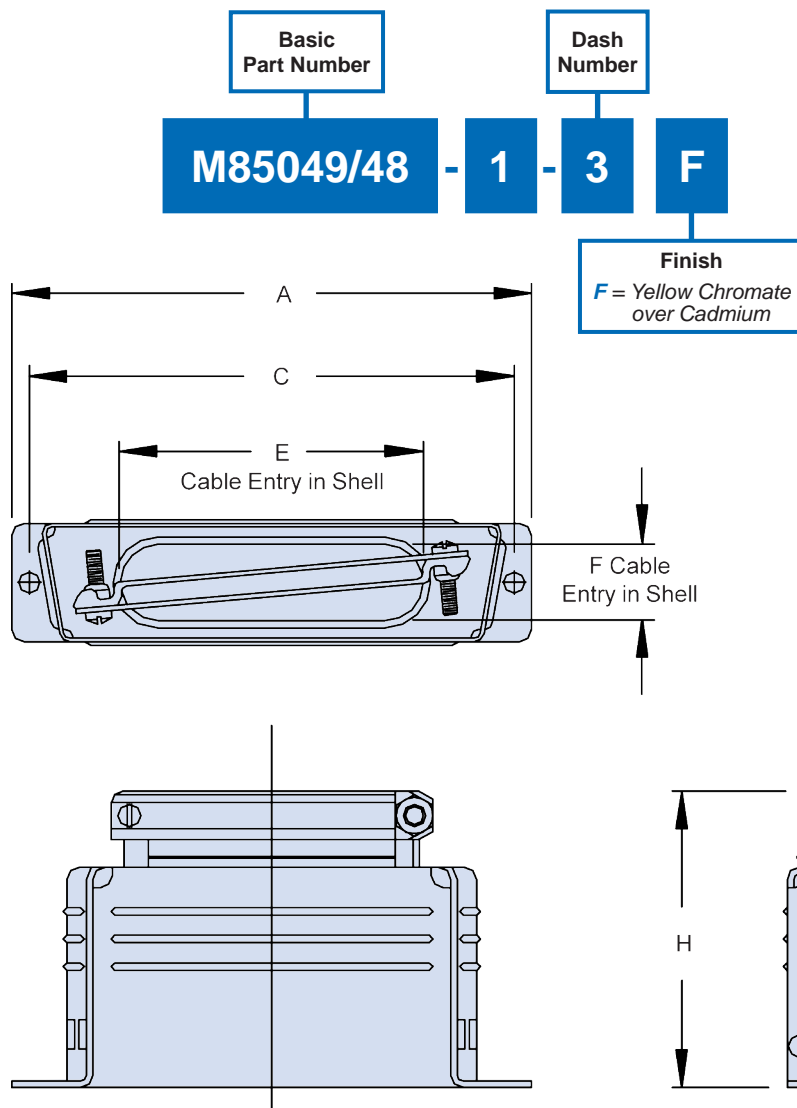


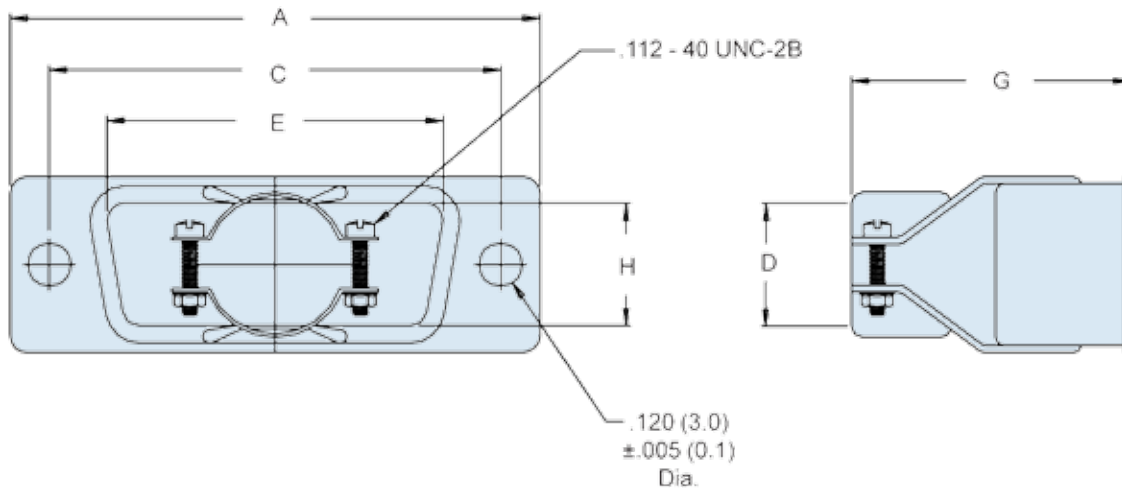
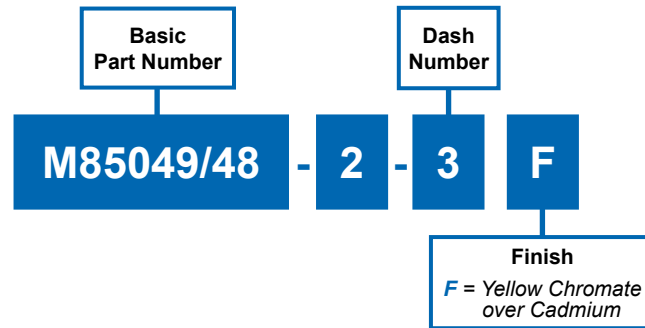
TABLE I: Dash Number and Backshell Dimensions

| Dash No. | A ± .015 (0.4) | C ± .005 (.13) | E ± .015 (0.4) | F ± .015 (0.4) | G ± .015 (0.4) | H Max |
|----------|-------------------|-------------------|-------------------|-------------------|-------------------|--------------|
| 1 | 1.203 (30.6) | .984 (25.0) | .375 (9.5) | .375 (9.5) | .750 (19.1) | 1.250 (31.8) |
| 2 | 1.531 (38.9) | 1.312 (33.3) | .713 (18.1) | .312 (7.9) | .750 (19.1) | 1.250 (31.8) |
| 3 | 2.078 (52.8) | 1.852 (47.0) | 1.000 (25.4) | .312 (7.9) | 1.000 (25.4) | 1.563 (39.7) |
| 4 | 2.718 (69.0) | 2.500 (63.5) | 1.375 (34.9) | .312 (7.9) | 1.000 (25.4) | 1.563 (39.7) |
| 5 | 2.625 (66.7) | 2.406 (61.1) | 1.406 (35.7) | .406 (10.3) | 1.125 (28.6) | 1.688 (42.9) |

APPLICATION NOTES

1. Assembly identified with manufacturer's name and part number, space permitting.
2. For complete dimensions, see the applicable Military Specification.
3. Metric dimensions (mm) are in parentheses.

Dimensions in inches (millimeters) and are subject to change without notice.


APPLICATION NOTES

1. Assembly identified with manufacturer's name and part number, space permitting.
2. For complete dimensions, see the applicable Military Specification.
3. Metric dimensions (mm) are in parentheses.

TABLE I: Dash Number and Backshell Dimensions

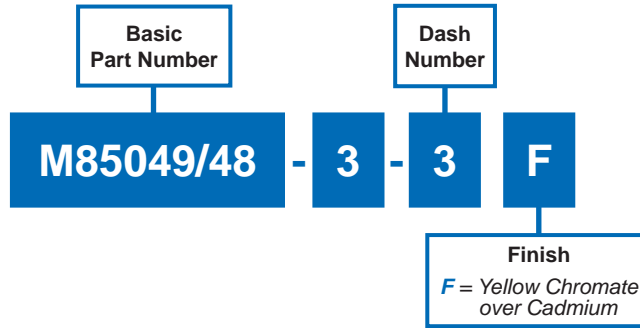
| Dash No. | Nonmagnetic (Brass) | A $\pm .015 (0.4)$ | C $\pm .005 (.13)$ | D | E $\pm .015 (0.4)$ | G $\pm .030 (0.8)$ | H $\pm .015 (0.4)$ |
|----------|---------------------|-----------------------|-----------------------|-------------|-----------------------|-----------------------|-----------------------|
| 1 | 6 | 1.208 (30.7) | .984 (25.0) | .406 (10.3) | .661 (16.8) | 1.031 (26.2) | .344 (8.7) |
| 2 | 7 | 1.531 (38.9) | 1.312 (33.3) | .406 (10.3) | .984 (25.0) | 1.031 (26.2) | .344 (8.7) |
| 3 | 8 | 2.078 (52.8) | 1.852 (47.0) | .593 (15.1) | 1.515 (38.5) | 1.062 (27.0) | .344 (8.7) |
| 4 | 9 | 2.718 (69.0) | 2.500 (63.5) | .718 (18.2) | 2.171 (55.1) | 1.062 (27.0) | .344 (8.7) |
| 5 | 10 | 2.625 (66.7) | 2.406 (61.1) | .812 (20.6) | 2.093 (53.2) | 1.062 (27.0) | .438 (11.1) |

Dimensions in inches (millimeters) and are subject to change without notice.

AS85049/48-3
Rectangular Backshell
MIL-DTL-24308



AS85049



B

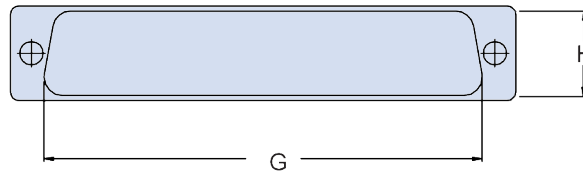
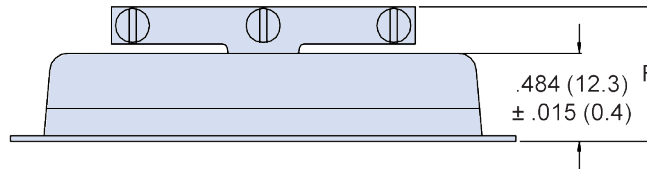
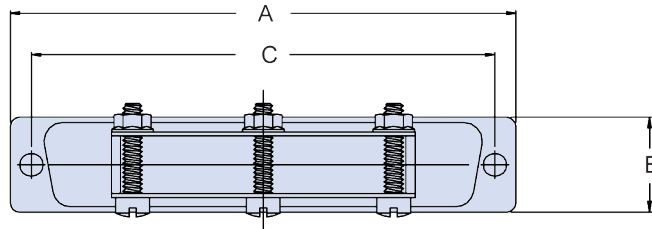


TABLE I: Dash Number and Backshell Dimensions

| Dash No. | No. of Screws | A ± .015 (0.4) | B ± .015 (0.4) | C ± .005 (0.1) | F Max | G ± .015 (0.4) | H ± .015 (0.4) |
|----------|---------------|-------------------|-------------------|-------------------|-------------|-------------------|-------------------|
| 2 | 2 | 1.531 (38.9) | .500 (12.7) | 1.312 (33.3) | .679 (17.2) | 1.091 (27.7) | .442 (11.2) |
| 3 | 2 | 2.078 (52.8) | .500 (12.7) | 1.852 (47.0) | .679 (17.2) | 1.631 (41.4) | .442 (11.2) |
| 4 | 3 | 2.718 (69.0) | .500 (12.7) | 2.500 (63.5) | .679 (17.2) | 2.282 (58.0) | .442 (11.2) |
| 5 | 3 | 2.625 (66.7) | .609 (15.5) | 2.406 (61.1) | .724 (18.4) | 2.205 (56.0) | .565 (14.4) |

APPLICATION NOTES

1. Assembly identified with manufacturer's name and part number, space permitting.
2. For complete dimensions, see the applicable Military Specification.
3. Metric dimensions (mm) are in parentheses.

Dimensions in inches (millimeters) and are subject to change without notice.



AS85049/49-2 and MS27506

Straight Strain Relief

Self-Locking or Non-Self-Locking

CONNECTOR DESIGNATOR:

F MIL-DTL-27599,
MIL-DTL-38999 Series I & II

**FOR NEW DESIGN
USE AS85049/121**

Basic
Part Number

M85049/49-2

Dash No.

S

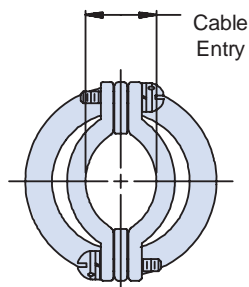
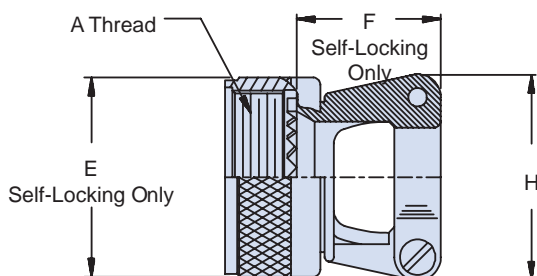
10

W

S = Self-Locking
Use Dash for Non-Self-Locking
N = Non-Detented

Material and Finish Designator

A = Aluminum, Black Anodize
N = Aluminum, Electroless Nickel
S = 300 Series Steel, Passivated
W = Aluminum, 1000 Hour Cadmium
Olive Drab over Electroless Nickel



Note: Screw orientation shown is for non-self-locking configuration. Screws on self-locking configurations are on the same side/face of the clamp.

TABLE I: Shell Size, Cable Entry and Backshell Dimensions

| Shell Size | Shell Size Ref. | A Thread Class 2B | Ø E Max | | F Max | | H Max | | Cable Entry | | | |
|------------|-----------------|-------------------|-------------------|--------|-------------------|--------|-------|--------|-------------|--------|------|--------|
| | | | Self-Locking Only | | Self-Locking Only | | Min | Max | Min | Max | | |
| 8 | 8/9 | .438 - 28 UNEF | .86 | (21.8) | .91 | (23.1) | .85 | (21.6) | .098 | (2.5) | .234 | (5.9) |
| 10 | 10/11 | .562 - 24 UNEF | .98 | (24.9) | .91 | (23.1) | .90 | (22.9) | .153 | (3.9) | .234 | (5.9) |
| 12 | 12/13 | .688 - 24 UNEF | 1.16 | (29.5) | 1.01 | (25.7) | 1.10 | (27.9) | .190 | (4.8) | .328 | (8.3) |
| 14 | 14/15 | .813 - 20 UNEF | 1.28 | (32.5) | 1.06 | (26.9) | 1.15 | (29.2) | .260 | (6.6) | .457 | (11.6) |
| 16 | 16/17 | .938 - 20 UNEF | 1.41 | (35.8) | 1.16 | (29.5) | 1.30 | (33.0) | .283 | (7.2) | .614 | (15.6) |
| 18 | 18/19 | 1.063 - 18 UNEF | 1.52 | (38.6) | 1.41 | (35.8) | 1.50 | (38.1) | .325 | (8.3) | .634 | (16.1) |
| 20 | 20/21 | 1.188 - 18 UNEF | 1.64 | (41.7) | 1.51 | (38.4) | 1.60 | (40.6) | .343 | (8.7) | .698 | (17.7) |
| 22 | 22/23 | 1.313 - 18 UNEF | 1.77 | (45.0) | 1.66 | (42.2) | 1.70 | (43.2) | .381 | (9.7) | .823 | (20.9) |
| 24 | 24/25 | 1.438 - 18 UNEF | 1.89 | (48.0) | 1.76 | (44.7) | 1.80 | (45.7) | .418 | (10.6) | .853 | (21.7) |

APPLICATION NOTES

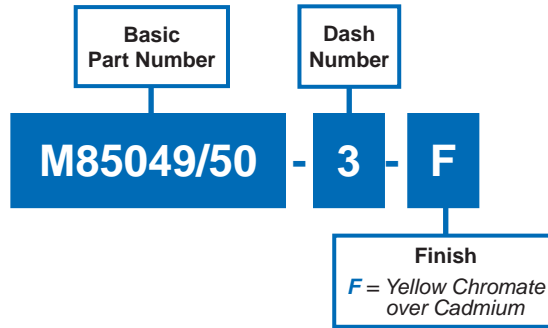
1. Assembly to be identified with manufacturer's name and part number, space permitting.
2. Cable Entry is defined as the accommodation entry for the wire bundle or cable. Dimensions are not intended for inspection criteria.
3. For complete dimensions, see the applicable Military Specification.
4. Metric dimensions (mm) are in parentheses.

Dimensions in inches (millimeters) and are subject to change without notice.

AS85049/50
Rectangular Backshell
MIL-DTL-24308



AS85049



B

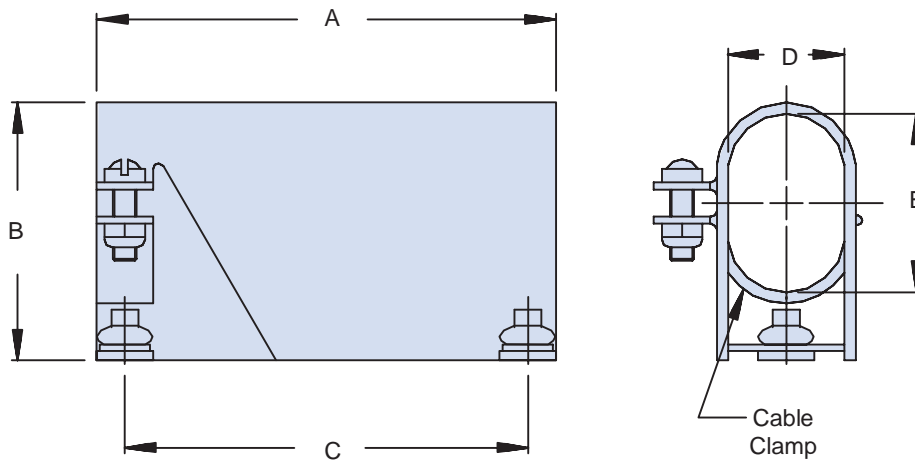


TABLE I: Dash Number and Backshell Dimensions

| Dash No. | A ± .015 (0.4) | B ± .030 (0.8) | C ± .005 (0.1) | D Max | E .030 (0.8) |
|----------|-------------------|-------------------|-------------------|-------------|-----------------|
| 1 | 1.203 (30.6) | .718 (18.2) | .984 (25.0) | .467 (11.9) | .437 (11.1) |
| 2 | 1.531 (38.9) | .718 (18.2) | 1.312 (33.3) | .467 (11.9) | .437 (11.1) |
| 3 | 2.078 (52.8) | .968 (24.6) | 1.852 (47.0) | .467 (11.9) | .625 (15.9) |
| 4 | 2.718 (69.0) | 1.187 (30.1) | 2.500 (63.5) | .467 (11.9) | .812 (20.6) |
| 5 | 2.625 (66.7) | 1.250 (31.8) | 2.406 (61.1) | .592 (15.0) | .906 (23.0) |

- APPLICATION NOTES**
1. Assembly identified with manufacturer's name and part number, space permitting.
 2. For complete dimensions, see the applicable Military Specification.
 3. Metric dimensions (mm) are in parentheses.

Dimensions in inches (millimeters) and are subject to change without notice.



AS85049/51 and MS3418 90° Strain Relief Self-Locking or Non-Self-Locking

CONNECTOR DESIGNATOR:

A

AS50151 Series AS34001 Crimp,
MIL-DTL-26482 Series II,
SAE-AS1703 Crimp Series III,
MIL-DTL-83723 Series I & III

Basic
Part Number

M85049/51

Dash No.

S

10

W

FOR NEW DESIGN
USE AS85049/120

Superseded Part Number

MS3418-10 C

Basic
Part No.
(Non-Self-
Locking)

Dash
No.

Metal and Finish Designator
A = Aluminum 1000 Hour Cadmium Olive
Drab over Electroless Nickel
C = Aluminum, Cadmium Olive Drab
G = Aluminum Black Anodize
N = Aluminum, Electroless Nickel

S = Self-Locking
-1 = Non-Self-Locking
N = Non-Detented

Material and Finish Designator
A = Aluminum, Black Anodize
N = Aluminum, Electroless Nickel
S = Stainless Steel, Passivate
W = Aluminum, 1000 Hr. Cadmium O.D.
over Electroless Nickel

APPLICATION NOTES

1. Assembly to be identified with manufacturer's name and part number, space permitting.
2. Cable Entry is defined as the accommodation entry for the wire bundle or cable.
3. Dimensions are not intended for inspection criteria.
4. For complete dimensions, see the applicable Military Specification.
5. Metric dimensions (mm) are in parentheses.

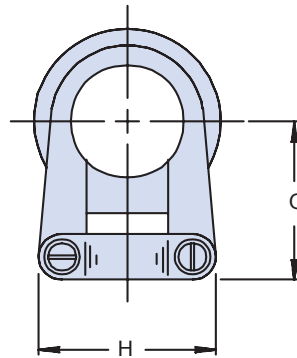
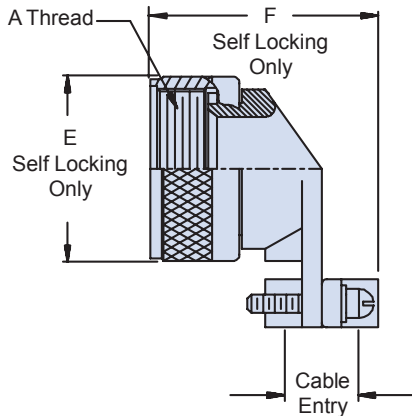


TABLE I: Shell Size, Cable Entry and Backshell Dimensions

| Dash No. | A Thread Class 2B | Ø E Max | | F Max | | G | | H Max | Cable Entry | | | | |
|----------|-------------------|--------------|--------|--------------|--------|-------|--------|-------|-------------|-------|--------|-------|--------|
| | | Self-Locking | | Self-Locking | | ±.062 | (1.6) | | Min | Max | | | |
| 3*+ | .562 - 24 UNEF | - | - | - | - | .777 | (19.7) | .782 | (19.9) | .125 | (3.2) | .204 | (5.2) |
| 8 | .500 - 20 UNF | .885 | (22.5) | 1.257 | (31.9) | .746 | (18.9) | .782 | (19.9) | .125 | (3.2) | .204 | (5.2) |
| 10 | .625 - 24 UNEF | 1.010 | (25.7) | 1.339 | (34.0) | .805 | (20.4) | .862 | (21.9) | .187 | (4.7) | .286 | (7.3) |
| 12 | .750 - 20 UNEF | 1.135 | (28.8) | 1.532 | (38.9) | .867 | (22.0) | 1.003 | (25.5) | .291 | (7.4) | .416 | (10.6) |
| 14 | .875 - 20 UNEF | 1.260 | (32.0) | 1.592 | (40.4) | .930 | (23.6) | 1.061 | (26.9) | .351 | (8.9) | .476 | (12.1) |
| 16 | 1.000 - 20 UNEF | 1.385 | (35.2) | 1.741 | (44.2) | .994 | (25.2) | 1.334 | (33.9) | .501 | (12.7) | .626 | (15.9) |
| 18 | 1.062 - 18 UNEF | 1.510 | (38.4) | 1.853 | (47.1) | 1.171 | (29.7) | 1.466 | (37.2) | .518 | (13.2) | .706 | (17.9) |
| 20 | 1.188 - 18 UNEF | 1.635 | (41.5) | 1.978 | (50.2) | 1.234 | (31.2) | 1.572 | (39.9) | .581 | (14.8) | .831 | (21.1) |
| 22 | 1.313 - 18 UNEF | 1.760 | (44.7) | 2.108 | (53.5) | 1.296 | (32.9) | 1.688 | (42.9) | .644 | (16.4) | .956 | (24.3) |
| 24 | 1.438 - 18 UNEF | 1.885 | (47.9) | 2.228 | (56.6) | 1.358 | (34.5) | 1.790 | (45.5) | .706 | (17.9) | 1.081 | (27.5) |
| 28+ | 1.750 - 18 UNS | 2.135 | (54.2) | 2.528 | (64.2) | 1.572 | (39.9) | 2.035 | (51.7) | .750 | (19.1) | 1.187 | (30.1) |
| 32+ | 2.000 - 18 UNS | 2.395 | (60.8) | 2.591 | (65.8) | 1.797 | (45.6) | 2.386 | (60.6) | .875 | (22.2) | 1.250 | (31.8) |
| 36+ | 2.250 - 16 UN | 2.635 | (66.9) | 2.716 | (69.0) | 1.922 | (48.8) | 2.496 | (63.4) | .938 | (23.8) | 1.375 | (34.9) |
| 40+ | 2.500 - 16 UN | 2.885 | (73.3) | 2.841 | (72.2) | 2.047 | (52.0) | 2.566 | (65.2) | .938 | (23.8) | 1.500 | (38.1) |
| 44+ | 2.750 - 16 UN | 3.135 | (79.6) | 3.091 | (78.5) | 2.296 | (58.3) | 2.860 | (72.6) | 1.188 | (30.2) | 1.750 | (44.5) |
| 48+ | 3.000 - 16 UN | 3.385 | (86.0) | 3.216 | (81.7) | 2.421 | (61.5) | 3.344 | (84.9) | 1.312 | (33.3) | 1.875 | (47.6) |
| 61*+ | 1.500 - 18 UNEF | - | - | - | - | 1.388 | (35.3) | 1.775 | (45.1) | .706 | (17.9) | 1.081 | (27.5) |

* Not Available in Self Locking + Not Available under M83723/15A

Dimensions in inches (millimeters) and are subject to change without notice.

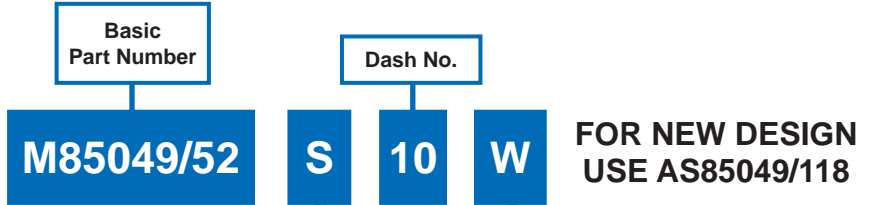
AS85049/52 and MS3417 Straight Strain Relief Self-Locking or Non-Self-Locking



AS85049

B

| CONNECTOR DESIGNATOR: | |
|-----------------------|---|
| A | AS50151 Series AS34001 Crimp, MIL-DTL-26482 Series II, SAE-AS1703 Crimp Series III, MIL-DTL-83723 Series I & III |



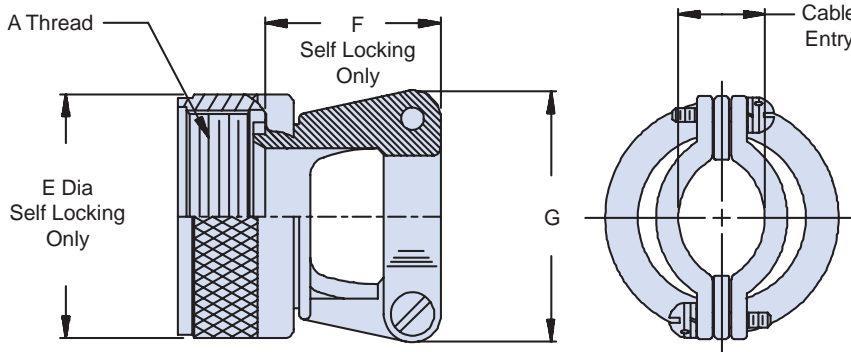
| Superseded Part Number | | |
|--------------------------------------|----------|---|
| MS3417-10 A | | |
| Basic Part No. (Non-Self-Locking) | Dash No. | Metal and Finish Designator |
| | | A = Aluminum 1000 Hour Cadmium Olive Drab over Electroless Nickel C = Aluminum, Cadmium Olive Drab G = Aluminum Black Anodize N = Aluminum, Electroless Nickel |

S = Self-Locking
-1 = Non-Self-Locking
N = Non-Detented

Material and Finish Designator
A = Aluminum, Black Anodize
N = Aluminum, Electroless Nickel
S = Stainless Steel, Passivate
W = Aluminum, 1000 Hr. Cadmium O.D. over Electroless Nickel

APPLICATION NOTES

1. Assembly to be identified with manufacturer's name and part number, space permitting.
2. Cable Entry is defined as the accommodation entry for the wire bundle or cable.
3. Dimensions are not intended for inspection criteria.
4. For complete dimensions, see the applicable Military Specification.
5. Metric dimensions (mm) are in parentheses.



| Dash No. | A Thread Class 2B | Ø E Max | | F Max | | G Max | Cable Entry | | | |
|----------|-------------------|--------------|---|--------------|---|--------------|--------------|--------------|--|--|
| | | Self-Locking | | Self-Locking | | | Min | Max | | |
| 3*+ | .562 - 24 UNEF | - | - | - | - | .782 (19.9) | .125 (3.2) | .204 (5.2) | | |
| 8 | .500 - 20 UNF | .885 (22.5) | | .73 (18.5) | | .782 (19.9) | .125 (3.2) | .204 (5.2) | | |
| 10 | .625 - 24 UNEF | 1.010 (25.7) | | .85 (21.6) | | .862 (21.9) | .187 (4.7) | .286 (7.3) | | |
| 12 | .750 - 20 UNEF | 1.135 (28.8) | | .98 (24.9) | | 1.003 (24.6) | .291 (7.4) | .416 (10.6) | | |
| 14 | .875 - 20 UNEF | 1.260 (32.0) | | .98 (24.9) | | 1.061 (25.5) | .351 (8.9) | .476 (12.1) | | |
| 16 | 1.000 - 20 UNEF | 1.385 (35.2) | | 1.10 (27.9) | | 1.234 (26.9) | .501 (12.7) | .626 (15.9) | | |
| 18 | 1.062 - 18 UNEF | 1.510 (38.4) | | 1.35 (34.3) | | 1.466 (35.4) | .518 (13.2) | .706 (17.9) | | |
| 20 | 1.188 - 18 UNEF | 1.635 (41.5) | | 1.98 (50.3) | | 1.572 (37.2) | .581 (14.8) | .831 (21.1) | | |
| 22 | 1.313 - 18 UNEF | 1.760 (44.7) | | 2.73 (69.3) | | 1.688 (39.9) | .644 (16.4) | .956 (24.3) | | |
| 24 | 1.438 - 18 UNEF | 1.885 (47.9) | | 2.88 (73.2) | | 1.790 (43.1) | .706 (17.9) | 1.081 (27.5) | | |
| 28+ | 1.750 - 18 UNS | 2.135 (54.2) | | 2.528 (64.2) | | 2.035 (45.5) | .750 (19.1) | 1.187 (30.1) | | |
| 32+ | 2.000 - 18 UNS | 2.395 (60.8) | | 2.591 (65.8) | | 2.386 (51.7) | .875 (22.2) | 1.250 (31.8) | | |
| 36+ | 2.250 - 16 UN | 2.635 (66.9) | | 2.13 (54.1) | | 2.446 (60.6) | .938 (23.8) | 1.375 (34.9) | | |
| 40+ | 2.500 - 16 UN | 2.885 (73.3) | | 2.44 (62.0) | | 2.566 (65.2) | .938 (23.8) | 1.500 (38.1) | | |
| 44+ | 2.750 - 16 UN | 3.135 (79.6) | | 3.00 (76.2) | | 2.860 (72.6) | 1.188 (30.2) | 1.750 (44.5) | | |
| 48+ | 3.000 - 16 UN | 3.385 (86.0) | | 3.40 (86.4) | | 3.344 (84.9) | 1.312 (33.3) | 1.875 (47.6) | | |
| 61*+ | 1.500 - 18 UNEF | - | - | - | - | 1.775 (45.1) | .706 (17.9) | 1.081 (27.5) | | |

* Not Available in Self Locking + Not Available under M83723/15S

Dimensions in inches (millimeters) and are subject to change without notice.

CONNECTOR DESIGNATOR:

A

AS50151 Series AS34001
MIL-DTL-26482 Series II
AS81703 Series III
MIL-DTL-83723 Series I and III
40M39569, DEF 5326-3, EN2997
EN3646, ESC 10, ESC 11, LN 29504
NFC93422 Series HE302
PAN 6432-1, PAN 6432-2, PATT 602

Configuration

— = Non-Self-Locking
G = Non-Self-Locking with Ground Lug*
S = Detented, Self-Locking*
T = Detented, Self-Locking with Ground Lug
N = Non-Detented, Self-Locking
H = Non-Detented, Self-Locking with Ground Lug
*Configuration Options G and S are available only with AS85049/55

Finish

A = Anodize, Black
N = Electroless Nickel
W = 1,000 Hour Cadmium Olive Drab over Electroless Nickel
X = Nickel Fluorocarbon Polymer
Y = Pure Dense Electrodeposited Aluminum
Z = Zinc-Nickel, Black

Shell Size

M85049/55

G

22

N

OPTIONAL SELF-LOCKING COUPLING

Basic Part Number

M85049/53 = Straight
M85049/54 = 45°
M85049/55 = 90°

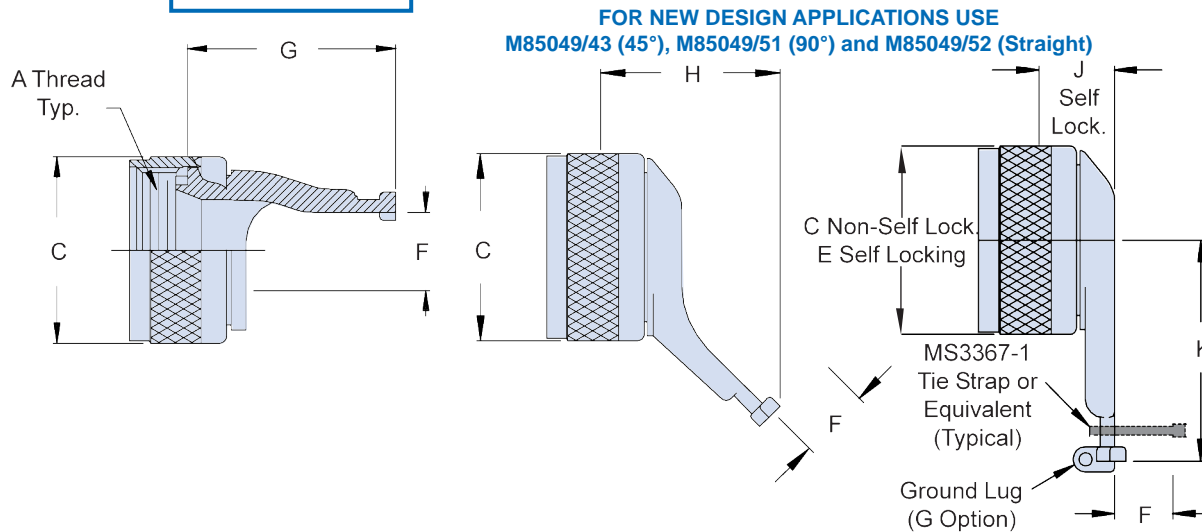


TABLE I: Shell Size, Thread, Cable Entry and Backshell Dimensions

| Shell Size | A Thread Class 2B | C Dia Max | E Dia Max | F Cable Entry | G Max | H Max | J Max | K Max |
|------------|-------------------|--------------|--------------|---------------|--------------|--------------|-------------|--------------|
| 03 | 562 - 24 UNEF | .780 (19.8) | 1.010 (25.7) | .260 (6.6) | .954 (24.0) | 1.232 (31.3) | .730 (18.5) | 1.290 (32.8) |
| 08 | .500 - 20 UNF | .660 (16.8) | .890 (22.6) | .260 (6.6) | .954 (24.0) | 1.232 (31.3) | .730 (18.5) | 1.290 (31.0) |
| 10 | .625 - 24 UNEF | .780 (19.8) | 1.010 (25.7) | .365 (9.3) | .954 (24.0) | 1.232 (31.3) | .730 (18.5) | 1.290 (32.8) |
| 12 | .750 - 20 UNEF | .940 (23.9) | 1.140 (29.0) | .501 (12.7) | .954 (24.0) | 1.232 (31.3) | .730 (18.5) | 1.620 (41.1) |
| 14 | .875 - 20 UNEF | 1.050 (26.7) | 1.260 (32.0) | .575 (14.6) | 1.204 (30.6) | 1.232 (31.3) | .730 (18.5) | 1.660 (42.2) |
| 16 | 1.000 - 20 UNEF | 1.240 (31.5) | 1.390 (35.3) | .700 (17.8) | 1.204 (30.6) | 1.232 (31.3) | .730 (18.5) | 1.720 (43.7) |
| 18 | 1.062 - 18 UNEF | 1.380 (35.1) | 1.510 (38.4) | .779 (19.8) | 1.204 (30.6) | 1.232 (31.3) | .730 (18.5) | 1.720 (43.7) |
| 20 | 1.188 - 18 UNEF | 1.500 (38.1) | 1.640 (41.7) | .904 (23.0) | 1.310 (33.3) | 1.482 (37.6) | .750 (19.1) | 1.790 (45.5) |
| 22 | 1.313 - 18 UNEF | 1.630 (41.4) | 1.760 (44.7) | 1.029 (26.1) | 1.430 (36.3) | 1.482 (37.6) | .750 (19.1) | 1.850 (47.0) |
| 24 | 1.438 - 18 UNEF | 1.750 (44.5) | 1.890 (48.0) | 1.144 (29.1) | 1.560 (39.6) | 1.482 (37.6) | .750 (19.1) | 1.910 (48.5) |
| 28 | 1.750 - 18 UNS | 1.970 (50.0) | 2.140 (54.4) | 1.379 (35.0) | 1.560 (39.6) | 1.469 (37.3) | .750 (19.1) | 2.060 (52.3) |

APPLICATION NOTES

1. Assembly identified with manufacturer's name and part number, space permitting.
2. For complete dimensions, see the applicable Military Specification.
3. Cable entry is defined as the accommodation range for the wire bundle or cable. Dimensions shown are not intended for inspection criteria.
4. Metric dimensions (mm) are in parentheses.

Dimensions in inches (millimeters) and are subject to change without notice.

AS85049/56 and AS85049/57
Straight and 45° Qwik-Ty Strain Reliefs
 Optional Self-Locking • Optional Ground Lug



AS85049

B

CONNECTOR DESIGNATOR:
F MIL-DTL-38999 Series I and II

Configuration
N = Non-Detented
G = Self-Locking with Ground Lug
H = Non-Detented with Ground Lug
S = Self-Locking without Ground Lug
 — = Non Self-Locking

Finish
A = Anodize, Black
N = Electroless Nickel
W = 1,000 Hour Cadmium Olive Drab over Electroless Nickel
X = Nickel Fluorocarbon Polymer
Y = Pure Dense Electrodeposited Aluminum
Z = Zinc-Nickel, Black

Basic Part Number
M85049/56 = Straight
M85049/57 = 45°

M85049/57

G

16

W

OPTIONAL SELF-LOCKING COUPLING

Shell Size

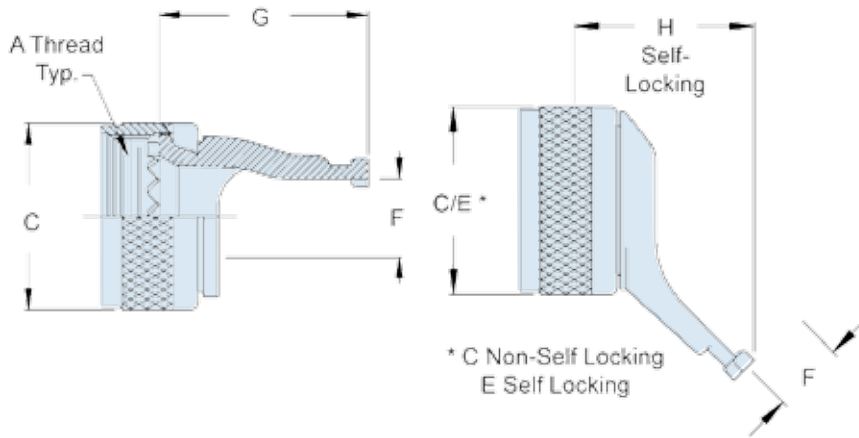


TABLE I: Shell Size, Thread, Cable Entry and Backshell Dimensions

| Shell Size Series II | Series I Shell Size Ref. | A Thread Class 2B | C Dia Max | E Dia Max | F Cable Entry | G Max | H Max |
|----------------------|--------------------------|-------------------|--------------|--------------|---------------|--------------|--------------|
| 8 | 9 | .438-28 UNEF | .750 (19.1) | .860 (21.8) | .264 (6.7) | .895 (22.7) | 1.210 (30.7) |
| 10 | 11 | .562-24 UNEF | .850 (21.6) | .980 (24.9) | .392 (10.0) | .895 (22.7) | 1.210 (30.7) |
| 12 | 13 | .688-24 UNEF | 1.000 (25.4) | 1.160 (29.5) | .506 (12.9) | .955 (24.3) | 1.390 (35.3) |
| 14 | 15 | .813-20 UNEF | 1.100 (27.9) | 1.280 (32.5) | .631 (16.0) | 1.135 (28.8) | 1.390 (35.3) |
| 16 | 17 | .938-20 UNEF | 1.250 (31.8) | 1.410 (35.8) | .756 (19.2) | 1.135 (28.8) | 1.390 (35.3) |
| 18 | 19 | 1.063-18 UNEF | 1.400 (35.6) | 1.520 (38.6) | .845 (21.5) | 1.195 (30.4) | 1.390 (35.3) |
| 20 | 21 | 1.188-18 UNEF | 1.500 (38.1) | 1.640 (41.7) | .970 (24.6) | 1.325 (33.7) | 1.390 (35.3) |
| 22 | 23 | 1.313-18 UNEF | 1.650 (41.9) | 1.770 (45.0) | 1.095 (27.8) | 1.445 (36.7) | 1.390 (35.3) |
| 24 | 25 | 1.438-18 UNEF | 1.750 (44.5) | 1.890 (48.0) | 1.220 (31.0) | 1.585 (40.3) | 1.390 (35.3) |

- APPLICATION NOTES**
1. Assembly identified with manufacturer's name and part number, space permitting.
 2. For complete dimensions, see the applicable Military Specification.
 3. Cable entry is defined as the accommodation range for the wire bundle or cable. Dimensions shown are not intended for inspection criteria.
 4. Metric dimensions (mm) are in parentheses.

Dimensions in inches (millimeters) and are subject to change without notice.

CONNECTOR DESIGNATOR:

F MIL-DTL-38999 Series I and II

Basic Part Number

Dash Number

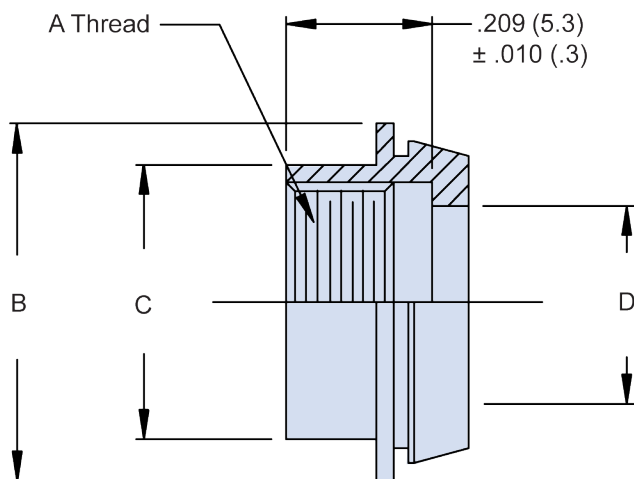
M85049/58 - 10


TABLE I: Dash Number, Shell Size and Dimensions

| Dash No. | Shell Size (Ref) | A Thread UNEF-2B | B Dia Max | C Dia Max | D Dia ±.005 (.1) |
|----------|------------------|------------------|--------------|--------------|------------------|
| 8 | 8/9 | .4375-28 | .600 (15.2) | .506 (12.9) | .344 (8.7) |
| 10 | 10/11 | .5625-24 | .726 (18.4) | .631 (16.0) | .472 (12.0) |
| 12 | 12/13 | .6875-24 | .850 (21.6) | .756 (19.2) | .586 (14.9) |
| 14 | 14/15 | .8125-20 | .976 (24.8) | .881 (22.4) | .711 (18.1) |
| 16 | 16/17 | .9375-20 | 1.012 (25.7) | 1.006 (25.6) | .836 (21.2) |
| 18 | 18/19 | 1.0625-18 | 1.226 (31.1) | 1.131 (28.7) | .942 (23.9) |
| 20 | 20/21 | 1.1875-18 | 1.352 (34.3) | 1.256 (31.9) | 1.067 (27.1) |
| 22 | 22/23 | 1.3125-18 | 1.476 (37.5) | 1.381 (35.1) | 1.192 (30.3) |
| 24 | 24/25 | 1.4375-18 | 1.602 (40.7) | 1.506 (38.3) | 1.317 (33.5) |

APPLICATION NOTES

- For complete dimensions see the applicable Military Specification.
- Finish: 500-Hour Cadmium Olive Drab over Electroless Nickel.
- See Pages 30-5 and 68-14 or the AS85049/75 Potting Boot which can be used with this potting ring.
- Metric dimensions (mm) are in parentheses.

Dimensions in inches (millimeters) and are subject to change without notice.

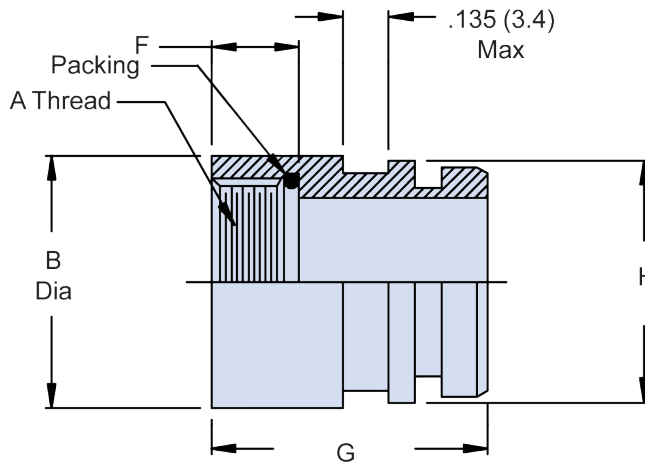
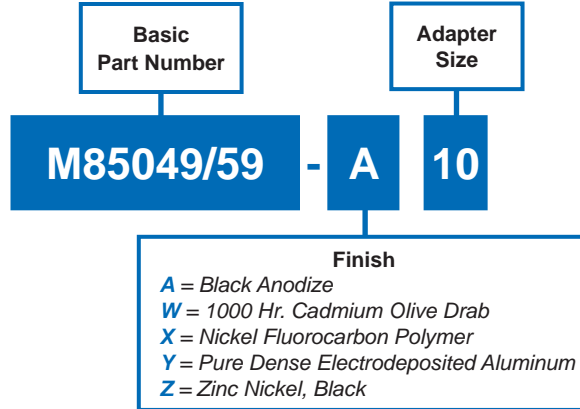
AS85049/59 Straight Shrink Boot Adapter



AS85049

B

| CONNECTOR DESIGNATOR: | |
|-----------------------|---------------|
| C | MIL-DTL-22992 |



| Adapter Size | A Thread Class 2B-LH | B Max | F ±.016 (0.4) | G ±.031 (0.8) | H Dia ±.010 (0.3) |
|--------------|----------------------|--------------|---------------|---------------|-------------------|
| 12 | .750 - 20 UNEF | .933 (23.7) | .479 (6.4) | 1.175 (29.8) | .798 (20.3) |
| 14 | .875 - 20 UNEF | 1.057 (26.8) | .479 (6.4) | 1.175 (29.8) | .922 (23.4) |
| 16 | 1.000 - 20 UNEF | 1.182 (30.0) | .479 (6.4) | 1.175 (29.8) | 1.048 (26.6) |
| 18 | 1.125 - 18 UNEF | 1.307 (33.2) | .479 (6.4) | 1.175 (29.8) | 1.172 (29.8) |
| 20 | 1.250 - 18 UNEF | 1.432 (36.4) | .479 (6.4) | 1.175 (29.8) | 1.297 (32.9) |
| 22 | 1.375 - 18 UNEF | 1.557 (39.5) | .479 (6.4) | 1.175 (29.8) | 1.423 (36.1) |
| 24 | 1.625 - 18 UNEF | 1.797 (45.6) | .479 (6.4) | 1.175 (29.8) | 1.662 (42.2) |
| 28 | 1.875 - 16 UN | 2.057 (52.2) | .479 (6.4) | 1.175 (29.8) | 1.922 (48.8) |
| 32 | 2.062 - 16 UN | 2.307 (58.6) | .479 (6.4) | 1.175 (29.8) | 2.172 (55.2) |
| 36 | 2.312 - 16 UN | 2.557 (64.9) | .479 (6.4) | 1.175 (29.8) | 2.422 (61.5) |
| 40 | 2.625 - 16 UN | 2.869 (72.9) | .667 (16.9) | 1.375 (44.9) | 2.734 (69.4) |
| 44 | 2.875 - 16 UN | 3.120 (79.2) | .667 (16.9) | 1.375 (44.9) | 2.982 (75.7) |

| | |
|----|--|
| 1. | For complete dimensions see the applicable Military Specification. |
| 2. | Metric dimensions (mm) are in parentheses. |

Dimensions in inches (millimeters) and are subject to change without notice.

CONNECTOR DESIGNATOR:
A

AS50151 Series AS34001
MIL-DTL-26482 Series II
AS81703 Series III
MIL-DTL-83723 Series I & III
40M39569, DEF 5326-3
EN 2997, EN 3646
ESC 10, ESC 11, LN 29504
NFC93422 Series HE302
PAN 6432-1, PAN 6432-2
PATT 602

B
Basic Part Number
M85049/60-1
Shell Size
W
22
Finish

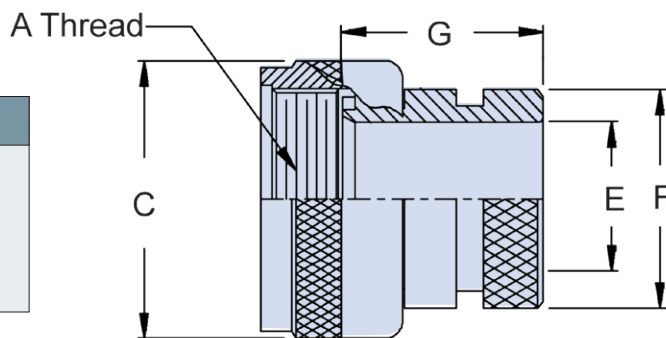
A = Black Anodize
N = Electroless Nickel
W = 1000 Hr. Cadmium Olive Drab
X = Nickel Fluorocarbon Polymer
Y = Pure Dense Electrodeposited Aluminum
Z = Zinc Nickel, Black

Superseded Part Number
Basic Part Number
MS3158
Shell Size
- 22 C

Finish
C = Cadmium Olive Drab over Electroless Nickel
N = Electroless Nickel

APPLICATION NOTES

- For complete dimensions see the applicable Military Specification.
- Metric dimensions (mm) are in parentheses.


TABLE I: Shell Size, Thread and Dimensions

| Shell Size | A Thread Class 2B | C Dia Max +.000 (0.0) -.045 (1.14) | E Min Dia | F Dia +.000 (0.0) -.020 (0.5) | G Max |
|------------|-------------------|--|--------------|-------------------------------------|-------------|
| 3 | .562 - 24 UNEF | .670 (17.0) | .250 (6.4) | .533 (13.5) | .832 (21.1) |
| 8 | .500 - 20 UNF | .620 (15.7) | .250 (6.4) | .533 (13.5) | .832 (21.1) |
| 10 | .625 - 24 UNEF | .740 (18.8) | .355 (9.0) | .605 (15.4) | .832 (21.1) |
| 12 | .750 - 20 UNEF | .860 (21.8) | .491 (12.5) | .774 (19.7) | .832 (21.1) |
| 14 | .875 - 20 UNEF | .980 (24.9) | .565 (14.4) | .838 (21.3) | .832 (21.1) |
| 16 | 1.000 - 20 UNEF | 1.110 (28.2) | .690 (17.5) | .963 (24.5) | .832 (21.1) |
| 18 | 1.062 - 18 UNEF | 1.220 (31.0) | .769 (19.5) | 1.042 (26.5) | .832 (21.1) |
| 20 | 1.188 - 18 UNEF | 1.350 (34.3) | .894 (22.7) | 1.217 (30.9) | .832 (21.1) |
| 22 | 1.313 - 18 UNEF | 1.470 (37.3) | 1.019 (25.9) | 1.355 (34.4) | .832 (21.1) |
| 24 | 1.438 - 18 UNEF | 1.590 (40.4) | 1.134 (28.8) | 1.443 (36.7) | .832 (21.1) |
| 28 | 1.750 - 18 UNS | 1.970 (50.0) | 1.369 (34.8) | 1.709 (43.4) | .994 (25.3) |
| 32 | 2.000 - 18 UNS | 2.220 (56.4) | 1.615 (41.0) | 1.919 (48.7) | .994 (25.3) |
| 36 | 2.250 - 16 UN | 2.470 (62.7) | 1.830 (46.5) | 2.169 (55.1) | .994 (25.3) |
| 40 | 2.500 - 16 UN | 2.720 (69.1) | 2.045 (51.9) | 2.402 (61.0) | .994 (25.3) |
| 44 | 2.750 - 16 UN | 2.970 (75.4) | 2.300 (58.4) | 2.657 (67.5) | .994 (25.3) |
| 48 | 3.000 - 16 UN | 3.220 (81.8) | 2.550 (64.8) | 2.907 (73.8) | .994 (25.3) |
| 61 | 1.500 - 18 UNEF | 1.650 (41.9) | 1.174 (29.8) | 1.529 (38.8) | .832 (21.1) |

Dimensions in inches (millimeters) and are subject to change without notice.

AS85049/60-2G and MS3416-G Straight Shrink Boot Adapter



AS85049

CONNECTOR DESIGNATOR:

A

AS50151 Series AS34001
MIL-DTL-26482 Series II
AS81703 Series III
MIL-DTL-83723 Series I & III
40M39569, DEF 5326-3
EN 2997, EN 3646
ESC 10, ESC 11, LN 29504
NFC93422 Series HE302
PAN 6432-1, PAN 6432-2
PATT 602

Basic Part Number

Shell Size

M85049/60-2G

22

W

Finish

A = Black Anodize
W = 1000 Hr. Cadmium Olive Drab
X = Nickel Fluorocarbon Polymer
Y = Pure Dense Electrodeposited Aluminum
Z = Zinc Nickel, Black

Superseded Part Number

Basic Part Number

Shell Size

Style

MS3416

-22

G

C

Finish

A = 1,000 Hr. Cadmium Olive Drab
C = Cadmium Olive Drab
N = Electroless Nickel

B

APPLICATION NOTES

- For complete dimensions see the applicable Military Specification.
- Metric dimensions (mm) are in parentheses.

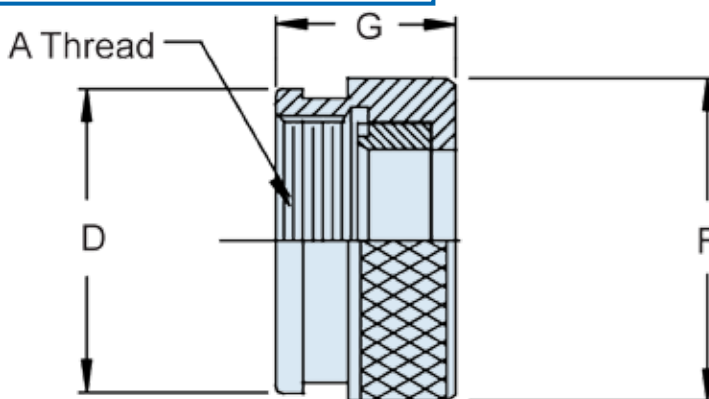


TABLE I: Shell Size, Thread and Dimensions

| Shell Size | A Thread Class 2B | D Dia +.000 (0.0) -.020 (0.5) | F Dia +.000 (0.0) -.045 (1.1) | G Max |
|------------|-------------------|-------------------------------|-------------------------------|-------------|
| 3 | .562 - 24 UNEF | .709 (18.0) | .750 (19.1) | .540 (13.7) |
| 8 | .500 - 20 UNF | .657 (16.7) | .688 (17.5) | .540 (13.7) |
| 10 | .625 - 24 UNEF | .774 (19.7) | .803 (20.4) | .540 (13.7) |
| 12 | .750 - 20 UNEF | .898 (22.8) | .938 (23.8) | .540 (13.7) |
| 14 | .875 - 20 UNEF | 1.024 (26.0) | 1.063 (27.0) | .540 (13.7) |
| 16 | 1.000 - 20 UNEF | 1.152 (29.3) | 1.238 (31.4) | .540 (13.7) |
| 18 | 1.062 - 18 UNEF | 1.243 (31.6) | 1.310 (33.3) | .540 (13.7) |
| 20 | 1.188 - 18 UNEF | 1.370 (34.8) | 1.436 (36.5) | .540 (13.7) |
| 22 | 1.313 - 18 UNEF | 1.443 (36.7) | 1.560 (39.6) | .540 (13.7) |
| 24 | 1.438 - 18 UNEF | 1.618 (41.1) | 1.686 (42.8) | .540 (13.7) |
| 28 | 1.750 - 18 UNS | 1.969 (50.0) | 2.062 (52.4) | .702 (17.8) |
| 32 | 2.000 - 18 UNS | 2.219 (56.4) | 2.312 (58.7) | .702 (17.8) |
| 36 | 2.250 - 16 UN | 2.469 (62.7) | 2.562 (65.1) | .702 (17.8) |
| 40 | 2.500 - 16 UN | 2.719 (69.1) | 2.812 (71.4) | .702 (17.8) |
| 44 | 2.750 - 16 UN | 2.969 (75.4) | 3.062 (77.8) | .702 (17.8) |
| 48 | 3.000 - 16 UN | 3.219 (81.8) | 3.312 (84.1) | .702 (17.8) |
| 61 | 1.500 - 18 UNEF | 1.653 (42.0) | 1.748 (44.4) | .540 (13.7) |

Dimensions in inches (millimeters) and are subject to change without notice.

CONNECTOR DESIGNATOR:

F MIL-DTL-27599

Basic Part Number

Dash Number

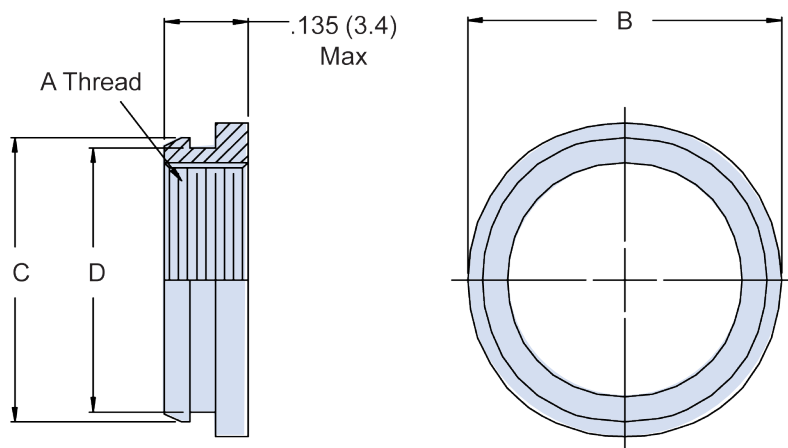
M85049/61 - 10


TABLE I: Dash Number and Dimensions

| Dash No. | Shell Size (Ref) | A Thread UNEF-2B | B Dia Max | C Dia Max | D Dia $\pm .005 (.1)$ |
|----------|------------------|------------------|--------------|--------------|-----------------------|
| 8 | 8/9 | .4375-28 | .594 (15.1) | .521 (13.2) | .476 (12.1) |
| 10 | 10/11 | .5625-24 | .734 (18.6) | .647(16.4) | .602 (15.3) |
| 12 | 12/13 | .6875-24 | .844 (21.4) | .771 (19.6) | .726 (18.4) |
| 14 | 14/15 | .8125-20 | .969 (24.6) | .897 (22.8) | .852 (21.6) |
| 16 | 16/17 | .9375-20 | 1.094 (27.8) | 1.023 (26.0) | .978 (24.8) |
| 18 | 18/19 | 1.0625-18 | 1.234 (31.3) | 1.147 (29.1) | 1.102 (28.0) |
| 20 | 20/21 | 1.1875-18 | 1.344 (34.1) | 1.273 (32.3) | 1.228 (31.2) |
| 22 | 22/23 | 1.3125-18 | 1.469 (37.3) | 1.397 (35.5) | 1.352 (34.3) |
| 24 | 24/25 | 1.4375-18 | 1.594 (40.5) | 1.524 (38.7) | 1.478 (37.5) |

APPLICATION NOTES

- For complete dimensions see the applicable Military Specification.
- Finish: 500-Hour Cadmium Olive Drab over Electroless Nickel.
- See Pages 30-4 and 68-13 for the AS85049/75 Potting Boot which can be used with this potting ring and Page 88-13
- Metric dimensions (mm) are in parentheses.

Dimensions in inches (millimeters) and are subject to change without notice.

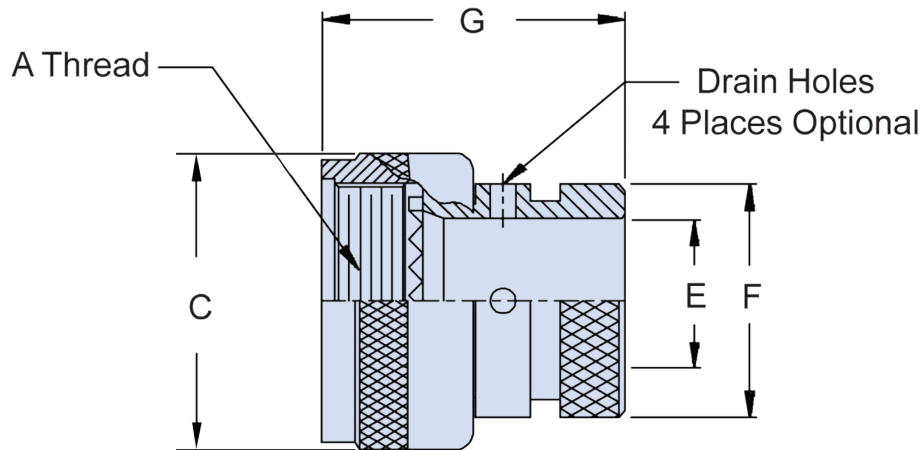
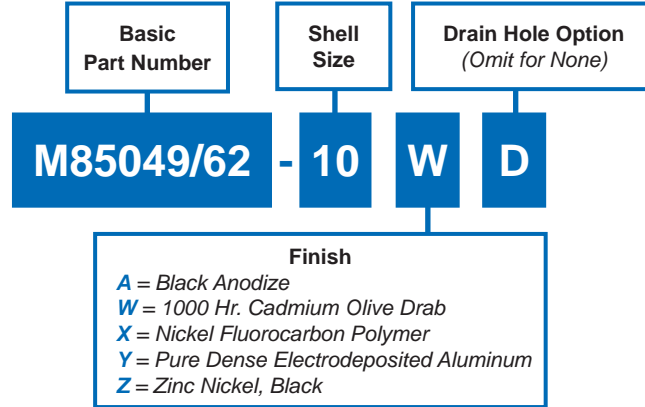
AS85049/62 and M38999/2 Straight Shrink Boot Adapter



AS85049

B

| CONNECTOR DESIGNATOR: | |
|-----------------------|---|
| F | MIL-DTL-38999 Series I & II 40M38277, PAN 6433-1 PATT 614, PATT 616 NFC93422 Series HE308 & HE309 |



| TABLE I: Shell Size, Thread and Dimensions | | | | | |
|--|-------------------|--------------|--------------|--------------|--------------|
| Shell Size | A Thread Class 2B | C Max | E Dia Min | F Dia Min | G Max |
| 08 | .438 - 28 UNEF | .750 (19.1) | .250 (6.4) | .533 (13.5) | 1.000 (25.4) |
| 10 | .562 - 24 UNEF | .850 (21.6) | .375 (9.5) | .605 (15.4) | 1.000 (25.4) |
| 12 | .688 - 24 UNEF | 1.000 (25.4) | .500 (12.7) | .774 (19.7) | 1.000 (25.4) |
| 14 | .813 - 20 UNEF | 1.100 (27.9) | .625 (15.9) | .838 (21.3) | 1.000 (25.4) |
| 16 | .938 - 20 UNEF | 1.250 (31.8) | .750 (19.1) | .963 (24.5) | 1.000 (25.4) |
| 18 | 1.063 - 18 UNEF | 1.400 (35.6) | .812 (20.6) | 1.042 (26.5) | 1.000 (25.4) |
| 20 | 1.188 - 18 UNEF | 1.500 (38.1) | .937 (23.8) | 1.217 (30.9) | 1.000 (25.4) |
| 22 | 1.313 - 18 UNEF | 1.650 (41.9) | 1.062 (27.0) | 1.355 (34.4) | 1.000 (25.4) |
| 24 | 1.438 - 18 UNEF | 1.750 (44.5) | 1.188 (30.2) | 1.443 (36.7) | 1.000 (25.4) |

| APPLICATION NOTES |
|---|
| 1. For complete dimensions see the applicable Military Specification. |
| 2. Metric dimensions (mm) are in parentheses. |

Dimensions in inches (millimeters) and are subject to change without notice.



AS85049/63

90° Qwik-Ty Strain Relief

Optional Self-Locking • Optional Ground Lug

CONNECTOR DESIGNATOR:
F MIL-DTL-38999 Series I and II

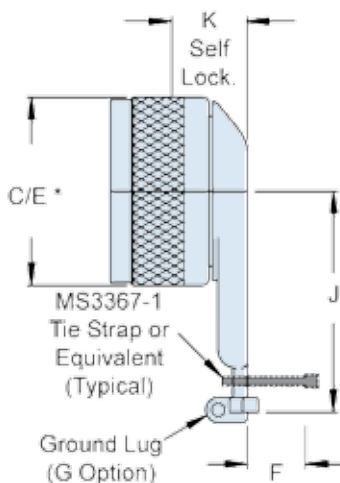
Configuration

N = Non-Detented
G = Self-Locking with Ground Lug
H = Non-Detented with Ground Lug
S = Self-Locking without Ground Lug
 — = Non Self-Locking

Finish

A = Anodize, Black
N = Electroless Nickel
W = 1,000 Hour Cadmium Olive Drab over Electroless Nickel
X = Nickel Fluorocarbon Polymer
Y = Pure Dense Electrodeposited Aluminum
Z = Zinc-Nickel, Black

Basic Part Number
 M85049/63 = 90°

M85049/63
G
16
W
**OPTIONAL
 SELF-LOCKING
 COUPLING**
**Shell
 Size**

TABLE I: Shell Size, Thread, Cable Entry and Backshell Dimensions

| Shell Size Series II | Series I Shell Size Ref. | A Thread Class 2B | C Dia Max | E Dia Max | F Cable Entry | J Max | K Self-Locking |
|----------------------|--------------------------|-------------------|--------------|--------------|---------------|--------------|----------------|
| 8 | 9 | .438-28 UNEF | .750 (19.1) | .860 (21.8) | .264 (6.7) | 1.220 (31.0) | .630 (16.0) |
| 10 | 11 | .562-24 UNEF | .850 (21.6) | .980 (24.9) | .392 (10.0) | 1.290 (32.8) | .630 (16.0) |
| 12 | 13 | .688-24 UNEF | 1.000 (25.4) | 1.160 (29.5) | .506 (12.9) | 1.620 (41.1) | .630 (16.0) |
| 14 | 15 | .813-20 UNEF | 1.100 (27.9) | 1.280 (32.5) | .631 (16.0) | 1.660 (42.2) | .700 (17.8) |
| 16 | 17 | .938-20 UNEF | 1.250 (31.8) | 1.410 (35.8) | .756 (19.2) | 1.720 (43.7) | .700 (17.8) |
| 18 | 19 | 1.063-18 UNEF | 1.400 (35.6) | 1.520 (38.6) | .845 (21.5) | 1.720 (43.7) | .730 (18.5) |
| 20 | 21 | 1.188-18 UNEF | 1.500 (38.1) | 1.640 (41.7) | .970 (24.6) | 1.790 (45.5) | .730 (18.5) |
| 22 | 23 | 1.313-18 UNEF | 1.650 (41.9) | 1.770 (45.0) | 1.095 (27.8) | 1.850 (47.0) | .730 (18.5) |
| 24 | 25 | 1.438-18 UNEF | 1.750 (44.5) | 1.890 (48.0) | 1.220 (31.0) | 1.910 (48.5) | .730 (18.5) |

APPLICATION NOTES

1. Assembly identified with manufacturer's name and part number, space permitting.
2. For complete dimensions, see the applicable Military Specification.
3. Cable entry is defined as the accommodation range for the wire bundle or cable. Dimensions shown are not intended for inspection criteria.
4. Metric dimensions (mm) are in parentheses.

Dimensions in inches (millimeters) and are subject to change without notice.

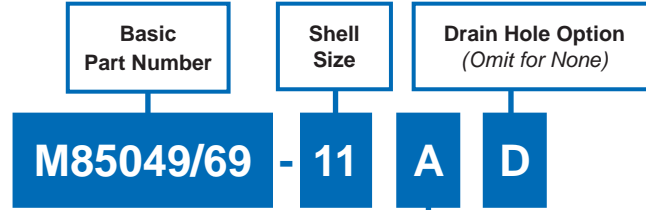
AS85049/69 Straight Shrink Boot Adapter



AS85049

B

| CONNECTOR DESIGNATOR: | |
|-----------------------|---|
| H | MIL-DTL-38999 Series III & IV EN3645 |



| Finish |
|---|
| <i>A = Black Anodize</i> |
| <i>N = Electroless Nickel</i> |
| <i>W = 1000 Hr. Cadmium Olive Drab</i> |
| <i>X = Nickel Fluorocarbon Polymer</i> |
| <i>Y = Pure Dense Electrodeposited Aluminum</i> |
| <i>Z = Zinc Nickel, Black</i> |

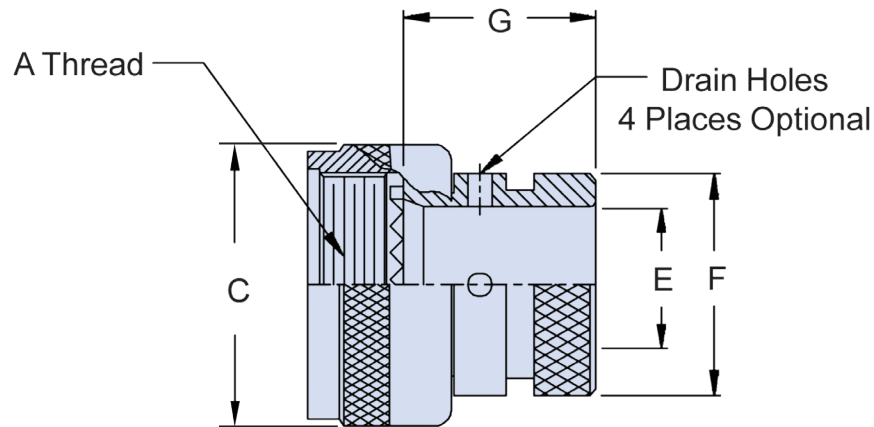


TABLE I: Shell Size, Thread and Dimensions

| Shell Size | A Thread Class 6H | C Max | E Dia Min | F Dia Max | G Max |
|------------|-------------------|--------------|--------------|--------------|-------------|
| 9 | M12 X 1 - 6H | .750 (19.1) | .250 (6.4) | .533 (13.5) | .710 (18.0) |
| 11 | M15 X 1 - 6H | .850 (21.6) | .375 (9.5) | .605 (15.4) | .710 (18.0) |
| 13 | M18 X 1 - 6H | 1.000 (25.4) | .500 (12.7) | .774 (19.7) | .710 (18.0) |
| 15 | M22 X 1 - 6H | 1.150 (29.2) | .625 (15.9) | .838 (21.3) | .710 (18.0) |
| 17 | M25 X 1 - 6H | 1.250 (31.8) | .750 (19.1) | .963 (24.5) | .710 (18.0) |
| 19 | M28 X 1 - 6H | 1.400 (35.6) | .812 (20.6) | 1.042 (26.5) | .710 (18.0) |
| 21 | M31 X 1 - 6H | 1.550 (39.4) | .938 (23.8) | 1.217 (30.9) | .710 (18.0) |
| 23 | M34 X 1 - 6H | 1.650 (41.9) | 1.062 (27.0) | 1.355 (34.4) | .710 (18.0) |
| 25 | M37 X 1 - 6H | 1.785 (47.0) | 1.188 (30.2) | 1.443 (36.7) | .710 (18.0) |

APPLICATION NOTES

1. For complete dimensions see the applicable Military Specification.
2. Metric dimensions (mm) are in parentheses.

Dimensions in inches (millimeters) and are subject to change without notice.

For Use with
AS85049/61
Potting Boot Ring
(Page B-84)

Basic Part Number

Shell
Size

Geometry
1 - Straight
2 = 90°

M85049/74

- 10 -

1

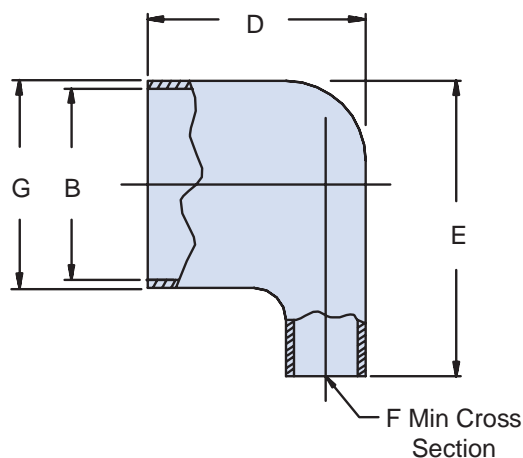
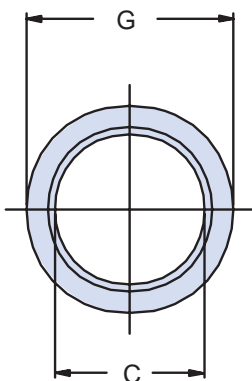
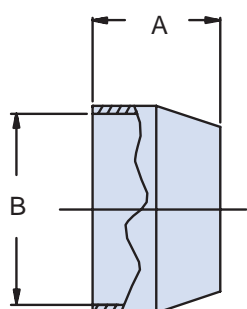


TABLE I: Shell Size and Dimensions

| Shell Size | A Min | A Max | B Dia ± .005 (.1) | G Max | C Min ID | D Max | E Max | F Min |
|------------|-------------|-------------|----------------------|--------------|--------------|--------------|--------------|--------------|
| 8 | .450 (11.4) | .500 (12.7) | .511 (13.0) | .608 (15.4) | .317 (8.1) | .766 (19.5) | 1.000 (25.4) | .110 (2.8) |
| 10 | .450 (11.4) | .500 (12.7) | .637 (16.2) | .734 (18.6) | .434 (11.0) | .922 (23.4) | 1.125 (28.6) | .200 (5.1) |
| 12 | .450 (11.4) | .500 (12.7) | .761 (19.3) | .858 (21.8) | .548 (13.9) | 1.031 (26.2) | 1.125 (28.6) | .290 (7.4) |
| 14 | .450 (11.4) | .500 (12.7) | .887 (22.5) | .984 (25.0) | .673 (17.1) | 1.016 (25.8) | 1.297 (32.9) | .400 (10.2) |
| 16 | .450 (11.4) | .500 (12.7) | 1.013 (25.7) | 1.110 (28.2) | .798 (20.3) | 1.016 (25.8) | 1.375 (34.9) | .490 (12.4) |
| 18 | .450 (11.4) | .500 (12.7) | 1.137 (28.9) | 1.234 (31.3) | .899 (22.8) | 1.078 (27.4) | 1.469 (37.3) | .590 (15.0) |
| 20 | .550 (14.0) | .594 (15.1) | 1.263 (32.1) | 1.360 (34.5) | 1.024 (26.0) | 1.094 (27.8) | 1.625 (41.3) | .730 (18.5) |
| 22 | .550 (14.0) | .594 (15.1) | 1.387 (35.2) | 1.484 (37.7) | 1.149 (29.2) | 1.094 (27.8) | 1.703 (43.3) | .860 (21.8) |
| 24 | .550 (14.0) | .594 (15.1) | 1.513 (38.4) | 1.610 (40.9) | 1.274 (32.4) | 1.281 (32.5) | 2.047 (52.0) | 1.070 (27.2) |

APPLICATION NOTES

1. For complete dimensions see the applicable Military Specification.
2. Material: Translucent nylon, minimum wall thickness .020 (.51).
3. Metric dimensions (mm) are in parentheses.

Dimensions in inches (millimeters) and are subject to change without notice.

AS85049/75 Potting Boot

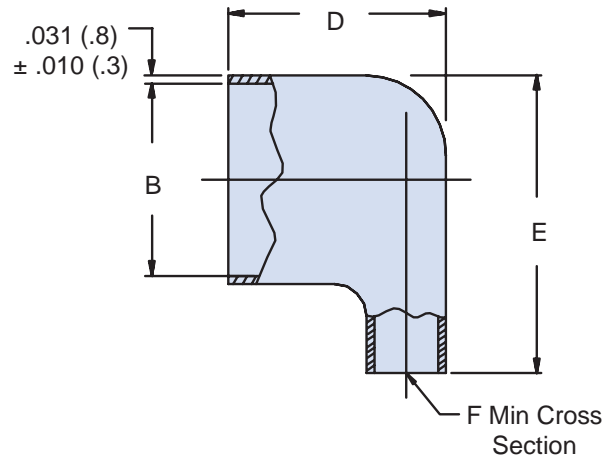
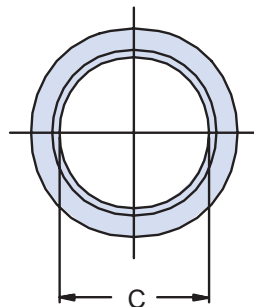
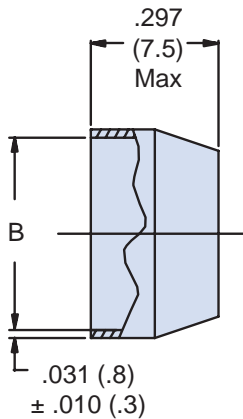


AS85049

B

For Use with
AS85049/58
Potting Boot Ring
(Page B-80)

| | | |
|-------------------|---------------|-------------------------------------|
| Basic Part Number | Shell Size | Geometry 1 - Straight 2 = 90° |
| M85049/75 | - 10 - | 1 |



| Shell Size | B Dia ± .005 (.1) | C Min ID | D Max | E Max | F Min |
|------------|----------------------|--------------|--------------|--------------|-------------|
| 8 | .527 (13.4) | .434 (11.0) | .438 (11.1) | .766 (19.5) | .073 (1.9) |
| 10 | .652 (16.6) | .548 (13.9) | .469 (11.9) | .891 (22.6) | .117 (3.0) |
| 12 | .776 (19.7) | .673 (17.1) | .562 (14.3) | 1.031 (26.2) | .206 (5.2) |
| 14 | .898 (22.8) | .798 (20.3) | .719 (18.3) | 1.156 (29.4) | .384 (9.8) |
| 16 | 1.016 (25.8) | .899 (22.8) | .781 (19.8) | 1.287 (32.7) | .443 (11.3) |
| 18 | 1.140 (29.0) | 1.024 (26.0) | .844 (21.4) | 1.406 (35.7) | .561 (14.2) |
| 20 | 1.265 (32.1) | 1.149 (29.2) | .906 (23.0) | 1.531 (38.9) | .693 (17.6) |
| 22 | 1.390 (35.3) | 1.274 (32.4) | .938 (23.8) | 1.656 (42.1) | .840 (21.3) |
| 24 | 1.515 (38.5) | 1.399 (35.5) | 1.031 (26.2) | 1.781 (45.2) | .999 (25.4) |

- APPLICATION NOTES**
1. For complete dimensions see the applicable Military Specification.
 2. Material: Translucent nylon, minimum wall thickness .020 (.51).
 3. Metric dimensions (mm) are in parentheses.

Dimensions in inches (millimeters) and are subject to change without notice.



AS85049/76 90° EMI/RFI Environmental Backshell

CONNECTOR DESIGNATOR:

F MIL-DTL-38999 Series I and II

Finish

N = Electroless Nickel

X = Aluminum, Nickel Fluorocarbon Polymer

W = 1,000 Hr. Cadmium Olive Drab
over Electroless Nickel

Z = Aluminum, Zinc-Nickel, Black

M85049/76

- 10

W

01

Basic
Part Number

Dash Number
(Table I)

Clamp Size
(Tables II & III)

**TABLE I: Shell Size,
Thread and Dimensions**

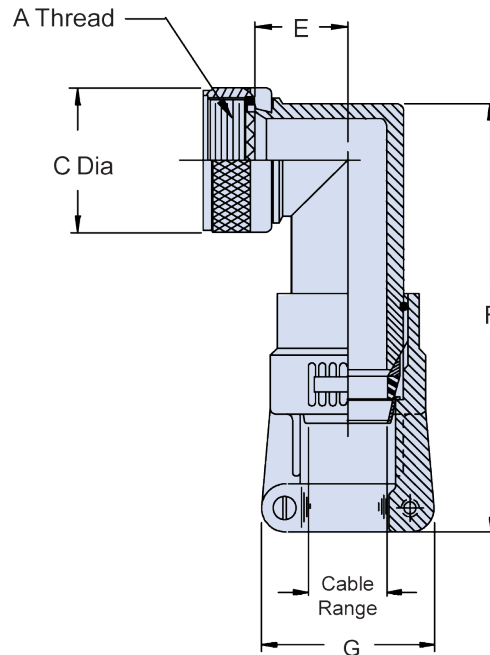
| Dash No. | Shell Size Series I | Shell Size Series II | A Thread Class 2B | C Dia Max |
|----------|---------------------|----------------------|-------------------|--------------|
| 08 | 09 | 08 | .438 - 28 UNEF | .750 (19.1) |
| 10 | 11 | 10 | .562 - 24 UNEF | .850 (21.6) |
| 12 | 13 | 12 | .688 - 24 UNEF | 1.000 (25.4) |
| 14 | 15 | 14 | .813 - 20 UNEF | 1.150 (29.2) |
| 16 | 17 | 16 | .938 - 20 UNEF | 1.250 (31.8) |
| 18 | 19 | 18 | 1.063 - 18 UNEF | 1.400 (35.6) |
| 20 | 21 | 20 | 1.188 - 18 UNEF | 1.550 (39.4) |
| 22 | 23 | 22 | 1.313 - 18 UNEF | 1.650 (41.9) |
| 24 | 25 | 24 | 1.438 - 18 UNEF | 1.850 (47.0) |

**TABLE II: Shell Size, Series 1 Reference,
Clamp Size and Dimensions**

| Dash No. | Shell Size Series I | Shell Size Series II | Clamp Size | | E ± .156 (4.0) | F ± .188 (4.8) |
|----------|---------------------|----------------------|------------|-----|-------------------|-------------------|
| | | | Min | Max | | |
| 08 | 09 | 08 | 01 | 02 | .532 (13.5) | 3.267 (83.0) |
| 10 | 11 | 10 | 01 | 03 | .627 (15.9) | 3.387 (86.0) |
| 12 | 13 | 12 | 02 | 04 | .642 (16.3) | 3.407 (86.5) |
| 14 | 15 | 14 | 02 | 05 | .719 (18.3) | 3.477 (88.3) |
| 16 | 17 | 16 | 02 | 06 | .774 (19.7) | 3.567 (90.6) |
| 18 | 19 | 18 | 03 | 07 | .854 (21.7) | 3.737 (94.9) |
| 20 | 21 | 20 | 03 | 08 | .899 (22.8) | 3.737 (94.9) |
| 22 | 23 | 22 | 03 | 09 | 1.009 (25.6) | 3.847 (97.7) |
| 24 | 25 | 24 | 04 | 10 | 1.024 (26.0) | 3.847 (97.7) |

APPLICATION NOTES

- For complete dimensions see the applicable Military Specification.
- Metric dimensions (mm) are in parentheses.
- Cable Range is defined as the accommodation range for the wire bundle or cable. Dimensions shown are not intended for inspection criteria.



**TABLE III: Clamp Size,
Cable Range and Dimensions**

| Clamp Size | Cable Range | | G Max |
|------------|--------------|--------------|--------------|
| | Min | Max | |
| 01 | .062 (1.6) | .125 (3.2) | .800 (20.3) |
| 02 | .125 (3.2) | .250 (6.4) | 1.000 (25.4) |
| 03 | .250 (6.4) | .375 (9.5) | 1.100 (27.9) |
| 04 | .375 (9.5) | .500 (12.7) | 1.200 (30.5) |
| 05 | .500 (12.7) | .625 (15.9) | 1.250 (31.8) |
| 06 | .625 (15.9) | .750 (19.1) | 1.400 (35.6) |
| 07 | .750 (19.1) | .875 (22.2) | 1.500 (38.1) |
| 08 | .875 (22.2) | 1.000 (25.4) | 1.650 (41.9) |
| 09 | 1.000 (25.4) | 1.125 (28.6) | 1.750 (44.5) |
| 10 | 1.125 (28.6) | 1.250 (31.8) | 1.900 (48.3) |

Dimensions in inches (millimeters) and are subject to change without notice.

AS85049/77 45° EMI/RFI Environmental Backshell



AS85049

B

CONNECTOR DESIGNATOR:

F MIL-DTL-38999 Series I and II

Finish
N = Electroless Nickel **X** = Aluminum, Nickel Fluorocarbon Polymer
W = 1,000 Hr. Cadmium Olive Drab **Z** = Aluminum, Zinc-Nickel, Black over Electroless Nickel

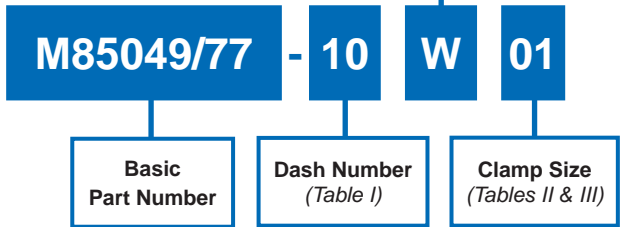


TABLE I: Shell Size, Thread and Dimensions

| Dash No. | Shell Size Series I | Shell Size Series II | A Thread Class 2B | C Dia Max |
|----------|---------------------|----------------------|-------------------|--------------|
| 08 | 09 | 08 | .438 - 28 UNEF | .750 (19.1) |
| 10 | 11 | 10 | .562 - 24 UNEF | .850 (21.6) |
| 12 | 13 | 12 | .688 - 24 UNEF | 1.000 (25.4) |
| 14 | 15 | 14 | .813 - 20 UNEF | 1.150 (29.2) |
| 16 | 17 | 16 | .938 - 20 UNEF | 1.250 (31.8) |
| 18 | 19 | 18 | 1.063 - 18 UNEF | 1.400 (35.6) |
| 20 | 21 | 20 | 1.188 - 18 UNEF | 1.550 (39.4) |
| 22 | 23 | 22 | 1.313 - 18 UNEF | 1.650 (41.9) |
| 24 | 25 | 24 | 1.438 - 18 UNEF | 1.850 (47.0) |

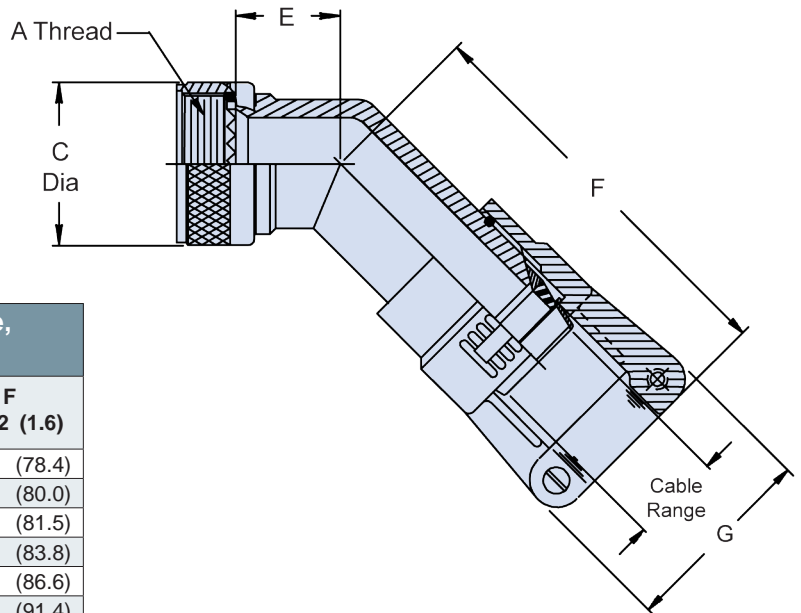


TABLE II: Shell Size, Series 1 Reference, Clamp Size and Dimensions

| Dash No. | Shell Size Series I | Shell Size Series II | Clamp Size | | E ±.062 (1.6) | F ±.062 (1.6) |
|----------|---------------------|----------------------|------------|-----|---------------|---------------|
| | | | Min | Max | | |
| 08 | 09 | 08 | 01 | 02 | .398 (10.1) | 3.088 (78.4) |
| 10 | 11 | 10 | 01 | 03 | .458 (11.6) | 3.148 (80.0) |
| 12 | 13 | 12 | 02 | 04 | .518 (13.2) | 3.208 (81.5) |
| 14 | 15 | 14 | 02 | 05 | .588 (14.9) | 3.298 (83.8) |
| 16 | 17 | 16 | 02 | 06 | .678 (17.2) | 3.408 (86.6) |
| 18 | 19 | 18 | 03 | 07 | .868 (22.0) | 3.598 (91.4) |
| 20 | 21 | 20 | 03 | 08 | .868 (22.0) | 3.598 (91.4) |
| 22 | 23 | 22 | 03 | 09 | .958 (24.3) | 3.748 (95.2) |
| 24 | 25 | 24 | 04 | 10 | .958 (24.3) | 3.748 (95.2) |

- APPLICATION NOTES**
- For complete dimensions see the applicable Military Specification.
 - Metric dimensions (mm) are in parentheses.
 - Cable Range is defined as the accommodation range for the wire bundle or cable. Dimensions shown are not intended for inspection criteria.

TABLE III: Clamp Size, Cable Range and Dimensions

| Clamp Size | Cable Range | | G Max |
|------------|--------------|--------------|--------------|
| | Min | Max | |
| 01 | .062 (1.6) | .125 (3.2) | .800 (20.3) |
| 02 | .125 (3.2) | .250 (6.4) | 1.000 (25.4) |
| 03 | .250 (6.4) | .375 (9.5) | 1.100 (27.9) |
| 04 | .375 (9.5) | .500 (12.7) | 1.200 (30.5) |
| 05 | .500 (12.7) | .625 (15.9) | 1.250 (31.8) |
| 06 | .625 (15.9) | .750 (19.1) | 1.400 (35.6) |
| 07 | .750 (19.1) | .875 (22.2) | 1.500 (38.1) |
| 08 | .875 (22.2) | 1.000 (25.4) | 1.650 (41.9) |
| 09 | 1.000 (25.4) | 1.125 (28.6) | 1.750 (44.5) |
| 10 | 1.125 (28.6) | 1.250 (31.8) | 1.900 (48.3) |

Dimensions in inches (millimeters) and are subject to change without notice.

CONNECTOR DESIGNATOR:
H MIL-DTL-38999, Series III and IV
EN3645

Finish

N = Electroless Nickel *X* = Aluminum, Nickel Fluorocarbon Polymer
W = 1,000 Hr. Cadmium Olive Drab *Z* = Aluminum, Zinc-Nickel, Black over Electroless Nickel

M85049/78 - 10 W 01
**Basic
Part Number**
**Shell Size
(Tables I & II)**
**Clamp Size
(Tables II & III)**
**TABLE I: Shell Size,
Thread and Dimensions**

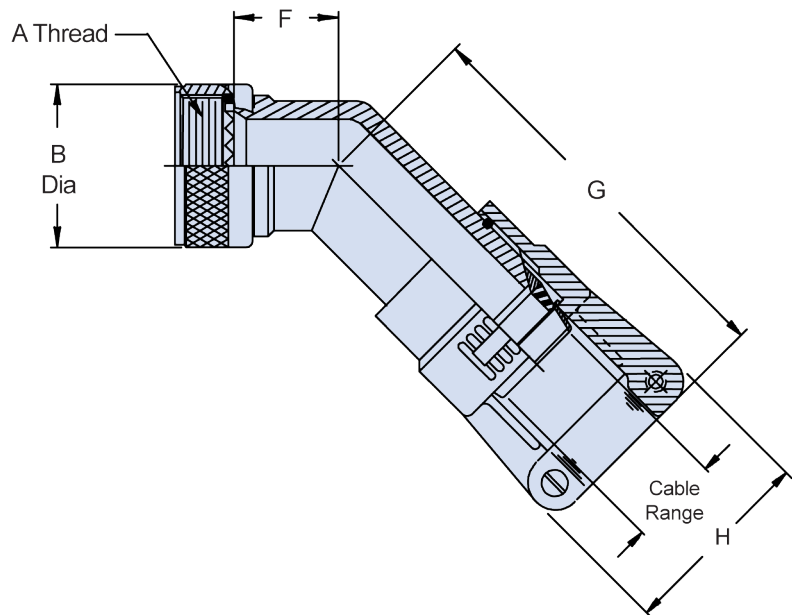
| Shell Size | A Thread Class 2B | B Dia Max |
|------------|-------------------|--------------|
| 09 | M12 X 1 - 6H | .750 (19.1) |
| 11 | M15 X 1 - 6H | .850 (21.6) |
| 13 | M18 X 1 - 6H | 1.000 (25.4) |
| 15 | M22 X 1 - 6H | 1.150 (29.2) |
| 17 | M25 X 1 - 6H | 1.250 (31.8) |
| 19 | M28 X 1 - 6H | 1.400 (35.6) |
| 21 | M31 X 1 - 6H | 1.550 (39.4) |
| 23 | M34 X 1 - 6H | 1.650 (41.9) |
| 25 | M37 X 1 - 6H | 1.850 (47.0) |

**TABLE II: Shell Size,
Clamp Size and Dimensions**

| Shell Size | Clamp Size | | F ±.062 (1.6) | G ±.062 (1.6) |
|------------|------------|-----|------------------|------------------|
| | Min | Max | | |
| 09 | 01 | 02 | .398 (10.1) | 3.088 (78.4) |
| 11 | 01 | 03 | .458 (11.6) | 3.148 (80.0) |
| 13 | 02 | 04 | .518 (13.2) | 3.208 (81.5) |
| 15 | 02 | 05 | .588 (14.9) | 3.298 (83.8) |
| 17 | 02 | 06 | .678 (17.2) | 3.408 (86.6) |
| 19 | 03 | 07 | .868 (22.0) | 3.598 (91.4) |
| 21 | 03 | 08 | .868 (22.0) | 3.598 (91.4) |
| 23 | 03 | 09 | .958 (24.3) | 3.748 (95.2) |
| 25 | 04 | 10 | .958 (24.3) | 3.748 (95.2) |

APPLICATION NOTES

- For complete dimensions see the applicable Military Specification.
- Metric dimensions (mm) are in parentheses.
- Cable Range is defined as the accommodation range for the wire bundle or cable. Dimensions shown are not intended for inspection criteria.


**TABLE III: Clamp Size,
Cable Range and Dimensions**

| Clamp Size | Cable Range | | H Max |
|------------|--------------|--------------|--------------|
| | Min | Max | |
| 01 | .062 (1.6) | .125 (3.2) | .800 (20.3) |
| 02 | .125 (3.2) | .250 (6.4) | 1.000 (25.4) |
| 03 | .250 (6.4) | .375 (9.5) | 1.100 (27.9) |
| 04 | .375 (9.5) | .500 (12.7) | 1.200 (30.5) |
| 05 | .500 (12.7) | .625 (15.9) | 1.250 (31.8) |
| 06 | .625 (15.9) | .750 (19.1) | 1.400 (35.6) |
| 07 | .750 (19.1) | .875 (22.2) | 1.500 (38.1) |
| 08 | .875 (22.2) | 1.000 (25.4) | 1.650 (41.9) |
| 09 | 1.000 (25.4) | 1.125 (28.6) | 1.750 (44.5) |
| 10 | 1.125 (28.6) | 1.250 (31.8) | 1.900 (48.3) |

Dimensions in inches (millimeters) and are subject to change without notice.

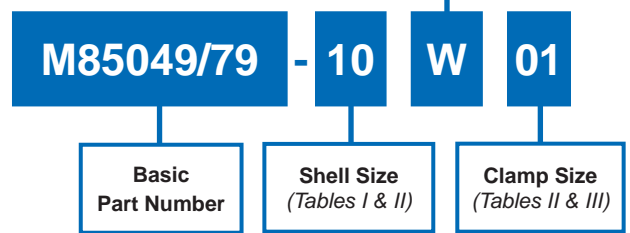
AS85049/79 90° EMI/RFI Environmental Backshell



AS85049

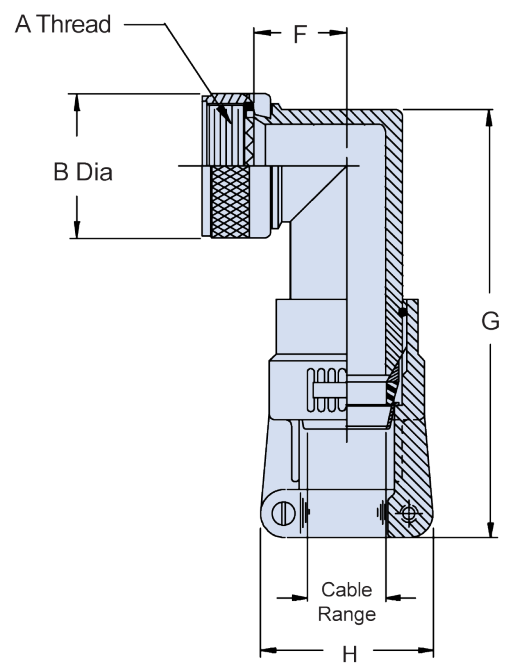
| CONNECTOR DESIGNATOR: | |
|-----------------------|---|
| H | MIL-DTL-38999, Series III and IV EN3645 |

| | |
|---|--|
| N = Electroless Nickel | Finish |
| W = 1,000 Hr. Cadmium Olive Drab over Electroless Nickel | X = Aluminum, Nickel Fluorocarbon Polymer |
| | Z = Aluminum, Zinc-Nickel, Black |



| TABLE I: Shell Size, Thread and Dimensions | | |
|--|-------------------|--------------|
| Shell Size | A Thread Class 2B | B Dia Max |
| 09 | M12 X 1 - 6H | .750 (19.1) |
| 11 | M15 X 1 - 6H | .850 (21.6) |
| 13 | M18 X 1 - 6H | 1.000 (25.4) |
| 15 | M22 X 1 - 6H | 1.150 (29.2) |
| 17 | M25 X 1 - 6H | 1.250 (31.8) |
| 19 | M28 X 1 - 6H | 1.400 (35.6) |
| 21 | M31 X 1 - 6H | 1.550 (39.4) |
| 23 | M34 X 1 - 6H | 1.650 (41.9) |
| 25 | M37 X 1 - 6H | 1.850 (47.0) |

| TABLE II: Shell Size, Clamp Size and Dimensions | | | | |
|---|------------|-----|------------------|------------------|
| Shell Size | Clamp Size | | F ±.156 (4.0) | G ±.188 (4.8) |
| | Min | Max | | |
| 09 | 01 | 02 | .532 (13.5) | 3.267 (83.0) |
| 11 | 01 | 03 | .627 (15.9) | 3.387 (86.0) |
| 13 | 02 | 04 | .642 (16.3) | 3.407 (86.5) |
| 15 | 02 | 05 | .719 (18.3) | 3.477 (88.3) |
| 17 | 02 | 06 | .774 (19.7) | 3.567 (90.6) |
| 19 | 03 | 07 | .854 (21.7) | 3.737 (94.9) |
| 21 | 03 | 08 | .899 (22.8) | 3.737 (94.9) |
| 23 | 03 | 09 | 1.009 (25.6) | 3.847 (97.7) |
| 25 | 04 | 10 | 1.024 (26.0) | 3.847 (97.7) |



- APPLICATION NOTES**
- For complete dimensions see the applicable Military Specification.
 - Metric dimensions (mm) are in parentheses.
 - Cable Range is defined as the accommodation range for the wire bundle or cable. Dimensions shown are not intended for inspection criteria.

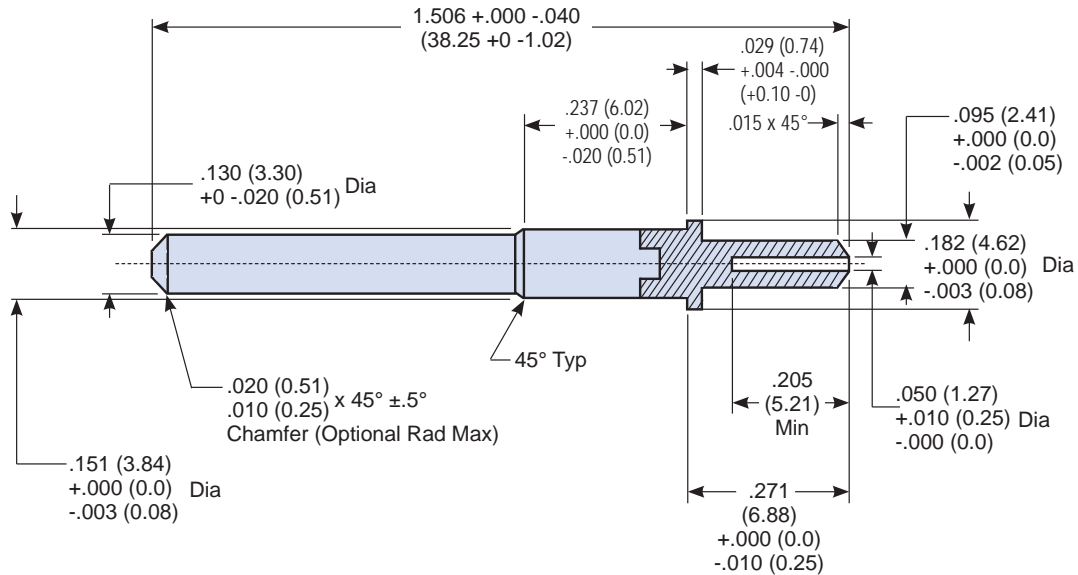
| TABLE III: Clamp Size, Cable Range and Dimensions | | | |
|---|--------------|--------------|--------------|
| Clamp Size | Cable Range | | H Max |
| | Min | Max | |
| 01 | .062 (1.6) | .125 (3.2) | .800 (20.3) |
| 02 | .125 (3.2) | .250 (6.4) | 1.000 (25.4) |
| 03 | .250 (6.4) | .375 (9.5) | 1.100 (27.9) |
| 04 | .375 (9.5) | .500 (12.7) | 1.200 (30.5) |
| 05 | .500 (12.7) | .625 (15.9) | 1.250 (31.8) |
| 06 | .625 (15.9) | .750 (19.1) | 1.400 (35.6) |
| 07 | .750 (19.1) | .875 (22.2) | 1.500 (38.1) |
| 08 | .875 (22.2) | 1.000 (25.4) | 1.650 (41.9) |
| 09 | 1.000 (25.4) | 1.125 (28.6) | 1.750 (44.5) |
| 10 | 1.125 (28.6) | 1.250 (31.8) | 1.900 (48.3) |

Dimensions in inches (millimeters) and are subject to change without notice.

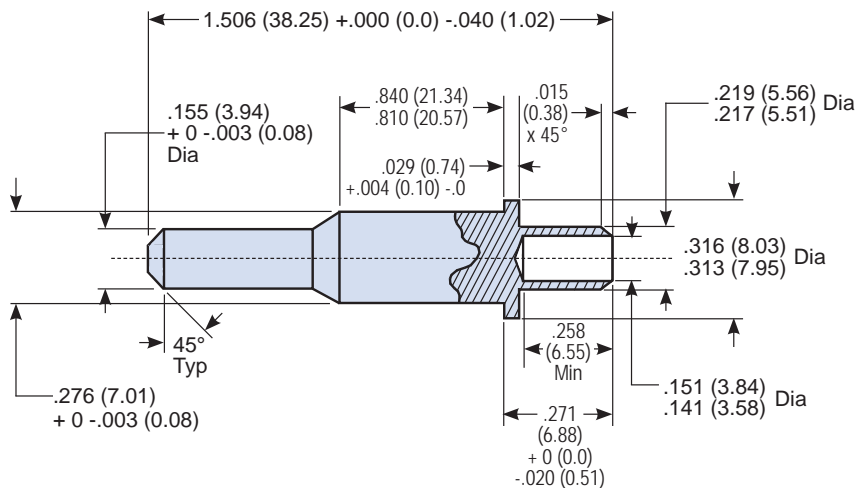
Basic
Part Number

Dash
Number

M85049/80 - 16



Dimensions and Configuration for Size 12 Contacts



Dimensions and Configuration for Size 8 Contacts

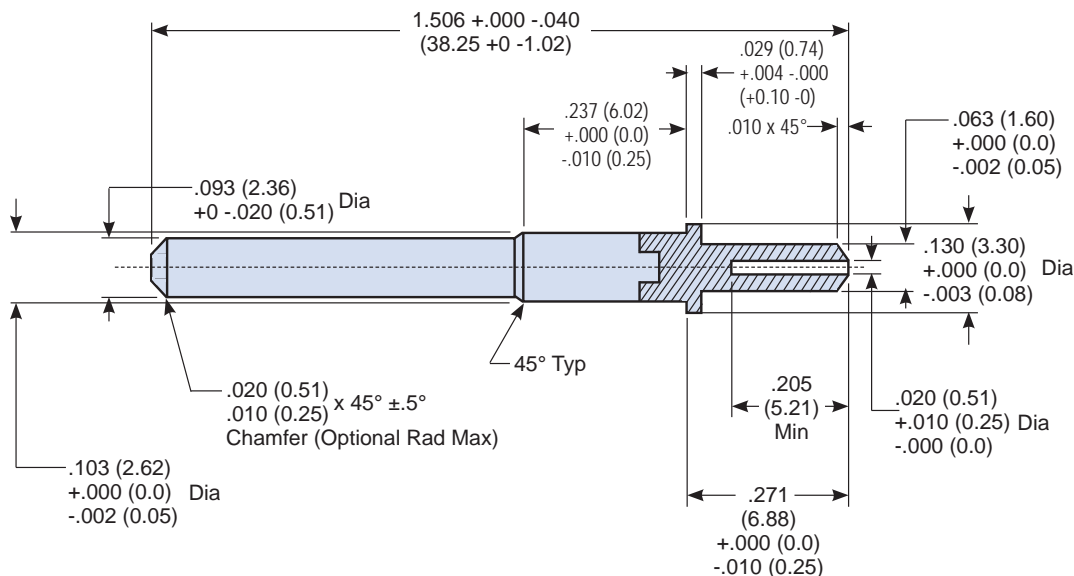
Dimensions in inches (millimeters) and are subject to change without notice.

AS85049/80 Sealing Plug for MIL-DTL-38999 Connectors Contact Sizes 8, 12 and 16



AS85049

B



Dimensions and Configuration for Size 16 Contacts



Figure 1



Figure 2



Figure 3

Table I: Insertion and Removal Tools

| Figure | Size | Type | Glenair Part Number | Military Part Number |
|--------|------|----------------------|---------------------|----------------------|
| 1 | #16 | Insertion/Extraction | 809-131 | M81969/14-03 |
| 2 | #12 | Insertion/extraction | 809-132 | M81969/14-04 |
| 3 | #8 | Extraction only | 859-022 | M81969/14-06 |

APPLICATION NOTES

1. Assembly identified with manufacturer's name and part number, space permitting.
2. Color:
Size 16 - Blue, IAW EIA RS359
Size 12 - Yellow, IAW EIA RS359
Size 8 - Green, IAW EIA RS359
3. Insulation resistance: 100 megaohms minimum at 500V DC when tested IAW EIA 364-21, using flat probes placed on opposite ends of the dummy contact.
4. Size 16 is for use in MIL-DTL-Series I, III or IV connectors in size 16 contact cavities. Size 12 is for use in MIL-DTL-38999 Series I, III or IV connectors in size 12 contact cavities. Size 8 is for use in MIL-DTL-38999 Series I, III or IV connectors in size 8 cavities.
5. Sizes 16, 12 and 8 dummy contacts are to be used in lieu of contacts and sealing plugs in unwired contact cavities for both pin and socket inserts.
6. The size 8 dummy contact requires an additional boot (to be provided by the connector manufacturer) for insert arrangements 17-2, 19-18, 21-75, 25-7, 25-8, 25-46 and 25-90 to seal the cavity.
7. For complete dimensions, see the applicable Military Specification.
8. Metric dimensions (mm) are in parentheses.

Dimensions in inches (millimeters) and are subject to change without notice.

Basic
Part NumberDash
Number
M85049/81 - 10

B

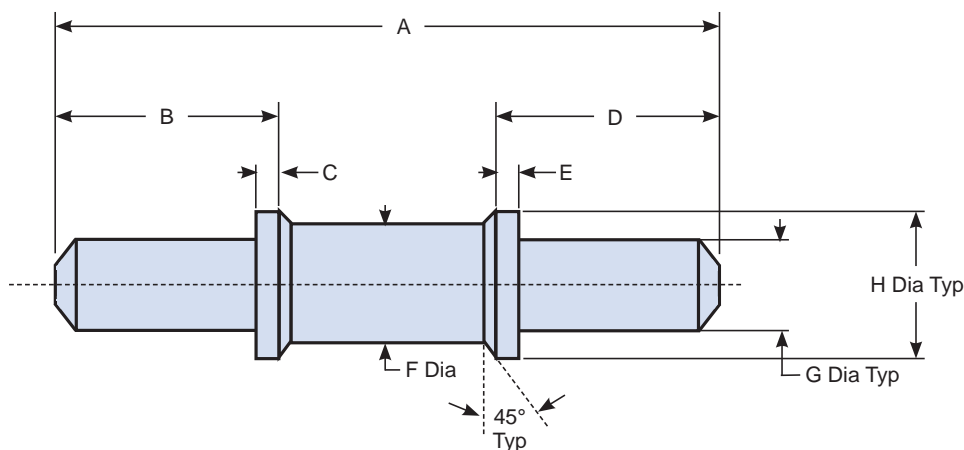


TABLE I: Dimensions

| Dash No. | A Dim | B Dim | C Dim | D Dim | E Dim | F Dia | G Dia | H Dia |
|----------|------------------------------|----------------------------|----------------------------|----------------------------|----------------------------|----------------------------|----------------------------|----------------------------|
| 10 | .702 (17.83) .672 (17.07) | .255 (6.48) .245 (6.22) | .034 (0.86) .028 (0.71) | .255 (6.48) .245 (6.22) | .034 (0.86) .028 (0.71) | .155 (3.94) .149 (3.78) | .130 (3.30) .120 (3.05) | .185 (4.70) .179 (4.55) |

APPLICATION NOTES

1. Assembly identified with manufacturer's name and part number, space permitting.
2. Material and color:
Green polytetrafluoroethylene, perfluoroalkoxy (PFA) or fluorinated ethylene propylene (FEP) rod, molded or extruded, temperature limit 200°C minimum.
3. Insulation resistance: 100 megaohms minimum at 500V DC when tested IAW EIA 364-21, using flat probes placed on opposite ends of the sealing plug.
4. Tool: Size 10 insertion and removal tool, military part number M81969/14-05.
5. Designed for use with MIL-DTL-38999 connectors utilizing size 10 contact cavities for AS39029/56 and /58 contacts. Sealing plug to be used in both pin and socket cavities.
6. For complete dimensions, see the applicable Military Specification.
7. Metric dimensions (mm) are in parentheses.

Dimensions in inches (millimeters) and are subject to change without notice.

AS85049/82, AS85049/83 and AS85049/84 Straight, 45° and 90° Banding Backshells with Self-Locking Coupling



AS85049

B

CONNECTOR DESIGNATOR:

A

AS50151 Series AS34001
MIL-DTL-26482 Series II
AS81703 Series III
MIL-DTL-83723 Series I and III
40M39569, DEF 5326-3, EN 2997,
EN 3646
ESC 10, ESC 11, LN 29504
NFC93422 Series HE302
PAN 6432-1, PAN 6432-2, PATT 602

Basic Part Number

M85049/82 = Straight
M85049/83 = 45°
M85049/84 = 90°

— = Detented
N = Non-Detented

Shell Size
(Table I)

Entry Size
(Table I)

M85049/82

N

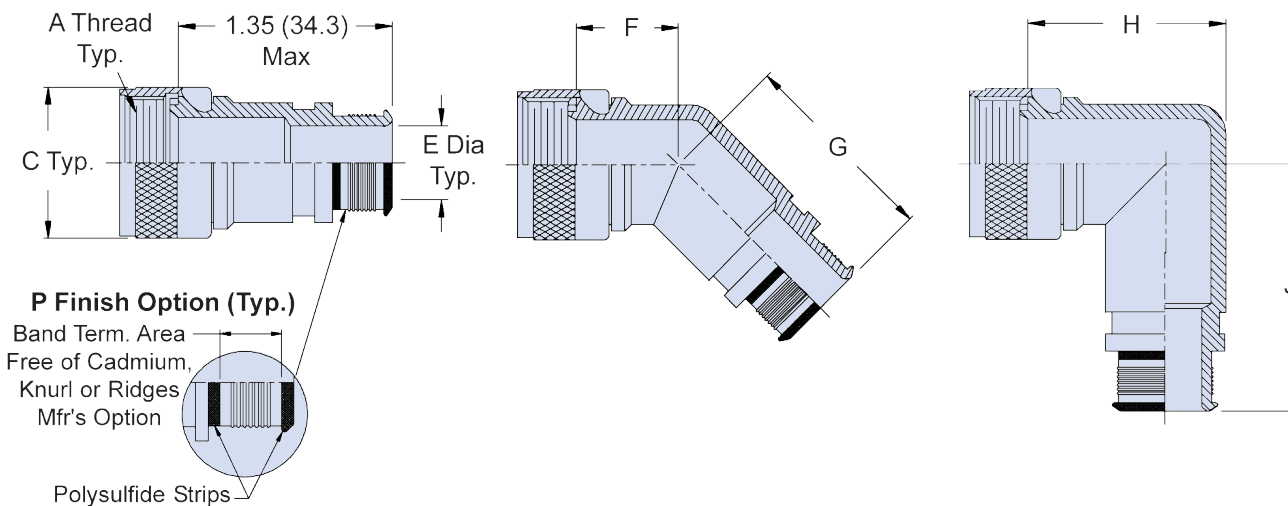
16

P

02

Finish

N = Electroless Nickel
P = Cadmium, Olive Drab over Electroless Nickel with Polysulfide Sealant Strips
W = 1,000 Hr. Cadmium Olive Drab over Electroless Nickel
X = Aluminum, Nickel Fluorocarbon Polymer
YP = Aluminum, Pure Dense Electrodeposited Aluminum with Polysulfide Sealant Strips
Z = Aluminum, Zinc-Nickel, Black
ZP = Aluminum, Zinc Nickel with Polysulfide Sealant Strips



APPLICATION NOTES

1. Assembly identified with manufacturer's name and part number, space permitting.
2. For complete dimensions, see the applicable Military Specification.
3. Metric dimensions (mm) are in parentheses.
4. For use with AS85049/128 Bands.

Dimensions in inches (millimeters) and are subject to change without notice.



AS85049/82, AS85049/83 and AS85049/84 Straight, 45° and 90° Banding Backshells with Self-Locking Coupling

TABLE I: Shell Size, Cable Entry and Backshell Dimensions

| Shell Size | A Thread Class 2B | C Dia Max | E Dia Cable Entry Size 02 ±.010 (0.30) | E Dia Cable Entry Size 03 ±.010 (0.30) | F Max | G Max | H Max | J Max |
|------------|-------------------|--------------|---|---|--------------|--------------|--------------|--------------|
| 08 | .500 - 20 UNF | .886 (22.4) | N/A | .250 (6.4) | .870 (22.1) | 1.160 (29.5) | 1.188 (30.2) | 1.417 (36.0) |
| 10 | .625 - 24 UNEF | 1.010 (25.7) | N/A | .312 (7.9) | .890 (22.6) | 1.180 (30.0) | 1.281 (32.5) | 1.480 (37.6) |
| 12 | .750 - 20 UNEF | 1.130 (28.7) | .312 (7.9) | .438 (11.1) | .920 (23.4) | 1.200 (30.5) | 1.406 (35.7) | 1.542 (39.2) |
| 14 | .875 - 20 UNEF | 1.260 (32.0) | .438 (11.1) | .562 (14.3) | .940 (23.9) | 1.220 (31.0) | 1.531 (38.9) | 1.605 (40.8) |
| 16 | 1.000 - 20 UNEF | 1.386 (35.1) | .500 (12.7) | .625 (15.9) | .960 (24.4) | 1.250 (31.8) | 1.656 (42.1) | 1.667 (42.3) |
| 18 | 1.062 - 18 UNEF | 1.510 (38.4) | .625 (15.9) | .750 (19.1) | .980 (24.9) | 1.260 (32.0) | 1.718 (43.6) | 1.730 (43.9) |
| 20 | 1.188 - 18 UNEF | 1.636 (41.4) | .625 (15.9) | .812 (20.6) | 1.00 (25.4) | 1.290 (32.8) | 1.844 (46.8) | 1.792 (45.5) |
| 22 | 1.313 - 18 UNEF | 1.760 (44.7) | .688 (17.5) | .938 (23.8) | 1.030 (26.2) | 1.310 (33.3) | 1.938 (49.2) | 1.850 (47.0) |
| 24 | 1.438 - 18 UNEF | 1.886 (47.8) | .750 (19.1) | 1.000 (25.4) | 1.050 (26.7) | 1.340 (34.0) | 2.093 (53.2) | 1.917 (48.7) |
| 28 | 1.750 - 18 UNS | 2.136 (54.1) | .875 (22.2) | 1.125 (28.6) | 1.100 (27.9) | 1.380 (35.1) | 2.531 (64.3) | 2.042 (51.9) |

Dimensions in inches (millimeters) and are subject to change without notice.

AS85049/85, AS85049/86 and AS85049/87 Straight, 45° and 90° Banding Backshells with Self-Locking Coupling

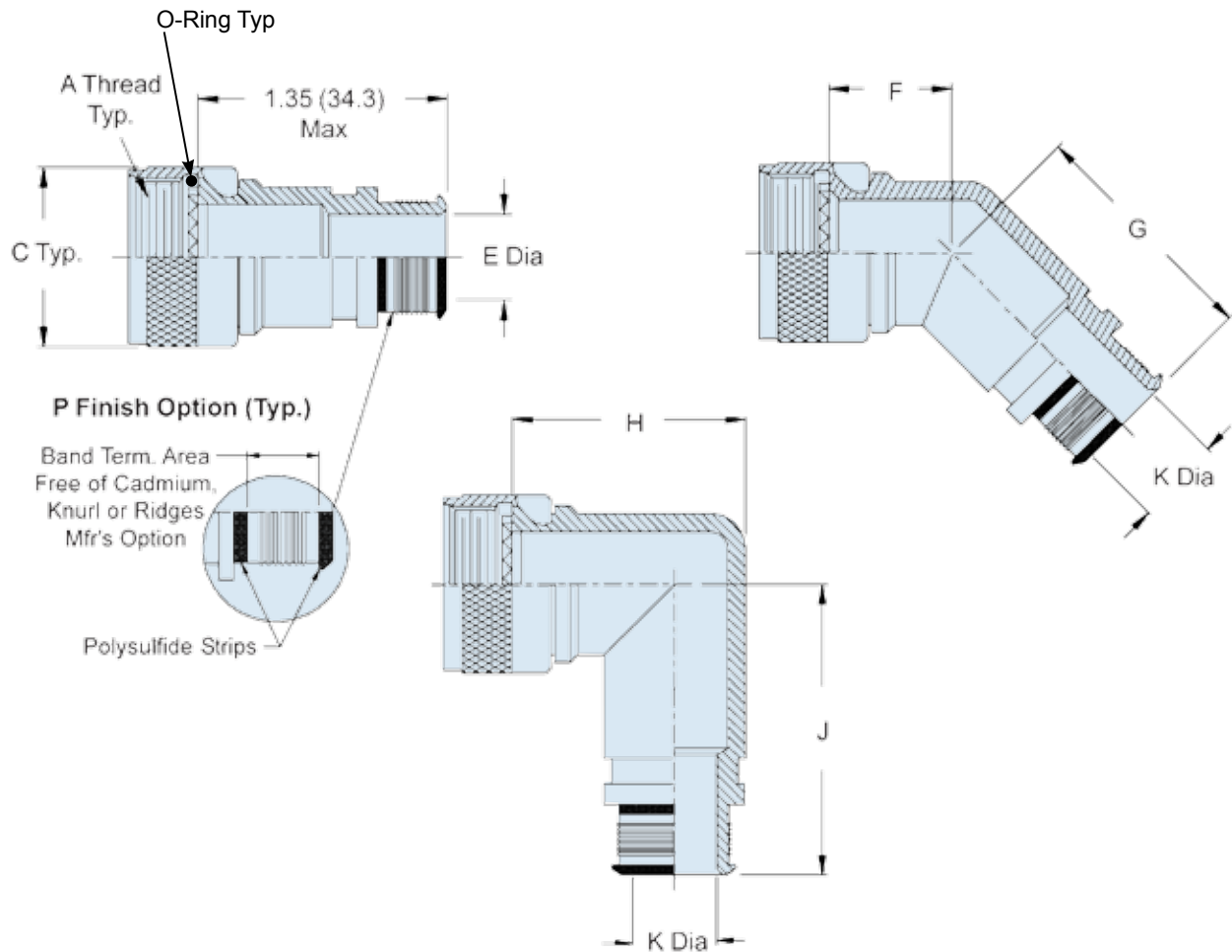


AS85049

| CONNECTOR DESIGNATOR: | |
|-----------------------|-------------------------------|
| F | MIL-DTL-38999 Series I and II |

| | | | |
|---|--|--------------------------------|--------------------------------|
| Basic Part Number <i>M85049/85 = Straight</i> <i>M85049/86 = 45°</i> <i>M85049/87 = 90°</i> | <i>— = Detented</i> <i>N = Non-Detented</i> | Shell Size (Table I) | Entry Size (Table I) |
| M85049/85 | N | 16 | P |
| | | | 02 |

| Finish |
|--|
| <i>N = Electroless Nickel</i> |
| <i>P = Cadmium, Olive Drab over Electroless Nickel with Polysulfide Sealant Strips</i> |
| <i>W = 1,000 Hr. Cadmium Olive Drab over Electroless Nickel</i> |
| <i>X = Aluminum, Nickel Fluorocarbon Polymer</i> |
| <i>YP = Aluminum, Pure Dense Electrodeposited Aluminum with Polysulfide Sealant Strips</i> |
| <i>Z = Aluminum, Zinc-Nickel, Black</i> |
| <i>ZP = Aluminum, Zinc Nickel with Polysulphide Sealant Strips</i> |



Dimensions in inches (millimeters) and are subject to change without notice.

B



AS85049/85, AS85049/86 and AS85049/87 Straight, 45° and 90° Banding Backshells with Self-Locking Coupling

TABLE I: Shell Size, Cable Entry and Backshell Dimensions

| Shell Size | A Thread Class 2B | C Dia Max | F Max | G Max | H Max | J Max |
|------------|-------------------|--------------|--------------|--------------|--------------|--------------|
| 08 | .438 - 28 UNEF | .860 (21.8) | .870 (22.1) | 1.160 (29.5) | 1.375 (34.9) | 1.375 (34.9) |
| 10 | .562 - 24 UNEF | .990 (25.1) | .900 (22.9) | 1.190 (30.2) | 1.437 (36.5) | 1.437 (36.5) |
| 12 | .688 - 24 UNEF | 1.160 (29.5) | .920 (23.4) | 1.210 (30.7) | 1.562 (39.7) | 1.562 (39.7) |
| 14 | .813 - 20 UNEF | 1.280 (32.5) | .950 (24.1) | 1.240 (31.5) | 1.687 (42.8) | 1.687 (42.8) |
| 16 | .938 - 20 UNEF | 1.410 (35.8) | .980 (24.9) | 1.260 (32.0) | 1.750 (44.5) | 1.750 (44.5) |
| 18 | 1.063 - 18 UNEF | 1.520 (38.6) | .980 (24.9) | 1.270 (32.3) | 1.875 (47.6) | 1.875 (47.6) |
| 20 | 1.188 - 18 UNEF | 1.640 (41.7) | 1.010 (25.7) | 1.300 (33.0) | 1.938 (49.2) | 1.938 (49.2) |
| 22 | 1.313 - 18 UNEF | 1.770 (45.0) | 1.040 (26.4) | 1.330 (33.8) | 2.062 (52.4) | 2.062 (52.4) |
| 24 | 1.438 - 18 UNEF | 1.890 (48.0) | 1.070 (27.2) | 1.350 (34.3) | 2.125 (54.0) | 2.125 (54.0) |

TABLE II: Shell Size and Cable Entry for Straight Configuration Only

| Shell Size | E Dia Cable Entry Size 01 ±.010 (0.30) | E Dia Cable Entry Size 02 ±.010 (0.30) |
|------------|---|---|
| 08 | N/A | .250 (6.4) |
| 10 | N/A | .312 (7.9) |
| 12 | .312 (7.9) | .438 (11.1) |
| 14 | .438 (11.1) | .562 (14.3) |
| 16 | .500 (12.7) | .625 (15.9) |
| 18 | .625 (15.9) | .750 (19.1) |
| 20 | .625 (15.9) | .812 (20.6) |
| 22 | .688 (17.5) | .938 (23.8) |
| 24 | .750 (19.1) | 1.000 (25.4) |

TABLE III: Shell Size and Cable Entry for 45° and 90° Configurations Only

| Shell Size | K Dia Cable Entry Size 02 ±.010 (0.30) | K Dia Cable Entry Size 03 ±.010 (0.30) |
|------------|---|---|
| 08 | N/A | .250 (6.4) |
| 10 | N/A | .312 (7.9) |
| 12 | .312 (7.9) | .438 (11.1) |
| 14 | .438 (11.1) | .562 (14.3) |
| 16 | .500 (12.7) | .625 (15.9) |
| 18 | .625 (15.9) | .750 (19.1) |
| 20 | .625 (15.9) | .812 (20.6) |
| 22 | .688 (17.5) | .938 (23.8) |
| 24 | .750 (19.1) | 1.000 (25.4) |

APPLICATION NOTES

1. Assembly identified with manufacturer's name and part number, space permitting.
2. For complete dimensions, see the applicable Military Specification.
3. Metric dimensions (mm) are in parentheses.
4. For use with AS85049/128 Bands.

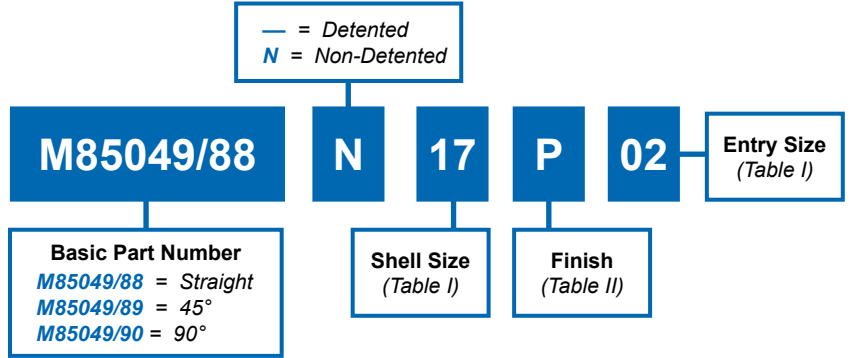
Dimensions in inches (millimeters) and are subject to change without notice.

AS85049/88, AS85049/89 and AS85049/90 Straight, 45° and 90° Banding Backshells with Self-Locking Coupling

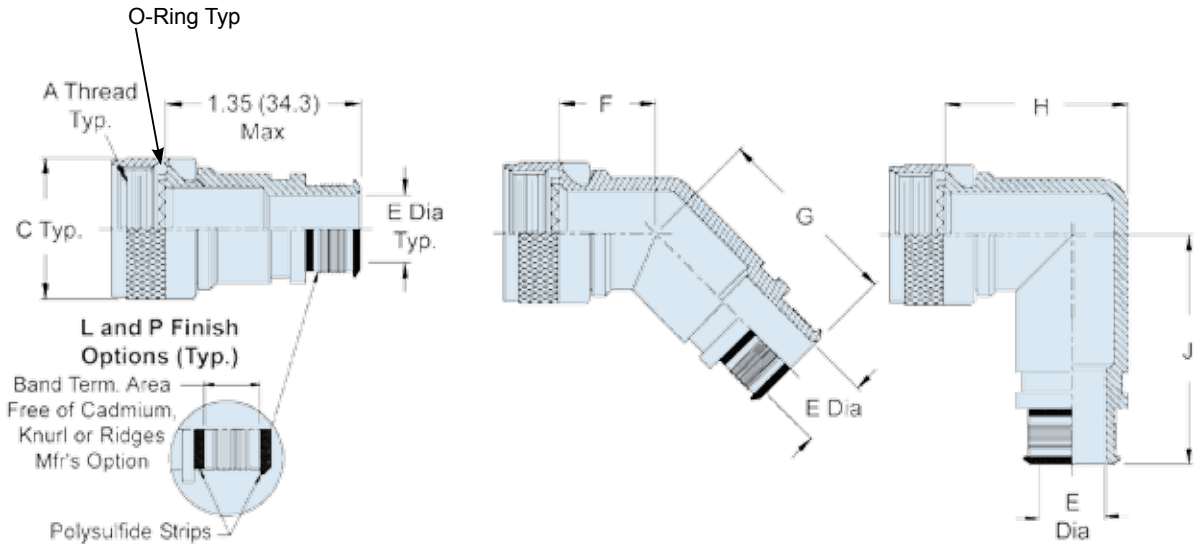


AS85049

| CONNECTOR DESIGNATOR: | |
|-----------------------|---|
| H | MIL-DTL-38999 Series III and IV EN3645 |



B



| APPLICATION NOTES |
|--|
| 1. Assembly identified with manufacturer's name and part number, space permitting. |
| 2. For complete dimensions, see the applicable Military Specification. |
| 3. Metric dimensions (mm) are in parentheses. |
| 4. For use with AS85049/128 Bands. |

Dimensions in inches (millimeters) and are subject to change without notice.



AS85049/88, AS85049/89 and AS85049/90 Straight, 45° and 90° Banding Backshells with Self-Locking Coupling

TABLE I: Shell Size, Cable Entry and Backshell Dimensions

| Shell Size | A Thread Class 2B | C Dia Max | E Dia Cable Entry Size 02 ±.010 (0.30) | E Dia Cable Entry Size 03 ±.010 (0.30) | F Max | G Max | H Max | J Max |
|------------|-------------------|--------------|---|---|--------------|--------------|--------------|--------------|
| 9 | M12 X 1 - 6H | .860 (21.8) | N/A | .250 (6.4) | 1.010 (25.7) | 1.160 (29.5) | 1.375 (34.9) | 1.417 (36.0) |
| 11 | M15 X 1 - 6H | .990 (25.1) | N/A | .312 (7.9) | 1.030 (26.2) | 1.190 (30.2) | 1.437 (36.5) | 1.480 (37.6) |
| 13 | M18 X 1 - 6H | 1.160 (29.5) | .312 (7.9) | .438 (11.1) | 1.060 (26.9) | 1.210 (30.7) | 1.562 (39.7) | 1.553 (39.4) |
| 15 | M22 X 1 - 6H | 1.280 (32.5) | .438 (11.1) | .562 (14.3) | 1.080 (27.4) | 1.240 (31.5) | 1.687 (42.8) | 1.614 (41.0) |
| 17 | M25 X 1 - 6H | 1.410 (35.8) | .500 (12.7) | .625 (15.9) | 1.110 (28.2) | 1.260 (32.0) | 1.750 (44.5) | 1.678 (42.6) |
| 19 | M28 X 1 - 6H | 1.520 (38.6) | .625 (15.9) | .750 (19.1) | 1.120 (28.4) | 1.270 (32.3) | 1.875 (47.6) | 1.733 (44.0) |
| 21 | M31 X 1 - 6H | 1.640 (41.7) | .625 (15.9) | .812 (20.6) | 1.150 (29.2) | 1.300 (33.0) | 1.938 (49.2) | 1.796 (45.6) |
| 23 | M34 X 1 - 6H | 1.770 (45.0) | .688 (17.5) | .938 (23.8) | 1.170 (29.7) | 1.330 (33.8) | 2.062 (52.4) | 1.859 (47.2) |
| 25 | M37 X 1 - 6H | 1.890 (48.0) | .750 (19.1) | 1.000 (25.4) | 1.200 (30.5) | 1.350 (34.3) | 2.125 (54.0) | 1.919 (48.7) |

TABLE II: Finish and Material

| Aluminum | Composite | Finish Description |
|----------|---------------|---|
| G | Not Available | Electroless Nickel (Space Grade) |
| N | M | Electroless Nickel |
| P | L | Cadmium Olive Drab over Electroless Nickel, Selective Plating |
| W | J | Cadmium Olive Drab |
| X | XC | Nickel Fluorocarbon Polymer |
| YP | YL | Pure Dense Electrodeposited Aluminum, Selective Plating |
| Z | ZC | Zinc Nickel |
| ZP | ZL | Zinc Nickel, Selective Plating |

Dimensions in inches (millimeters) and are subject to change without notice.

AS85049/91 and AS85049/92 Composite Strain Reliefs Self-Locking



AS85049

B

CONNECTOR DESIGNATOR:

H MIL-DTL-38999 Series III & IV,
EN3645

Material and Finish Designator

J = Composite (Conductive), Cadmium Olive Drab over Electroless Nickel
M = Composite (Conductive) Electroless Nickel
T = Composite (Non-Conductive) without Plating
XC = Composite (Conductive) Nickel Fluorocarbon Polymer
YC = Composite (Conductive) Pure Dense Electrodeposited Aluminum
ZC = Composite (Conductive) Zinc-Nickel, Black

Basic Part Number
M85049/91 = Straight
M85049/92 = 90°

M85049/92

N

11

T

-- = Detented
N = Non-Detented

Shell Size

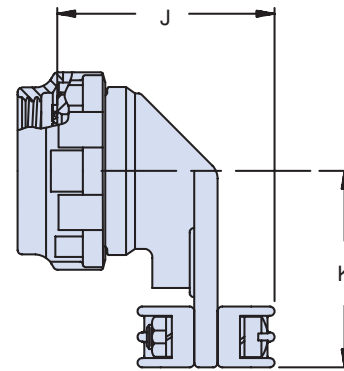
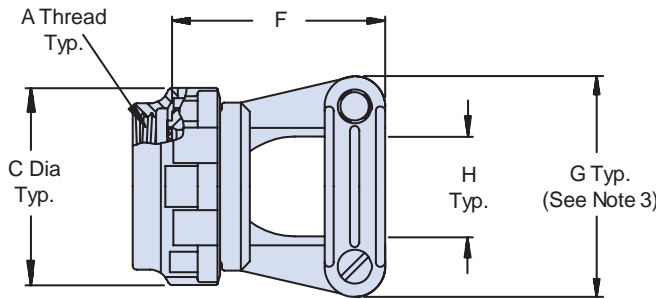


TABLE I: Shell Size, Cable Entry and Backshell Dimensions

| Shell Size | A Thread Class 2B | Ø C Max | | F Max | | G Max | | Ø H +.031 | | J Max | | K | |
|------------|-------------------|---------|--------|-------|--------|-------|--------|-----------|--------|-------|--------|-------|--------|
| | | | | | | | | | | | ±.062 | (1.6) | |
| 09 | M12 X 1 - 6H | .858 | (21.8) | .840 | (21.3) | .98 | (24.9) | .219 | (5.6) | 1.06 | (26.9) | .875 | (22.2) |
| 11 | M15 X 1 - 6H | .984 | (25.0) | .960 | (24.4) | 1.05 | (26.7) | .264 | (6.7) | 1.10 | (27.9) | .937 | (23.8) |
| 13 | M18 X 1 - 6H | 1.157 | (29.4) | 1.100 | (27.9) | 1.20 | (30.5) | .344 | (8.7) | 1.18 | (30.0) | 1.031 | (26.2) |
| 15 | M22 X 1 - 6H | 1.280 | (32.5) | 1.100 | (27.9) | 1.30 | (33.0) | .460 | (11.7) | 1.30 | (33.0) | 1.125 | (28.6) |
| 17 | M25 X 1 - 6H | 1.406 | (35.7) | 1.230 | (31.2) | 1.42 | (36.1) | .545 | (13.8) | 1.38 | (35.1) | 1.312 | (33.3) |
| 19 | M28 X 1 - 6H | 1.516 | (38.5) | 1.410 | (35.8) | 1.52 | (38.6) | .615 | (15.6) | 1.45 | (36.8) | 1.375 | (34.9) |
| 21 | M31 X 1 - 6H | 1.642 | (41.7) | 1.510 | (38.4) | 1.64 | (41.7) | .698 | (17.7) | 1.54 | (39.1) | 1.500 | (38.1) |
| 23 | M34 X 1 - 6H | 1.768 | (44.9) | 1.660 | (42.2) | 1.77 | (45.0) | .700 | (17.8) | 1.62 | (41.1) | 1.625 | (41.3) |
| 25 | M37 X 1 - 6H | 1.890 | (48.0) | 1.760 | (44.7) | 1.89 | (48.0) | .850 | (21.6) | 1.69 | (42.9) | 1.750 | (44.5) |

APPLICATION NOTES

1. Assembly to be identified with manufacturer's name and part number, space permitting.
2. Cable Entry is measured with saddle bars closed and bottomed on clamp ears.
3. For complete dimensions, see the applicable Military Specification.
4. Metric dimensions (mm) are in parentheses.

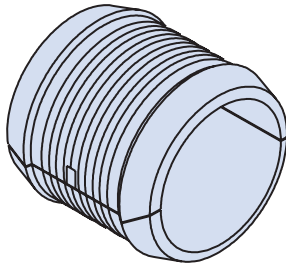
Dimensions in inches (millimeters) and are subject to change without notice.

Basic
Part Number

Dash No.

M85049/93 - 10

B



SAMPLE APPLICATION

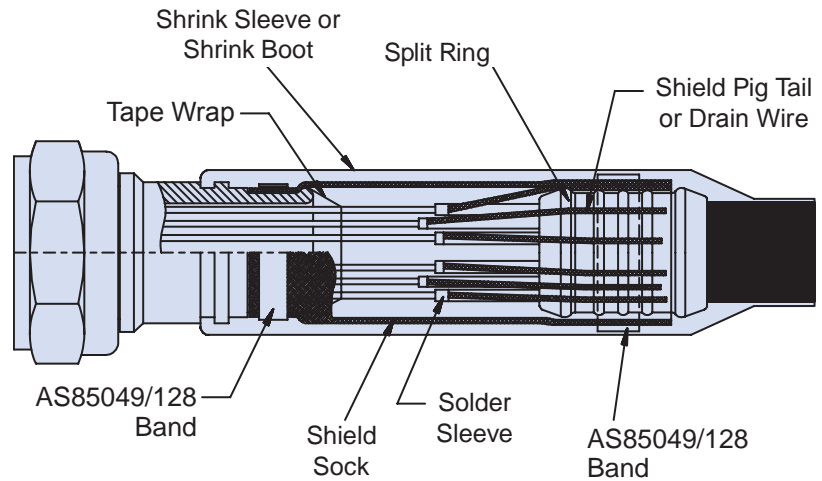
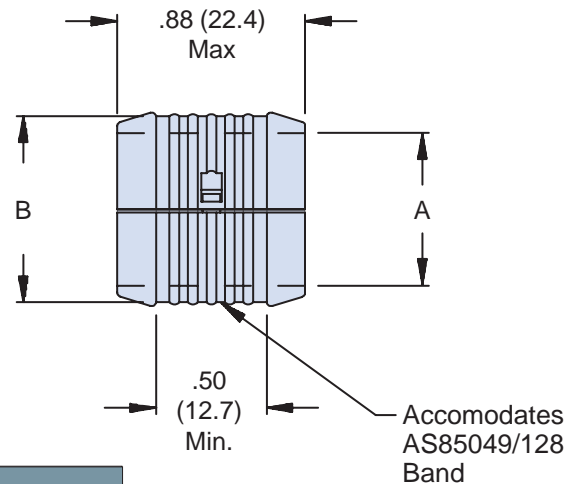


TABLE I: Reference for Connector Shell Size

| Dash No. | Ø A | | Ø B | |
|----------|-------|--------|-------|--------|
| | ±.010 | (0.3) | ±.030 | (0.8) |
| 04 | .25 | (6.4) | .36 | (9.1) |
| 06 | .38 | (9.7) | .49 | (12.4) |
| 08 | .50 | (12.7) | .61 | (15.5) |
| 10 | .63 | (16.0) | .74 | (18.8) |
| 12 | .75 | (19.1) | .86 | (21.8) |
| 14 | .88 | (22.4) | .99 | (25.1) |
| 16 | 1.00 | (25.4) | 1.11 | (28.2) |
| 18 | 1.13 | (28.7) | 1.24 | (31.5) |
| 20 | 1.25 | (31.8) | 1.36 | (34.5) |
| 22 | 1.38 | (35.1) | 1.49 | (37.8) |
| 24 | 1.50 | (38.1) | 1.61 | (40.9) |
| 26 | 1.63 | (41.4) | 1.74 | (44.2) |
| 28 | 1.75 | (44.5) | 1.86 | (47.2) |



APPLICATION NOTES

1. Assembly identified with manufacturer's name and part number, space permitting.
2. For complete dimensions, see the applicable Military Specification.
3. Use with Glenair Banding Backshells and Braid Socks. Consult factory for specific application part numbers.
4. Metric dimensions (mm) are in parentheses.
5. Material - high grade engineering thermoplastic.

Dimensions in inches (millimeters) and are subject to change without notice.

AS85049/94 Mounting Flange, Full Perimeter



AS85049

B

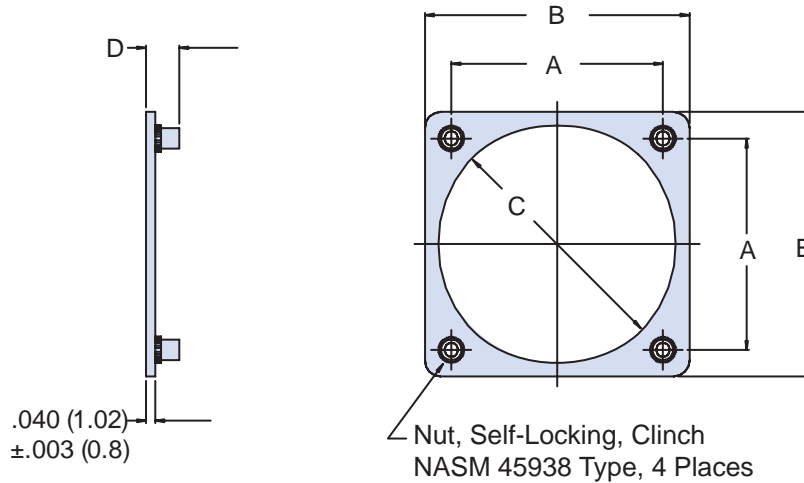
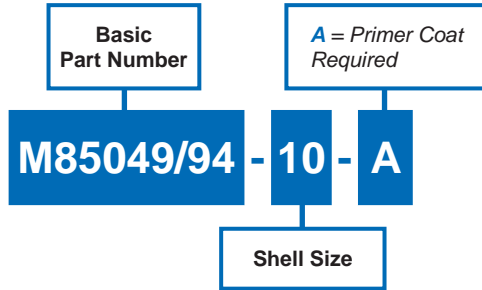


TABLE I: Reference for Connector Shell Size

| Shell Size | Thread UNJC-3B | A | | B Max | | C | | D Max | |
|------------|----------------|-------|--------|-------|--------|-------|--------|-------|-------|
| | | ±.015 | (.38) | | | ±.015 | (.4) | | |
| 8 | 4-40 | .594 | (15.1) | .900 | (22.9) | .570 | (14.5) | .166 | (4.2) |
| 10 | 4-40 | .719 | (18.3) | 1.034 | (26.3) | .720 | (18.3) | .166 | (4.2) |
| 12 | 4-40 | .812 | (20.6) | 1.119 | (28.4) | .845 | (21.5) | .166 | (4.2) |
| 14 | 4-40 | .906 | (23.0) | 1.213 | (30.8) | .975 | (24.8) | .166 | (4.2) |
| 16 | 4-40 | .969 | (24.6) | 1.295 | (32.9) | 1.085 | (27.6) | .166 | (4.2) |
| 18 | 4-40 | 1.062 | (27.0) | 1.421 | (36.1) | 1.210 | (30.7) | .166 | (4.2) |
| 20 | 4-40 | 1.156 | (29.4) | 1.550 | (39.4) | 1.335 | (33.9) | .166 | (4.2) |
| 22 | 4-40 | 1.250 | (31.8) | 1.680 | (42.7) | 1.470 | (37.3) | .166 | (4.2) |
| 24 | 6-32 | 1.375 | (34.9) | 1.800 | (45.7) | 1.585 | (40.3) | .183 | (4.6) |
| 25 | 6-32 | 1.500 | (38.1) | 1.910 | (48.5) | 1.658 | (42.1) | .183 | (4.6) |

- APPLICATION NOTES**
1. Assembly identified with manufacturer's name and part number, space permitting.
 2. For complete dimensions, see the applicable Military Specification.
 3. Metric dimensions (mm) are in parentheses.

Dimensions in inches (millimeters) and are subject to change without notice.

Basic
Part Number

A = Primer Coat
Required

M85049/95 - 10A - A

Shell Size
and Class

APPLICATION NOTES

1. Assembly identified with manufacturer's name and part number, space permitting.
2. For complete dimensions, see the applicable Military Specification.
3. Metric dimensions (mm) are in parentheses.

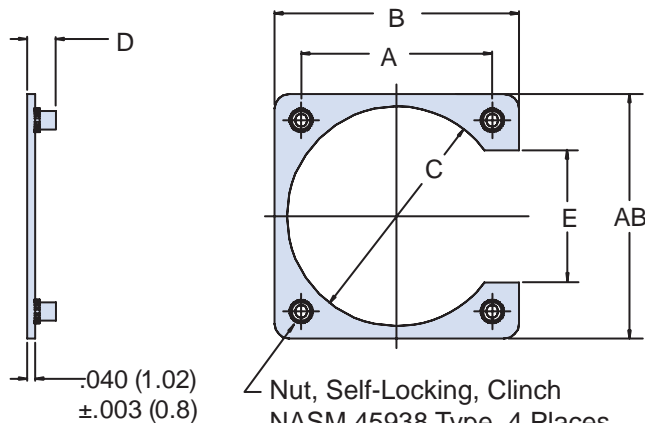


TABLE I: Reference for Connector Shell Size

| Shell Size & Class | Thread UNJC-3B | A ±.003 (0.1) | | B ±.015 (0.4) | | C ±.015 (0.4) | | D Max | | E ±.030 (0.8) | |
|--------------------|----------------|------------------|--------|------------------|--------|------------------|--------|----------|-------|------------------|--------|
| | | | | | | | | | | | |
| 3A | 4-40 | .625 | (15.9) | .925 | (23.5) | .641 | (16.3) | .166 | (4.2) | .325 | (8.3) |
| 7A | 4-40 | .719 | (18.3) | 1.019 | (25.9) | .688 | (17.5) | .166 | (4.2) | .433 | (11.0) |
| 8A | 4-40 | .594 | (15.1) | .880 | (22.4) | .570 | (14.5) | .166 | (4.2) | .308 | (7.8) |
| 10A | 4-40 | .719 | (18.3) | 1.019 | (25.9) | .720 | (18.3) | .166 | (4.2) | .433 | (11.0) |
| 10B | 6-32 | .812 | (20.6) | 1.312 | (33.3) | .749 | (19.0) | .183 | (4.6) | .433 | (11.0) |
| 12A | 4-40 | .812 | (20.6) | 1.104 | (28.0) | .855 | (21.7) | .166 | (4.2) | .530 | (13.5) |
| 12B | 6-32 | .938 | (23.8) | 1.312 | (33.3) | .938 | (23.8) | .183 | (4.6) | .530 | (13.5) |
| 14A | 4-40 | .906 | (23.0) | 1.198 | (30.4) | .984 | (25.0) | .166 | (4.2) | .624 | (15.8) |
| 14B | 6-32 | 1.031 | (26.2) | 1.406 | (35.7) | 1.031 | (26.2) | .183 | (4.6) | .624 | (15.8) |
| 16A | 4-40 | .969 | (24.6) | 1.280 | (32.5) | 1.094 | (27.8) | .166 | (4.2) | .687 | (17.4) |
| 16B | 6-32 | 1.125 | (28.6) | 1.500 | (38.1) | 1.125 | (28.6) | .183 | (4.6) | .687 | (17.4) |
| 18A | 4-40 | 1.062 | (27.0) | 1.406 | (35.7) | 1.220 | (31.0) | .166 | (4.2) | .780 | (19.8) |
| 18B | 6-32 | 1.203 | (30.6) | 1.578 | (40.1) | 1.234 | (31.3) | .183 | (4.6) | .780 | (19.8) |
| 19A | 4-40 | .906 | (23.0) | 1.192 | (30.3) | .953 | (24.2) | .166 | (4.2) | .620 | (15.7) |
| 20A | 4-40 | 1.156 | (29.4) | 1.535 | (39.0) | 1.345 | (34.2) | .166 | (4.2) | .874 | (22.2) |
| 20B | 6-32 | 1.297 | (32.9) | 1.688 | (42.9) | 1.359 | (34.5) | .183 | (4.6) | .865 | (22.0) |
| 22A | 4-40 | 1.250 | (31.8) | 1.665 | (42.3) | 1.478 | (37.5) | .166 | (4.2) | .968 | (24.6) |
| 22B | 6-32 | 1.375 | (34.9) | 1.738 | (44.1) | 1.483 | (37.7) | .183 | (4.6) | .907 | (23.0) |
| 24A | 6-32 | 1.500 | (38.1) | 1.891 | (48.0) | 1.560 | (39.6) | .183 | (4.6) | 1.000 | (25.4) |
| 24B | 6-32 | 1.375 | (34.9) | 1.785 | (45.3) | 1.595 | (40.5) | .183 | (4.6) | 1.031 | (26.2) |
| 25A | 6-32 | 1.500 | (38.1) | 1.891 | (48.0) | 1.658 | (42.1) | .183 | (4.6) | 1.125 | (28.6) |
| 27A | 4-40 | .969 | (24.6) | 1.255 | (31.9) | 1.094 | (27.8) | .166 | (4.2) | .683 | (17.3) |
| 28A | 6-32 | 1.562 | (39.7) | 2.000 | (50.8) | 1.820 | (46.2) | .183 | (4.6) | 1.125 | (28.6) |
| 32A | 6-32 | 1.750 | (44.5) | 2.312 | (58.7) | 2.062 | (52.4) | .183 | (4.6) | 1.188 | (30.2) |
| 36A | 6-32 | 1.938 | (49.2) | 2.500 | (63.5) | 2.312 | (58.7) | .183 | (4.6) | 1.375 | (34.9) |
| 37A | 4-40 | 1.187 | (30.1) | 1.500 | (38.1) | 1.281 | (32.5) | .166 | (4.2) | .874 | (22.2) |
| 61A | 4-40 | 1.437 | (36.5) | 1.812 | (46.0) | 1.594 | (40.5) | .166 | (4.2) | 1.602 | (40.7) |

Dimensions in inches (millimeters) and are subject to change without notice.

AS85049/96 Mounting Flange, 1/4 Perimeter



AS85049

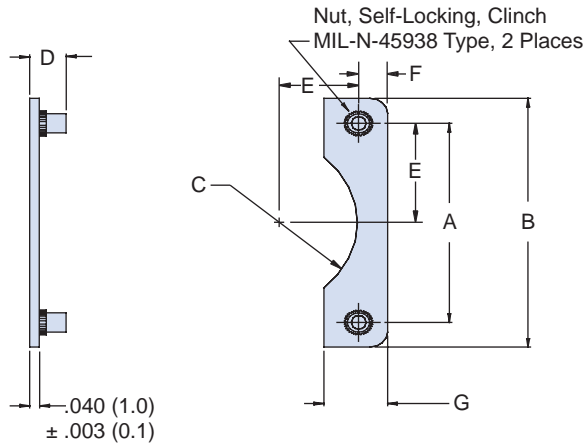
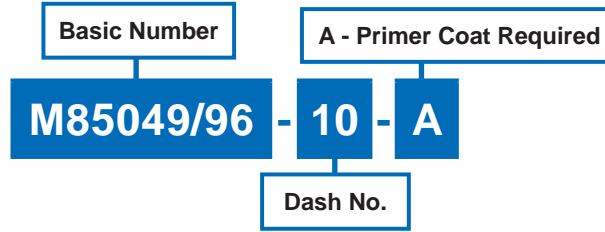


TABLE I

| Dash No. | Thread UNJC-3B | A ± .003 (0.1) | B ± .015 (0.4) | C + .015 (.4) - .000 (.0) | D ± .030 (0.8) | E ± .005 (0.1) | F (Ref) | G Max |
|----------|----------------|-------------------|-------------------|---------------------------------|-------------------|-------------------|-------------|--------------|
| 3 | 4-40 | .625 (15.9) | .925 (23.5) | .300 (7.6) | .136 (3.5) | .312 (7.92) | .150 (3.81) | .310 (7.87) |
| 7 | 4-40 | .719 (18.3) | 1.016 (25.8) | .298 (7.6) | .136 (3.5) | .359 (9.12) | .149 (3.78) | .308 (7.82) |
| 8 | 4-40 | .594 (15.1) | .891 (22.6) | .296 (7.5) | .136 (3.5) | .297 (7.54) | .148 (3.76) | .306 (7.77) |
| 10 | 4-40 | .719 (18.3) | 1.016 (25.8) | .298 (7.6) | .136 (3.5) | .359 (9.12) | .149 (3.78) | .308 (7.82) |
| 12 | 4-40 | .812 (20.6) | 1.109 (28.2) | .296 (7.5) | .136 (3.5) | .406 (10.31) | .148 (3.76) | .306 (7.77) |
| 14 | 4-40 | .906 (23.0) | 1.203 (30.6) | .296 (7.5) | .136 (3.5) | .453 (11.51) | .148 (3.76) | .306 (7.77) |
| 16 | 4-40 | .969 (24.6) | 1.266 (32.2) | .298 (7.6) | .136 (3.5) | .484 (12.29) | .149 (3.78) | .308 (7.82) |
| 18 | 4-40 | 1.062 (27.0) | 1.390 (35.3) | .328 (8.3) | .136 (3.5) | .531 (13.49) | .164 (4.17) | .338 (8.59) |
| 19 | 4-40 | .906 (23.0) | 1.203 (30.6) | .296 (7.5) | .136 (3.5) | .453 (11.51) | .148 (3.76) | .306 (7.77) |
| 20 | 4-40 | 1.156 (29.4) | 1.510 (38.4) | .354 (9.0) | .136 (3.5) | .578 (14.68) | .177 (4.50) | .364 (9.25) |
| 22 | 4-40 | 1.250 (31.8) | 1.640 (41.7) | .390 (9.9) | .136 (3.5) | .625 (15.88) | .195 (4.95) | .400 (10.16) |
| 24 | 6-32 | 1.375 (34.9) | 1.760 (44.7) | .386 (9.8) | .153 (3.9) | .687 (17.45) | .193 (4.90) | .396 (10.06) |
| 25 | 6-32 | 1.500 (38.1) | 1.859 (47.2) | .358 (9.1) | .153 (3.9) | .750 (19.05) | .179 (4.55) | .368 (9.35) |
| 27 | 4-40 | .969 (24.6) | 1.266 (32.2) | .298 (7.6) | .136 (3.5) | .484 (12.29) | .149 (3.78) | .308 (7.82) |
| 28 | 6-32 | 1.562 (39.7) | 2.000 (50.8) | .438 (11.1) | .153 (3.9) | .781 (19.84) | .219 (5.56) | .448 (11.38) |
| 32 | 6-32 | 1.750 (44.5) | 2.312 (58.7) | .562 (14.3) | .153 (3.9) | .875 (22.23) | .281 (7.14) | .572 (14.53) |
| 36 | 6-32 | 1.938 (49.2) | 2.500 (63.5) | .562 (14.3) | .153 (3.9) | .969 (24.61) | .281 (7.14) | .572 (14.53) |
| 37 | 4-40 | 1.187 (30.1) | 1.500 (38.1) | .314 (8.0) | .136 (3.5) | .593 (15.06) | .157 (3.99) | .324 (8.23) |
| 61 | 4-40 | 1.437 (36.5) | 1.812 (46.0) | .376 (9.6) | .136 (3.5) | .718 (18.24) | .188 (4.78) | .386 (9.80) |

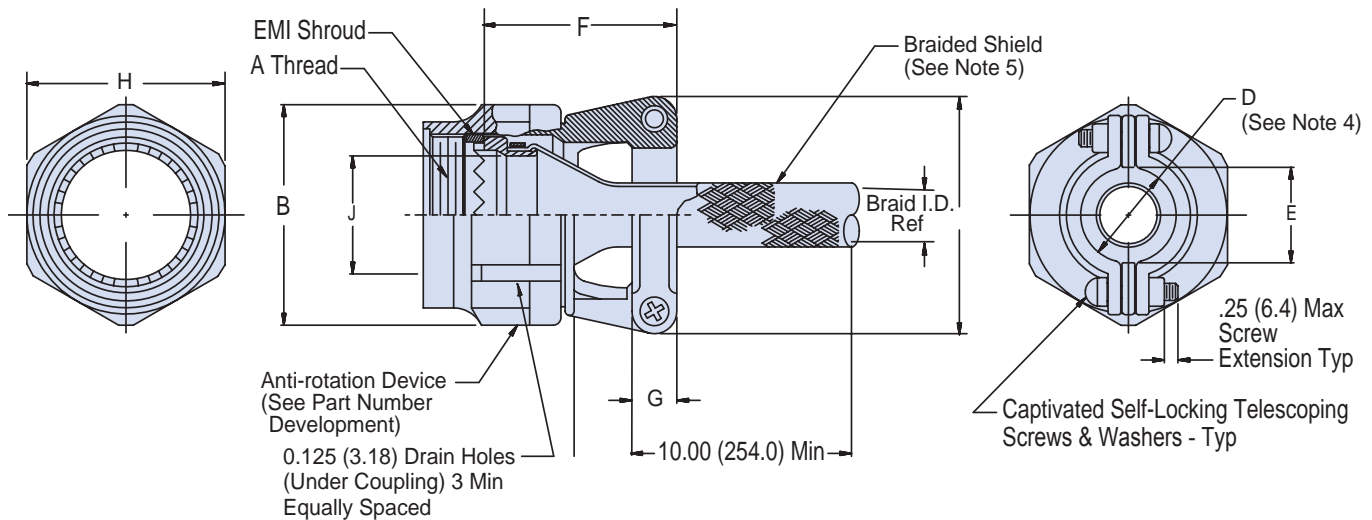
Dimensions in inches (millimeters) and are subject to change without notice.

B

AS85049/103

Composite Straight RFI/EMI Shield-Sock Adapter with Detented or Non-Detented Self-Locking Coupling Nut

CONNECTOR DESIGNATOR:
H MIL-DTL-38999 Series III and IV
EN3645

**Product Series and
Basic Part Number**
**Shell Size
(Table I)**
M85049/103 - 11 N
**N = Non-Detented Self-Locking
(Omit for Detented Self-Locking)
(See Note 6)**

APPLICATION NOTES

- For complete dimensions see the applicable Military Specification.
- Metric dimensions (mm) are in parentheses.
- Glenair 600 Series backshell assembly tools are recommended for assembly and installation.
- Cable entry is measured with saddle bars closed and bottomed on clamp ears.
- For shield/splice termination use AS85049/93 split support ring.
- Detented self-locking has a positive audible detented coupling.
- Material/Finish:
Clamp body, coupling nut, saddles - High grade engineering thermoplastic/N.A.
Clamp hardware - CRES/passivated, silver plated, mfg option
Anti-rotation device - Corrosion resistant material
Braid - Copper/nickel plated
Interface ring and shroud - Brass/nickel plated
Braid retention device - See Table II

Dimensions in inches (millimeters) and are subject to change without notice.

AS85049/103
Composite Straight RFI/EMI Shield-Sock Adapter
with Detented or Non-Detented Self-Locking Coupling Nut



AS85049

B

TABLE I: Shell Size and Dimensions

| Shell Size | A Thread Class 2B | B Max | C Max | D ± .031 (0.79) See Note 4 | E Min | F Max | G ± .030 (0.76) | H Hex | J Min | Braid I.D. Ref | Screw Size |
|------------|-------------------|---------------|--------------|-------------------------------|--------------|---------------|-----------------|------------------------------|---------------|----------------|------------|
| 09 | M12 X 1 - 6H | .858 (21.79) | .98 (24.89) | .265 (6.73) | .229 (5.82) | .939 (23.85) | .375 (9.53) | .750/.736 (19.05/18.69) | .264 (6.71) | .375 (9.53) | 4-40 |
| 11 | M15 X 1 - 6H | .984 (24.99) | 1.05 (26.67) | .310 (7.87) | .274 (6.96) | 1.059 (26.90) | .375 (9.53) | .875/.860 (22.23/21.84) | .390 (9.91) | .375 (9.53) | 4-40 |
| 13 | M18 X 1 - 6H | 1.157 (29.39) | 1.20 (30.48) | .390 (9.91) | .354 (8.99) | 1.199 (30.45) | .406 (10.31) | 1.000/.980 (25.40/24.89) | .504 (12.80) | .500 (12.70) | 6-32 |
| 15 | M22 X 1 - 6H | 1.280 (32.51) | 1.30 (33.02) | .506 (12.85) | .470 (11.94) | 1.199 (30.45) | .406 (10.31) | 1.125/1.100 (31.75/31.09) | .630 (16.00) | .500 (12.70) | 6-32 |
| 17 | M25 X 1 - 6H | 1.406 (35.71) | 1.44 (36.58) | .591 (15.01) | .555 (14.10) | 1.329 (33.76) | .406 (10.31) | 1.250/1.224 (31.75/31.09) | .756 (19.20) | .781 (19.84) | 6-32 |
| 19 | M28 X 1 - 6H | 1.516 (38.51) | 1.56 (39.62) | .661 (16.79) | .625 (15.88) | 1.509 (38.33) | .406 (10.31) | 1.375/1.348 (34.93/34.24) | .843 (21.41) | .781 (19.84) | 6-32 |
| 21 | M31 X 1 - 6H | 1.642 (41.71) | 1.69 (42.93) | .744 (18.90) | .708 (17.98) | 1.609 (40.87) | .406 (10.31) | 1.500/1.469 (38.10/37.31) | .969 (24.61) | 1.000 (25.40) | 6-32 |
| 23 | M34 X 1 - 6H | 1.768 (44.91) | 1.77 (44.96) | .826 (20.98) | .790 (20.07) | 1.759 (44.68) | .406 (10.31) | 1.625/1.581 (41.28/40.16) | 1.091 (27.71) | 1.000 (25.40) | 6-32 |
| 25 | M37 X 1 - 6H | 1.890 (48.01) | 1.89 (48.01) | .896 (22.76) | .860 (21.84) | 1.859 (47.22) | .406 (10.31) | 1.750/1.690 (44.45/42.93) | 1.217 (30.91) | 1.250 (31.75) | 6-32 |

Table II (Manufacturer's Option)

| Material | Finish |
|-----------------|------------------------|
| Aluminum Alloy | Iridite per AMS-C-5541 |
| Stainless Steel | Passivated |
| Copper | Tin Plate |

Dimensions in inches (millimeters) and are subject to change without notice.

© 2013 Glenair, Inc.

U.S. CAGE Code 06324

Printed in U.S.A.

AS85049/104

Composite 45° RFI/EMI Shield-Sock Adapter with Detented or Non-Detented Self-Locking Coupling Nut

CONNECTOR DESIGNATOR:

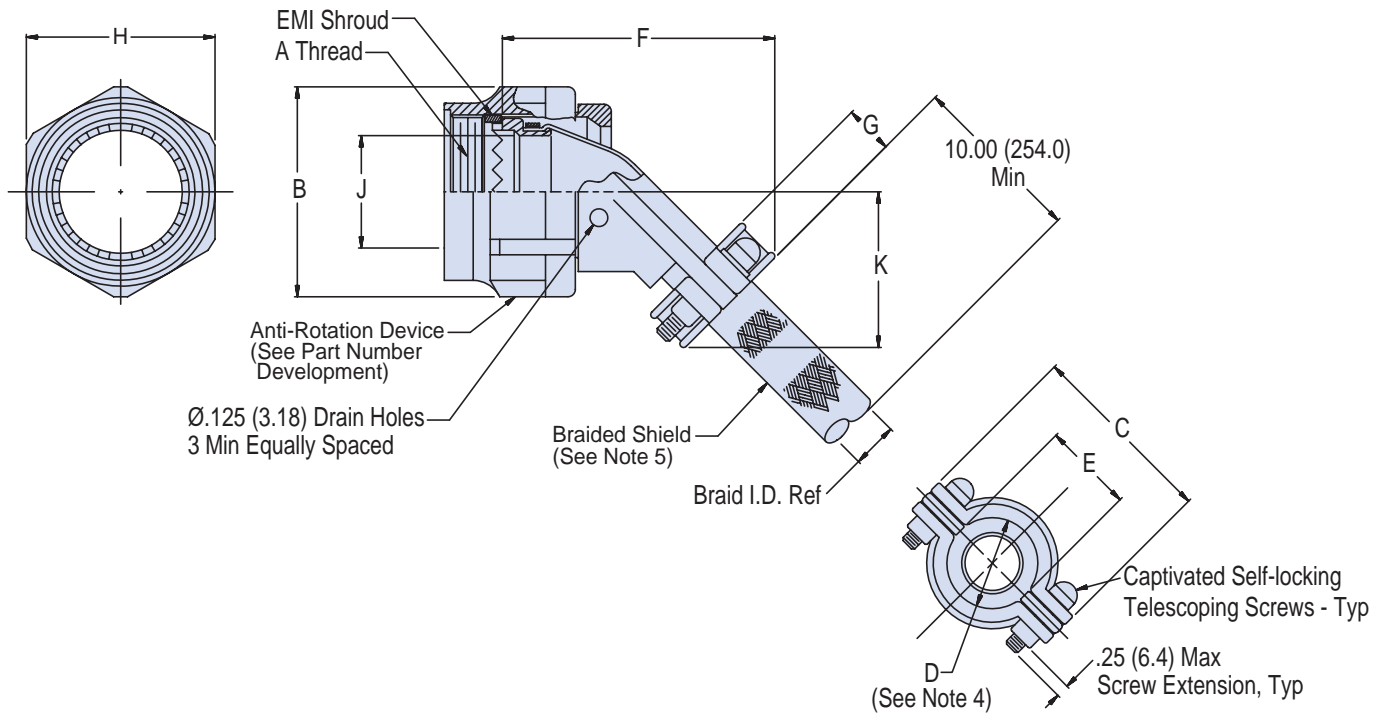
H MIL-DTL-38999 Series III and IV
EN3645

Product Series and
Basic Part Number

Shell Size
(Table I)

M85049/104 - 11 N

*N = Non-Detented Self-Locking
(Omit for Detented Self-Locking)
(See Note 6)*



APPLICATION NOTES

- For complete dimensions see the applicable Military Specification.
- Metric dimensions (mm) are in parentheses.
- Glenair 600 Series backshell assembly tools are recommended for assembly and installation.
- Cable entry is measured with saddle bars closed and bottomed on clamp ears.
- For shield/splice termination use AS85049/93 split support ring.
- Detented self-locking has a positive audible detented coupling.
- Material/Finish:
Clamp body, coupling nut, saddles - High grade engineering thermoplastic/N.A.
Clamp hardware - CRES/passivated, silver plated, mfg option
Anti-rotation device - Corrosion resistant material
Braid - Copper/nickel plated
Interface ring and shroud - Brass/nickel plated
Braid retention device - See Table II

Dimensions in inches (millimeters) and are subject to change without notice.

AS85049/104
Composite 45° RFI/EMI Shield-Sock Adapter
with Detented or Non-Detented Self-Locking Coupling Nut



AS85049

B

TABLE I: Shell Size and Dimensions

| Shell Size | A Thread Class 2B | B Max | C Max | D ± .031 (0.79) See Note 4 | E Min | F Max | G ± .030 (0.76) | H Hex | J Min | K Max | Braid I.D. Ref | Screw Size |
|------------|-------------------|---------------|--------------|-------------------------------|--------------|---------------|-----------------|------------------------------|---------------|---------------|----------------|------------|
| 09 | M12 X 1 - 6H | .858 (21.79) | .98 (24.89) | .265 (6.73) | .229 (5.82) | 1.388 (35.26) | .375 (9.53) | .750/.736 (19.05/18.69) | .264 (6.71) | .901 (22.89) | .375 (9.53) | 4-40 |
| 11 | M15 X 1 - 6H | .984 (24.99) | 1.05 (26.67) | .310 (7.87) | .274 (6.96) | 1.428 (36.27) | .375 (9.53) | .875/.860 (22.23/21.84) | .390 (9.91) | .964 (24.39) | .375 (9.53) | 4-40 |
| 13 | M18 X 1 - 6H | 1.157 (29.39) | 1.20 (30.48) | .390 (9.91) | .354 (8.99) | 1.498 (38.05) | .406 (10.31) | 1.000/.980 (25.40/24.89) | .504 (12.80) | 1.050 (26.67) | .500 (12.70) | 6-32 |
| 15 | M22 X 1 - 6H | 1.280 (32.51) | 1.30 (33.02) | .506 (12.85) | .470 (11.94) | 1.548 (39.32) | .406 (10.31) | 1.125/1.100 (31.75/31.09) | .630 (16.00) | 1.112 (28.24) | .500 (12.70) | 6-32 |
| 17 | M25 X 1 - 6H | 1.406 (35.71) | 1.44 (36.58) | .591 (15.01) | .555 (14.10) | 1.648 (41.86) | .406 (10.31) | 1.250/1.224 (31.75/31.09) | .756 (19.20) | 1.175 (29.85) | .781 (19.84) | 6-32 |
| 19 | M28 X 1 - 6H | 1.516 (38.51) | 1.56 (39.62) | .661 (16.79) | .625 (15.88) | 1.768 (44.91) | .406 (10.31) | 1.375/1.348 (34.93/34.24) | .843 (21.41) | 1.230 (31.24) | .781 (19.84) | 6-32 |
| 21 | M31 X 1 - 6H | 1.642 (41.71) | 1.69 (42.93) | .744 (18.90) | .708 (17.98) | 1.808 (45.92) | .406 (10.31) | 1.500/1.469 (38.10/37.31) | .969 (24.61) | 1.293 (32.84) | 1.000 (25.40) | 6-32 |
| 23 | M34 X 1 - 6H | 1.768 (44.91) | 1.77 (44.96) | .826 (20.98) | .790 (20.07) | 1.858 (47.19) | .406 (10.31) | 1.625/1.581 (41.28/40.16) | 1.091 (27.71) | 1.365 (34.67) | 1.000 (25.40) | 6-32 |
| 25 | M37 X 1 - 6H | 1.890 (48.01) | 1.89 (48.01) | .896 (22.76) | .860 (21.84) | 1.898 (48.21) | .406 (10.31) | 1.750/1.690 (44.45/42.93) | 1.217 (30.91) | 1.417 (35.99) | 1.250 (31.75) | 6-32 |

Table II (Manufacturer's Option)

| Material | Finish |
|-----------------|------------------------|
| Aluminum Alloy | Iridite per AMS-C-5541 |
| Stainless Steel | Passivated |
| Copper | Tin Plate |

Dimensions in inches (millimeters) and are subject to change without notice.

© 2013 Glenair, Inc.

U.S. CAGE Code 06324

Printed in U.S.A.

AS85049/105

Composite 90° RFI/EMI Shield-Sock Adapter with Detented or Non-Detented Self-Locking Coupling Nut

CONNECTOR DESIGNATOR:

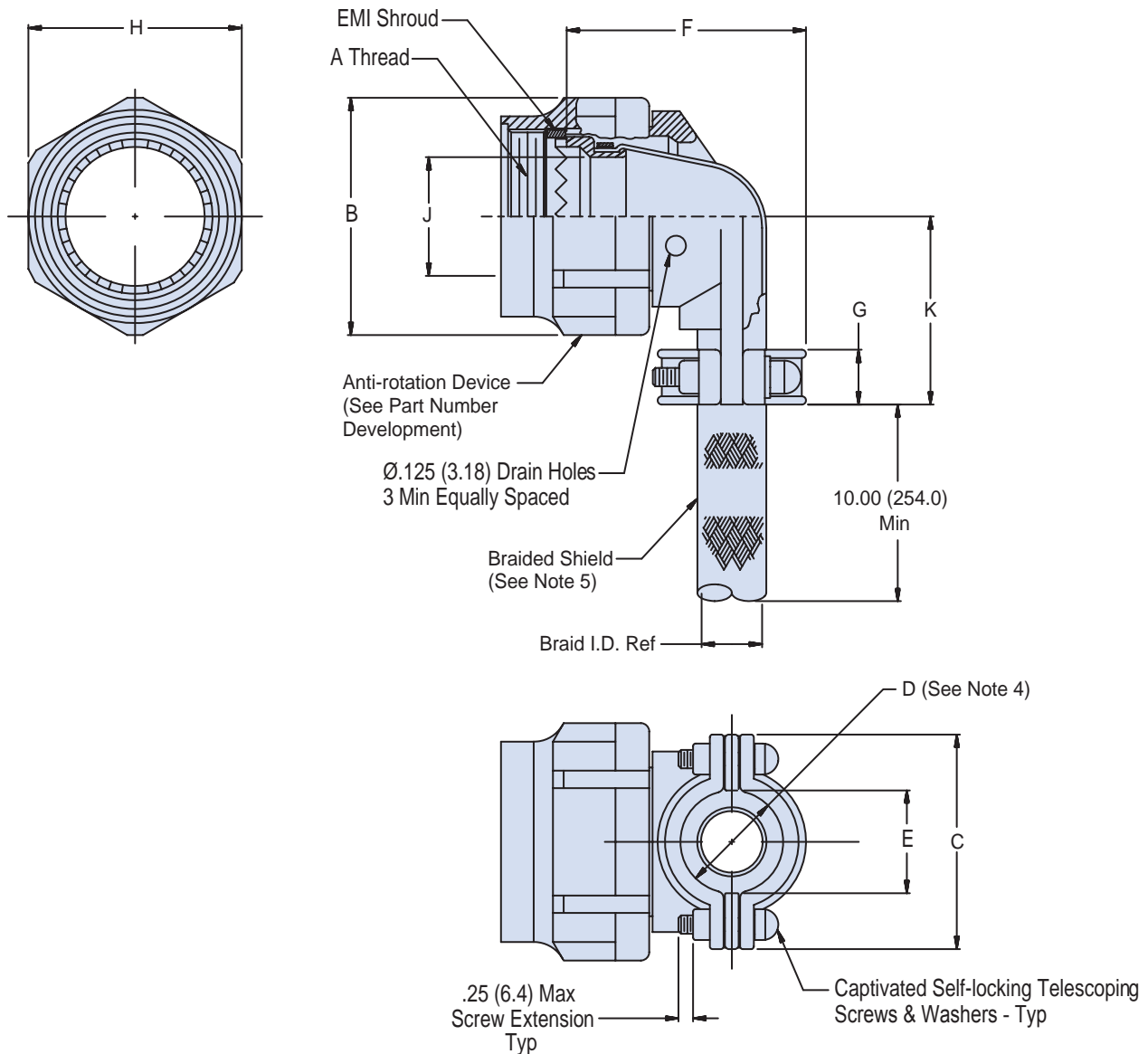
H MIL-DTL-38999 Series III and IV
EN3645

Product Series and
Basic Part Number

Shell Size
(Table I)

M85049/105 - 11 N

*N = Non-Detented Self-Locking
(Omit for Detented Self-Locking)
(See Note 6)*



Dimensions in inches (millimeters) and are subject to change without notice.

AS85049/105
Composite 90° RFI/EMI Shield-Sock Adapter
with Detented or Non-Detented Self-Locking Coupling Nut



AS85049

B

TABLE I: Shell Size and Dimensions

| Shell Size | A Thread Class 2B | B Max | C Max | D ± .031 (0.79) See Note 4 | E Min | F Max | G ± .030 (0.76) | H Hex | J Min | K Max | Braid I.D. Ref | Screw Size |
|------------|-------------------|---------------|--------------|-------------------------------|--------------|---------------|-----------------|------------------------------|---------------|--------------|----------------|------------|
| 09 | M12 X 1 - 6H | .858 (21.79) | .98 (24.89) | .265 (6.73) | .229 (5.82) | 1.128 (28.65) | .375 (9.53) | .750/.736 (19.05/18.69) | .264 (6.71) | .94 (23.88) | .375 (9.53) | 4-40 |
| 11 | M15 X 1 - 6H | .984 (24.99) | 1.05 (26.67) | .310 (7.87) | .274 (6.96) | 1.168 (29.67) | .375 (9.53) | .875/.860 (22.23/21.84) | .390 (9.91) | 1.00 (25.40) | .375 (9.53) | 4-40 |
| 13 | M18 X 1 - 6H | 1.157 (29.39) | 1.20 (30.48) | .390 (9.91) | .354 (8.99) | 1.248 (31.70) | .406 (10.31) | 1.000/.980 (25.40/24.89) | .504 (12.80) | 1.12 (28.45) | .500 (12.70) | 6-32 |
| 15 | M22 X 1 - 6H | 1.280 (32.51) | 1.30 (33.02) | .506 (12.85) | .470 (11.94) | 1.368 (34.75) | .406 (10.31) | 1.125/1.100 (31.75/31.09) | .630 (16.00) | 1.19 (30.23) | .500 (12.70) | 6-32 |
| 17 | M25 X 1 - 6H | 1.406 (35.71) | 1.44 (36.58) | .591 (15.01) | .555 (14.10) | 1.448 (36.78) | .406 (10.31) | 1.250/1.224 (31.75/31.09) | .756 (19.20) | 1.37 (34.80) | .781 (19.84) | 6-32 |
| 19 | M28 X 1 - 6H | 1.516 (38.51) | 1.56 (39.62) | .661 (16.79) | .625 (15.88) | 1.528 (38.81) | .406 (10.31) | 1.375/1.348 (34.93/34.24) | .843 (21.41) | 1.44 (36.58) | .781 (19.84) | 6-32 |
| 21 | M31 X 1 - 6H | 1.642 (41.71) | 1.69 (42.93) | .744 (18.90) | .708 (17.98) | 1.648 (41.86) | .406 (10.31) | 1.500/1.469 (38.10/37.31) | .969 (24.61) | 1.56 (39.62) | 1.000 (25.40) | 6-32 |
| 23 | M34 X 1 - 6H | 1.768 (44.91) | 1.77 (44.96) | .826 (20.98) | .790 (20.07) | 1.688 (42.88) | .406 (10.31) | 1.625/1.581 (41.28/40.16) | 1.091 (27.71) | 1.69 (42.93) | 1.000 (25.40) | 6-32 |
| 25 | M37 X 1 - 6H | 1.890 (48.01) | 1.89 (48.01) | .896 (22.76) | .860 (21.84) | 1.758 (44.65) | .406 (10.31) | 1.750/1.690 (44.45/42.93) | 1.217 (30.91) | 1.81 (45.97) | 1.250 (31.75) | 6-32 |

Table II (Manufacturer's Option)

| Material | Finish |
|-----------------|------------------------|
| Aluminum Alloy | Iridite per AMS-C-5541 |
| Stainless Steel | Passivated |
| Copper | Tin Plate |

APPLICATION NOTES

- | | |
|--|---|
| <ol style="list-style-type: none"> 1. For complete dimensions see the applicable Military Specification. 2. Metric dimensions (mm) are in parentheses. 3. Glenair 600 Series backshell assembly tools are recommended for assembly and installation. 4. Cable entry is measured with saddle bars closed and bottomed on clamp ears. 5. For shield/splice termination use AS85049/93 split support ring. | <ol style="list-style-type: none"> 6. Detented self-locking has a positive audible detented coupling. 7. Material/Finish: Clamp body, coupling nut, saddles - High grade engineering thermoplastic/N.A. Clamp hardware - CRES/passivated, silver plated, mfg option Anti-rotation device - Corrosion resistant material Braid - Copper/nickel plated Interface ring and shroud - Brass/nickel plated Braid retention device - See Table II |
|--|---|

Dimensions in inches (millimeters) and are subject to change without notice.



AS85049/109

Straight RFI/EMI Shield-Sock Metal Shrink Boot Adapter with Optional Detented or Non-Detented Self-Locking or Non-Self-Locking Coupling Nut

CONNECTOR DESIGNATOR:

A

AS50151 Series AS34001
 MIL-DTL-26482 Series II
 AS81703 Series III
 MIL-DTL-83723 Series I & III
 40M39569, DEF 5326-3
 EN 2997, EN 3646
 ESC 10, ESC 11, LN 29504
 NFC93422 Series HE302
 PAN 6432-1, PAN 6432-2
 PATT 602

B

Product Series and
Basic Part Number

M85049/109

Shell Size
(Table I)

S

Shield Finish
(Table IV)

10

Entry Size
(Table II)

T

Drain Hole
(Omit for None)

W

Entry Size
(Table II)

03

Drain Hole
(Omit for None)

6

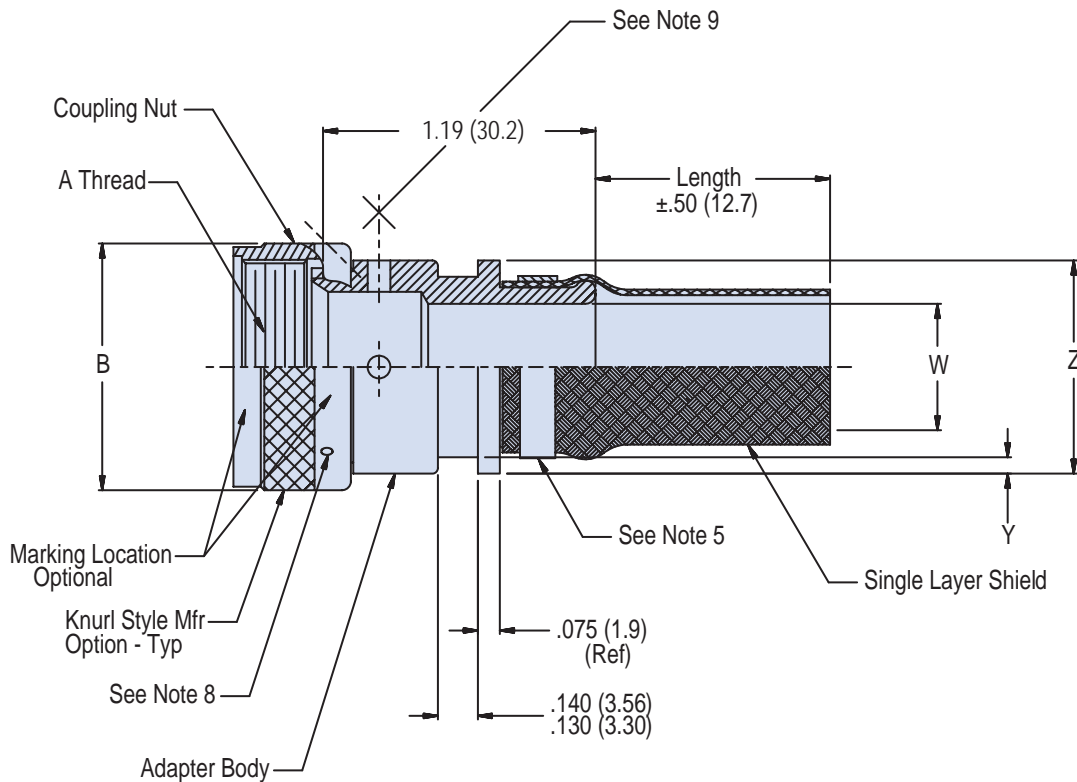
Drain Hole
(Omit for None)

D

S = Detented, Self-Locking
 - = Non-Self-Locking (Use Dash)
 N = Non-Detented, Self-Locking

Finish
(Table III)

Braid Length
1 Inch Increments,
6" Min., 18" Max



Dimensions in inches (millimeters) and are subject to change without notice.

AS85049/109
Straight RF/EMI Shield-Sock Metal
Shrink Boot Adapter with Optional Detented or Non-Detented
Self-Locking or Non-Self-Locking Coupling Nut



AS85049

B

TABLE I: Shell Size, Entry Size, Thread and Dimensions

| Accessory Shell Size Code | Allowable Cable Entry Size | Shell Size AS81703, Series III (Ref) | Shell Size MIL-DTL-26482, Series II MIL-DTL-83723, Series III (Ref) | Shell Size MIL-DTL-5015, Series I and II (Ref) | A Thread Class 2B | B Max Diameter |
|---------------------------|----------------------------|--------------------------------------|---|--|-------------------|----------------|
| 03 | 01 | 3 | - | - | 9/16-24 UNEF | .855 (22.48) |
| 08 | 01 | - | 8 | 8S | 1/2-20 UNF | .885 (22.48) |
| 10 | 01-03 | - | 10 | 10S & 10SL | 5/8-24 UNEF | 1.010 (25.65) |
| 12 | 01-05 | 7 | 12 | 12S & 12 | 3/4-20 UNEF | 1.135 (28.83) |
| 14 | 02-06 | 12 | 14 | 14S & 14 | 7/8-20 UNEF | 1.260 (32.00) |
| 16 | 04-08 | 19 | 16 | 16S & 16 | 1-20 UNEF | 1.385 (35.18) |
| 18 | 05-09 | 27 | 18 | 18 | 1 1/16-18 UNEF | 1.510 (38.35) |
| 20 | 07-11 | 37 | 20 | 20 | 1 3/16-18 UNEF | 1.635 (41.53) |
| 22 | 09-13 | - | 22 | 22 | 1 5/16-18 UNEF | 1.760 (44.70) |
| 24 | 11-14 | - | 24 | 24 | 1 7/16-18 UNEF | 1.885 (47.88) |
| 28 | 14-16 | - | - | 28 | 1 3/4-18 UNS | 2.135 (54.23) |
| 32 | 16-17 | - | - | 32 | 2-18 UNS | 2.395 (60.83) |
| 36 | 17-19 | - | - | 36 | 2 1/4-16 UN | 2.635 (66.93) |
| 40 | 19-21 | - | - | 40 | 2 1/2-16 UN | 2.885 (73.28) |
| 44 | 21-23 | - | - | 44 | 2 3/4-16 UN | 3.135 (76.63) |
| 48 | 23-25 | - | - | 48 | 3-16 UN | 3.385 (85.98) |
| 61 | 12-14 | 61 | - | - | 1 1/2-18 UNEF | 1.885 (47.88) |

TABLE II: Entry Size and Dimensions

| Entry Size | W ± .020 (.51) | Y +.008 (.20) - .000 (.00) | Z Max |
|------------|----------------|----------------------------|--------------|
| 01 | .250 (6.4) | .044 (1.12) | .560 (14.2) |
| 02 | .312 (7.9) | .044 (1.12) | .630 (16.0) |
| 03 | .375 (9.5) | .044 (1.12) | .690 (17.5) |
| 04 | .438 (11.1) | .044 (1.12) | .750 (19.1) |
| 05 | .500 (12.7) | .044 (1.12) | .820 (20.8) |
| 06 | .562 (14.3) | .044 (1.12) | .890 (22.6) |
| 07 | .625 (15.9) | .044 (1.12) | .950 (24.1) |
| 08 | .688 (17.5) | .044 (1.12) | 1.020 (25.9) |
| 09 | .750 (19.1) | .069 (1.75) | 1.120 (28.4) |
| 10 | .812 (20.6) | .069 (1.75) | 1.200 (30.5) |
| 11 | .875 (22.2) | .069 (1.75) | 1.270 (32.3) |
| 12 | .938 (23.8) | .069 (1.75) | 1.260 (32.0) |
| 13 | 1.000 (25.4) | .069 (1.75) | 1.370 (34.8) |
| 14 | 1.125 (28.6) | .069 (1.75) | 1.470 (37.3) |
| 15 | 1.250 (31.8) | .069 (1.75) | 1.600 (40.6) |
| 16 | 1.375 (34.9) | .069 (1.75) | 1.710 (43.4) |
| 17 | 1.500 (38.1) | .086 (2.18) | 1.840 (46.7) |
| 18 | 1.625 (41.3) | .086 (2.18) | 2.000 (50.8) |
| 19 | 1.750 (44.5) | .086 (2.18) | 2.120 (53.8) |
| 20 | 1.875 (47.6) | .086 (2.18) | 2.270 (57.7) |
| 21 | 2.000 (50.8) | .086 (2.18) | 2.440 (62.0) |
| 22 | 2.125 (54.0) | .086 (2.18) | 2.600 (66.0) |
| 23 | 2.250 (57.2) | .086 (2.18) | 2.750 (69.9) |
| 24 | 2.375 (60.3) | .086 (2.18) | 2.900 (73.7) |
| 25 | 2.500 (63.5) | .086 (2.18) | 3.060 (77.7) |

Table III: Symbol and Finish

| Symbol | Finish |
|--------|---|
| N | Electroless Nickel |
| W | Cadmium/Olive Drab over Electroless Nickel (1000 Hour Salt Spray) |
| X | Nickel Fluorocarbon Polymer |
| Z | Zinc Nickel |

Table IV: Symbol and Finish

| Symbol | Finish |
|--------|--------------|
| K | Nickel Plate |
| T | Tin Plate |

Table V: (Manufacturer's Option)

| Material | Finish |
|-----------------|------------|
| Copper | Tin Plate |
| Stainless Steel | Passivated |

APPLICATION NOTES

- Metric equivalents are given for general information only and are based on 1.000 inch (25.40 mm).
- Dimensions are in inches and apply after plating. Accessory configuration is optional within the specified dimension envelope.
- Adapter length is measured from the bottom of the accessory teeth to the adapter that is covered by the braid. The adapter surface under the braid shall be ribbed knurled or have a surface roughness of .125 R minimum in accordance with ANSI B46.1.
- Pig tail terminated braid material shall be in accordance with Table IV. Braid length is defined by Note 1 as shown in the part or identifying number (PIN).
- Termination band configuration is not controlled. Band with buckle may exceed the "Z" dimension (See Table II) provided the band does not interfere with boot attachment, band material shall be specified as in Table V.
- Shrink boot (when required) shall be as specified in AS5258.
- Termination of the accessory shield with harness shield may be performed with a AS85049/93 shield support ring or similar split ring accessory types.
- Three (3) holes equally spaced shall be provided and accommodate .020 (.51) maximum safety wire for the non-self-locking coupling configuration.
- Drain holes will be provided with a .125 (3.2 mm) diameter, 4 places equally spaced (optional, see part number development).
- Material/Finish:
 Adapter, coupling nut - Al alloy/See Table III
 Band - See Table V, manufacturer's option
 Braid - Copper/See Table IV

Dimensions in inches (millimeters) and are subject to change without notice.

AS85049/111

90° RF/EMI Shield-Sock Shrink Boot Adapter with Optional Self-Locking Coupling Nut

CONNECTOR DESIGNATOR:

A

AS50151 Series AS34001
MIL-DTL-26482 Series II
AS81703 Series III
MIL-DTL-83723 Series I & III
40M39569, DEF 5326-3
EN 2997, EN 3646
ESC 10, ESC 11, LN 29504
NFC93422 Series HE302
PAN 6432-1, PAN 6432-2
PATT 602

Product Series and
Specification Sheet

Shell Size
(Table I)

Shield Finish
(Table IV)

Entry Size
(Table II)

Drain Hole
(Omit for None)

M85049/111

S

10

T

W

03

- 6

D

S = Detented, Self-Locking
- = Non-Self-Locking (Use Dash)
N = Non-Detented, Self-Locking

Finish
(Table III)

Braid Length
1 Inch Increments,
6" Min., 18" Max

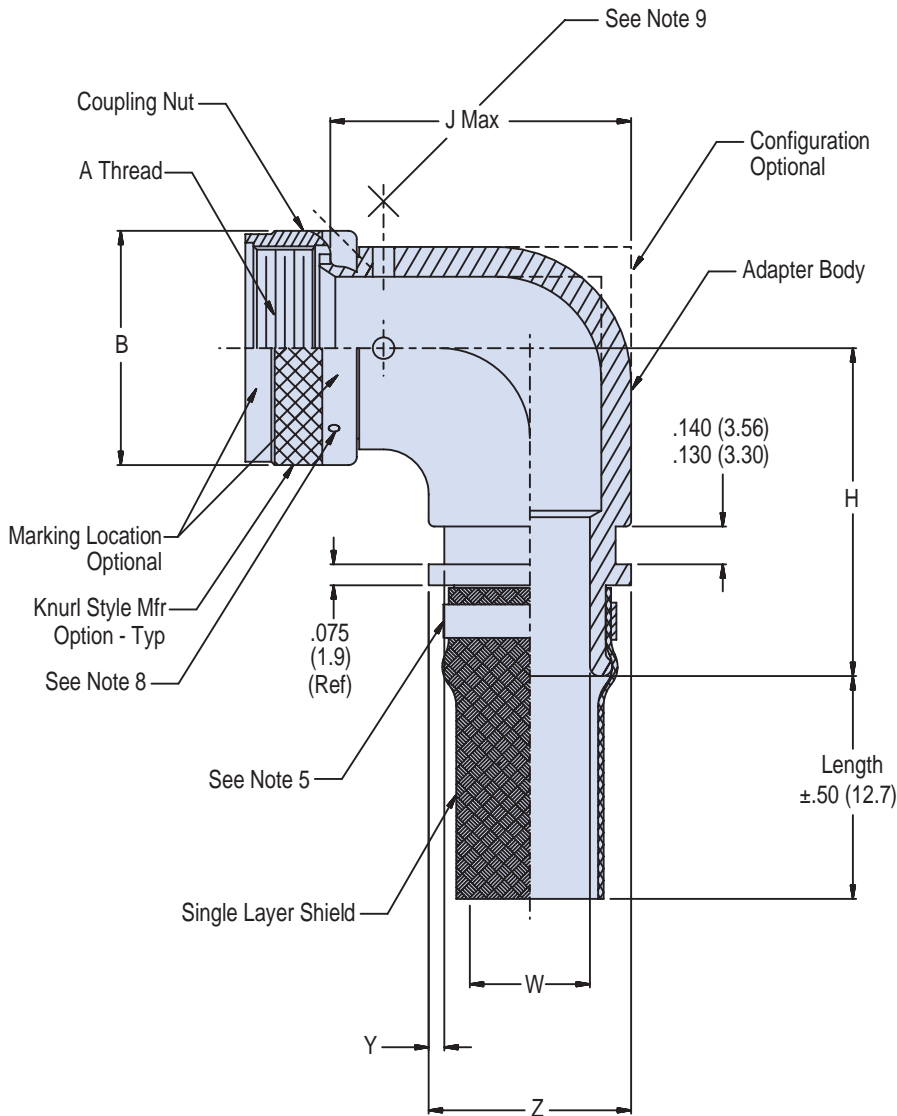


TABLE II: Entry Size and Dimensions

| Entry Size | W ± .020 (.51) | Y +.008 (.20) -.000 (.00) | Z Max |
|------------|-------------------|---------------------------------|--------------|
| 01 | .250 (6.4) | .044 (1.12) | .560 (14.2) |
| 02 | .312 (7.9) | .044 (1.12) | .630 (16.0) |
| 03 | .375 (9.5) | .044 (1.12) | .690 (17.5) |
| 04 | .438 (11.1) | .044 (1.12) | .750 (19.1) |
| 05 | .500 (12.7) | .044 (1.12) | .820 (20.8) |
| 06 | .562 (14.3) | .044 (1.12) | .890 (22.6) |
| 07 | .625 (15.9) | .044 (1.12) | .950 (24.1) |
| 08 | .688 (17.5) | .044 (1.12) | 1.020 (25.9) |
| 09 | .750 (19.1) | .069 (1.75) | 1.120 (28.4) |
| 10 | .812 (20.6) | .069 (1.75) | 1.200 (30.5) |
| 11 | .875 (22.2) | .069 (1.75) | 1.270 (32.3) |
| 12 | .938 (23.8) | .069 (1.75) | 1.260 (32.0) |
| 13 | 1.000 (25.4) | .069 (1.75) | 1.370 (34.8) |
| 14 | 1.125 (28.6) | .069 (1.75) | 1.470 (37.3) |
| 15 | 1.250 (31.8) | .069 (1.75) | 1.600 (40.6) |
| 16 | 1.375 (34.9) | .069 (1.75) | 1.710 (43.4) |
| 17 | 1.500 (38.1) | .086 (2.18) | 1.840 (46.7) |
| 18 | 1.625 (41.3) | .086 (2.18) | 2.000 (50.8) |
| 19 | 1.750 (44.5) | .086 (2.18) | 2.120 (53.8) |
| 20 | 1.875 (47.6) | .086 (2.18) | 2.270 (57.7) |
| 21 | 2.000 (50.8) | .086 (2.18) | 2.440 (62.0) |
| 22 | 2.125 (54.0) | .086 (2.18) | 2.600 (66.0) |
| 23 | 2.250 (57.2) | .086 (2.18) | 2.750 (69.9) |
| 24 | 2.375 (60.3) | .086 (2.18) | 2.900 (73.7) |
| 25 | 2.500 (63.5) | .086 (2.18) | 3.060 (77.7) |

Dimensions in inches (millimeters) and are subject to change without notice.

AS85049/111

90° RFI/EMI Shield-Sock Shrink Boot Adapter with Optional Self-Locking Coupling Nut



AS85049

B

TABLE I: Shell Size, Entry Size, Thread and Dimensions

| Accessory Shell Size Code | Allowable Cable Entry Size | Shell Size AS81703, Series III (Ref) | Shell Size MIL-DTL-26482, Series II MIL-DTL-83723, Series III (Ref) | Shell Size MIL-DTL-5015, Series I and II (Ref) | A Thread Class 2B | B Max Diameter | H Max | J Max |
|---------------------------|----------------------------|--------------------------------------|---|--|-------------------|----------------|---------------|----------------|
| 03 | 01 | 3 | - | - | 9/16-24 UNEF | .855 (22.48) | 1.730 (43.94) | 1.120 (28.45) |
| 08 | 01 | - | 8 | 8S | 1/2-20 UNF | .885 (22.48) | 1.730 (43.94) | 1.120 (28.45) |
| 10 | 01-03 | - | 10 | 10S & 10SL | 5/8-24 UNEF | 1.010 (25.65) | 1.850 (46.99) | 1.250 (31.75) |
| 12 | 01-05 | 7 | 12 | 12S & 12 | 3/4-20 UNEF | 1.135 (28.83) | 1.870 (47.50) | 1.380 (35.05) |
| 14 | 02-06 | 12 | 14 | 14S & 14 | 7/8-20 UNEF | 1.260 (32.00) | 1.940 (49.28) | 1.440 (36.58) |
| 16 | 04-08 | 19 | 16 | 16S & 16 | 1-20 UNEF | 1.385 (35.18) | 2.030 (51.56) | 1.560 (39.62) |
| 18 | 05-09 | 27 | 18 | 18 | 1 1/16-18 UNEF | 1.510 (38.35) | 2.200 (55.88) | 1.750 (44.45) |
| 20 | 07-11 | 37 | 20 | 20 | 1 3/16-18 UNEF | 1.635 (41.53) | 2.200 (55.88) | 1.750 (44.45) |
| 22 | 09-13 | - | 22 | 22 | 1 5/16-18 UNEF | 1.760 (44.70) | 2.310 (58.67) | 2.000 (50.80) |
| 24 | 11-14 | - | 24 | 24 | 1 7/16-18 UNEF | 1.885 (47.88) | 2.310 (58.67) | 2.000 (50.80) |
| 28 | 14-16 | - | - | 28 | 1 3/4-18 UNS | 2.135 (54.23) | 2.480 (62.99) | 2.250 (57.15) |
| 32 | 16-17 | - | - | 32 | 2-18 UNS | 2.395 (60.83) | 2.730 (69.34) | 2.750 (69.85) |
| 36 | 17-19 | - | - | 36 | 2 1/4-16 UN | 2.635 (66.93) | 2.730 (69.34) | 3.125 (79.38) |
| 40 | 19-21 | - | - | 40 | 2 1/2-16 UN | 2.885 (73.28) | 2.880 (73.15) | 4.125 (104.77) |
| 44 | 21-23 | - | - | 44 | 2 3/4-16 UN | 3.135 (76.63) | 3.000 (76.20) | 4.125 (104.77) |
| 48 | 23-25 | - | - | 48 | 3-16 UN | 3.385 (85.98) | 3.120 (79.25) | 4.125 (104.77) |
| 61 | 12-14 | 61 | - | - | 1 1/2-18 UNEF | 1.885 (47.88) | 2.380 (60.45) | 2.250 (57.15) |

Table III: Symbol and Finish

| Symbol | Finish |
|--------|---|
| N | Electroless Nickel |
| W | Cadmium/Olive Drab over Electroless Nickel (1000 Hour Salt Spray) |
| X | Nickel Fluorocarbon Polymer |
| Z | Zinc Nickel |

Table IV: Symbol and Finish

| Symbol | Finish |
|--------|--------------|
| K | Nickel Plate |
| T | Tin Plate |

Table V: (Manufacturer's Option)

| Material | Finish |
|-----------------|------------|
| Copper | Tin Plate |
| Stainless Steel | Passivated |

APPLICATION NOTES

- Metric equivalents are given for general information only and are based on 1.000 inch (25.40 mm).
- Dimensions are in inches and apply after plating. Accessory configuration is optional within the specified dimension envelope.
- Adapter length is measured from the bottom of the accessory teeth to the adapter that is covered by the braid. The adapter surface under the braid shall be ribbed knurled or have a surface roughness of .125 R minimum in accordance with ANSI B46.1.
- Pig tail terminated braid material shall be in accordance with Table IV. Braid length is defined by Note 1 as shown in the part or identifying number (PIN).
- Termination band configuration is not controlled. Band with buckle may exceed the "Z" dimension (See Table II) provided the band does not interfere with boot attachment, band material shall be specified as in Table V.
- Shrink boot (when required) shall be as specified in AS5258.
- Termination of the accessory shield with harness shield may be performed with a AS85049/93 shield support ring or similar split ring accessory types.
- Three (3) holes equally spaced shall be provided and accommodate .020 (.51) maximum safety wire for the non-self-locking coupling configuration.
- Drain holes will be provided with a .125 (3.2 mm) diameter, 4 places equally spaced (optional, see part number development).
- Material/Finish:
Adapter, coupling nut - Al alloy/See Table III
Band - See Table V, manufacturer's option
Braid - Copper/See Table IV

Dimensions in inches (millimeters) and are subject to change without notice.

AS85049/112

Straight RFI/EMI Shield-Sock Shrink Boot Adapter with Optional Self-Locking Coupling Nut

CONNECTOR DESIGNATOR:

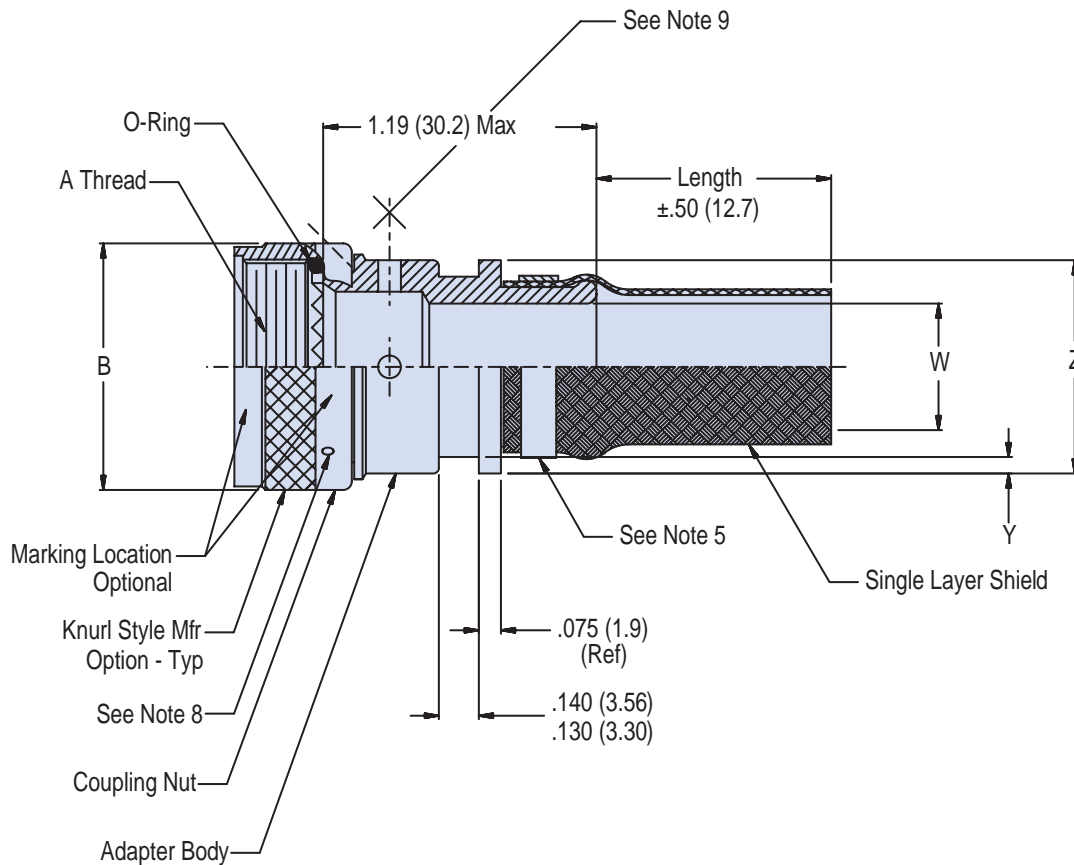
F MIL-DTL-38999 Series I and II

**Product Series and
Specification Sheet**
**Shell Size
(Table I)**
**Shield Finish
(Table IV)**
**Entry Size
(Table II)**
**Drain Hole
(Omit for None)**
M85049/112
S
10
T
W
03
- 6
D

S = Detented, Self-Locking
 - = Non-Self-Locking (Use Dash)
N = Non-Detented, Self-Locking

**Finish
(Table III)**

**Braid Length
1 Inch Increments,
6" Min., 18" Max**



Dimensions in inches (millimeters) and are subject to change without notice.

AS85049/112

Straight RFI/EMI Shield-Sock Shrink Boot Adapter with Optional Self-Locking Coupling Nut



AS85049

B

TABLE I: Shell Size, Entry Size, Thread and Dimensions

| Accessory Shell Size Code | Series I Shell Size (Ref) | Series II Shell Size (Ref) | A Thread Class 2B | B Max Diameter | Allowable Cable Entry Size |
|---------------------------|---------------------------|----------------------------|-------------------|----------------|----------------------------|
| 08 | 9 | 8 | 7/16-28 UNEF | .858 (21.79) | 01 |
| 10 | 11 | 10 | 9/16-24 UNEF | .984 (24.99) | 01-03 |
| 12 | 13 | 12 | 11/16-24 UNEF | 1.157 (29.39) | 01-05 |
| 14 | 15 | 14 | 13/16-20 UNEF | 1.279 (32.49) | 03-07 |
| 16 | 17 | 16 | 15/16-20 UNEF | 1.406 (35.71) | 05-09 |
| 18 | 19 | 18 | 1 1/16-18 UNEF | 1.516 (38.51) | 06-10 |
| 20 | 21 | 20 | 1 3/16-18 UNEF | 1.642 (41.71) | 08-12 |
| 22 | 23 | 22 | 1 5/16-18 UNEF | 1.768 (44.91) | 09-13 |
| 24 | 25 | 24 | 1 7/16-18 UNEF | 1.889 (47.98) | 10-14 |

TABLE II: Entry Size and Dimensions

| Entry Size | W ± .020 (.51) | Y +.008 (.20) -.000 (.00) | Z Max |
|------------|-------------------|---------------------------------|--------------|
| 01 | .250 (6.4) | .044 (1.12) | .560 (14.2) |
| 02 | .312 (7.9) | .044 (1.12) | .630 (16.0) |
| 03 | .375 (9.5) | .044 (1.12) | .690 (17.5) |
| 04 | .438 (11.1) | .044 (1.12) | .750 (19.1) |
| 05 | .500 (12.7) | .044 (1.12) | .820 (20.8) |
| 06 | .562 (14.3) | .044 (1.12) | .890 (22.6) |
| 07 | .625 (15.9) | .044 (1.12) | .950 (24.1) |
| 08 | .688 (17.5) | .044 (1.12) | 1.020 (25.9) |
| 09 | .750 (19.1) | .069 (1.75) | 1.120 (28.4) |
| 10 | .812 (20.6) | .069 (1.75) | 1.200 (30.5) |
| 11 | .875 (22.2) | .069 (1.75) | 1.270 (32.3) |
| 12 | .938 (23.8) | .069 (1.75) | 1.260 (32.0) |
| 13 | 1.000 (25.4) | .069 (1.75) | 1.370 (34.8) |
| 14 | 1.125 (28.6) | .069 (1.75) | 1.470 (37.3) |

Table III: Symbol and Finish

| Symbol | Finish |
|--------|---|
| N | Electroless Nickel |
| W | Cadmium/Olive Drab over Electroless Nickel (1000 Hour Salt Spray) |
| X | Nickel Fluorocarbon Polymer |
| Z | Zinc Nickel |

Table IV: Symbol and Finish

| Symbol | Finish |
|--------|--------------|
| K | Nickel Plate |
| T | Tin Plate |

Table V: (Manufacturer's Option)

| Material | Finish |
|-----------------|------------|
| Copper | Tin Plate |
| Stainless Steel | Passivated |

APPLICATION NOTES

- Metric equivalents are given for general information only and are based on 1.000 inch (25.40 mm).
- Dimensions are in inches and apply after plating. Accessory configuration is optional within the specified dimension envelope.
- Adapter length is measured from the bottom of the accessory teeth to the adapter that is covered by the braid. The adapter surface under the braid shall be ribbed knurled or have a surface roughness of .125 R minimum in accordance with ANSI B46.1.
- Pig tail terminated braid material shall be in accordance with Table IV. Braid length is defined by Note 1 as shown in the part or identifying number (PIN).
- Termination band configuration is not controlled. Band with buckle may exceed the "Z" dimension (See Table II) provided the band does not interfere with boot attachment, band material shall be specified as in Table V.
- Shrink boot (when required) shall be as specified in AS5258.
- Termination of the accessory shield with harness shield may be performed with a AS85049/93 shield support ring or similar split ring accessory types.
- Three (3) holes equally spaced shall be provided and accommodate .020 (.51) maximum safety wire for the non-self-locking coupling configuration.
- Drain holes will be provided with a .125 (3.2 mm) diameter, 4 places equally spaces (optional, see part number development). O-Ring not required when drain hole option is specified.
- Material/Finish:
 Adapter, coupling nut - Al alloy/See Table III
 Band - See Table V, manufacturer's option
 Braid - Copper/See Table IV

Dimensions in inches (millimeters) and are subject to change without notice.

AS85049/114

90° RF/EMI Shield-Sock Shrink Boot Adapter with Detented or Non-Detented Self-Locking or Non Self-Locking Coupling Nut

CONNECTOR DESIGNATOR:

F

MIL-DTL-38999 Series I & II
40M38277, PAN 6433-1
PATT 614, PATT 616
NFC93422 Series HE308 &
HE309

Product Series and
Specification Sheet

Shield Finish
(Table IV)

Entry Size
(Table II)

Drain Hole
(Omit for None)

M85049/114

S

10

T

W

03

- 6

D

S = Detented, Self-Locking
- = Non-Self-Locking (Use Dash)
N = Non-Detented, Self-Locking

Shell Size
(Table I)

Finish
(Table III)

Braid Length
1 Inch Increments,
6" Min., 18" Max

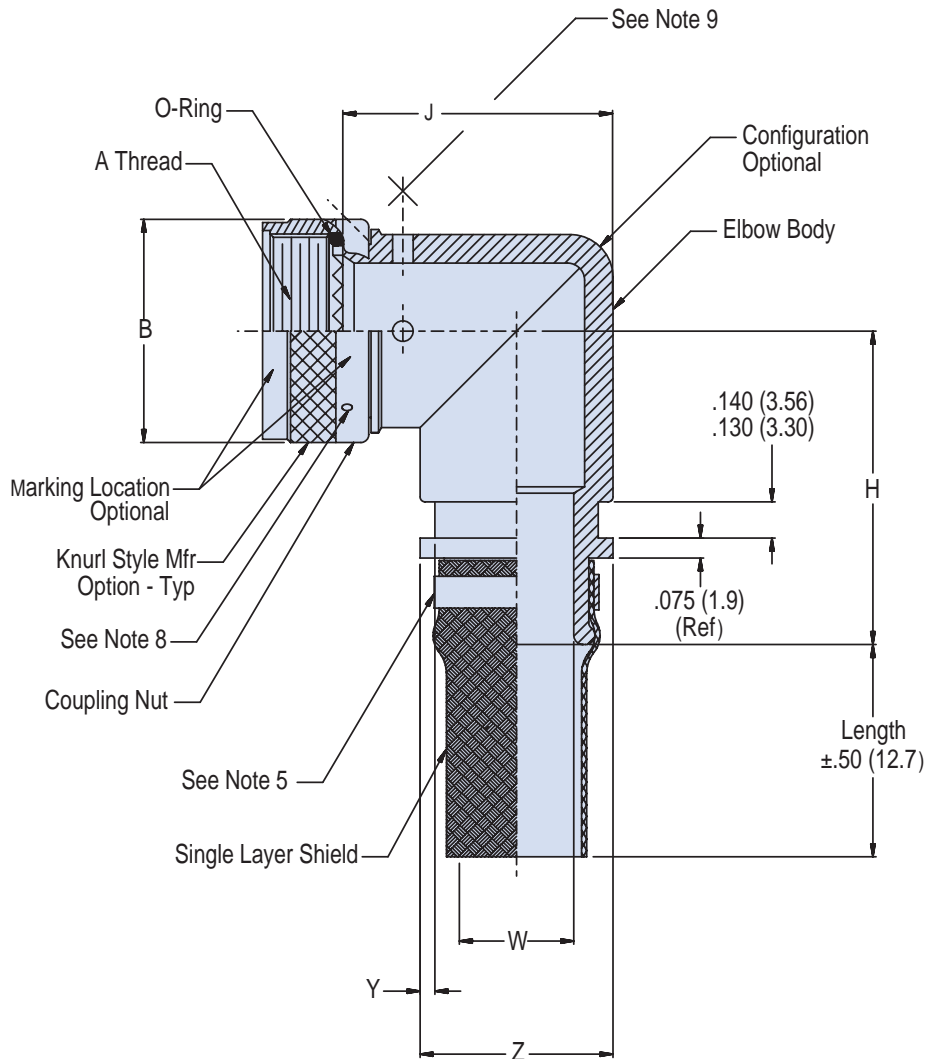


TABLE II: Entry Size and Dimensions

| Entry Size | W ± .020 (.51) | Y +.008 (.20) -.000 (.00) | Z Max |
|------------|-------------------|---------------------------------|--------------|
| 01 | .250 (6.4) | .044 (1.12) | .560 (14.2) |
| 02 | .312 (7.9) | .044 (1.12) | .630 (16.0) |
| 03 | .375 (9.5) | .044 (1.12) | .690 (17.5) |
| 04 | .438 (11.1) | .044 (1.12) | .750 (19.1) |
| 05 | .500 (12.7) | .044 (1.12) | .820 (20.8) |
| 06 | .562 (14.3) | .044 (1.12) | .890 (22.6) |
| 07 | .625 (15.9) | .044 (1.12) | .950 (24.1) |
| 08 | .688 (17.5) | .044 (1.12) | 1.020 (25.9) |
| 09 | .750 (19.1) | .069 (1.75) | 1.120 (28.4) |
| 10 | .812 (20.6) | .069 (1.75) | 1.200 (30.5) |
| 11 | .875 (22.2) | .069 (1.75) | 1.270 (32.3) |
| 12 | .938 (23.8) | .069 (1.75) | 1.260 (32.0) |
| 13 | 1.000 (25.4) | .069 (1.75) | 1.370 (34.8) |
| 14 | 1.125 (28.6) | .069 (1.75) | 1.470 (37.3) |

Dimensions in inches (millimeters) and are subject to change without notice.

AS85049/114
90° RF/EMI Shield-Sock Shrink Boot Adapter
with Detented or Non-Detented Self-Locking
or Non Self-Locking Coupling Nut



AS85049

B

TABLE I: Shell Size, Entry Size, Thread and Dimensions

| Accessory Shell Size Code | Series I Shell Size (Ref) | Series II Shell Size (Ref) | A Thread Class 2B | B Max Diameter | H Max | J Max | Allowable Cable Entry Size |
|---------------------------|---------------------------|----------------------------|-------------------|----------------|---------------|---------------|----------------------------|
| 08 | 9 | 8 | 7/16-28 UNEF | .858 (21.79) | 1.730 (43.94) | 1.070 (27.18) | 01 |
| 10 | 11 | 10 | 9/16-24 UNEF | .984 (24.99) | 1.850 (46.99) | 1.190 (30.23) | 01-03 |
| 12 | 13 | 12 | 11/16-24 UNEF | 1.157 (29.39) | 1.870 (47.50) | 1.320 (33.53) | 01-05 |
| 14 | 15 | 14 | 13/16-20 UNEF | 1.279 (32.49) | 1.940 (49.28) | 1.440 (36.58) | 03-07 |
| 16 | 17 | 16 | 15/16-20 UNEF | 1.406 (35.71) | 2.030 (51.56) | 1.570 (39.88) | 05-09 |
| 18 | 19 | 18 | 1 1/16-18 UNEF | 1.516 (38.51) | 2.200 (55.88) | 1.750 (44.45) | 06-10 |
| 20 | 21 | 20 | 1 3/16-18 UNEF | 1.642 (41.71) | 2.200 (55.88) | 1.750 (44.45) | 08-12 |
| 22 | 23 | 22 | 1 5/16-18 UNEF | 1.768 (44.91) | 2.310 (58.67) | 2.000 (50.80) | 09-13 |
| 24 | 25 | 24 | 1 7/16-18 UNEF | 1.889 (47.98) | 2.310 (58.67) | 2.000 (50.80) | 10-14 |

Table III: Symbol and Finish

| Symbol | Finish |
|--------|---|
| N | Electroless Nickel |
| W | Cadmium/Olive Drab over Electroless Nickel (1000 Hour Salt Spray) |
| X | Nickel Fluorocarbon Polymer |
| Z | Zinc Nickel |

Table IV: Symbol and Finish

| Symbol | Finish |
|--------|--------------|
| K | Nickel Plate |
| T | Tin Plate |

Table V: (Manufacturer's Option)

| Material | Finish |
|-----------------|------------|
| Copper | Tin Plate |
| Stainless Steel | Passivated |

APPLICATION NOTES

- Metric equivalents are given for general information only and are based on 1.000 inch (25.40 mm).
- Dimensions are in inches and apply after plating. Accessory configuration is optional within the specified dimension envelope.
- Adapter length is measured from the bottom of the accessory teeth to the adapter that is covered by the braid. The adapter surface under the braid shall be ribbed knurled or have a surface roughness of .125 R minimum in accordance with ANSI B46.1.
- Pig tail terminated braid material shall be in accordance with Table IV. Braid length is defined by Note 1 as shown in the part or identifying number (PIN).
- Termination band configuration is not controlled. Band with buckle may exceed the "Z" dimension (See Table II) provided the band does not interfere with boot attachment, band material shall be specified as in Table V.
- Shrink boot (when required) shall be as specified in AS5258.
- Termination of the accessory shield with harness shield may be performed with a AS85049/93 shield support ring or similar split ring accessory types.
- Three (3) holes equally spaced shall be provided and accommodate .020 (.51) maximum safety wire for the non-self-locking coupling configuration.
- Drain holes will be provided with a .125 (3.2 mm) diameter, 4 places equally spaces (optional, see part number development). O-Ring not required when drain hole option is specified.
- Material/Finish:
 Adapter, coupling nut - Al alloy/See Table III
 Band - See Table V, manufacturer's option
 Braid - Copper/See Table IV

Dimensions in inches (millimeters) and are subject to change without notice.

AS85049/115

Straight RFI/EMI Shield-Sock Shrink Boot Adapter with Optional Self-Locking Coupling Nut

CONNECTOR DESIGNATOR:

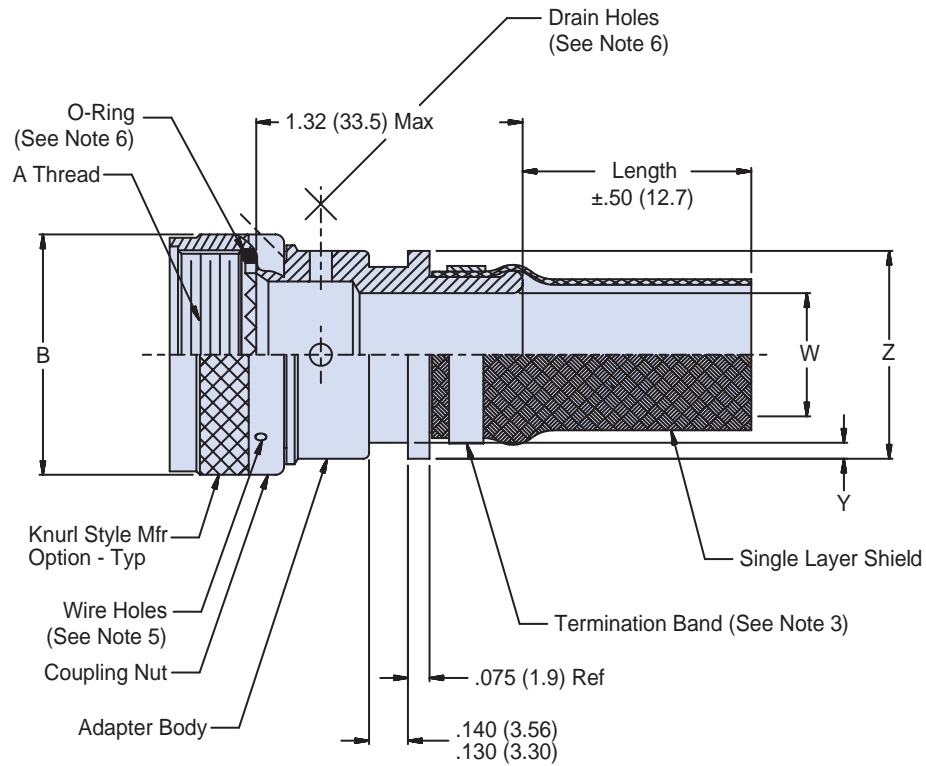
H MIL-DTL-38999 Series III and IV
EN3645

Product Series and
Basic Part NumberShell Size
(Table I)Shield Finish
(Table IV)Entry Size
(Table II)Drain Hole
(Omit for None)**M85049/115****S****11****T****W****03****- 6****D**

S = Detented, Self-Locking
- = Non-Self-Locking (Use Dash)
N = Non-Detented, Self-Locking

Finish
(Table III)

Braid Length
1 Inch Increments,
6" Min., 18" Max



Dimensions in inches (millimeters) and are subject to change without notice.

AS85049/115

Straight RFI/EMI Shield-Sock Shrink Boot Adapter with Optional Self-Locking Coupling Nut



AS85049

B

| TABLE I: Shell Size and Dimensions | | | |
|------------------------------------|-------------------|----------------|----------------------------|
| Shell Size | A Thread Class 2B | B Max Diameter | Allowable Cable Entry Size |
| 09 | M12 X 1 - 6H | .858 (21.79) | 01 |
| 11 | M15 X 1 - 6H | .984 (24.99) | 01-03 |
| 13 | M18 X 1 - 6H | 1.157 (29.39) | 01-05 |
| 15 | M22 X 1 - 6H | 1.279 (32.49) | 03-07 |
| 17 | M25 X 1 - 6H | 1.406 (35.71) | 05-09 |
| 19 | M28 X 1 - 6H | 1.516 (38.51) | 06-10 |
| 21 | M31 X 1 - 6H | 1.642 (41.71) | 08-12 |
| 23 | M34 X 1 - 6H | 1.768 (44.91) | 09-13 |
| 25 | M37 X 1 - 6H | 1.889 (47.98) | 10-14 |

| TABLE II: Entry Size and Dimensions | | | |
|-------------------------------------|-------------------|---------------------------------|--------------|
| Entry Size | W ± .020 (.51) | Y +.008 (.20) -.000 (.00) | Z Max |
| 01 | .250 (6.4) | .044 (1.12) | .560 (14.2) |
| 02 | .312 (7.9) | .044 (1.12) | .630 (16.0) |
| 03 | .375 (9.5) | .044 (1.12) | .690 (17.5) |
| 04 | .438 (11.1) | .044 (1.12) | .750 (19.1) |
| 05 | .500 (12.7) | .044 (1.12) | .820 (20.8) |
| 06 | .562 (14.3) | .044 (1.12) | .890 (22.6) |
| 07 | .625 (15.9) | .044 (1.12) | .950 (24.1) |
| 08 | .688 (17.5) | .044 (1.12) | 1.020 (25.9) |
| 09 | .750 (19.1) | .069 (1.75) | 1.120 (28.4) |
| 10 | .812 (20.6) | .069 (1.75) | 1.200 (30.5) |
| 11 | .875 (22.2) | .069 (1.75) | 1.270 (32.3) |
| 12 | .938 (23.8) | .069 (1.75) | 1.260 (32.0) |
| 13 | 1.000 (25.4) | .069 (1.75) | 1.370 (34.8) |
| 14 | 1.125 (28.6) | .069 (1.75) | 1.470 (37.3) |

| Table III: Symbol and Finish | |
|------------------------------|---|
| Symbol | Finish |
| N | Electroless Nickel |
| W | Cadmium/Olive Drab over Electroless Nickel (1000 Hour Salt Spray) |
| X | Nickel Fluorocarbon Polymer |
| Z | Zinc Nickel |

| Table IV: Symbol and Finish | |
|-----------------------------|--------------|
| Symbol | Finish |
| K | Nickel Plate |
| T | Tin Plate |

| Table V: (Manufacturer's Option) | |
|----------------------------------|------------|
| Material | Finish |
| Copper | Tin Plate |
| Stainless Steel | Passivated |

APPLICATION NOTES

- Assembly identification with manufacturer's name and part number, space permitting.
- Metric equivalents are given for general information only and are based on 1.00 inch = 25.4 mm.
- Termination band configuration is not controlled. Band with buckle may exceed the "Z" dimensions (see Table II) provided the band does not interfere with boot attachment. Band material shall be as specified in Table V.
- Termination of the accessory shield with harness shield may be performed with a GS85049/93 shield support ring or similar split ring accessory types.
- Three (3) holes equally spaced shall be provided and accommodate .020 (0.51) maximum safety wire for the non-self-locking coupling configuration.
- .125 (3.2 mm) diameter drain holes will be provided, 4 places, equally spaced (Optional, see part number development). O-Ring not required when drain hole option is specified.
- Material/Finish:
 Adapter, coupling nut - Al alloy/see Table III.
 Termination band - See Table V (manufacturer's option).
 Braid - Copper/see Table IV.
 O-Ring - Silicone/N.A.

Dimensions in inches (millimeters) and are subject to change without notice.

AS85049/117

90° RFI/EMI Shield-Sock Shrink Boot Adapter With Optional Self-Locking Coupling Nut

CONNECTOR DESIGNATOR:

H MIL-DTL-38999 Series III and IV
EN3645

Product Series and
Specification Sheet

Shield Finish
(Table IV)

Entry Size
(Table II)

Drain Hole
(Omit for None)

M85049/117

S

11

T

W

03

- 6

D

S = Detented, Self-Locking
- = Non-Self-Locking (Use Dash)
N = Non-Detented, Self-Locking

Shell Size
(Table I)

Finish
(Table III)

Braid Length
1 Inch Increments,
6" Min., 18" Max

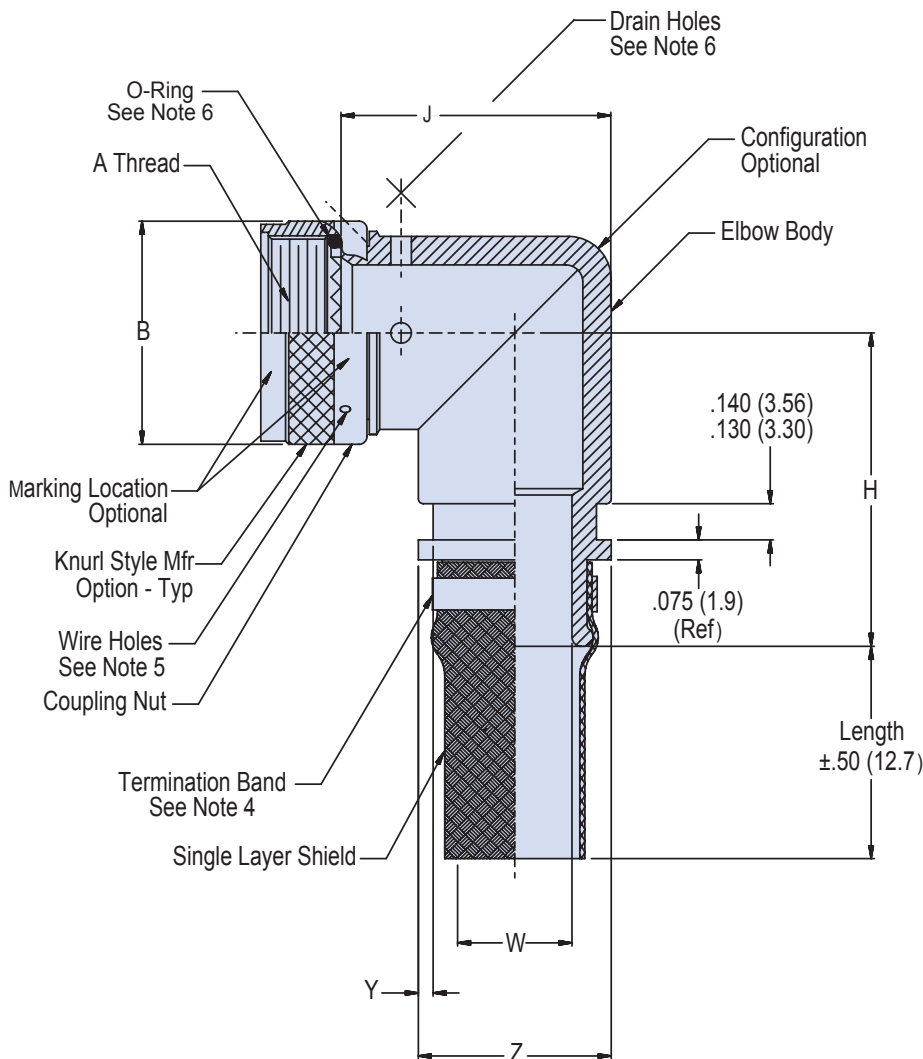


TABLE II: Entry Size and Dimensions

| Entry Size | W ± .020 (.51) | Y +.008 (.20) -.000 (.00) | Z Max |
|------------|-------------------|---------------------------------|--------------|
| 01 | .250 (6.4) | .044 (1.12) | .560 (14.2) |
| 02 | .312 (7.9) | .044 (1.12) | .630 (16.0) |
| 03 | .375 (9.5) | .044 (1.12) | .690 (17.5) |
| 04 | .438 (11.1) | .044 (1.12) | .750 (19.1) |
| 05 | .500 (12.7) | .044 (1.12) | .820 (20.8) |
| 06 | .562 (14.3) | .044 (1.12) | .890 (22.6) |
| 07 | .625 (15.9) | .044 (1.12) | .950 (24.1) |
| 08 | .688 (17.5) | .044 (1.12) | 1.020 (25.9) |
| 09 | .750 (19.1) | .069 (1.75) | 1.070 (27.2) |
| 10 | .812 (20.6) | .069 (1.75) | 1.130 (28.7) |
| 11 | .875 (22.2) | .069 (1.75) | 1.190 (30.2) |
| 12 | .938 (23.8) | .069 (1.75) | 1.260 (32.0) |
| 13 | 1.000 (25.4) | .069 (1.75) | 1.320 (33.5) |
| 14 | 1.125 (28.6) | .069 (1.75) | 1.470 (37.3) |

Dimensions in inches (millimeters) and are subject to change without notice.

AS85049/117

90° RFI/EMI Shield-Sock Shrink Boot Adapter With Optional Self-Locking Coupling Nut



AS85049

B

TABLE I: Shell Size, Entry Size, Thread and Dimensions

| Accessory Shell Size Code | A ISO Metric | B Max Diameter | H Max | J Max | Allowable Cable Entry Size |
|---------------------------|--------------|----------------|---------------|---------------|----------------------------|
| 9 | M12 x 1 - 6H | .858 (21.79) | 1.730 (43.94) | .875 (22.23) | 01 |
| 11 | M15 x 1 - 6H | .984 (24.99) | 1.850 (46.99) | 1.000 (25.40) | 01-03 |
| 13 | M18 x 1 - 6H | 1.157 (29.39) | 1.870 (47.50) | 1.125 (28.58) | 01-05 |
| 15 | M22 x 1 - 6H | 1.279 (32.49) | 1.940 (49.28) | 1.312 (33.32) | 03-07 |
| 17 | M25 x 1 - 6H | 1.406 (35.71) | 2.030 (51.56) | 1.500 (38.10) | 05-09 |
| 19 | M28 x 1 - 6H | 1.516 (38.51) | 2.200 (55.88) | 1.750 (44.45) | 06-10 |
| 21 | M31 x 1 - 6H | 1.642 (41.71) | 2.200 (55.88) | 1.750 (44.45) | 08-12 |
| 23 | M34 x 1 - 6H | 1.768 (44.91) | 2.310 (58.67) | 2.000 (50.80) | 09-13 |
| 25 | M37 x 1 - 6H | 1.889 (47.98) | 2.310 (58.67) | 2.000 (50.80) | 10-14 |

Table III: Symbol and Finish

| Symbol | Finish |
|--------|---|
| N | Electroless Nickel |
| W | Cad/O.D. over electroless nickel (1000 hour salt spray) |
| Z | Black zinc nickel (1000 hour salt spray) |

Table IV: Symbol and Finish

| Symbol | Finish |
|--------|--------------|
| K | Nickel Plate |
| T | Tin Plate |

Table V: (Manufacturer's Option)

| Material | Finish |
|-----------------|------------|
| Copper | Tin Plate |
| Stainless Steel | Passivated |

APPLICATION NOTES

- Assembly identified with manufacturer's name and part number, space permitting.
- With Optional Self-Locking Coupling Nut Metric equivalents are given for general information only and are based on 1.000 inch (25.40 mm).
- Termination band configuration is not controlled. Band with buckle may exceed the "Z" dimension (See Table II) provided the band does not interfere with boot attachment, band material shall be specified as in Table V.
- Termination of the accessory shield with harness shield may be performed with a AS85049/93 shield support ring or similar split ring accessory types.
- Three (3) holes equally spaced shall be provided and accommodate .020 (.51) maximum safety wire for the non-self-locking coupling configuration.
- Drain holes will be provided with a .125 (3.2 mm) diameter, 4 places equally spaces (optional, see part number development). O-Ring not required when drain hole option is specified.
- Material/Finish:
 Adapter, coupling nut - Al alloy/See Table III
 Band - See Table V, manufacturer's option
 Braid - Copper/See Table IV

Dimensions in inches (millimeters) and are subject to change without notice.

© 2013 Glenair, Inc.

Mil-Spec Backshells

U.S. CAGE Code 06324

Printed in U.S.A.

CONNECTOR DESIGNATOR:
A

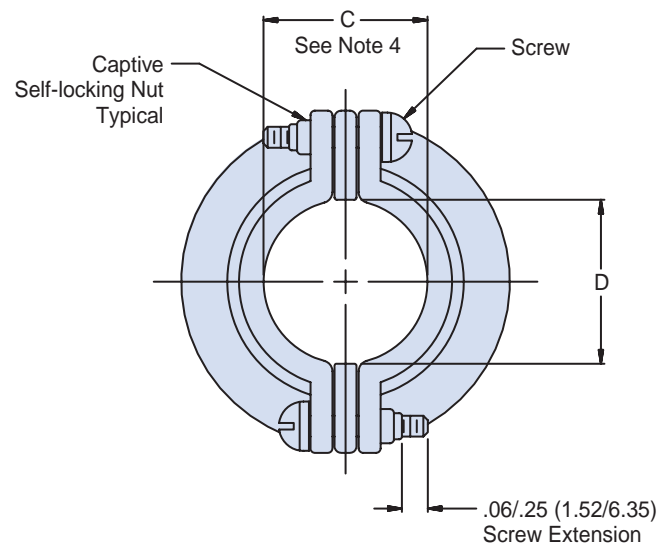
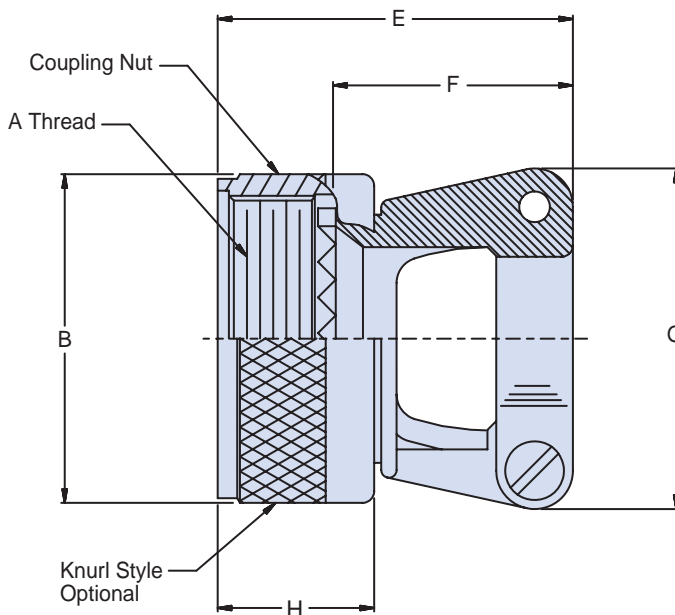
 AS5015 Series AS34001 Crimp,
 MIL-DTL-26482 Series II,
 SAE-AS1703 Crimp Series III,
 MIL-DTL-83723 Series I & III

Material and Finish Designator

A = Aluminum, Black Anodize
N = Aluminum, Electroless Nickel
S = Stainless Steel, Passivate
W = Aluminum, Cadmium, Olive Drab
X = Aluminum, Nickel Fluorocarbon Polymer
Y = Aluminum, Pure Dense Electrodeposited Aluminum
Z = Aluminum, Zinc-Nickel

B
**Product Series and
Basic Part Number**
M85049/118
S
08
W
Dash No.
Table I

S = Detented Self-Locking
N = Non-Detented Self-Locking
 Use Dash (-) for Non-Self-Locking
 (See Note 5)


APPLICATION NOTES

1. Assembly to be identified with manufacturer's name and part number, space permitting.
2. Glenair Series 600 Backshell Assembly Tools are recommended for assembly and installation.
3. Metric equivalents in parentheses (mm) are given for general information only and are based on 1.000 inch = 25.4 mm.
4. Cable entry is measured with saddle bars closed and bottomed on clamp ears.
5. Detented self-locking has a positive audible detented coupling.
6. Material/Finish:
 Clamp body, coupling nut, saddles - Al alloy or 300 Series SST/See Table II.
 Clamp screws and lock nuts - CRES/Passivated, Silver plate optional.
 Anti-rotation device - Corrosion resistant material

Dimensions in inches (millimeters) and are subject to change without notice.

AS85049/118
Straight Strain Relief
Self-Locking or Non-Self-Locking



AS85049

B

TABLE I: Dash Number, Shell Size, Thread and Dimensions (Continued Below)

| Dash No. | Screw Size | MIL-DTL-83723 Series III | MIL-DTL-5015 MS3400 Series | AS81703 Series III | MIL-DTL-26482 Series II | A Thread Class 2B | B Dia Max | C Dim ± .031 (0.8) | D Min | E Max Length |
|----------|------------|--------------------------|----------------------------|--------------------|-------------------------|-------------------|--------------|--------------------|-------------|--------------|
| 03 | 4-40 | -- | -- | 3 | -- | 9/16-24 UNEF | .95 (24.1) | .219 (5.6) | .22 (5.6) | 1.14 (29.0) |
| 08 | 4-40 | 8 | 8S | -- | 8 | 1/2-20 UNF | .89 (22.6) | .219 (5.6) | .22 (5.6) | 1.14 (29.0) |
| 10 | 4-40 | 10 | 10S, 10SL | -- | 10 | 5/8-20 UNEF | 1.01 (25.7) | .264 (6.7) | .27 (6.9) | 1.25 (31.8) |
| 12 | 4-40 | 12 | 12, 12S | 7 | 12 | 3/4-20 UNEF | 1.14 (29.0) | .344 (8.7) | .35 (8.9) | 1.38 (35.1) |
| 14 | 4-40 | 14 | 14, 14S | 12 | 14 | 7/8-20 UNEF | 1.26 (32.0) | .460 (11.7) | .47 (11.9) | 1.38 (35.1) |
| 16 | 4-40 | 16 | 16, 16S | 19 | 16 | 1-20 UNEF | 1.39 (35.3) | .545 (13.8) | .55 (14.0) | 1.50 (38.1) |
| 18 | 6-32 | 18 | 18 | 27 | 18 | 1 1/16-18 UNEF | 1.51 (38.4) | .615 (15.6) | .62 (15.7) | 1.75 (44.5) |
| 20 | 6-32 | 20 | 20 | 37 | 20 | 1 3/16-18 UNEF | 1.64 (41.7) | .698 (17.7) | .70 (17.8) | 1.88 (47.8) |
| 22 | 6-32 | 22 | 22 | -- | 24 | 1 5/16-18 UNEF | 1.176 (44.7) | .780 (19.8) | .78 (19.8) | 2.00 (50.8) |
| 24 | 8-32 | 24 | 24 | -- | -- | 1 7/16-18 UNEF | 1.89 (48.0) | .850 (21.6) | .85 (21.6) | 2.13 (54.1) |
| 28 | 8-32 | -- | 28 | -- | -- | 1 3/4-18 UNS | 2.14 (54.4) | .950 (24.1) | .95 (24.1) | 2.56 (65.0) |
| 32 | 8-32 | -- | 32 | -- | -- | 2-18 UNS | 2.40 (61.0) | 1.015 (25.8) | 1.02 (25.2) | 2.81 (71.4) |
| 36 | 8-32 | -- | 36 | -- | -- | 2 1/4-16 UN | 2.64 (67.1) | 1.187 (30.1) | 1.19 (30.2) | 3.06 (77.7) |
| 40 | 8-32 | -- | 40 | -- | -- | 2 1/2-16 UN | 2.89 (73.4) | 1.220 (31.0) | 1.22 (31.0) | 3.16 (80.3) |
| 44 | 8-32 | -- | 44 | -- | -- | 2 3/4-16 UN | 3.14 (79.8) | 1.500 (38.1) | 1.50 (38.1) | 3.53 (89.7) |
| 48 | 8-32 | -- | 48 | -- | -- | 3-16 UN | 3.39 (86.1) | 1.625 (41.3) | 1.63 (41.4) | 3.93 (99.8) |
| 61 | 8-32 | -- | -- | 61 | -- | 1 1/2-18 UNEF | 1.95 (49.5) | .850 (21.6) | .85 (21.6) | 2.13 (54.1) |

TABLE I: (Continued from Above)

| Dash No. | Screw Size | MIL-DTL-83723 Series III | MIL-DTL-5015 MS3400 Series | AS81703 Series III | MIL-DTL-26482 Series II | F Dim | G Dim Max | H Dim Max |
|----------|------------|--------------------------|----------------------------|--------------------|-------------------------|----------------------------|-------------|--------------|
| 03 | 4-40 | -- | -- | 3 | -- | .77 (19.6) .51 (13.0) | .88 (22.4) | .710 (18.00) |
| 08 | 4-40 | 8 | 8S | -- | 8 | .77 (19.6) .51 (13.0) | .88 (22.4) | .710 (18.00) |
| 10 | 4-40 | 10 | 10S, 10SL | -- | 10 | .89 (22.6) .64 (16.3) | .94 (23.9) | .710 (18.00) |
| 12 | 4-40 | 12 | 12, 12S | 7 | 12 | 1.01 (25.7) .76 (19.3) | 1.12 (28.4) | .710 (18.00) |
| 14 | 4-40 | 14 | 14, 14S | 12 | 14 | 1.01 (25.7) .76 (19.3) | 1.19 (30.3) | .710 (18.00) |
| 16 | 4-40 | 16 | 16, 16S | 19 | 16 | 1.13 (28.7) .88 (22.4) | 1.44 (36.6) | .710 (18.00) |
| 18 | 6-32 | 18 | 18 | 27 | 18 | 1.38 (35.1) 1.13 (28.7) | 1.56 (39.6) | .710 (18.00) |
| 20 | 6-32 | 20 | 20 | 37 | 20 | 1.51 (38.4) 1.25 (31.8) | 1.69 (42.9) | .710 (18.00) |
| 22 | 6-32 | 22 | 22 | -- | 24 | 1.62 (41.1) 1.38 (35.1) | 1.75 (44.5) | .710 (18.00) |
| 24 | 8-32 | 24 | 24 | -- | -- | 1.76 (44.7) 1.51 (38.4) | 1.88 (47.8) | .710 (18.00) |
| 28 | 8-32 | -- | 28 | -- | -- | 2.03 (51.6) 1.67 (42.5) | 2.12 (53.8) | .890 (22.6) |
| 32 | 8-32 | -- | 32 | -- | -- | 2.28 (57.9) 1.87 (47.5) | 2.50 (63.5) | .890 (22.6) |
| 36 | 8-32 | -- | 36 | -- | -- | 2.53 (64.3) 2.22 (56.4) | 2.62 (66.5) | .890 (22.6) |
| 40 | 8-32 | -- | 40 | -- | -- | 2.63 (66.8) 2.41 (61.2) | 2.68 (68.1) | .890 (22.6) |
| 44 | 8-32 | -- | 44 | -- | -- | 3.00 (76.2) 2.80 (71.1) | 3.00 (76.2) | .890 (22.6) |
| 48 | 8-32 | -- | 48 | -- | -- | 3.40 (86.4) 3.20 (81.3) | 3.50 (88.9) | .890 (22.6) |
| 61 | 8-32 | -- | -- | 61 | -- | 1.76 (44.7) 1.51 (38.5) | 1.88 (47.8) | .710 (18.00) |

Dimensions in inches (millimeters) and are subject to change without notice.

CONNECTOR DESIGNATOR:
A

 AS5015 Series AS34001 Crimp,
 MIL-DTL-26482 Series II,
 SAE-AS1703 Crimp Series III,
 MIL-DTL-83723 Series I & III

**Product Series and
Basic Part Number**
M85049/120
Dash No.

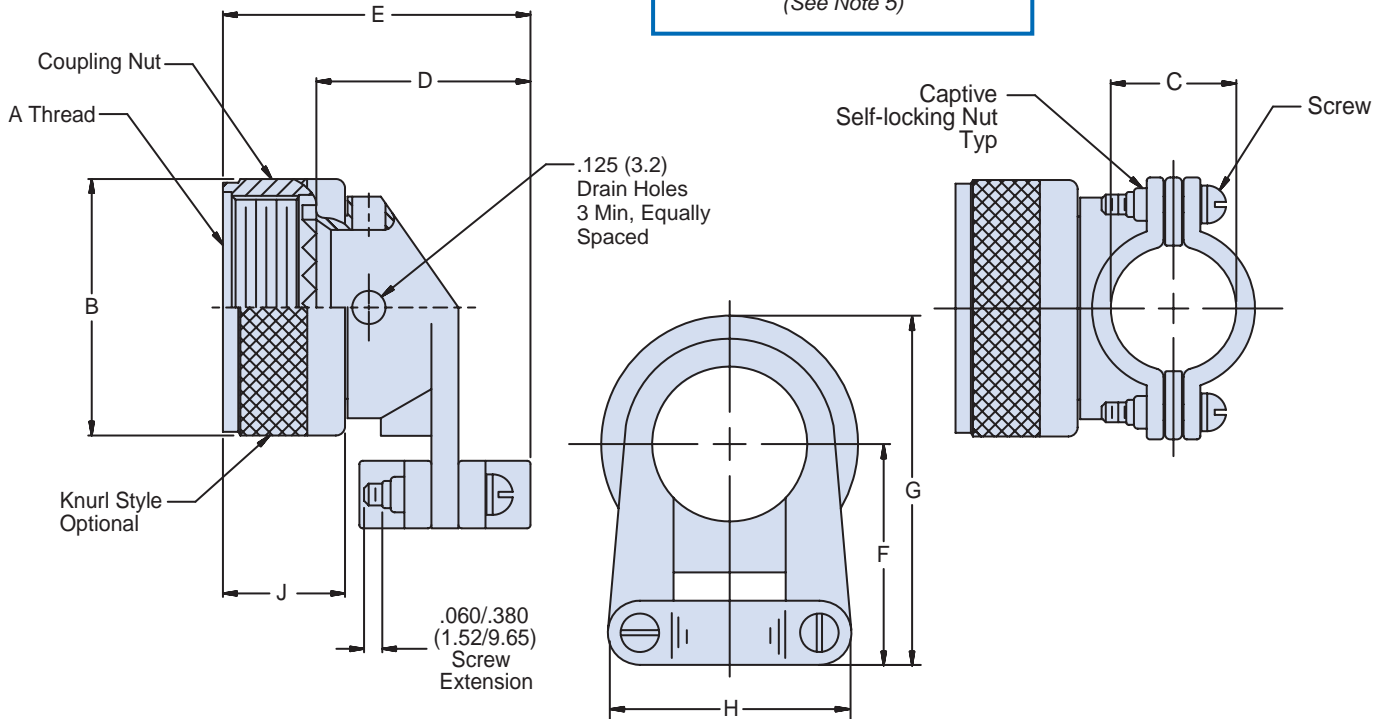
 Table I
 Page 62-26

S
08
Finish

 Table II
 Page 62-26

W

S = Detented Self-Locking
N = Non-Detented Self-Locking
 Use Dash (-) for Non-Self-Locking
 (See Note 5)


APPLICATION NOTES

1. Assembly to be identified with manufacturer's name and part number, space permitting.
2. Glenair Series 600 Backshell Assembly Tools are recommended for assembly and installation.
3. Metric equivalents in parentheses (mm) are given for general information only and are based on 1.000 inch = 25.4 mm.
4. Cable entry is measured with saddle bars closed and bottomed on clamp ears.
5. Detented self-locking has a positive audible detented coupling.
6. Material/Finish:
 Clamp body, coupling nut, saddles - Al alloy or 300 Series SST/See Table II.
 Clamp screws and lock nuts - CRES/Passivated, Silver plate optional.
 Anti-rotation device - Corrosion resistant material

Dimensions in inches (millimeters) and are subject to change without notice.

AS85049/120
90° Strain Relief
Self-Locking or Non-Self-Locking



AS85049

B

TABLE I: Dash Number, Shell Size, Thread and Dimensions (Continued Below)

| Dash No. | Screw Size | MIL-DTL-83723 Series III | MIL-DTL-5015 MS3400 Series | AS81703 Series III | MIL-DTL-26482 Series II | A Thread Class 2B | B Dia Max | C Dim ± .031 (0.8) | D Max | E Max Length |
|----------|------------|--------------------------|----------------------------|--------------------|-------------------------|-------------------|--------------|--------------------|-------------|--------------|
| 03 | 4-40 | -- | -- | 3 | -- | 9/16-24 UNEF | .95 (24.1) | .219 (5.6) | .93 (23.6) | 1.29 (32.8) |
| 08 | 4-40 | 8 | 8S | -- | 8 | 1/2-20 UNF | .89 (22.6) | .219 (5.6) | .93 (23.6) | 1.29 (32.8) |
| 10 | 4-40 | 10 | 10S, 10SL | -- | 10 | 5/8-20 UNEF | 1.01 (25.7) | .264 (6.7) | 1.02 (25.9) | 1.38 (35.1) |
| 12 | 4-40 | 12 | 12, 12S | 7 | 12 | 3/4-20 UNEF | 1.14 (29.0) | .344 (8.7) | 1.21 (30.7) | 1.57 (39.9) |
| 14 | 4-40 | 14 | 14, 14S | 12 | 14 | 7/8-20 UNEF | 1.26 (32.0) | .460 (11.7) | 1.27 (32.3) | 1.63 (41.4) |
| 16 | 4-40 | 16 | 16, 16S | 19 | 16 | 1-20 UNEF | 1.39 (35.3) | .545 (13.8) | 1.42 (36.1) | 1.78 (45.2) |
| 18 | 6-32 | 18 | 18 | 27 | 18 | 1 1/16-18 UNEF | 1.51 (38.4) | .615 (15.6) | 1.53 (38.9) | 1.89 (48.0) |
| 20 | 6-32 | 20 | 20 | 37 | 20 | 1 3/16-18 UNEF | 1.64 (41.7) | .698 (17.7) | 1.65 (41.9) | 2.01 (51.1) |
| 22 | 6-32 | 22 | 22 | -- | 24 | 1 5/16-18 UNEF | 1.176 (44.7) | .780 (19.8) | 1.78 (45.2) | 2.14 (54.4) |
| 24 | 8-32 | 24 | 24 | -- | -- | 1 7/16-18 UNEF | 1.89 (48.0) | .850 (21.6) | 1.90 (48.3) | 2.26 (57.4) |
| 28 | 8-32 | -- | 28 | -- | -- | 1 3/4-18 UNS | 2.14 (54.4) | .950 (24.1) | 2.20 (55.9) | 2.72 (69.1) |
| 32 | 8-32 | -- | 32 | -- | -- | 2-18 UNS | 2.40 (61.0) | 1.015 (25.8) | 2.27 (57.7) | 2.79 (70.9) |
| 36 | 8-32 | -- | 36 | -- | -- | 2 1/4-16 UN | 2.64 (67.1) | 1.187 (30.1) | 2.39 (60.7) | 3.91 (73.9) |
| 40 | 8-32 | -- | 40 | -- | -- | 2 1/2-16 UN | 2.89 (73.4) | 1.220 (31.0) | 2.52 (64.0) | 3.04 (77.2) |
| 44 | 8-32 | -- | 44 | -- | -- | 2 3/4-16 UN | 3.14 (79.8) | 1.500 (38.1) | 2.77 (70.4) | 3.29 (83.6) |
| 48 | 8-32 | -- | 48 | -- | -- | 3-16 UN | 3.39 (86.1) | 1.625 (41.3) | 2.89 (73.4) | 3.41 (86.6) |
| 61 | 8-32 | -- | -- | 61 | -- | 1 1/2-18 UNEF | 1.95 (49.5) | .850 (21.6) | 1.90 (48.3) | 2.26 (57.4) |

TABLE I: (Continued from Above)

| Dash No. | Screw Size | MIL-DTL-83723 Series III | MIL-DTL-5015 MS3400 Series | AS81703 Series III | MIL-DTL-26482 Series II | F Dim Max | G Dim Max | H Dim Max | J Dim Max |
|----------|------------|--------------------------|----------------------------|--------------------|-------------------------|-------------|--------------|-------------|-------------|
| 03 | 4-40 | -- | -- | 3 | -- | .84 (21.3) | 1.32 (33.5) | .88 (22.4) | .710 (18.0) |
| 08 | 4-40 | 8 | 8S | -- | 8 | .81 (20.6) | 1.26 (32.0) | .88 (22.4) | .710 (18.0) |
| 10 | 4-40 | 10 | 10S, 10SL | -- | 10 | .87 (22.1) | 1.38 (35.1) | .94 (23.9) | .710 (18.0) |
| 12 | 4-40 | 12 | 12, 12S | 7 | 12 | .93 (23.6) | 1.50 (38.1) | 1.12 (28.4) | .710 (18.0) |
| 14 | 4-40 | 14 | 14, 14S | 12 | 14 | 1.00 (25.4) | 1.62 (41.4) | 1.19 (30.2) | .710 (18.0) |
| 16 | 4-40 | 16 | 16, 16S | 19 | 16 | 1.06 (26.9) | 1.75 (44.5) | 1.44 (36.6) | .710 (18.0) |
| 18 | 6-32 | 18 | 18 | 27 | 18 | 1.23 (31.2) | 1.99 (50.5) | 1.56 (39.6) | .710 (18.0) |
| 20 | 6-32 | 20 | 20 | 37 | 20 | 1.30 (33.0) | 2.07 (52.6) | 1.69 (42.9) | .710 (18.0) |
| 22 | 6-32 | 22 | 22 | -- | 24 | 1.36 (34.5) | 2.25 (57.2) | 1.75 (44.5) | .710 (18.0) |
| 24 | 8-32 | 24 | 24 | -- | -- | 1.42 (36.1) | 2.37 (60.2) | 1.88 (47.8) | .710 (18.0) |
| 28 | 8-32 | -- | 28 | -- | -- | 1.63 (41.4) | 2.70 (68.6) | 2.12 (53.8) | .890 (22.6) |
| 32 | 8-32 | -- | 32 | -- | -- | 1.86 (47.2) | 3.05 (77.5) | 2.50 (63.5) | .890 (22.6) |
| 36 | 8-32 | -- | 36 | -- | -- | 1.98 (50.3) | 3.30 (83.8) | 2.62 (66.5) | .890 (22.6) |
| 40 | 8-32 | -- | 40 | -- | -- | 2.10 (53.3) | 3.55 (90.2) | 2.68 (68.1) | .890 (22.6) |
| 44 | 8-32 | -- | 44 | -- | -- | 2.36 (59.9) | 3.93 (99.8) | 3.00 (76.2) | .890 (22.6) |
| 48 | 8-32 | -- | 48 | -- | -- | 2.48 (63.0) | 4.18 (106.2) | 3.50 (88.9) | .890 (22.6) |
| 61 | 8-32 | -- | -- | 61 | -- | 1.45 (36.8) | 2.43 (61.7) | 1.88 (47.8) | .710 (18.0) |

TABLE II: Material and Finish

| Symbol | Material | Finish |
|--------|----------------|--------------------------------------|
| A | Aluminum Alloy | Black Anodize |
| N | | Electroless Nickel |
| W | | Cadmium, Olive Drab |
| X | | Nickel Fluorocarbon Polymer |
| Y | | Pure Dense Electrodeposited Aluminum |
| Z | | Zinc Nickel |
| S | 300 Series SST | Passivated |

Dimensions in inches (millimeters) and are subject to change without notice.

AS85049/121

Straight Strain Relief

Self-Locking or Non-Self-Locking

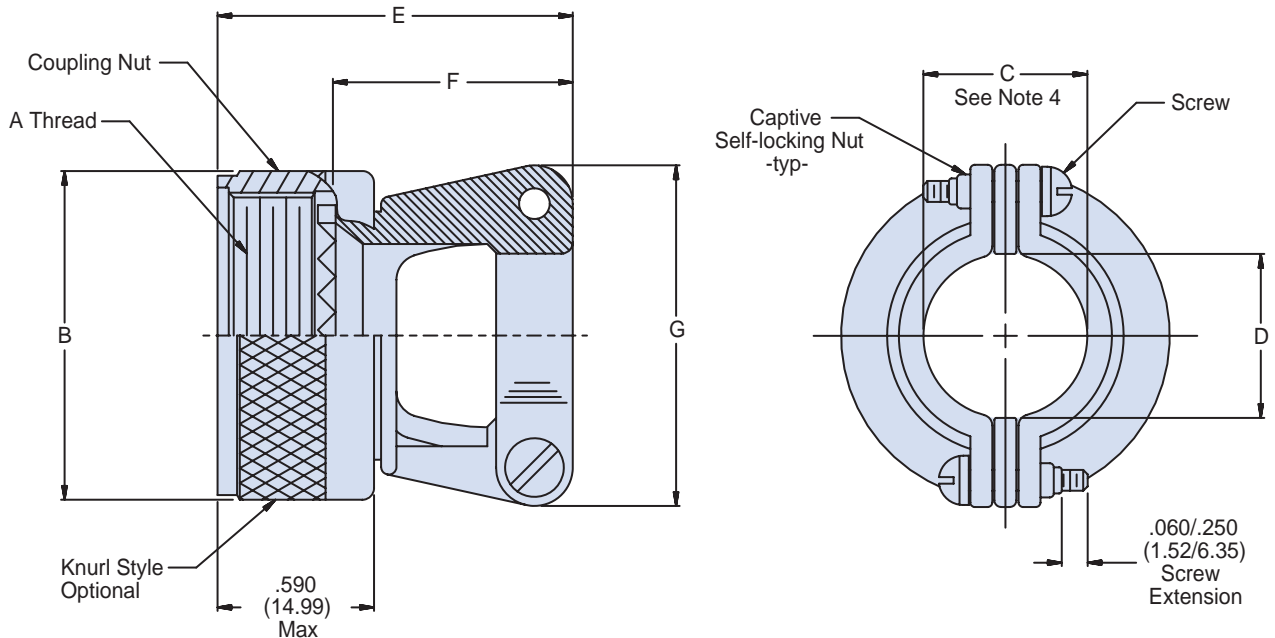
CONNECTOR DESIGNATOR:
F MIL-DTL-38999 Series I and II

**Product Series and
Basic Part Number**
M85049/121
Dash No.
Table I
Page 62-28

S
Finish
Table II
Page 62-28

08
W

S = Detented Self-Locking
N = Non-Detented Self-Locking
 Use Dash (-) for Non-Self-Locking
 (See Note 5)


APPLICATION NOTES

1. Assembly to be identified with manufacturer's name and part number, space permitting.
2. Glenair Series 600 Backshell Assembly Tools are recommended for assembly and installation.
3. Metric equivalents in parentheses (mm) are given for general information only and are based on 1.000 inch = 25.4 mm.
4. Cable entry is measured with saddle bars closed and bottomed on clamp ears.
5. Detented self-locking has a positive audible detented coupling.
6. Material/Finish:
 Clamp body, coupling nut, saddles - Al alloy or 300 Series SST/See Table II.
 Clamp screws and lock nuts - CRES/Passivated, Silver plate optional.
 Anti-rotation device - Corrosion resistant material

Dimensions in inches (millimeters) and are subject to change without notice.

AS85049/121
Straight Strain Relief
Self-Locking or Non-Self-Locking



AS85049

B

TABLE I: Dash Number, Shell Size, Thread and Dimensions (Continued Below)

| Dash No. | Screw Size | Connector Shell Size | | A Thread Class 2B | B Dia Max | C Dim ± .031 (0.79) See Note 4 | D Min | E Max Length | F Dim | G Max |
|----------|------------|----------------------|-----------|-------------------|--------------|--------------------------------|------------|--------------|----------------------------|-------------|
| | | Series I | Series II | | | | | | | |
| 08 | 4-40 | 9 | 8 | 7/16-28 UNEF | .858 (21.8) | .219 (5.6) | .22 (5.6) | 1.01 (25.7) | .77 (19.6) .51 (13.0) | .88 (22.4) |
| 10 | 4-40 | 11 | 10 | 9/16-24 UNEF | .984 (25.0) | .264 (6.7) | .27 (6.9) | 1.13 (28.7) | .89 (22.6) .64 (16.3) | .94 (23.9) |
| 12 | 4-40 | 13 | 12 | 11/16-24 UNEF | 1.157 (29.4) | .344 (8.7) | .35 (8.9) | 1.25 (31.8) | 1.01 (25.7) .76 (19.3) | 1.12 (28.4) |
| 14 | 4-40 | 15 | 14 | 13/16-20 UNEF | 1.297 (32.5) | .460 (11.7) | .47 (11.9) | 1.25 (31.8) | 1.01 (25.7) .76 (19.3) | 1.19 (30.2) |
| 16 | 4-40 | 17 | 16 | 15/16-20 UNEF | 1.406 (35.7) | .545 (13.8) | .55 (14.0) | 1.37 (34.8) | 1.13 (28.7) .88 (22.4) | 1.44 (36.6) |
| 18 | 6-32 | 19 | 18 | 1 1/16-18 UNEF | 1.516 (38.5) | .615 (15.6) | .62 (15.7) | 1.62 (41.1) | 1.38 (35.1) 1.13 (28.7) | 1.56 (39.6) |
| 20 | 6-32 | 21 | 20 | 1 3/16-18 UNEF | 1.642 (41.7) | .698 (17.7) | .70 (17.8) | 1.75 (44.5) | 1.51 (38.4) 1.26 (32.0) | 1.69 (42.9) |
| 22 | 6-32 | 23 | 22 | 1 5/16-18 UNEF | 1.768 (44.9) | .780 (19.8) | .78 (19.8) | 1.87 (47.5) | 1.63 (41.4) 1.38 (35.1) | 1.75 (44.5) |
| 24 | 8-32 | 25 | 24 | 1 7/16-18 UNEF | 1.869 (47.5) | .850 (21.6) | .85 (21.6) | 2.00 (50.8) | 1.76 (44.7) 1.51 (38.4) | 1.88 (47.8) |

TABLE II: Material and Finish

| Symbol | Material | Finish |
|--------|----------------|--------------------------------------|
| A | Aluminum Alloy | Black Anodize |
| N | | Electroless Nickel |
| W | | Cadmium, Olive Drab |
| X | | Nickel Fluorocarbon Polymer |
| Y | | Pure Dense Electrodeposited Aluminum |
| Z | | Zinc Nickel |
| S | 300 Series SST | Passivated |

Dimensions in inches (millimeters) and are subject to change without notice.

AS85049/123

90° Strain Relief

Self-Locking or Non-Self Locking

CONNECTOR DESIGNATOR:

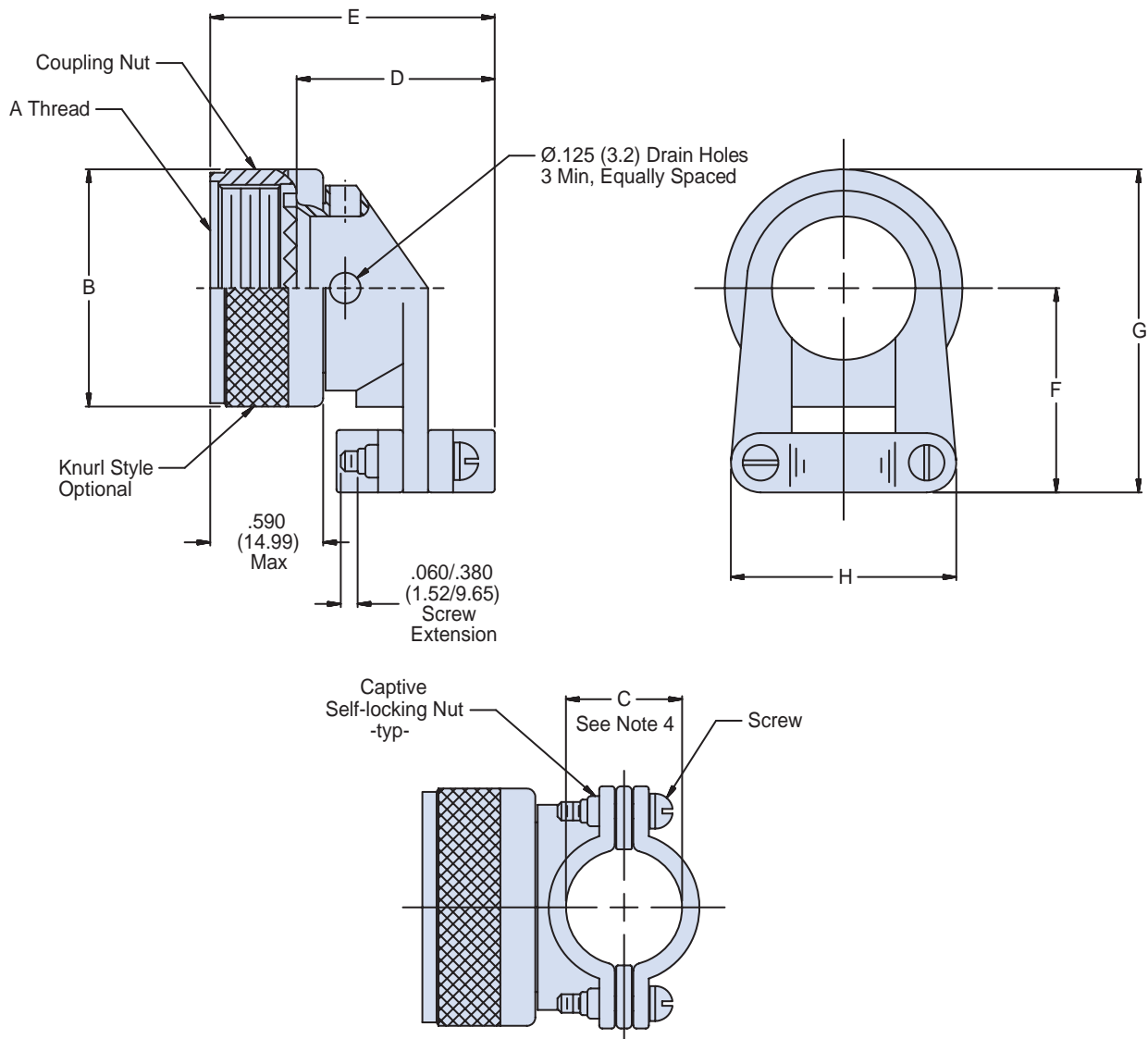
F MIL-DTL-38999 Series I and II

**Product Series and
Basic Part Number**
M85049/123
Dash No.
Table I
Page 62-30

S
Finish
Table II
Page 62-30

08
W

S = Detented Self-Locking
N = Non-Detented Self-Locking
 Use Dash (-) for Non-Self-Locking
 (See Note 5)



Dimensions in inches (millimeters) and are subject to change without notice.

AS85049/123
90° Strain Relief
Self-Locking or Non-Self Locking



AS85049

TABLE I: Dash Number, Shell Size, Thread and Dimensions (Continued Below)

| Dash No. | Screw Size | Connector Shell Size | | A Thread Class 2B | B Dia Max | C Dim ± .031 (0.79) See Note 4 | D Max | E Max Length | F Max | G Max | H Max |
|----------|------------|----------------------|-----------|-------------------|--------------|--------------------------------|-------------|--------------|-------------|-------------|-------------|
| | | Series I | Series II | | | | | | | | |
| 08 | 4-40 | 9 | 8 | 7/16-28 UNEF | .858 (21.8) | .219 (5.6) | .86 (21.8) | 1.10 (27.9) | .81 (20.6) | 1.24 (31.5) | .88 (22.4) |
| 10 | 4-40 | 11 | 10 | 9/16-24 UNEF | .984 (25.0) | .264 (6.7) | .94 (23.9) | 1.18 (30.0) | .87 (22.1) | 1.36 (34.5) | .94 (23.9) |
| 12 | 4-40 | 13 | 12 | 11/16-24 UNEF | 1.157 (29.4) | .344 (8.7) | 1.14 (29.0) | 1.38 (35.1) | .93 (23.6) | 1.51 (38.4) | 1.12 (28.4) |
| 14 | 4-40 | 15 | 14 | 13/16-20 UNEF | 1.297 (32.5) | .460 (11.7) | 1.20 (30.5) | 1.44 (36.6) | .99 (25.1) | 1.63 (41.4) | 1.19 (30.2) |
| 16 | 4-40 | 17 | 16 | 15/16-20 UNEF | 1.406 (35.7) | .545 (13.8) | 1.34 (34.0) | 1.58 (40.1) | 1.09 (27.7) | 1.76 (44.7) | 1.44 (36.6) |
| 18 | 6-32 | 19 | 18 | 1 1/16-18 UNEF | 1.516 (38.5) | .615 (15.6) | 1.46 (37.1) | 1.70 (43.2) | 1.23 (31.2) | 1.99 (50.5) | 1.56 (39.6) |
| 20 | 6-32 | 21 | 20 | 1 3/16-18 UNEF | 1.642 (41.7) | .698 (17.7) | 1.58 (40.1) | 1.82 (46.2) | 1.30 (33.0) | 2.12 (53.8) | 1.69 (42.9) |
| 22 | 6-32 | 23 | 22 | 1 5/16-18 UNEF | 1.768 (44.9) | .780 (19.8) | 1.71 (43.4) | 1.95 (49.5) | 1.36 (34.5) | 2.24 (56.9) | 1.75 (44.5) |
| 24 | 8-32 | 25 | 24 | 1 7/16-18 UNEF | 1.869 (47.5) | .850 (21.6) | 1.83 (46.5) | 2.07 (52.6) | 1.42 (36.1) | 2.35 (59.7) | 1.88 (47.8) |

B

TABLE II: Material and Finish

| Symbol | Material | Finish |
|--------|----------------|--------------------------------------|
| A | Aluminum Alloy | Black Anodize |
| N | | Electroless Nickel |
| W | | Cadmium, Olive Drab |
| X | | Nickel Fluorocarbon Polymer |
| Y | | Pure Dense Electrodeposited Aluminum |
| Z | | Zinc Nickel |
| S | 300 Series SST | Passivated |

APPLICATION NOTES

1. Assembly to be identified with manufacturer's name and part number, space permitting.
2. Glenair Series 600 Backshell Assembly Tools are recommended for assembly and installation.
3. Metric equivalents in parentheses (mm) are given for general information only and are based on 1.000 inch = 25.4 mm.
4. Cable entry is measured with saddle bars closed and bottomed on clamp ears.
5. Detented self-locking has a positive audible detented coupling.
6. Material/Finish:
 Clamp body, coupling nut, saddles - Al alloy or 300 Series SST/See Table II.
 Clamp screws and lock nuts - CRES/Passivated, Silver plate optional.
 Anti-rotation device - Corrosion resistant material

Dimensions in inches (millimeters) and are subject to change without notice.

AS85049/124

Straight Strain Relief

Self-Locking or Non-Self-Locking

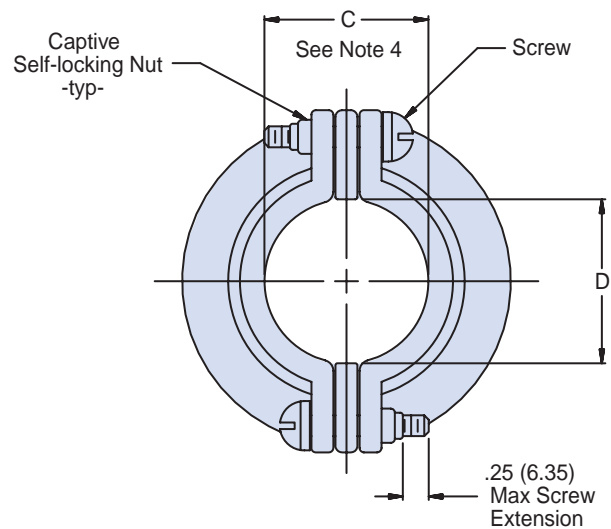
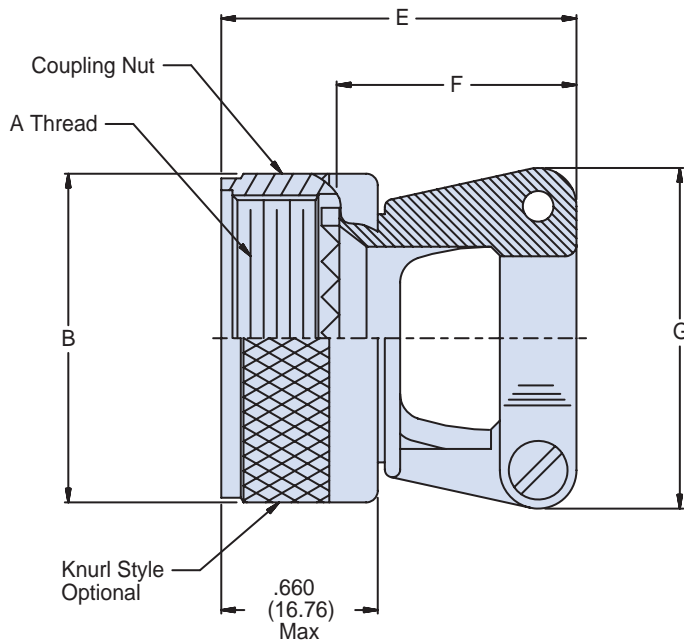
CONNECTOR DESIGNATOR:
H MIL-DTL-38999 Series III & IV
EN3645

**Product Series and
Basic Part Number**
M85049/124
Dash No.
Table I
Page 62-32

S
Finish
Table II
Page 62-32

09
W

S = Detented Self-Locking
N = Non-Detented Self-Locking
Use Dash (-) for Non-Self-Locking
(See Note 5)



Dimensions in inches (millimeters) and are subject to change without notice.

AS85049/124
Straight Strain Relief
Self-Locking or Non-Self-Locking



AS85049

B

TABLE I: Dash Number, Shell Size, Thread and Dimensions (Continued Below)

| Dash No. | Screw Size | Shell Size Code (Ref) | A Thread ISO Metric | B Dia Max | C Dim ± .031 (0.79) See Note 4 | D Min | E Max Length | F Max | G Max |
|----------|------------|-----------------------|---------------------|--------------|--------------------------------|------------|--------------|-------------|-------------|
| 09 | 4-40 | A | M12 x 1 - 6H | .858 (21.8) | .219 (5.6) | .22 (5.6) | 1.05 (26.7) | .77 (19.6) | .88 (22.4) |
| 11 | 4-40 | B | M15 x 1 - 6H | .984 (25.0) | .264 (6.7) | .27 (6.9) | 1.17 (22.6) | .89 (22.6) | .94 (23.9) |
| 13 | 4-40 | C | M18 x 1 - 6H | 1.157 (29.4) | .344 (8.7) | .35 (8.9) | 1.29 (32.8) | 1.01 (25.7) | 1.12 (28.4) |
| 15 | 4-40 | D | M22 x 1 - 6H | 1.297 (32.5) | .460 (11.7) | .47 (11.9) | 1.29 (32.8) | 1.01 (25.7) | 1.19 (30.2) |
| 17 | 4-40 | E | M25 x 1 - 6H | 1.406 (35.7) | .545 (13.8) | .55 (14.0) | 1.41 (35.8) | 1.13 (28.7) | 1.44 (36.6) |
| 19 | 6-32 | F | M28 x 1 - 6H | 1.516 (38.5) | .615 (15.6) | .62 (15.7) | 1.66 (42.2) | 1.38 (35.1) | 1.56 (39.6) |
| 21 | 6-32 | G | M31 x 1 - 6H | 1.642 (41.7) | .698 (17.7) | .70 (17.8) | 1.79 (45.5) | 1.51 (38.4) | 1.69 (42.9) |
| 23 | 6-32 | H | M34 x 1 - 6H | 1.768 (44.9) | .780 (19.8) | .78 (19.8) | 1.91 (48.5) | 1.63 (41.4) | 1.75 (44.5) |
| 25 | 8-32 | J | M37 x 1 - 6H | 1.869 (47.5) | .850 (21.6) | .85 (21.6) | 2.04 (51.8) | 1.76 (44.7) | 1.88 (47.8) |

TABLE II: Material and Finish

| Symbol | Material | Finish |
|--------|----------------|--------------------------------------|
| A | Aluminum Alloy | Black Anodize |
| N | | Electroless Nickel |
| W | | Cadmium, Olive Drab |
| X | | Nickel Fluorocarbon Polymer |
| Y | | Pure Dense Electrodeposited Aluminum |
| Z | | Zinc Nickel |
| S | 300 Series SST | Passivated |

APPLICATION NOTES

1. Assembly to be identified with manufacturer's name and part number, space permitting.
2. Glenair Series 600 Backshell Assembly Tools are recommended for assembly and installation.
3. Metric equivalents in parentheses (mm) are given for general information only and are based on 1.000 inch = 25.4 mm.
4. Cable entry is measured with saddle bars closed and bottomed on clamp ears.
5. Detented self-locking has a positive audible detented coupling.
6. Material/Finish:
 Clamp body, coupling nut, saddles - Al alloy or 300 Series SST/See Table II.
 Clamp screws and lock nuts - CRES/Passivated, Silver plate optional.
 Anti-rotation device - Corrosion resistant material

Dimensions in inches (millimeters) and are subject to change without notice.

CONNECTOR DESIGNATOR:

H MIL-DTL-38999 Series III & IV
EN3645

Product Series and
Basic Part Number

M85049/126

Dash No.
Table I
Page 62-34

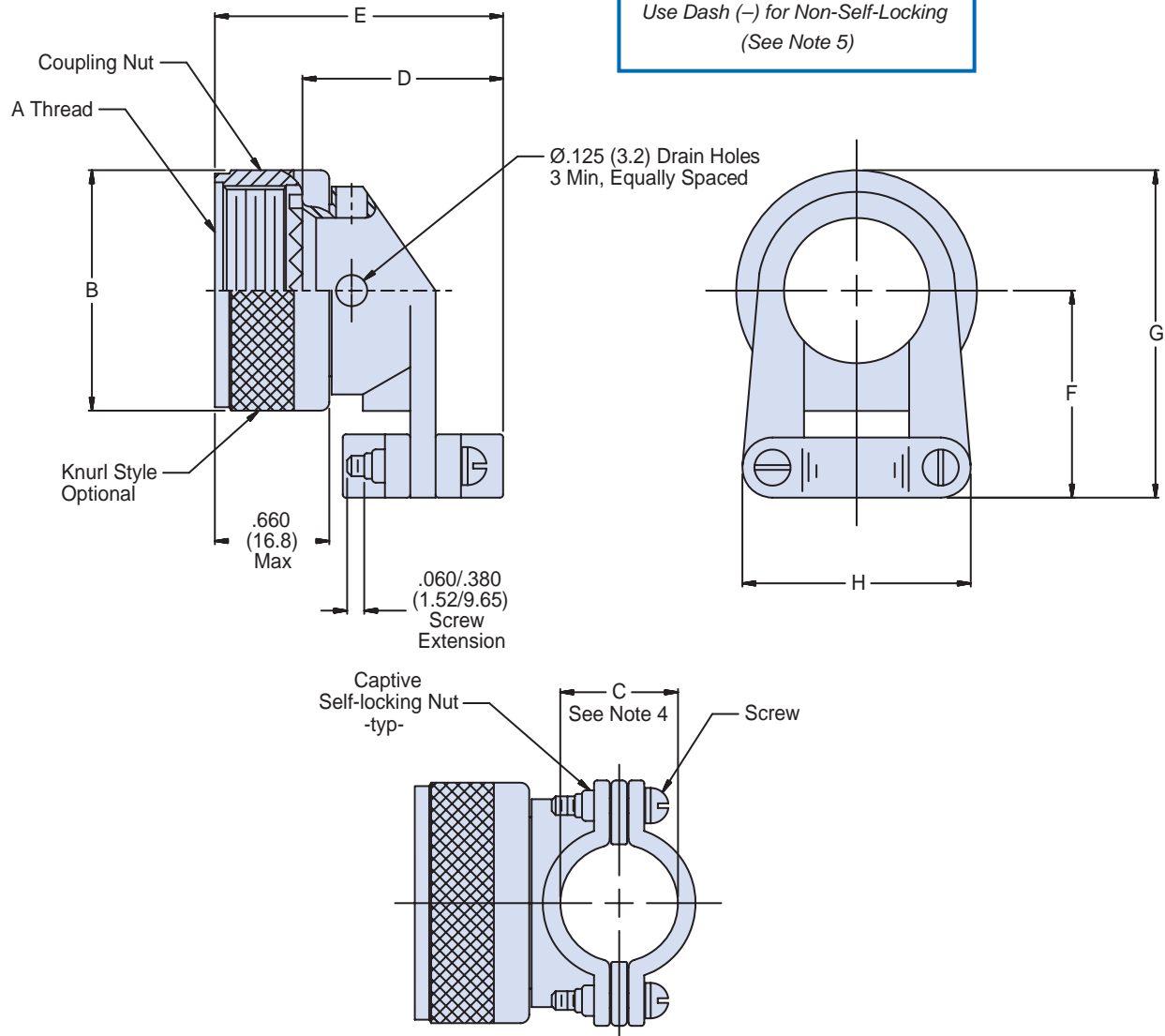
S

Finish
Table II
Page 62-34

09

W

S = Detented Self-Locking
N = Non-Detented Self-Locking
Use Dash (-) for Non-Self-Locking
(See Note 5)



Dimensions in inches (millimeters) and are subject to change without notice.

AS85049/126
90° Strain Relief
Self-Locking or Non-Self-Locking



AS85049

TABLE I: Dash Number, Shell Size, Thread and Dimensions

| Dash No. | Screw Size | Shell Size Code (Ref) | A Thread ISO Metric | B Dia Max | C Dim ± .031 (0.79) See Note 4 | D Max | E Max Length | F Max | G Max | H Max |
|----------|------------|-----------------------|---------------------|--------------|--------------------------------|-------------|--------------|-------------|-------------|-------------|
| 09 | 4-40 | A | M12 x 1 - 6H | .858 (21.8) | .219 (5.6) | .86 (21.8) | 1.14 (29.0) | .81 (20.6) | 1.24 (31.5) | .88 (22.4) |
| 11 | 4-40 | B | M15 x 1 - 6H | .984 (25.0) | .264 (6.7) | .94 (23.9) | 1.22 (31.0) | .87 (22.1) | 1.36 (34.5) | .94 (23.9) |
| 13 | 4-40 | C | M18 x 1 - 6H | 1.157 (29.4) | .344 (8.7) | 1.14 (29.0) | 1.42 (36.1) | .93 (23.6) | 1.51 (38.4) | 1.12 (28.4) |
| 15 | 4-40 | D | M22 x 1 - 6H | 1.297 (32.5) | .460 (11.7) | 1.20 (30.5) | 1.48 (37.6) | .99 (25.1) | 1.63 (41.4) | 1.19 (30.2) |
| 17 | 4-40 | E | M25 x 1 - 6H | 1.406 (35.7) | .545 (13.8) | 1.34 (34.0) | 1.62 (41.1) | 1.09 (27.7) | 1.76 (44.7) | 1.44 (36.6) |
| 19 | 6-32 | F | M28 x 1 - 6H | 1.516 (38.5) | .615 (15.6) | 1.46 (37.1) | 1.74 (44.2) | 1.23 (31.2) | 1.99 (50.5) | 1.56 (39.6) |
| 21 | 6-32 | G | M31 x 1 - 6H | 1.642 (41.7) | .698 (17.7) | 1.58 (40.1) | 1.86 (47.2) | 1.30 (33.0) | 2.12 (53.8) | 1.69 (42.9) |
| 23 | 6-32 | H | M34 x 1 - 6H | 1.768 (44.9) | .780 (19.8) | 1.71 (43.4) | 1.99 (50.5) | 1.36 (34.5) | 2.24 (56.9) | 1.75 (44.5) |
| 25 | 8-32 | J | M37 x 1 - 6H | 1.869 (47.5) | .850 (21.6) | 1.83 (46.5) | 2.11 (53.6) | 1.42 (36.1) | 2.35 (59.7) | 1.88 (47.8) |

B

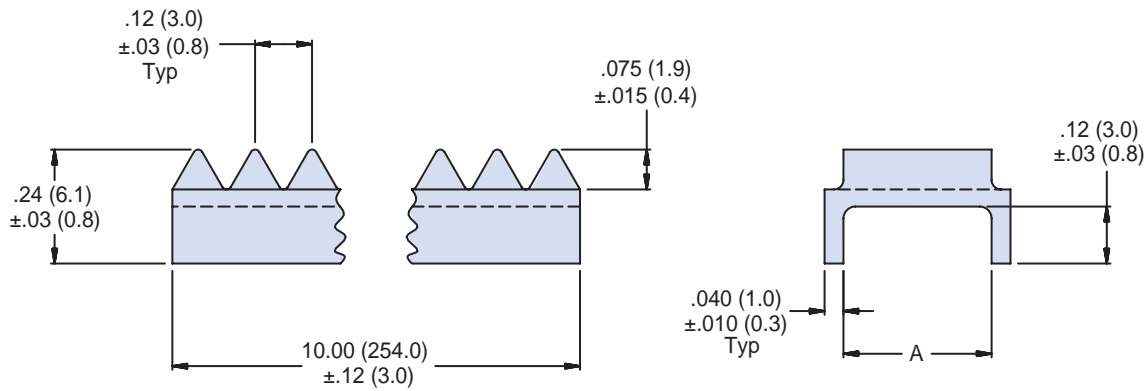
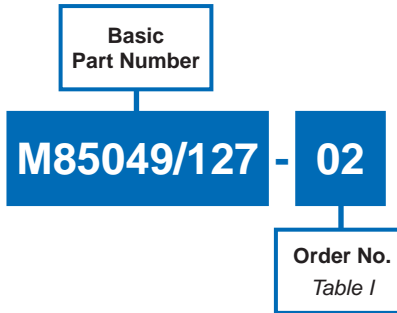
TABLE II: Material and Finish

| Symbol | Material | Finish |
|--------|----------------|--------------------------------------|
| A | Aluminum Alloy | Black Anodize |
| N | | Electroless Nickel |
| W | | Cadmium, Olive Drab |
| X | | Nickel Fluorocarbon Polymer |
| Y | | Pure Dense Electrodeposited Aluminum |
| Z | | Zinc Nickel |
| S | 300 Series SST | Passivated |

APPLICATION NOTES

1. Assembly to be identified with manufacturer's name and part number, space permitting.
2. Glenair Series 600 Backshell Assembly Tools are recommended for assembly and installation.
3. Metric equivalents in parentheses (mm) are given for general information only and are based on 1.000 inch = 25.4 mm.
4. Cable entry is measured with saddle bars closed and bottomed on clamp ears.
5. Detented self-locking has a positive audible detented coupling.
6. Material/Finish:
 Clamp body, coupling nut, saddles - Al alloy or 300 Series SST/See Table II.
 Clamp screws and lock nuts - CRES/Passivated, Silver plate optional.
 Anti-rotation device - Corrosion resistant material

Dimensions in inches (millimeters) and are subject to change without notice.


TABLE I: Order Number, Dimensions, Sizes

| Order No. | A .031 (0.8) Dim | Used on Size /118, /120, /121, /123 | Used on Size /124, /126 |
|-----------|------------------------|---|----------------------------|
| 01 | .312 (7.9) | 03-16 | 09-17 |
| 02 | .440 (11.2) | 18-24 and 61 | 19-25 |
| 03 | .560 (14.2) | 28-40 | — |

APPLICATION NOTES

1. Assembly identified by bag and tag in suitable quantities.
2. Material/finish: Silicone/N.A.
3. Metric dimensions (mm) are in parentheses.

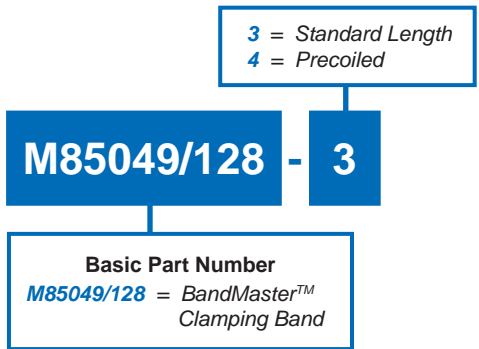
Dimensions in inches (millimeters) and are subject to change without notice.

AS85049/128-3 and AS85049/128-4
BandMaster™ Clamping Band
 Standard Length, Flat or Precoiled

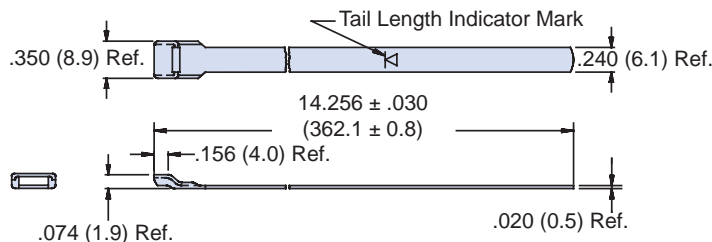


AS85049

B



**Standard Band M85049/128-3 and
 Precoiled Standard Band M85049/128-4**



The M85049/128-3 and -4 Standard Band is precision constructed of 300 Series SST/ Passivate and designed for use with the Glenair 600-058 Hand Banding Tool, the Glenair 601-100 BandMaster Hand Banding Tool with Counter or the Glenair 600-067 Pneumatic Banding Tool. Double-wrapped bands will accommodate diameters up to approximately 1.8 inches (45.7). Bands may be ordered flat (M85049/128-3) or precoiled (M85049/128-4). Bands come bagged and tagged in quantities from 1 to 100.

Metric dimensions (mm) are indicated in parentheses. Consult factory for diameters above 2.5 inches (63.5).

Dimensions in inches (millimeters) and are subject to change without notice.

Basic
Part Number

Dash Number
Table I

M85049/130

- 18

S

Material

C = Conductive Silicone with Aluminum or Monel Mesh, Capable of 80 dB at 100 MHz. Temperature Range -57° to +260° C.

F = Fluorosilicone IAW SAE AMS-R-25988

M = Conductive Silver Filled Silicone IAW MIL-DTL-3528 Type B, Capable of 110 dB at 10GHz. Temperature Range -55° to +260° C.

N = Neoprene IAW AMS 3208.

S = Silicone IAW AA-59588

V = Viton IAW MIL-R-83248

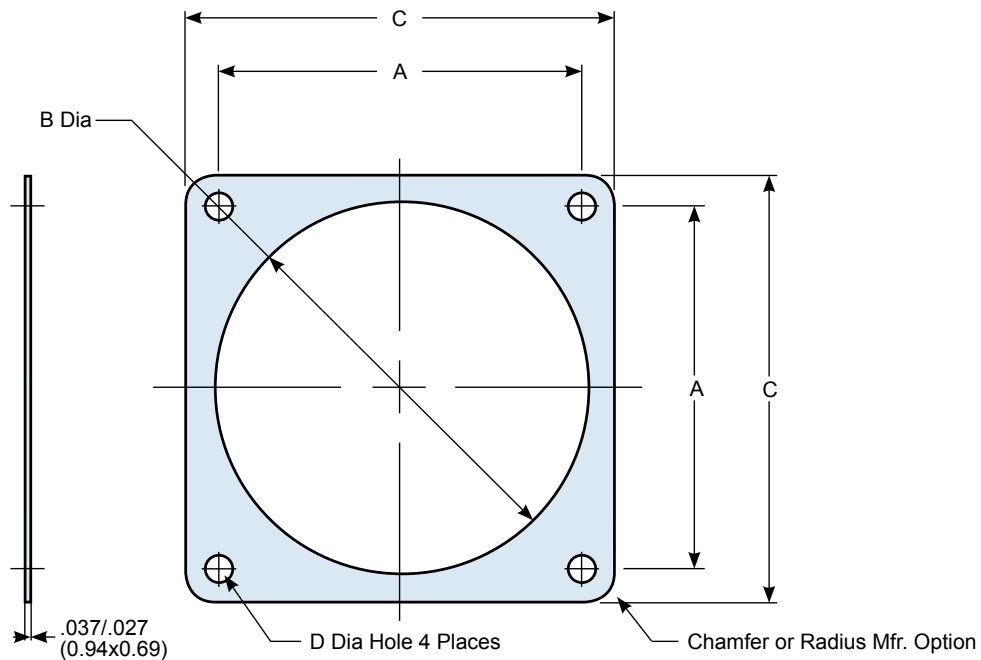


TABLE I: Dimensions

| Dash No. | A ± .015 (0.38) | B +.020 (0.05) -.000 | C ± .015 (0.38) | D ± .010 (0.25) |
|----------|--------------------|----------------------------|--------------------|--------------------|
| 01 | .594 (15.09) | .568 (14.43) | .812 (20.62) | .125 (3.18) |
| 02 | .594 (15.09) | .500 (12.70) | .875 (22.23) | .156 (3.96) |
| 03 | .625 (15.88) | .603 (15.32) | .896 (22.76) | .125 (3.18) |
| 04 | .719 (18.26) | .680 (12.27) | .937 (23.80) | .125 (3.18) |
| 05 | .719 (18.26) | .625 (15.88) | 1.000 (25.40) | .156 (3.96) |
| 06 | .750 (19.05) | .750 (19.05) | 1.023 (25.98) | .125 (3.18) |
| 07 | .812 (20.62) | .875 (22.23) | 1.060 (26.92) | .141 (3.58) |
| 08 | .812 (20.62) | .828 (21.03) | 1.114 (28.30) | .125 (3.18) |
| 09 | .813 (20.65) | .750 (19.05) | 1.094 (27.79) | .141 (3.58) |
| 10 | .843 (21.41) | .875 (22.23) | 1.138 (28.91) | .125 (3.58) |
| 11 | .906 (23.01) | 1.005 (25.53) | 1.153 (29.29) | .125 (3.58) |
| 12 | .906 (23.01) | .938 (23.83) | 1.125 (28.58) | .125 (3.58) |
| 13 | .906 (23.01) | .875 (22.23) | 1.188 (30.18) | .156 (3.96) |
| 14 | .969 (24.61) | 1.135 (28.83) | 1.258 (31.95) | .156 (3.96) |
| 15 | .969 (24.61) | 1.063 (27.00) | 1.250 (31.75) | .125 (3.58) |

Continued on Page B-141

Dimensions in inches (millimeters) and are subject to change without notice.

**TABLE I: Dimensions
(Continued From Page B-140)**

| Dash No. | A ± .015 (0.38) | B +.020 (0.05) -.000 | C ± .015 (0.38) | D ± .010 (0.25) |
|----------|--------------------|----------------------------|--------------------|--------------------|
| 16 | .969 (24.61) | 1.000 (25.4) | 1.281 (32.54) | .156 (3.69) |
| 17 | 1.015 (25.78) | 1.125 (28.58) | 1.383 (35.13) | .125 (3.18) |
| 18 | 1.062 (26.97) | 1.260 (32.00) | 1.351 (34.32) | .156 (3.96) |
| 19 | 1.062 (26.97) | 1.189 (30.20) | 1.343 (34.11) | .125 (3.18) |
| 20 | 1.062 (26.97) | 1.135 (28.83) | 1.375 (34.92) | .156 (3.96) |
| 21 | 1.140 (28.96) | 1.312 (33.32) | 1.508 (38.30) | .125 (3.18) |
| 22 | 1.156 (29.36) | 1.375 (34.92) | 1.500 (38.10) | .141 (3.58) |
| 23 | 1.156 (29.36) | 1.312 (33.32) | 1.467 (37.26) | .125 (3.18) |
| 24 | 1.156 (29.36) | 1.250 (31.75) | 1.500 (38.10) | .177 (4.50) |
| 25 | 1.187 (30.15) | 1.266 (32.16) | 1.458 (37.03) | .125 (3.58) |
| 26 | 1.250 (31.75) | 1.500 (38.10) | 1.625 (41.28) | .141 (3.58) |
| 27 | 1.250 (31.75) | 1.437 (36.50) | 1.562 (39.67) | .125 (3.58) |
| 28 | 1.250 (31.75) | 1.375 (34.92) | 1.625 (41.28) | .177 (4.50) |
| 29 | 1.281 (32.54) | 1.500 (38.10) | 1.718 (43.64) | .125 (3.18) |
| 30 | 1.375 (34.92) | 1.625 (41.28) | 1.750 (44.45) | .177 (3.18) |
| 31 | 1.375 (34.92) | 1.563 (39.70) | 1.703 (43.26) | .156 (3.96) |
| 32 | 1.375 (34.92) | 1.500 (38.10) | 1.750 (44.45) | .203 (5.16) |
| 33 | 1.392 (35.36) | 1.625 (41.28) | 1.818 (46.18) | .141 (3.58) |
| 34 | 1.436 (36.47) | 1.570 (39.88) | 1.799 (45.69) | .125 (3.18) |
| 35 | 1.500 (38.10) | 1.750 (44.45) | 1.875 (47.63) | .177 (3.18) |
| 36 | 1.562 (39.67) | 1.750 (44.45) | 2.000 (50.80) | .203 (5.16) |
| 37 | 1.568 (39.83) | 1.875 (47.63) | 2.138 (54.31) | .141 (3.58) |
| 38 | 1.719 (43.66) | 2.000 (50.80) | 2.375 (60.33) | .177 (3.18) |
| 39 | 1.734 (44.04) | 2.062 (52.37) | 2.328 (59.13) | .177 (3.18) |
| 40 | 1.750 (44.45) | 2.000 (50.80) | 2.250 (57.15) | .219 (5.56) |
| 41 | 1.906 (48.41) | 2.250 (57.15) | 2.625 (66.68) | .219 (5.56) |
| 42 | 1.938 (49.23) | 2.250 (57.15) | 2.500 (63.50) | .219 (5.56) |
| 43 | 2.188 (55.58) | 2.500 (63.50) | 2.750 (69.85) | .219 (5.56) |
| 44 | 2.375 (60.33) | 2.781 (70.64) | 3.000 (76.20) | .219 (5.56) |
| 45 | 2.406 (61.11) | 2.750 (69.85) | 3.125 (79.38) | .281 (7.14) |
| 46 | 2.625 (66.68) | 3.031 (76.99) | 3.250 (82.55) | .219 (5.56) |
| 47 | 2.656 (67.46) | 3.000 (76.20) | 3.375 (85.73) | .281 (7.14) |
| 48 | 2.906 (73.81) | 3.250 (82.55) | 3.625 (92.08) | .281 (7.14) |
| 49 | 3.156 (80.16) | 3.500 (88.90) | 3.875 (98.43) | .281 (7.14) |

APPLICATION NOTES

1. Assembly identified with manufacturer's name and part number, space permitting.
2. For complete dimensions, see the applicable Military Specification.
3. Metric dimensions (mm) are in parentheses.

Dimensions in inches (millimeters) and are subject to change without notice.

Basic
Part Number

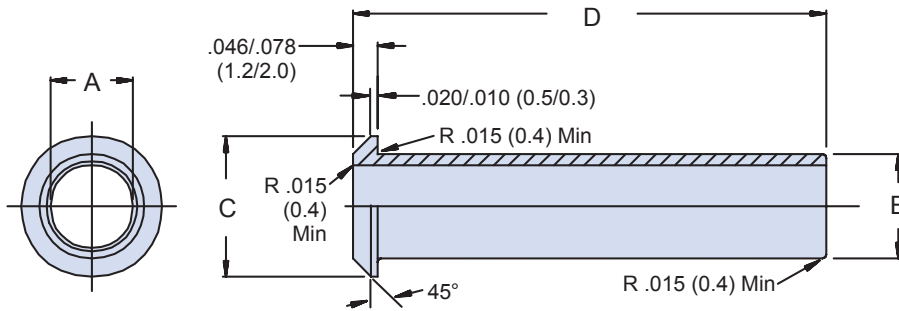
MS3420

Dash
Number

- 3

M85049/139 - 3

Material: Neoprene



Basic
Part Number

MS3420

Dash
Number

- 3

L

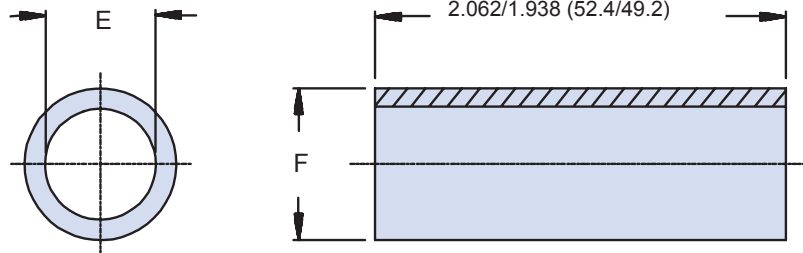
Material

A = Neoprene
D = Silicone
L = Fluorosilicone

M85049/139 - 3 L

Material

A = Neoprene
D = Silicone
L = Fluorosilicone



Dimensions in inches (millimeters) and are subject to change without notice.

MS3420 and AS85049/139 Telescoping Bushing



AS85049

B

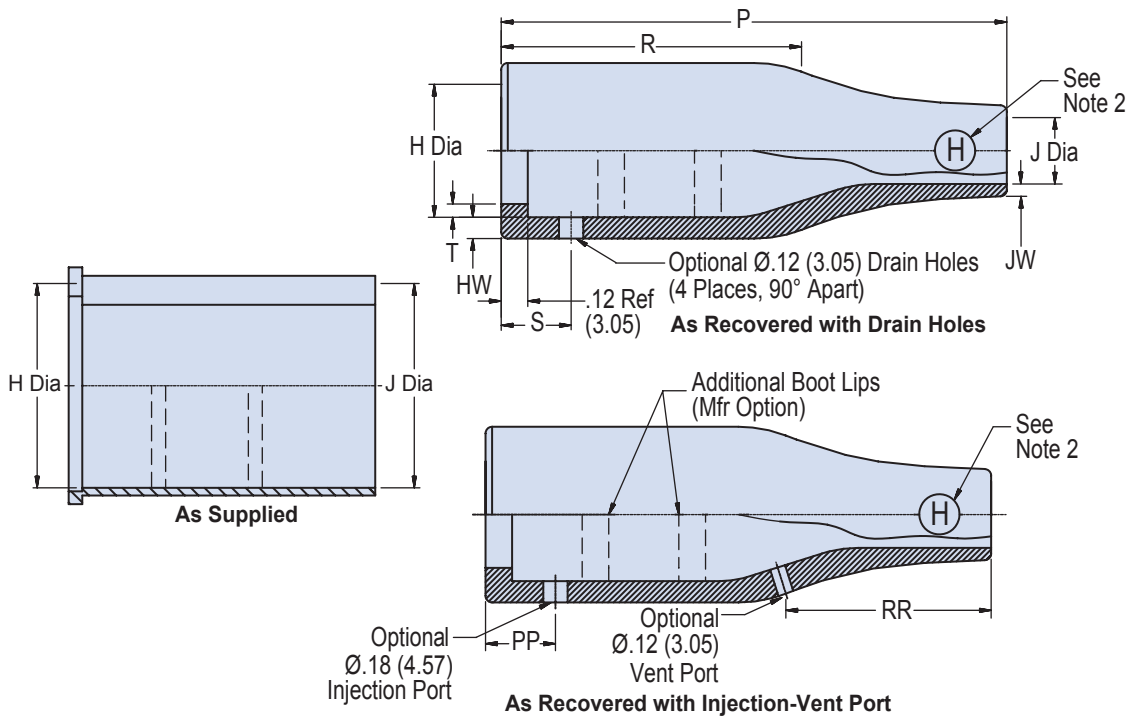
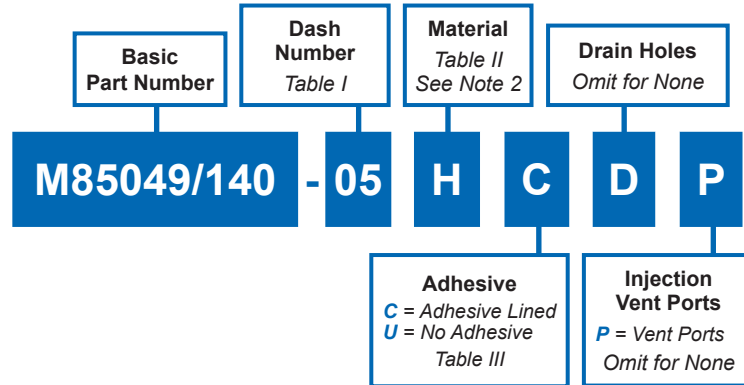
TABLE I: Reference for Connector Shell Size

| Dash No. | Ø A Dia | Ø B Dia | Ø C Dia | D Dim Dia | E Dia | F Dia |
|-----------|-------------------------|-------------------------|-------------------------|-------------------------|-------------------------|-------------------------|
| 3 | .150/.110 (3.8/2.8) | .230/.190 (5.8/4.8) | .395/.363 (10.0/9.2) | 2.906/2.844 (73.8/72.2) | .150/.110 (3.8/2.8) | .230/.190 (5.8/4.8) |
| 4 | .240/.200 (6.1/5.1) | .322/.282 (8.2/7.2) | .521/.489 (13.2/12.4) | 2.781/2.719 (70.6/69.1) | .240/.200 (6.1/5.1) | .322/.282 (8.2/7.2) |
| 6 | .332/.292 (8.4/7.4) | .447/.407 (11.4/10.3) | .635/.603 (16.1/15.3) | 2.656/2.594 (67.5/65.9) | .332/.292 (8.4/7.4) | .447/.407 (11.4/10.3) |
| 8 | .464/.410 (11.8/10.4) | .579/.525 (14.7/13.3) | .760/.728 (19.3/18.5) | 2.531/2.469 (64.3/62.7) | .464/.410 (11.8/10.4) | .579/.525 (14.7/13.3) |
| 10 | .589/.535 (15.0/13.6) | .652/.535 (16.6/13.6) | .905/.873 (23.0/59.5) | 2.406/2.344 (61.1/10.4) | .464/.410 (11.8/10.4) | .642/.588 (16.3/14.9) |
| 12 | .652/.598 (16.6/15.2) | .767/.713 (19.5/18.1) | 1.100/1.068 (27.9/27.1) | 2.281/2.219 (57.9/56.4) | .568/.514 (14.4/13.1) | .767/.713 (19.5/18.1) |
| 16 | .777/.723 (19.7/18.4) | .954/.900 (24.2/22.9) | 1.330/1.298 (33.8/33.0) | 2.156/2.094 (54.8/53.2) | .777/.723 (19.7/18.4) | .954/.900 (24.2/22.9) |
| 18 | -- | -- | -- | -- | .976/.898 (24.8/22.8) | 1.142/1.088 (29.0/27.6) |
| 20 | .976/.898 (24.8/22.8) | 1.279/1.201 (32.5/30.5) | 1.614/1.582 (41.0/40.2) | 2.031/1.969 (51.6/50.0) | .976/.898 (24.8/22.8) | 1.279/1.201 (32.5/30.5) |
| 24 | 1.289/1.211 (32.7/30.8) | 1.404/1.326 (35.7/33.7) | 1.863/1.831 (47.3/46.5) | 1.906/1.844 (48.4/46.8) | 1.164/1.086 (29.6/27.6) | 1.404/1.326 (35.7/33.7) |
| 28 | 1.414/1.336 (35.9/33.9) | 1.653/1.575 (42.0/40.0) | 2.101/2.069 (53.4/52.6) | 1.781/1.719 (45.2/43.7) | 1.289/1.719 (45.2/43.7) | 1.653/1.575 (42.0/40.0) |
| 32 | 1.675/1.573 (42.5/40.0) | 1.915/1.813 (48.6/46.1) | 2.351/2.319 (59.7/58.9) | 1.656/1.594 (42.1/40.0) | 1.676/1.574 (42.6/40.0) | 1.916/1.814 (48.7/46.1) |
| 40 | 1.925/1.823 (48.9/46.3) | 2.415/2.313 (61.3/58.8) | 2.851/2.819 (72.4/71.6) | 1.531/1.469 (38.9/37.3) | 1.926/1.824 (48.9/46.3) | 2.416/2.314 (61.4/58.8) |

APPLICATION NOTES

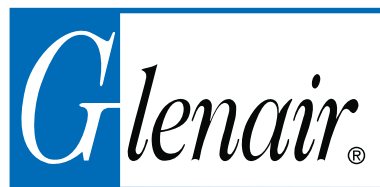
1. Assembly identified with manufacturer's name and part number, space permitting.
2. For complete dimensions, see the applicable Military Specification.
3. Metric dimensions (mm) are in parentheses.

Dimensions in inches (millimeters) and are subject to change without notice.



Dimensions in inches (millimeters) and are subject to change without notice.

AS85049/140 Straight Lipped Heat Shrink Boot



AS85049

B

TABLE I: Dash Number and Dimensions (Continued Below)

| Dash No. | H Dia Min (As Supplied) | H Dia Max (As Recovered) | J Dia Min (As Supplied) Material A, B, H | J Dia Min (As Supplied) Material G | J Dia Max (As Recovered) | P (As Recovered) ±10% | R (As Recovered) Ref |
|----------|-------------------------|--------------------------|--|------------------------------------|--------------------------|-----------------------|----------------------|
| 01 | 0.92 (23.4) | 0.41 (10.4) | 0.92 (23.4) | 0.47 (11.9) | 0.24 (6.1) | 1.50 (38.1) | 0.83 (21.1) |
| 02 | 1.12 (28.4) | 0.56 (14.2) | 1.12 (28.4) | 0.58 (14.7) | 0.26 (6.6) | 2.16 (54.9) | 1.09 (27.7) |
| 03 | 1.22 (31.0) | 0.70 (17.6) | 1.22 (31.0) | 0.63 (16.0) | 0.28 (7.1) | 2.63 (66.8) | 1.39 (35.3) |
| 04 | 1.42 (36.1) | 0.88 (22.4) | 1.42 (36.1) | 0.73 (18.5) | 0.38 (9.7) | 3.15 (80.0) | 1.63 (41.4) |
| 05 | 1.68 (42.7) | 1.11 (28.2) | 1.68 (42.7) | 0.87 (22.1) | 0.39 (9.9) | 4.08 (103.6) | 2.22 (56.4) |
| 06 | 2.04 (51.8) | 1.38 (35.1) | 2.04 (51.8) | 1.39 (35.3) | 0.63 (16.0) | 5.13 (130.3) | 2.54 (64.5) |
| 07 | 2.60 (66.0) | 1.75 (44.5) | 2.60 (66.0) | 1.80 (45.7) | 0.80 (20.3) | 6.50 (165.1) | 3.31 (84.1) |
| 08 | 3.22 (81.8) | 2.27 (57.7) | 3.22 (81.8) | 2.25 (57.2) | 1.00 (25.4) | 7.00 (177.8) | 3.75 (95.3) |

TABLE I: Dash Number and Dimensions (Continued from Above)

| Dash No. | T (As Recovered) Ref | HW (As Recovered) ±20% | JW Max (As Recovered) | PP (As Recovered) ±10% | S (As Recovered) ±10% | RR (As Recovered) ±10% |
|----------|----------------------|------------------------|-----------------------|------------------------|-----------------------|------------------------|
| 01 | 0.04 (1.0) | 0.07 (1.8) | 0.09 (2.2) | 0.60 (15.2) | 0.48 (12.2) | N/A |
| 02 | 0.04 (1.0) | 0.07 (1.8) | 0.09 (2.2) | 0.60 (15.2) | 0.49 (12.4) | .85 (21.6) |
| 03 | 0.04 (1.0) | 0.08 (2.0) | 0.10 (2.5) | 0.60 (15.2) | 0.75 (19.1) | .96 (24.4) |
| 04 | 0.04 (1.0) | 0.08 (2.0) | 0.10 (2.5) | 0.60 (15.2) | 0.75 (19.1) | 1.17 (29.7) |
| 05 | 0.07 (1.8) | 0.09 (2.3) | 0.11 (2.7) | 0.60 (15.2) | 0.75 (19.1) | 1.44 (36.6) |
| 06 | 0.07 (1.8) | 0.13 (3.3) | 0.16 (4.0) | 0.60 (15.2) | 0.57 (14.5) | 2.12 (53.8) |
| 07 | 0.08 (2.0) | 0.16 (4.1) | 0.19 (4.9) | 0.60 (15.2) | 0.68 (17.3) | 2.59 (65.8) |
| 08 | 0.08 (2.0) | 0.16 (4.1) | 0.19 (4.9) | 0.60 (15.2) | 0.68 (17.3) | 2.64 (67.1) |

TABLE II: Shrink Boot Materials

| Material Code | Compound | Material Description | Color Code |
|---------------|----------|----------------------------|------------|
| A | 2071 | Flexible Polyolefin | WHITE |
| B | 2040 | General Purpose Polyolefin | RED |
| G | 2010 | Zero Halogen Polyolefin | GREEN |
| H | 2025 | High Performance Elastomer | BLUE |

TABLE III: Adhesive Description

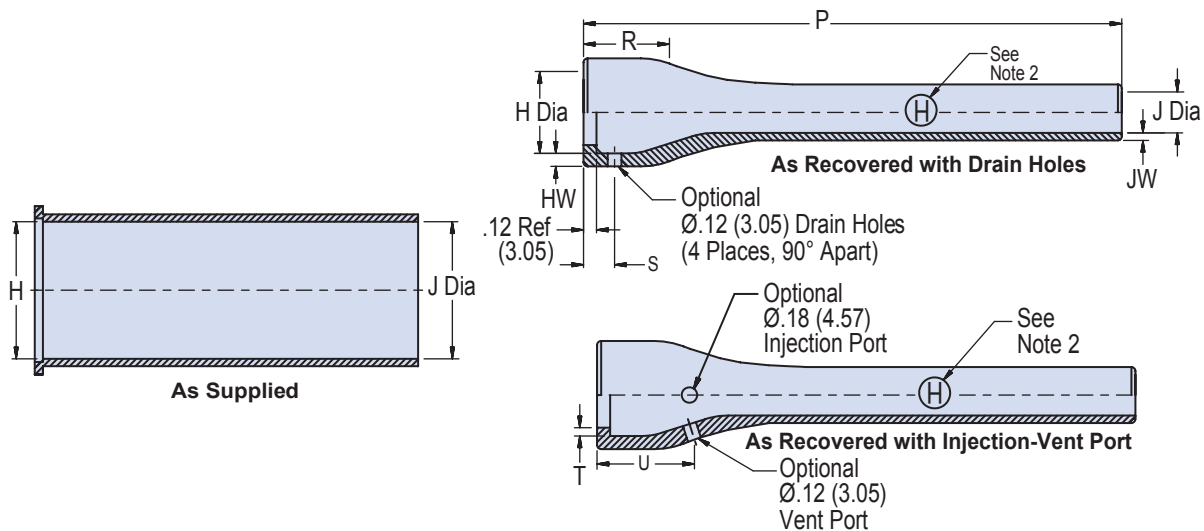
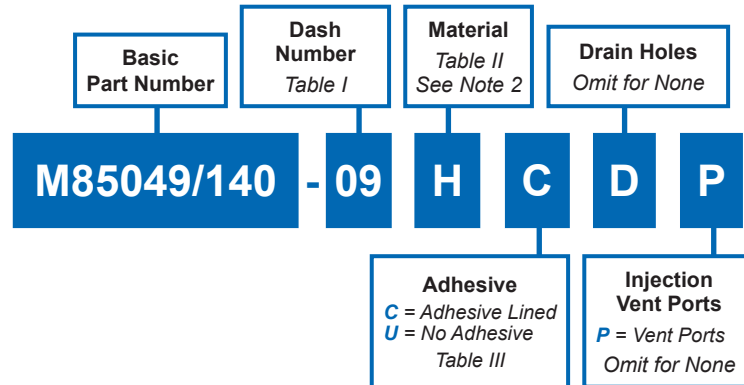
| Symbol | Adhesive Description |
|--------|-------------------------|
| C | Zero Halogen / Hot Melt |

APPLICATION NOTES

1. See bag identification for matching boot number, not number on boot. See part number development for full description.
2. Encircled material letter designator located on O.D. approximately mid length along the "J" end. See part number development for full description.
3. Metric dimensions (mm) are in parentheses.

Dimensions in inches (millimeters) and are subject to change without notice.

AS85049/140 Straight Lipped Long Tail Low Profile Heat Shrink Boot



Dimensions in inches (millimeters) and are subject to change without notice.

AS85049/140

Straight Lipped Long Tail Low Profile Heat Shrink Boot



AS85049

B

TABLE I: Dash Number and Dimensions (Continued Below)

| Dash No. | H Dia Min (As Supplied) | H Dia Max (As Recovered) | J Dia Min (As Supplied) Material A, B, H | J Dia Min (As Recovered) Material G | J Dia Max (As Recovered) | P (As Recovered) ±10% | R (As Recovered) Ref |
|----------|----------------------------|-----------------------------|--|---|-----------------------------|-----------------------------|----------------------------|
| 09 | 0.88 (22.4) | 0.47 (11.9) | 0.88 (22.4) | 0.55 (14.0) | 0.25 (6.4) | 4.17 (105.9) | 0.46 (11.7) |
| 10 | 0.98 (24.9) | 0.59 (15.0) | 0.98 (24.9) | 0.63 (16.0) | 0.30 (7.6) | 4.77 (121.2) | 0.48 (12.2) |
| 11 | 1.16 (29.5) | 0.75 (19.1) | 1.16 (29.5) | 0.72 (18.3) | 0.33 (8.4) | 5.46 (138.7) | 0.48 (12.2) |
| 12 | 1.34 (34.0) | 0.91 (23.1) | 1.34 (34.0) | 0.84 (21.3) | 0.39 (9.9) | 6.28 (159.5) | 0.48 (12.2) |
| 13 | 1.47 (37.3) | 1.18 (30.0) | 1.47 (37.3) | 0.91 (23.1) | 0.43 (10.9) | 7.00 (177.8) | 0.55 (14.0) |
| 14 | 1.72 (43.7) | 1.34 (34.0) | 1.72 (43.7) | 1.07 (27.2) | 0.48 (12.2) | 8.00 (203.2) | 0.60 (15.2) |
| 15 | 1.97 (50.0) | 1.62 (41.1) | 1.97 (50.0) | 1.24 (31.5) | 0.57 (14.5) | 8.00 (203.2) | 0.60 (15.2) |
| 16 | 2.47 (62.7) | 1.85 (47.0) | 2.47 (62.7) | 1.54 (39.1) | 0.71 (18.0) | 8.00 (203.2) | 0.63 (16.0) |
| 17 | 2.73 (69.3) | 2.36 (59.9) | 2.73 (69.3) | 1.70 (43.2) | 0.79 (20.1) | 8.00 (203.2) | 0.63 (16.0) |
| 18 | 3.22 (81.8) | 2.64 (67.1) | 3.22 (81.8) | 2.01 (51.1) | 0.91 (23.1) | 8.00 (203.2) | 0.63 (16.0) |

TABLE I: Dash Number and Dimensions (Continued from Above)

| Dash No. | T (As Recovered) Ref | HW (As Recovered) ±20% | JW Max (As Recovered) | S (As Recovered) ±10% | U (As Recovered) ±10% |
|----------|----------------------------|------------------------------|-----------------------------|-----------------------------|-----------------------------|
| 09 | 0.04 (1.0) | 0.06 (1.5) | 0.05 (1.1) | 0.23 (5.8) | 0.56 (14.2) |
| 10 | 0.04 (1.0) | 0.06 (1.5) | 0.05 (1.1) | 0.24 (6.1) | 0.59 (15.0) |
| 11 | 0.04 (1.0) | 0.07 (1.8) | 0.05 (1.1) | 0.47 (11.9) | 0.61 (15.5) |
| 12 | 0.04 (1.0) | 0.07 (1.8) | 0.05 (1.1) | 0.47 (11.9) | 0.62 (15.7) |
| 13 | 0.07 (1.7) | 0.08 (2.0) | 0.05 (1.1) | 0.47 (11.9) | 0.71 (18.0) |
| 14 | 0.07 (1.7) | 0.08 (2.0) | 0.05 (1.1) | 0.47 (11.9) | 0.78 (19.8) |
| 15 | 0.07 (1.7) | 0.09 (2.3) | 0.06 (1.5) | 0.30 (7.6) | 0.82 (20.8) |
| 16 | 0.08 (2.0) | 0.10 (2.5) | 0.06 (1.5) | 0.63 (16.0) | 0.92 (23.4) |
| 17 | 0.08 (2.0) | 0.10 (2.5) | 0.06 (1.5) | 0.63 (16.0) | 0.93 (23.6) |
| 18 | 0.08 (2.0) | 0.10 (2.5) | 0.06 (1.5) | 0.63 (16.0) | 1.23 (31.2) |

TABLE II: Shrink Boot Materials

| Material Code | Compound | Material Description | Color Code |
|---------------|----------|----------------------------|------------|
| A | 2071 | Flexible Polyolefin | WHITE |
| B | 2040 | General Purpose Polyolefin | RED |
| G | 2010 | Zero Halogen Polyolefin | GREEN |
| H | 2025 | High Performance Elastomer | BLUE |

TABLE III: Adhesive Description

| Symbol | Adhesive Description |
|--------|-------------------------|
| C | Zero Halogen / Hot Melt |

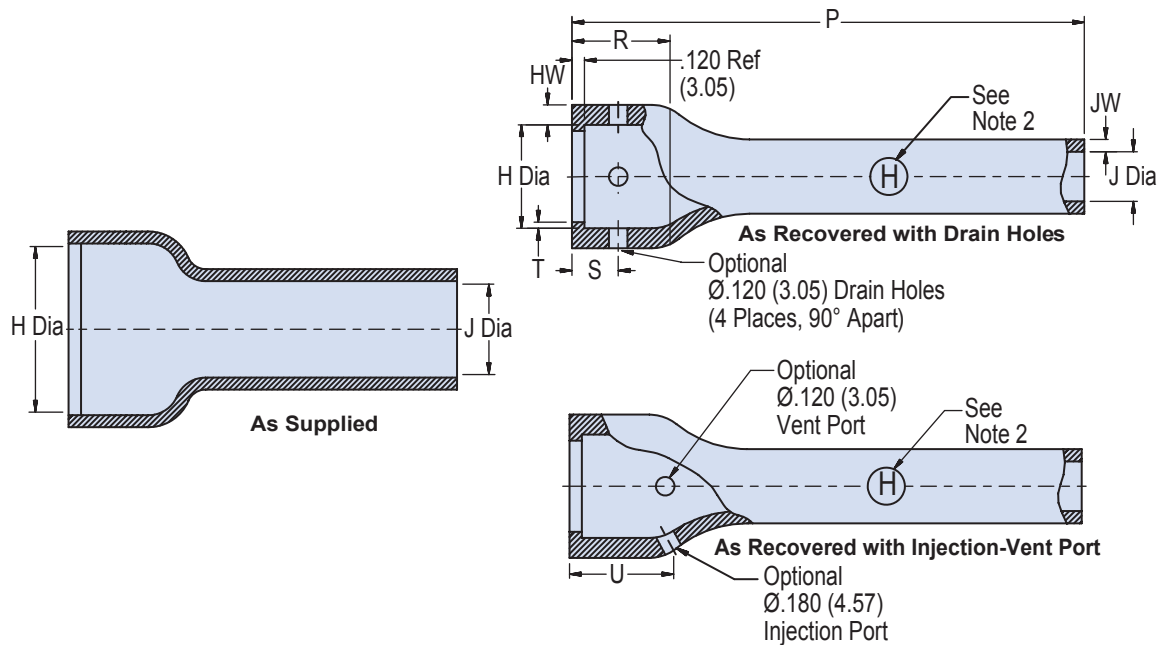
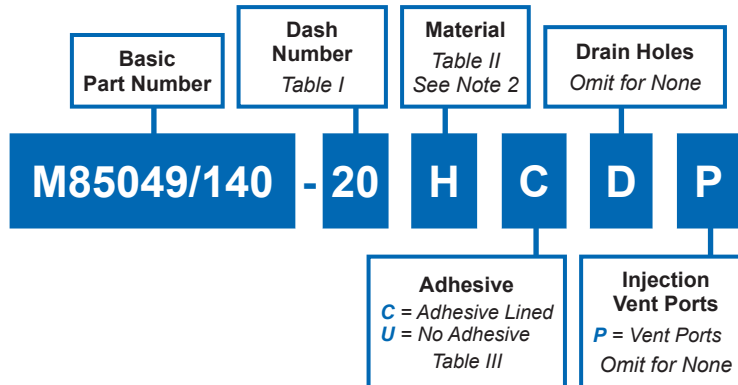
APPLICATION NOTES

1. See bag identification for matching boot number, not number on boot. See part number development for full description.
2. Encircled material letter designator located on O.D. approximately mid length along the "J" end. See part number development for full description.
3. Metric dimensions (mm) are in parentheses.

Dimensions in inches (millimeters) and are subject to change without notice.

AS85049/140

Straight Lipped Miniature Long Tail High Ratio Low Profile Heat Shrink Boot



Dimensions in inches (millimeters) and are subject to change without notice.

AS85049/140

Straight Lipped Miniature Long Tail High Ratio Low Profile Heat Shrink Boot



AS85049

B

TABLE I: Dash Number and Dimensions (Continued Below)

| Dash No. | H Dia Min (As Supplied) | H Dia Max (As Recovered) | J Dia Min (As Supplied) Material A, B, H | J Dia Min (As Supplied) Material G | J Dia Max (As Recovered) | P (As Recovered) ±10% | R (As Recovered) Ref |
|----------|----------------------------|-----------------------------|--|--|-----------------------------|-----------------------------|----------------------------|
| 19 | 0.76 (19.3) | 0.51 (13.0) | 0.25 (6.4) | 0.18 (4.6) | 0.08 (2.0) | 2.37 (60.2) | 0.46 (11.7) |
| 20 | 1.03 (26.2) | 0.75 (19.1) | 0.30 (7.6) | 0.22 (5.6) | 0.10 (2.5) | 2.92 (74.2) | 0.48 (12.2) |
| 21 | 1.35 (34.3) | 1.02 (25.9) | 0.38 (9.7) | 0.26 (6.6) | 0.12 (3.0) | 3.32 (84.3) | 0.48 (12.2) |
| 22 | 1.72 (43.7) | 1.34 (34.0) | 0.45 (11.4) | 0.31 (7.9) | 0.14 (3.6) | 3.92 (99.6) | 0.48 (12.2) |

TABLE I: Dash Number and Dimensions (Continued from Above)

| Dash No. | T (As Recovered) ±10% | HW (As Recovered) ±20% | JW Max (As Recovered) | S (As Recovered) ±10% | U (As Recovered) ±10% |
|----------|-----------------------------|------------------------------|--------------------------|-----------------------------|-----------------------------|
| 19 | 0.04 (1.0) | 0.06 (1.5) | 0.05 (1.14) | 0.47 (11.9) | 0.62 (15.75) |
| 20 | 0.04 (1.0) | 0.07 (1.8) | 0.05 (1.14) | 0.47 (11.9) | 0.80 (20.32) |
| 21 | 0.04 (1.0) | 0.07 (1.8) | 0.05 (1.14) | 0.47 (11.9) | 0.90 (22.86) |
| 22 | 0.07 (1.7) | 0.07 (1.8) | 0.05 (1.14) | 0.47 (11.9) | 1.03 (26.16) |

TABLE II: Shrink Boot Materials

| Material Code | Compound | Material Description | Color Code |
|---------------|----------|----------------------------|------------|
| A | 2071 | Flexible Polyolefin | WHITE |
| B | 2040 | General Purpose Polyolefin | RED |
| G | 2010 | Zero Halogen Polyolefin | GREEN |
| H | 2025 | High Performance Elastomer | BLUE |

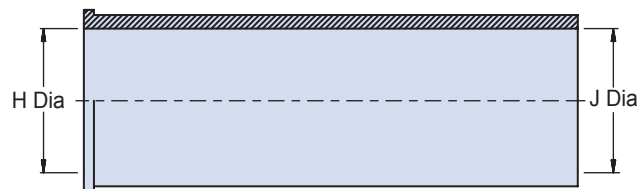
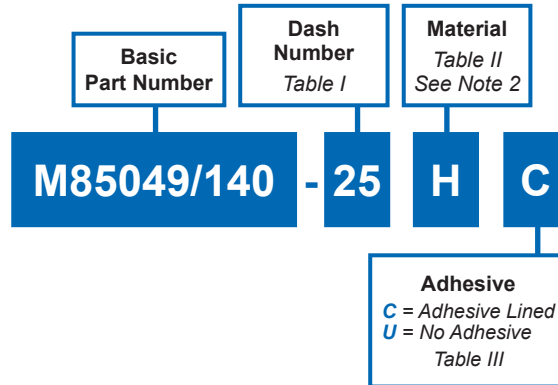
TABLE III: Adhesive Description

| Symbol | Adhesive Description |
|--------|-------------------------|
| C | Zero Halogen / Hot Melt |

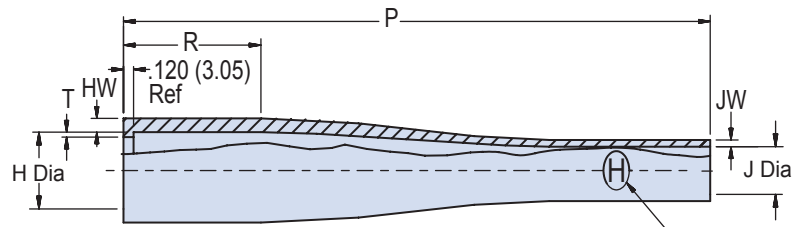
APPLICATION NOTES

1. See bag identification for matching boot number, not number on boot. See part number development for full description.
2. Encircled material letter designator located on O.D. approximately mid length along the "J" end. See part number development for full description.
3. Metric dimensions (mm) are in parentheses.

Dimensions in inches (millimeters) and are subject to change without notice.



As Supplied



As Recovered

See Note 2

Dimensions in inches (millimeters) and are subject to change without notice.

AS85049/140 Straight Lipped Sealing Heat Shrink Boot



AS85049

B

TABLE I: Dash Number and Dimensions

| Dash No. | H Dia Min (As Supplied) | H Dia Max (As Recovered) | J Dia Min (As Supplied) | J Dia Max (As Recovered) | P (As Recovered) ±10% | R (As Recovered) Ref | T (As Recovered) ±10% | HW (As Recovered) ±20% | JW Max (As Recovered) |
|----------|----------------------------|-----------------------------|----------------------------|-----------------------------|-----------------------------|----------------------------|-----------------------------|------------------------------|--------------------------|
| 23 | 0.84 (21.3) | 0.55 (14.0) | 0.66 (16.8) | 0.21 (5.3) | 5.30 (134.6) | 1.10 (27.9) | 0.06 (1.5) | 0.16 (4.1) | 0.04 (1.0) |
| 24 | 1.00 (25.4) | 0.65 (16.5) | 1.00 (25.4) | 0.33 (8.4) | 6.00 (152.4) | 1.20 (30.5) | 0.06 (1.5) | 0.16 (4.1) | 0.06 (1.5) |
| 25 | 1.30 (33.0) | 0.80 (20.3) | 1.30 (33.0) | 0.43 (10.9) | 6.00 (152.4) | 1.20 (30.5) | 0.06 (1.5) | 0.16 (4.1) | 0.06 (1.5) |
| 26 | 1.70 (43.2) | 0.90 (22.9) | 1.70 (43.2) | 0.56 (14.2) | 6.90 (175.3) | 1.50 (38.1) | 0.06 (1.5) | 0.16 (4.1) | 0.08 (2.0) |
| 27 | 2.10 (53.3) | 1.10 (27.9) | 2.10 (53.3) | 0.70 (17.8) | 6.90 (175.3) | 1.50 (38.1) | 0.06 (1.5) | 0.16 (4.1) | 0.08 (2.0) |
| 28 | 2.85 (72.4) | 1.45 (36.4) | 2.85 (72.4) | 0.95 (24.1) | 7.24 (183.9) | 1.60 (40.6) | 0.06 (1.5) | 0.20 (5.1) | 0.10 (2.54) |

TABLE II: Shrink Boot Materials

| Material Code | Compound | Material Description | Color Code |
|---------------|----------|----------------------------|------------|
| A | 2071 | Flexible Polyolefin | WHITE |
| B | 2040 | General Purpose Polyolefin | RED |
| G | 2010 | Zero Halogen Polyolefin | GREEN |
| H | 2025 | High Performance Elastomer | BLUE |

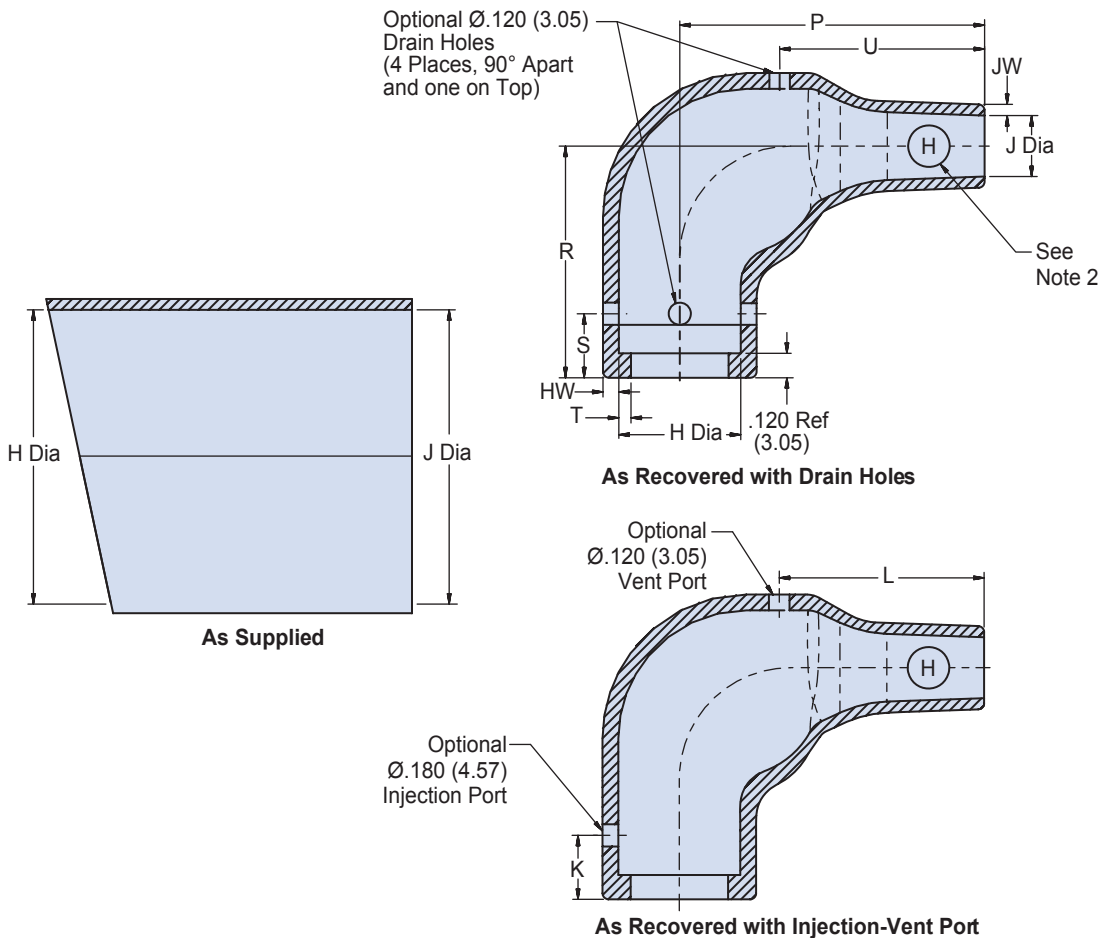
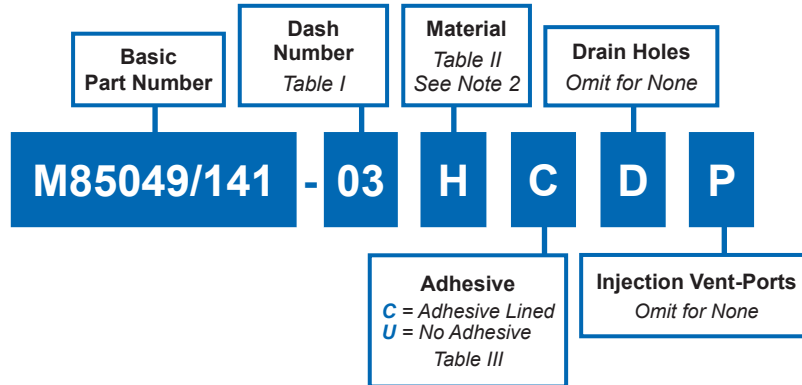
TABLE III: Adhesive Description

| Symbol | Adhesive Description |
|--------|-------------------------|
| C | Zero Halogen / Hot Melt |

APPLICATION NOTES

1. See bag identification for matching boot number, not number on boot. See part number development for full description.
2. Encircled material letter designator located on O.D. approximately mid length along the "J" end. See part number development for full description.
3. Metric dimensions (mm) are in parentheses.

Dimensions in inches (millimeters) and are subject to change without notice.



Dimensions in inches (millimeters) and are subject to change without notice.

AS85049/141 90° Lipped Heat Shrink Boot



AS85049

B

TABLE I: Dash Number and Dimensions (Continued Below)

| Dash No. | H Dia Min (As Supplied) | H Dia Max (As Recovered) | J Dia Min (As Supplied) Material A, B, H | J Dia Min (As Supplied) Material G | J Dia Max (As Recovered) | P (As Recovered) ±10% | R (As Recovered) ±10% |
|----------|----------------------------|-----------------------------|--|--|-----------------------------|-----------------------------|-----------------------------|
| 01 | 0.920 (23.4) | 0.410 (10.4) | 0.920 (23.4) | 0.470 (11.9) | 0.240 (6.1) | 0.840 (21.3) | 0.650 (16.5) |
| 02 | 1.120 (28.4) | 0.610 (15.5) | 1.120 (28.4) | 0.580 (14.7) | 0.260 (6.6) | 1.330 (33.8) | 0.760 (19.3) |
| 03 | 1.220 (31.0) | 0.710 (18.0) | 1.220 (31.0) | 0.630 (16.0) | 0.280 (7.1) | 1.440 (36.6) | 0.830 (21.1) |
| 04 | 1.420 (36.1) | 0.890 (22.6) | 1.420 (36.1) | 0.730 (18.5) | 0.330 (8.4) | 1.720 (43.7) | 0.900 (22.9) |
| 05 | 1.680 (42.7) | 1.120 (28.4) | 1.680 (42.7) | 0.870 (22.1) | 0.390 (9.9) | 2.110 (53.6) | 1.140 (29.0) |
| 06 | 2.040 (51.8) | 1.380 (35.1) | 2.040 (51.8) | 1.390 (35.3) | 0.630 (16.0) | 3.070 (78.0) | 1.320 (33.5) |
| 07 | 2.600 (66.0) | 1.770 (45.0) | 2.600 (66.0) | 1.800 (45.7) | 0.800 (20.3) | 3.840 (97.5) | 1.640 (41.7) |
| 08 | 3.220 (81.8) | 2.400 (61.0) | 3.220 (81.8) | 2.250 (57.2) | 1.000 (25.4) | 4.640 (117.9) | 2.030 (51.6) |

TABLE I: Dash Number and Dimensions (Continued from Above)

| Dash No. | T (As Recovered) Ref | HW (As Recovered) ±20% | JW Max (As Recovered) | S (As Recovered) ±10% | U (As Recovered) ±10% | K (As Recovered) ±10% | L (As Recovered) ±10% |
|----------|----------------------------|------------------------------|-----------------------------|-----------------------------|-----------------------------|-----------------------------|-----------------------------|
| 01 | 0.040 (1.0) | 0.050 (1.3) | 0.050 (1.3) | 0.450 (11.4) | 0.470 (11.9) | 0.600 (15.2) | 0.580 (14.7) |
| 02 | 0.040 (1.0) | 0.060 (1.5) | 0.050 (1.3) | 0.470 (11.9) | 1.020 (25.9) | 0.750 (19.1) | 0.980 (24.9) |
| 03 | 0.040 (1.0) | 0.070 (1.8) | 0.070 (1.8) | 0.470 (11.9) | 1.090 (27.7) | 0.750 (19.1) | 0.980 (24.9) |
| 04 | 0.040 (1.0) | 0.070 (1.8) | 0.070 (1.8) | 0.470 (11.9) | 1.160 (29.5) | 0.750 (19.1) | 1.180 (30.0) |
| 05 | 0.070 (1.8) | 0.080 (2.0) | 0.080 (2.0) | 0.470 (11.9) | 1.470 (37.3) | 0.760 (19.3) | 1.300 (33.0) |
| 06 | 0.070 (1.8) | 0.130 (3.3) | 0.130 (3.3) | 0.530 (13.5) | 2.500 (63.5) | 1.000 (25.4) | 2.120 (53.8) |
| 07 | 0.080 (2.0) | 0.150 (3.8) | 0.150 (3.8) | 0.640 (16.3) | 2.750 (69.9) | 1.000 (25.4) | 2.800 (71.1) |
| 08 | 0.080 (2.0) | 0.160 (4.1) | 0.160 (4.1) | 0.640 (16.3) | 3.120 (79.2) | 1.000 (25.4) | 3.150 (80.0) |

TABLE II: Shrink Boot Materials

| Material Code | Compound | Material Description | Color Code |
|---------------|----------|----------------------------|------------|
| A | 2071 | Flexible Polyolefin | WHITE |
| B | 2040 | General Purpose Polyolefin | RED |
| G | 2010 | Zero Halogen Polyolefin | GREEN |
| H | 2025 | High Performance Elastomer | BLUE |

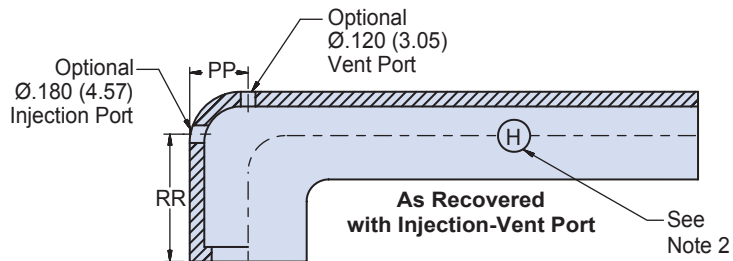
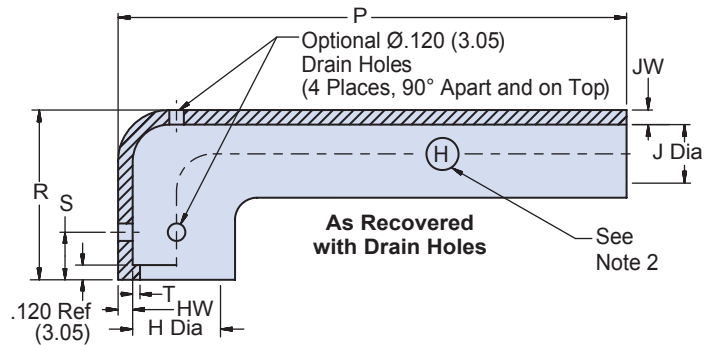
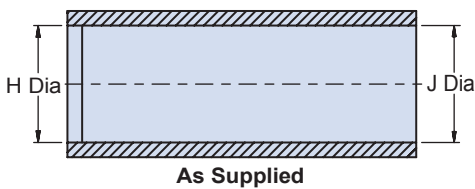
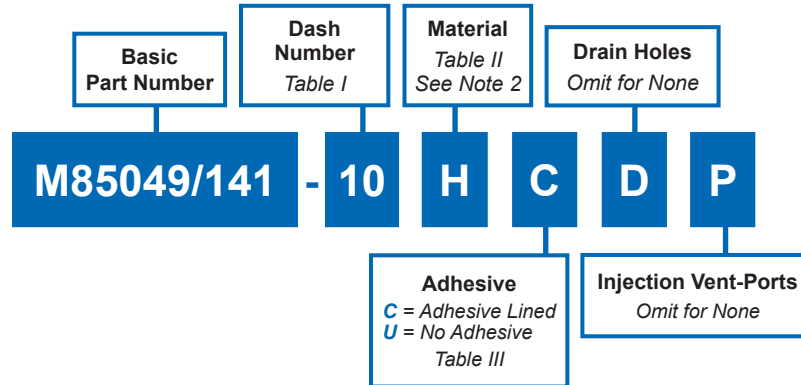
TABLE III: Adhesive Description

| Symbol | Adhesive Description |
|--------|-------------------------|
| C | Zero Halogen / Hot Melt |

APPLICATION NOTES

1. See bag identification for matching boot number, not number on boot. See part number development for full description.
2. Encircled material letter designator located on O.D. approximately mid length along the "J" end. See part number development for full description.
3. Metric dimensions (mm) are in parentheses.

Dimensions in inches (millimeters) and are subject to change without notice.



Dimensions in inches (millimeters) and are subject to change without notice.

AS85049/141 90° Lipped Low Profile Heat Shrink Boot



AS85049

B

TABLE I: Dash Number and Dimensions (Continued Below)

| Dash No. | H Dia Min (As Supplied) | H Dia Max (As Recovered) | J Dia Min (As Supplied) Material A, B, H | J Dia Max (As Supplied) Material G | J Dia Max (As Recovered) | P (As Recovered) ±10% | R (As Recovered) Ref |
|----------|----------------------------|-----------------------------|--|--|-----------------------------|-----------------------------|----------------------------|
| 09 | 0.880 (22.4) | 0.450 (11.4) | 0.880 (22.4) | 0.550 (14.0) | 0.250 (6.4) | 4.140 (105.2) | 0.730 (18.5) |
| 10 | 1.010 (25.7) | 0.590 (15.0) | 1.010 (25.7) | 0.630 (16.0) | 0.300 (7.6) | 4.880 (124.0) | 0.780 (19.8) |
| 11 | 1.160 (29.5) | 0.740 (18.8) | 1.160 (29.5) | 0.720 (18.3) | 0.330 (8.4) | 5.760 (146.3) | 0.820 (20.8) |
| 12 | 1.340 (34.0) | 0.900 (22.9) | 1.340 (34.0) | 0.840 (21.3) | 0.390 (9.9) | 6.780 (172.2) | 0.860 (21.8) |
| 13 | 1.470 (37.3) | 1.160 (29.5) | 1.470 (37.3) | 0.910 (23.1) | 0.430 (10.9) | 7.290 (185.2) | 0.960 (24.4) |
| 14 | 1.720 (43.7) | 1.340 (34.0) | 1.720 (43.7) | 1.070 (27.2) | 0.480 (12.2) | 8.410 (213.6) | 1.080 (27.4) |
| 15 | 1.970 (50.0) | 1.620 (41.1) | 1.970 (50.0) | 1.240 (31.5) | 0.570 (14.5) | 8.840 (224.5) | 1.160 (29.5) |
| 16 | 2.470 (62.7) | 1.850 (47.0) | 2.470 (62.7) | 1.540 (39.1) | 0.710 (18.0) | 8.950 (227.3) | 1.310 (33.3) |
| 17 | 2.730 (69.3) | 2.350 (59.7) | 2.730 (69.3) | 1.700 (43.2) | 0.790 (20.1) | 9.190 (233.4) | 1.380 (35.1) |
| 18 | 3.220 (81.8) | 2.640 (67.1) | 3.220 (81.8) | 2.010 (51.1) | 0.910 (23.1) | 9.330 (237.0) | 1.750 (44.5) |

TABLE I: Dash Number and Dimensions (Continued from Above)

| Dash No. | T (As Recovered) Ref | HW (As Recovered) ±20% | JW Max (As Recovered) | S (As Recovered) ±10% | PP (As Recovered) ±10% | RR (As Recovered) ±10% |
|----------|----------------------------|------------------------------|-----------------------------|-----------------------------|------------------------------|------------------------------|
| 09 | 0.040 (1.0) | 0.060 (1.5) | 0.060 (1.5) | 0.470 (11.9) | 0.270 (6.9) | 0.490 (12.4) |
| 10 | 0.040 (1.0) | 0.060 (1.5) | 0.060 (1.5) | 0.470 (11.9) | 0.330 (8.4) | 0.590 (15.0) |
| 11 | 0.040 (1.0) | 0.070 (1.8) | 0.060 (1.5) | 0.470 (11.9) | 0.410 (10.4) | 0.610 (15.5) |
| 12 | 0.040 (1.0) | 0.070 (1.8) | 0.060 (1.5) | 0.470 (11.9) | 0.480 (12.2) | 0.620 (15.7) |
| 13 | 0.070 (1.8) | 0.080 (2.0) | 0.060 (1.5) | 0.470 (11.9) | 0.610 (15.5) | 0.700 (17.8) |
| 14 | 0.070 (1.8) | 0.080 (2.0) | 0.060 (1.5) | 0.470 (11.9) | 0.720 (18.3) | 0.780 (19.8) |
| 15 | 0.070 (1.8) | 0.090 (2.3) | 0.060 (1.5) | 0.470 (11.9) | 0.830 (21.1) | 0.820 (20.8) |
| 16 | 0.080 (2.0) | 0.100 (2.5) | 0.060 (1.5) | 0.630 (16.0) | 0.950 (24.1) | 0.920 (23.4) |
| 17 | 0.080 (2.0) | 0.100 (2.5) | 0.060 (1.5) | 0.630 (16.0) | 1.180 (30.0) | 0.930 (23.6) |
| 18 | 0.080 (2.0) | 0.100 (2.5) | 0.060 (1.5) | 0.630 (16.0) | 1.310 (33.3) | 1.230 (31.2) |

TABLE II: Shrink Boot Materials

| Material Code | Compound | Material Description | Color Code |
|---------------|----------|----------------------------|------------|
| A | 2071 | Flexible Polyolefin | WHITE |
| B | 2040 | General Purpose Polyolefin | RED |
| G | 2010 | Zero Halogen Polyolefin | GREEN |
| H | 2025 | High Performance Elastomer | BLUE |

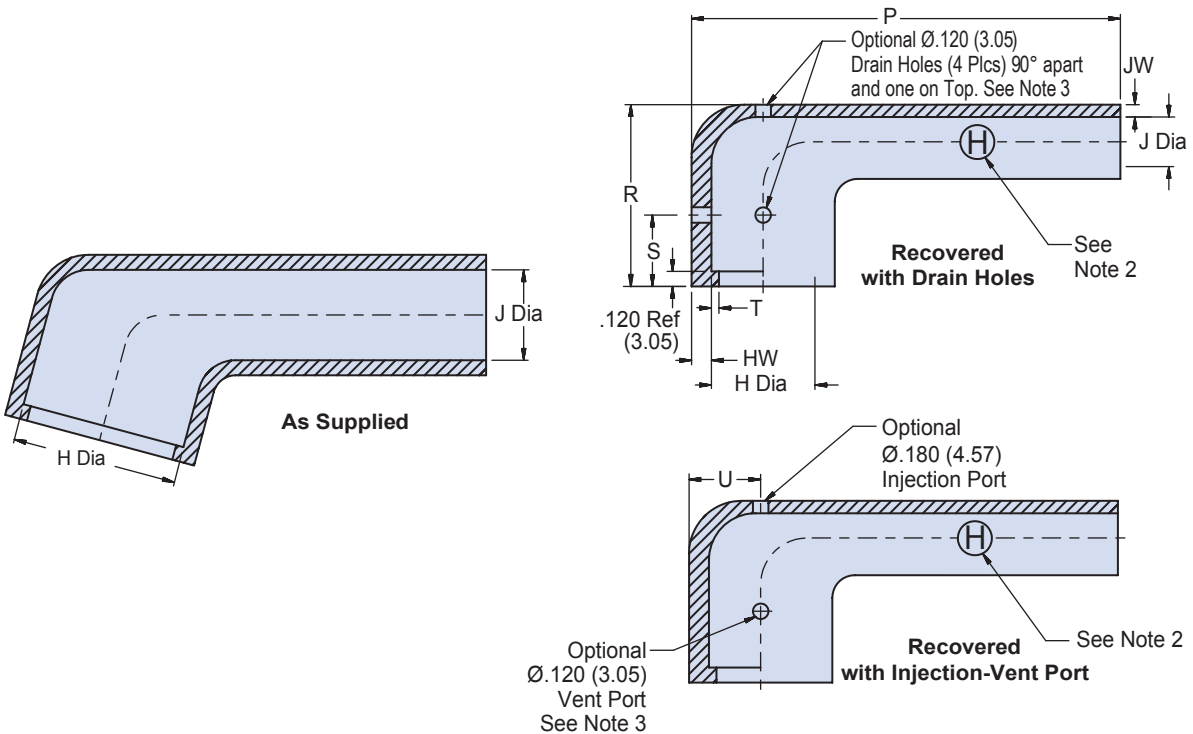
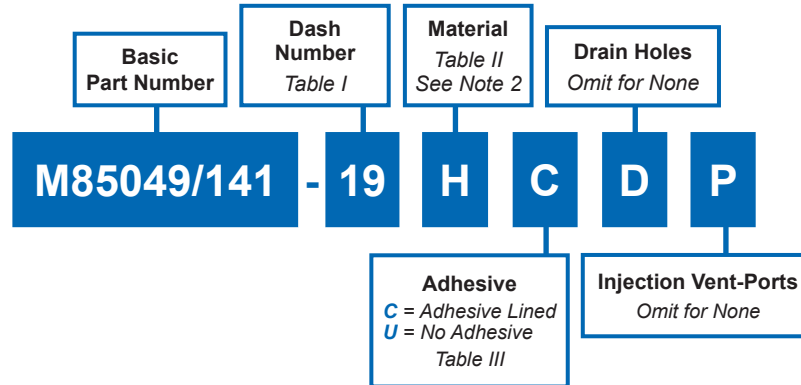
TABLE III: Adhesive Description

| Symbol | Adhesive Description |
|--------|-------------------------|
| C | Zero Halogen / Hot Melt |

APPLICATION NOTES

1. See bag identification for matching boot number, not number on boot. See part number development for full description.
2. Encircled material letter designator located on O.D. approximately mid length along the "J" end. See part number development for full description.
3. Metric dimensions (mm) are in parentheses.

Dimensions in inches (millimeters) and are subject to change without notice.



Dimensions in inches (millimeters) and are subject to change without notice.

AS85049/141

90° Lipped Miniature Low Profile Heat Shrink Boot



AS85049

B

TABLE I: Dash Number and Dimensions (Continued Below)

| Dash No. | H Dia Min (As Supplied) | H Dia Max (As Recovered) | J Dia Min (As Supplied) Material A, B, H | J Dia Max (As Supplied) Material G | J Dia Max (As Recovered) | P (As Recovered) ±10% | R (As Recovered) Ref |
|----------|----------------------------|-----------------------------|--|--|-----------------------------|-----------------------------|----------------------------|
| 19 | 0.760 (19.3) | 0.510 (13.0) | 0.250 (6.4) | 0.180 (4.6) | 0.080 (2.0) | 1.750 (44.5) | 0.640 (16.3) |
| 20 | 1.030 (26.2) | 0.750 (19.1) | 0.300 (7.6) | 0.220 (5.6) | 0.100 (2.5) | 2.650 (67.3) | 0.710 (18.0) |
| 21 | 1.350 (34.3) | 1.020 (25.9) | 0.380 (9.7) | 0.260 (6.6) | 0.120 (3.0) | 3.200 (81.3) | 0.740 (18.8) |
| 22 | 1.720 (43.7) | 1.340 (34.0) | 0.450 (11.4) | 0.310 (7.9) | 0.140 (3.6) | 4.550 (115.6) | 0.840 (21.3) |

TABLE I: Dash Number and Dimensions (Continued from Above)

| Dash No. | T (As Recovered) Ref | HW (As Recovered) ±20% | JW Max (As Recovered) | S (As Recovered) ±10% | U (As Recovered) ±10% |
|----------|----------------------------|------------------------------|-----------------------------|-----------------------------|-----------------------------|
| 19 | 0.040 (1.0) | 0.060 (1.5) | 0.050 (1.1) | 0.470 (11.90) | 0.220 (5.6) |
| 20 | 0.040 (1.0) | 0.070 (1.8) | 0.050 (1.1) | 0.470 (11.90) | 0.330 (8.4) |
| 21 | 0.040 (1.0) | 0.070 (1.8) | 0.050 (1.1) | 0.470 (11.90) | 0.450 (11.4) |
| 22 | 0.070 (1.8) | 0.070 (1.8) | 0.050 (1.1) | 0.470 (11.90) | 0.610 (15.5) |

TABLE II: Shrink Boot Materials

| Material Code | Compound | Material Description | Color Code |
|---------------|----------|----------------------------|------------|
| A | 2071 | Flexible Polyolefin | WHITE |
| B | 2040 | General Purpose Polyolefin | RED |
| G | 2010 | Zero Halogen Polyolefin | GREEN |
| H | 2025 | High Performance Elastomer | BLUE |

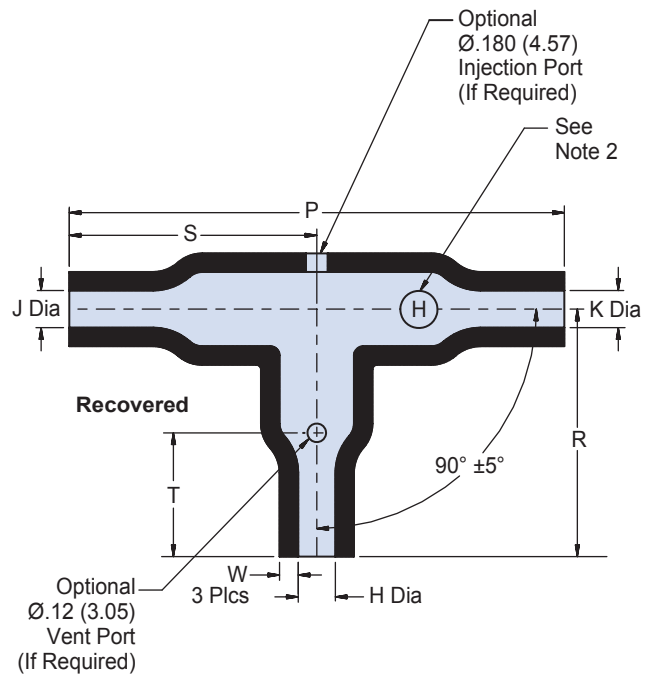
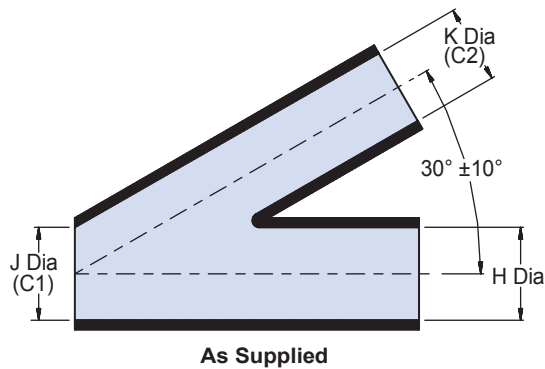
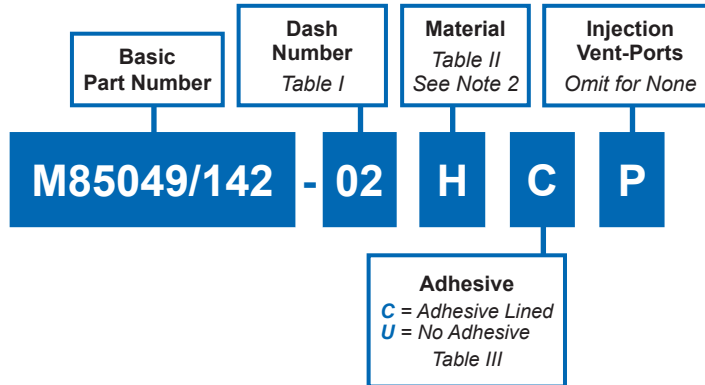
TABLE III: Adhesive Description

| Symbol | Adhesive Description |
|--------|-------------------------|
| C | Zero Halogen / Hot Melt |

APPLICATION NOTES

1. See bag identification for matching boot number, not number on boot. See part number development for full description.
2. Encircled material letter designator located on O.D. approximately mid length along the "J" end. See part number development for full description.
3. Dimensions applicable for both injection and vent ports.
4. Metric dimensions (mm) are in parentheses.

Dimensions in inches (millimeters) and are subject to change without notice.



Dimensions in inches (millimeters) and are subject to change without notice.

AS85049/142 Tee Transition Wide Body Heat Shrink Boot



AS85049

B

TABLE I: Dash Number and Dimension

| Dash No. | H, J, K Dia Min (As Supplied) | H, J, K Dia Max (As Recovered) | P (As Recovered) ±10% | R (As Recovered) ±10% | S (As Recovered) ±10% | T (As Recovered) ±10% | W (As Recovered) ±20% |
|----------|----------------------------------|-----------------------------------|-----------------------------|-----------------------------|-----------------------------|-----------------------------|-----------------------------|
| 01 | 0.260 (6.6) | 0.140 (3.6) | 1.170 (29.7) | 0.580 (14.7) | 0.590 (15.0) | N/A | 0.040 (1.0) |
| 02 | 0.520 (13.2) | 0.270 (6.9) | 2.310 (58.7) | 1.160 (29.5) | 1.160 (29.5) | 0.690 (17.5) | 0.060 (1.5) |
| 03 | 1.060 (26.9) | 0.530 (13.5) | 4.730 (120.1) | 2.360 (59.9) | 2.370 (60.2) | 1.400 (35.6) | 0.090 (2.3) |
| 04 | 2.190 (55.6) | 1.190 (30.2) | 9.700 (246.4) | 4.850 (123.2) | 4.850 (123.2) | 2.790 (70.9) | 0.120 (3.0) |

TABLE II: Shrink Boot Materials

| Material Code | Compound | Material Description | Color Code |
|---------------|----------|----------------------------|------------|
| A | 2071 | Flexible Polyolefin | WHITE |
| B | 2040 | General Purpose Polyolefin | RED |
| G | 2010 | Zero Halogen Polyolefin | GREEN |
| H | 2025 | High Performance Elastomer | BLUE |

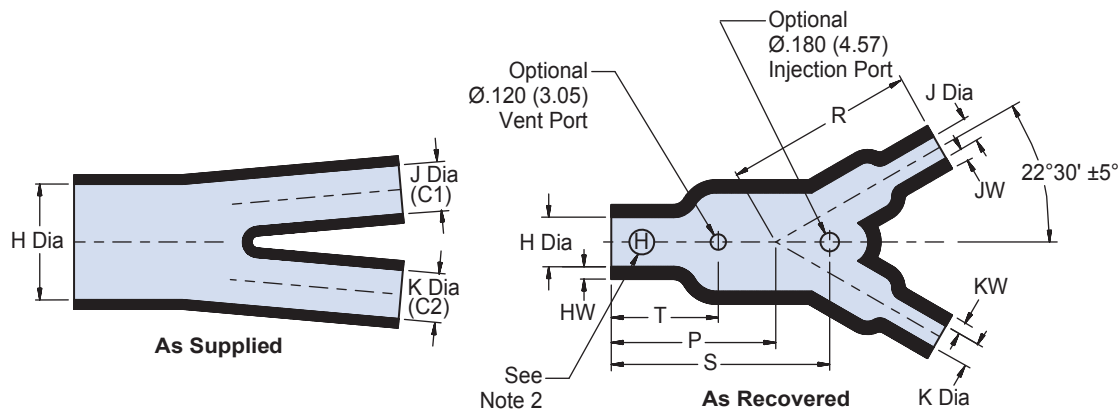
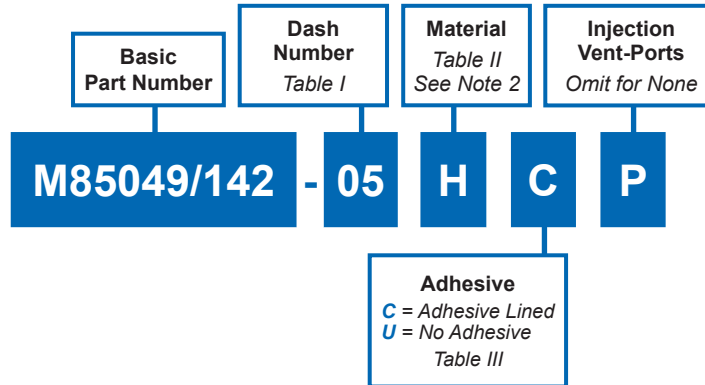
TABLE III: Adhesive Description

| Symbol | Adhesive Description |
|--------|-------------------------|
| C | Zero Halogen / Hot Melt |

APPLICATION NOTES

1. See bag identification for matching boot number, matching dash number on boot. See part number development for full description.
2. Encircled material letter designator located on O.D. approximately mid length along the "K" end. See part number development for full description.
3. Metric dimensions (mm) are in parentheses.

Dimensions in inches (millimeters) and are subject to change without notice.



Dimensions in inches (millimeters) and are subject to change without notice.

AS85049/142 Wye Transition Wide Body Heat Shrink Boot



AS85049

TABLE I: Dash Number and Dimensions

| Dash No. | H Dia Min (As Supplied) | H Dia Max (As Recovered) | J & K Dia Min (As Supplied) | J & K Dia Max (As Recovered) | P (As Recovered) Ref | R (As Recovered) Ref | S (As Recovered) ±10% | T (As Recovered) ±10% | HW (As Recovered) ±20% | JW & KW (As Recovered) ±20% |
|----------|----------------------------|-----------------------------|--------------------------------|---------------------------------|----------------------------|----------------------------|-----------------------------|-----------------------------|------------------------------|-----------------------------------|
| 05 | 0.520 (13.2) | 0.240 (6.1) | 0.260 (6.6) | 0.130 (3.3) | 0.880 (22.4) | 0.760 (19.3) | 0.940 (23.9) | 0.610 (15.5) | 0.060 (1.5) | 0.040 (1.0) |
| 06 | 1.060 (26.9) | 0.490 (12.4) | 0.520 (13.2) | 0.240 (6.1) | 1.500 (38.1) | 1.700 (43.2) | 2.100 (53.3) | 1.300 (33.0) | 0.100 (2.5) | 0.060 (1.5) |
| 07 | 1.520 (38.6) | 0.710 (18.0) | 1.060 (26.9) | 0.490 (12.4) | 2.580 (65.5) | 3.100 (78.7) | 3.100 (78.7) | 2.200 (55.9) | 0.120 (3.0) | 0.100 (2.5) |
| 08 | 2.190 (55.6) | 1.020 (25.9) | 1.060 (26.9) | 0.500 (12.7) | 3.350 (85.1) | 3.700 (94.0) | 4.400 (111.8) | 2.800 (71.1) | 0.180 (4.6) | 0.100 (2.5) |

B

TABLE II: Shrink Boot Materials

| Material Code | Compound | Material Description | Color Code |
|---------------|----------|----------------------------|------------|
| A | 2071 | Flexible Polyolefin | WHITE |
| B | 2040 | General Purpose Polyolefin | RED |
| G | 2010 | Zero Halogen Polyolefin | GREEN |
| H | 2025 | High Performance Elastomer | BLUE |

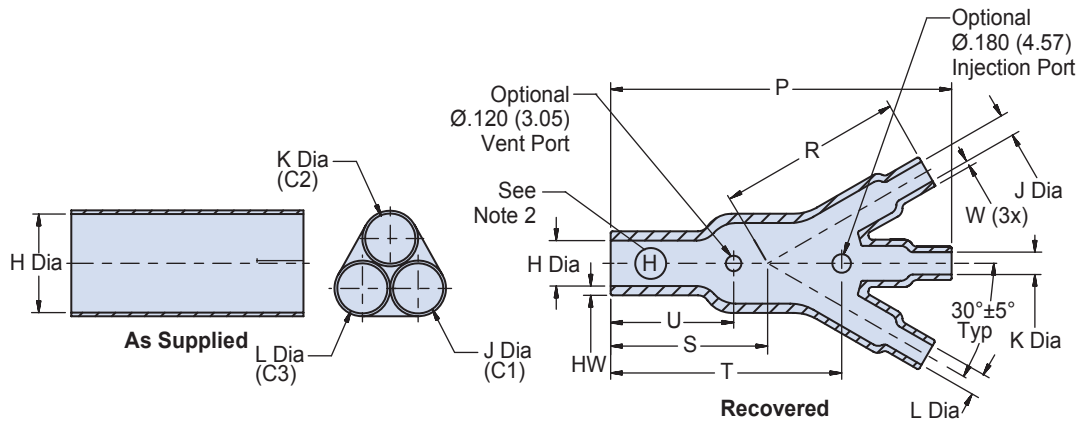
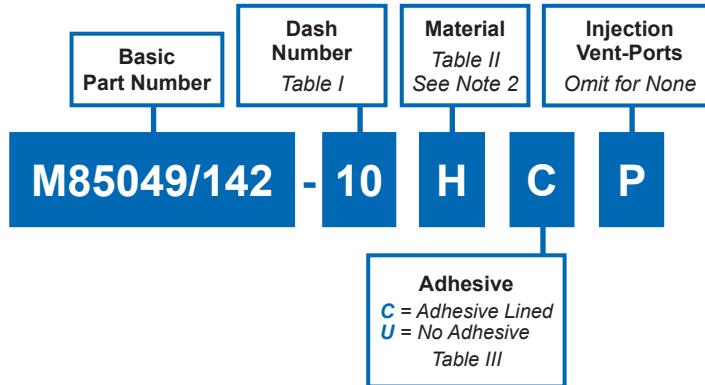
TABLE III: Adhesive Description

| Symbol | Adhesive Description |
|--------|-------------------------|
| C | Zero Halogen / Hot Melt |

APPLICATION NOTES

1. See bag identification for matching boot number, matching dash number on boot. See part number development for full description.
2. Encircled material letter designator located on O.D. approximately mid length along the "K" end. See part number development for full description.
3. Metric dimensions (mm) are in parentheses.

Dimensions in inches (millimeters) and are subject to change without notice.



Dimensions in inches (millimeters) and are subject to change without notice.

AS85049/142 1:3 Transition Wide Body Heat Shrink Boot



AS85049

B

TABLE I: Dash Number and Dimensions (Continued Below)

| Dash No. | H Dia Min (As Supplied) | H Dia Max (As Recovered) | J, K, L Dia Min (As Supplied) | J, K, L Dia Max (As Recovered) | P (As Recovered) ±10% | R (As Recovered) Ref |
|----------|----------------------------|-----------------------------|----------------------------------|-----------------------------------|-----------------------------|----------------------------|
| 09 | 0.520 (13.2) | 0.260 (6.6) | 0.260 (6.6) | 0.140 (3.6) | 1.820 (46.2) | 1.000 (25.4) |
| 10 | 1.060 (26.9) | 0.530 (13.5) | 0.520 (13.2) | 0.270 (6.9) | 3.670 (93.2) | 1.980 (50.3) |
| 11 | 1.520 (38.6) | 0.750 (19.1) | 0.760 (19.3) | 0.380 (9.7) | 5.320 (135.1) | 2.900 (73.7) |
| 12 | 2.190 (55.6) | 1.000 (25.4) | 1.060 (26.9) | 0.490 (12.4) | 7.560 (192.0) | 4.060 (103.1) |
| 13 | 3.600 (91.4) | 2.150 (54.6) | 1.800 (45.7) | 1.080 (27.4) | 15.37 (390.4) | 8.310 (211.1) |

TABLE I: Dash Number and Dimensions (Continued from Above)

| Dash No. | S (As Recovered) Ref | U (As Recovered) ±10% | T (As Recovered) ±10% | HW (As Recovered) ±20% | W (As Recovered) ±20% |
|----------|----------------------------|-----------------------------|-----------------------------|------------------------------|-----------------------------|
| 09 | 0.820 (20.8) | 0.620 (15.7) | 1.200 (30.5) | 0.060 (1.5) | 0.040 (1.0) |
| 10 | 1.690 (42.9) | 1.300 (33.0) | 2.250 (57.2) | 0.100 (2.5) | 0.060 (1.5) |
| 11 | 2.420 (61.5) | 1.800 (45.7) | 3.500 (88.9) | 0.120 (3.0) | 0.070 (1.8) |
| 12 | 3.500 (88.9) | 2.800 (71.1) | 4.800 (121.9) | 0.180 (4.6) | 0.120 (3.0) |
| 13 | 7.060 (179.3) | 5.00 (127.0) | 10.00 (254.0) | 0.280 (7.1) | 0.180 (4.6) |

TABLE II: Shrink Boot Materials

| Material Code | Compound | Material Description | Color Code |
|---------------|----------|----------------------------|------------|
| A | 2071 | Flexible Polyolefin | WHITE |
| B | 2040 | General Purpose Polyolefin | RED |
| G | 2010 | Zero Halogen Polyolefin | GREEN |
| H | 2025 | High Performance Elastomer | BLUE |

TABLE III: Adhesive Description

| Symbol | Adhesive Description |
|--------|-------------------------|
| C | Zero Halogen / Hot Melt |

APPLICATION NOTES

1. See bag identification for matching boot number, matching dash number on boot. See part number development for full description.
2. Encircled material letter designator located on O.D. approximately mid length along the "H" end. See part number development for full description.
3. Metric dimensions (mm) are in parentheses.

Dimensions in inches (millimeters) and are subject to change without notice.

WHY GLENAIR?

ONE GOOD REASON TO SOURCE YOUR BACKSHELLS FROM GLENAIR



*Outstanding
Customer Service!*

OUTSTANDING CUSTOMER SERVICE

**Sales, service, and support professionals standing by...
when and where you need them**



MIL-DTL-38999 Qualified Connector Accessories



MIL-DTL-38999

| Industry Specification Number | Part Identification Number | Military Part Number Superseded | Glenair Commercial Part Number | Description | Glenair Connector Designator/Interface | Page No. |
|--------------------------------------|----------------------------|---------------------------------|--------------------------------|--|--|------------|
| MIL-DTL-38999 MIL-DTL-38999 | MS27501 MS27502 | MS20048 MS20047 | 660-012 660-013 | Protective Plug Cover Protective Receptacle Cover | MIL-DTL-38999 Series I | C-2 |
| MIL-DTL-38999 | MS27510 MS27511 | MS27352 MS27353 | 660-014 660-015 | Protective Plug Cover Protective Receptacle Cover | MIL-DTL-38999 Series II | C-3 |
| MIL-DTL-38999/22 | D38999/22 | --- | 650HS010 | Dummy Storage Receptacle, Threaded Coupling | MIL-DTL-38999, Series III | C-4 |
| MIL-DTL-38999/28 | D38999/28 | --- | Consult Factory | Jam Nut with Safety Wire Holes | MIL-DTL-38999 Series III & IV; EN3645 | C-5 |
| MIL-DTL-38999/32 MIL-DTL-38999/33 | D38999/32 D38999/33 | --- | 660-023 660-024 | Composite or Metal Threaded Plug Cover Composite or Metal Threaded Receptacle Cover | MIL-DTL-38999, Series III | C-6 |
| MIL-DTL-38999/50 | D38999/50 | --- | 650HS007 | Dummy Storage Receptacle, Bayonet Coupling | MIL-DTL-38999, Series IV | C-7 |

C

Dimensions in inches (millimeters) and are subject to change without notice.

© 2013 Glenair, Inc.

U.S. CAGE Code 06324

Printed in U.S.A.



MS27501 and MS27502 Protective Plug and Receptacle Covers

MATING CONNECTOR

MIL-DTL-38999, Series I

Basic Part Number
MS27501 = Plug Cover
MS27502 = Receptacle Cover

Shell Size

Attachment Option

A = No Attachment
C = Chain
N = Chain with Ring (MS27502 Only)

MS27501

B

19

C

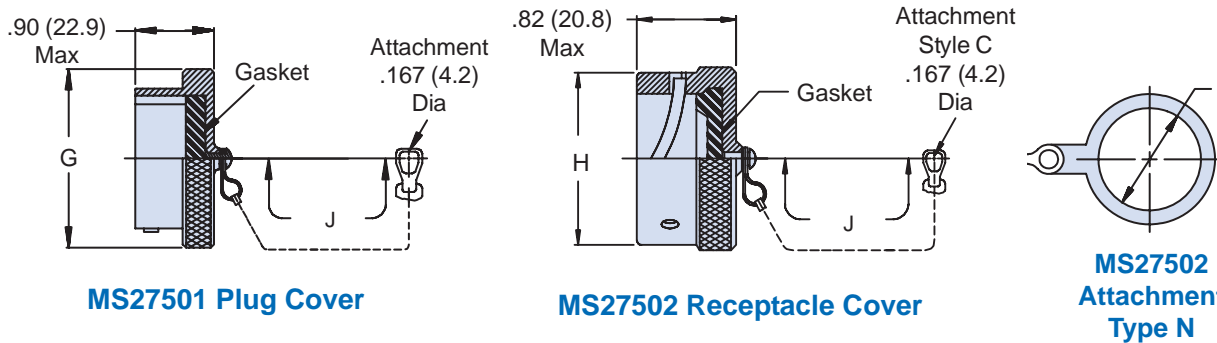
L

Finish

A = Gold Iridite over Cadmium over Nickel
B = 500 Hour Cadmium Olive Drab
C = Anodize
F = Electroless Nickel
T = Nickel Fluorocarbon Polymer
Z = Zinc Nickel

Length (Inches)

L = 5.0 (127.0)
M = 6.0 (152.4) MS27501 Only
N = 7.0 (177.8) MS27501 Only
 (Omit for Standard)



MS27501 Plug Cover

MS27502 Receptacle Cover

**MS27502
Attachment
Type N**

TABLE I: Shell Size, Attachment and Dimensions

| Shell Size | G Dia Max | H Max | J Attachment Length (Inches) | K Dia Min |
|------------|--------------|--------------|------------------------------|--------------|
| 9 | .820 (20.8) | .820 (20.8) | 3.000 (76.2) | .700 (17.8) |
| 11 | .940 (23.9) | .940 (23.9) | 3.000 (76.2) | .840 (21.3) |
| 13 | 1.070 (27.2) | 1.100 (27.9) | 3.500 (88.9) | 1.010 (25.7) |
| 15 | 1.190 (30.2) | 1.220 (31.0) | 3.500 (88.9) | 1.140 (29.0) |
| 17 | 1.320 (33.5) | 1.340 (34.0) | 3.500 (88.9) | 1.260 (32.0) |
| 19 | 1.440 (36.6) | 1.460 (37.1) | 3.500 (88.9) | 1.390 (35.3) |
| 21 | 1.570 (39.9) | 1.580 (40.1) | 4.000 (101.6) | 1.510 (38.4) |
| 23 | 1.690 (42.9) | 1.700 (43.2) | 4.000 (101.6) | 1.640 (41.7) |
| 25 | 1.820 (46.2) | 1.830 (46.5) | 4.000 (101.6) | 1.760 (44.7) |

APPLICATION NOTES

1. Assembly identified with manufacturer's name and part number, space permitting.
2. For complete dimensions, see the applicable Military Specification.
3. Metric dimensions (mm) are in parentheses.

Dimensions in inches (millimeters) and are subject to change without notice.

MS27510 and MS27511 Protective Plug and Receptacle Covers



MIL-DTL-38999

MATING CONNECTOR
MIL-DTL-38999, Series II

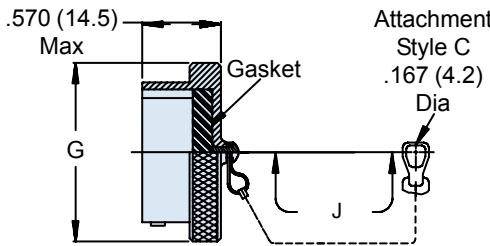
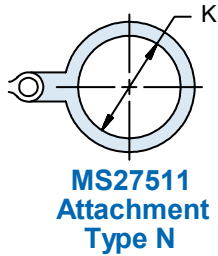
Basic Part Number
MS27510 = Plug Cover
MS27511 = Receptacle Cover

Attachment Option
A = No Attachment
C = Chain
N = Chain with Ring (MS27511 Only)
R = Rope (MS27511 Only)

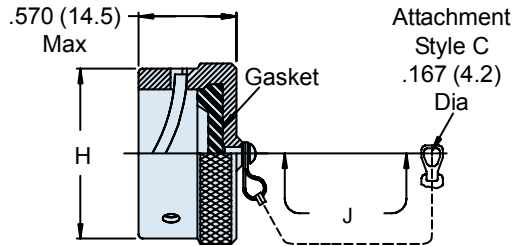
MS27511 B 19 C L

Finish
A = Gold Iridite over Cadmium over Nickel
B = 500 Hour Cadmium Olive Drab
C = Anodize
F = Electroless Nickel

Length (Inches)
L = 5.0 (127.0)
M = 6.0 (152.4) MS27510 Only
N = 7.0 (177.8) MS27510 Only
(Omit for Standard Length. Not Applicable to Style R—MS27511 Only)



MS27510 Plug Cover



MS27511 Receptacle Cover

TABLE I: Shell Size, Attachment and Dimensions

| Shell Size | G Dia Max | H Dia Max | J Std. Chain or Rope Length | K Dia Min |
|------------|--------------|--------------|-----------------------------|--------------|
| 8 | .720 (18.3) | .630 (16.0) | 3.000 (76.2) | .890 (22.6) |
| 10 | .850 (21.6) | .761 (19.3) | 3.000 (76.2) | 1.010 (25.7) |
| 12 | 1.000 (25.4) | .936 (23.8) | 3.500 (88.9) | 1.140 (29.0) |
| 14 | 1.130 (28.7) | 1.074 (27.3) | 3.500 (88.9) | 1.260 (32.0) |
| 16 | 1.250 (31.8) | 1.172 (29.8) | 3.500 (88.9) | 1.390 (35.3) |
| 18 | 1.380 (35.1) | 1.304 (33.1) | 3.500 (88.9) | 1.510 (38.4) |
| 20 | 1.500 (38.1) | 1.435 (36.4) | 4.000 (101.6) | 1.640 (41.7) |
| 22 | 1.630 (41.4) | 1.560 (39.6) | 4.000 (101.6) | 1.760 (44.7) |
| 24 | 1.750 (44.5) | 1.688 (42.9) | 4.000 (101.6) | 1.890 (48.0) |

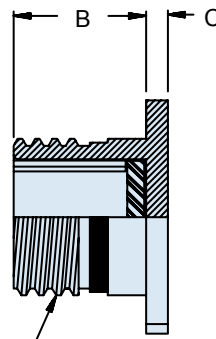
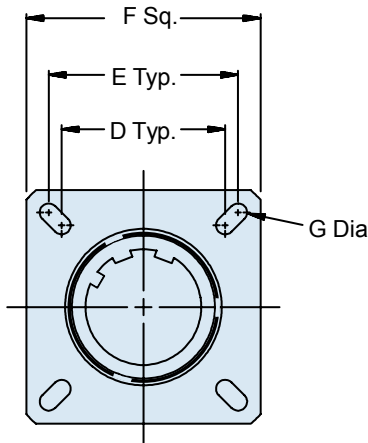
APPLICATION NOTES

1. Assembly identified with manufacturer's name and part number, space permitting.
2. For complete dimensions, see the applicable Military Specification.
3. Metric dimensions (mm) are in parentheses.

Dimensions in inches (millimeters) and are subject to change without notice.

MATING CONNECTOR

MIL-DTL-38999 Series III

D38999/22
**Shell
Size Code**
B
W
**Basic
Part No.**


A Thread

Class per Spec

C = Aluminum Anodize
F = Aluminum, Electroless Nickel
H = Stainless Steel, Passivated (Space Grade)
J = Composite, Cadmium Plated, Olive Drab
K = Corrosion-Resistant Steel Passivate
M = Composite, Electroless Nickel Plated
N = Stainless Steel, Electrodeposited Nickel
Y = Stainless Steel, Passivated

TABLE I: Shell Size Code and Dimensions

| Shell Size Code | Shell Size Ref. | A Thread | B -0.0 | | C | | D | |
|---------------------------|--------------------|----------------|--------|---------|--------|-------|-------|---------|
| | | | Max | | +0.012 | (0.3) | | |
| A (See Note 4) | 9 | .625-.1P-3LTS | .820 | (20.83) | .098 | (2.5) | .594 | (15.09) |
| AA (See Note 5) | 9 | .625-.1P-3LTS | .820 | (20.83) | .098 | (2.5) | .594 | (15.09) |
| B | 11 | .750-.1P-3LTS | .820 | (20.83) | .098 | (2.5) | .719 | (18.26) |
| C | 13 | .875-.1P-3LTS | .820 | (20.83) | .098 | (2.5) | .812 | (20.62) |
| D | 15 | 1.000-.1P-3LTS | .820 | (20.83) | .098 | (2.5) | .906 | (23.01) |
| E | 17 | 1.187-.1P-3LTS | .820 | (20.83) | .098 | (2.5) | .969 | (24.61) |
| F | 19 | 1.250-.1P-3LTS | .820 | (20.83) | .098 | (2.5) | 1.062 | (26.97) |
| G | 21 | 1.375-.1P-3LTS | .790 | (20.07) | .126 | (3.2) | 1.156 | (29.36) |
| H | 23 | 1.500-.1P-3LTS | .790 | (20.07) | .126 | (3.2) | 1.250 | (31.75) |
| J | 25 | 1.625-.1P-3LTS | .790 | (20.07) | .126 | (3.2) | 1.375 | (34.93) |

TABLE I: Shell Size Code and Dimensions

| Shell Size Code | Shell Size Ref. | E | | F -0.0 | | Ø G | |
|--------------------|--------------------|-------|---------|--------|--------|--------|--------|
| | | | | +0.012 | (0.3) | +0.008 | (0.2) |
| A | 9 | .719 | (18.26) | .937 | (23.8) | .128 | (3.25) |
| B | 11 | .812 | (20.62) | 1.031 | (26.2) | .128 | (3.25) |
| C | 13 | .906 | (23.01) | 1.126 | (28.6) | .128 | (3.25) |
| D | 15 | .969 | (24.61) | 1.220 | (31.0) | .128 | (3.25) |
| E | 17 | 1.062 | (26.97) | 1.311 | (33.3) | .128 | (3.25) |
| F | 19 | 1.156 | (29.36) | 1.437 | (36.5) | .128 | (3.25) |
| G | 21 | 1.250 | (31.75) | 1.563 | (39.7) | .128 | (3.25) |
| H | 23 | 1.375 | (34.93) | 1.689 | (42.9) | .154 | (3.91) |
| J | 25 | 1.500 | (38.10) | 1.811 | (46.0) | .154 | (3.91) |

APPLICATION NOTES

1. Assembly to be identified with manufacturer's name and part number, space permitting.
2. For complete dimensions, see the applicable Military Specification.
3. Metric dimensions (mm) are in parentheses.
4. Shell size code "A" is for polarization C, E and N only.
5. Shell size code "AA" is for polarization A, B and D only.

Dimensions in inches (millimeters) and are subject to change without notice.

D38999/28 Jam Nut



MIL-DTL-38999

| CONNECTOR DESIGNATOR: | |
|-----------------------|--|
| H | MIL-DTL-38999 Series III and IV, EN3645 |

| Material and Finish |
|---|
| <i>C</i> = Aluminum Anodize |
| <i>F</i> = Aluminum, Electroless Nickel |
| <i>K</i> = Corrosion-Resistant Steel Passivate |
| <i>W</i> = Aluminum, Cadmium Olive Drab over Electroless Nickel |

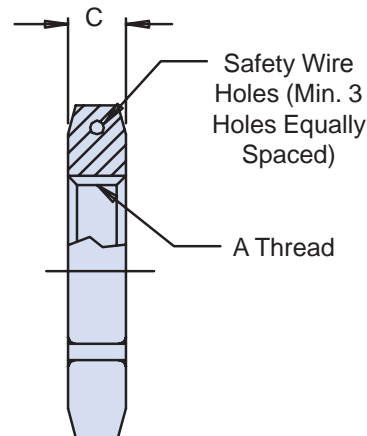
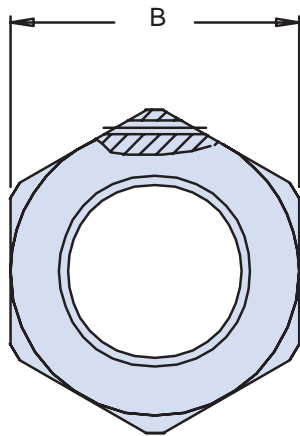
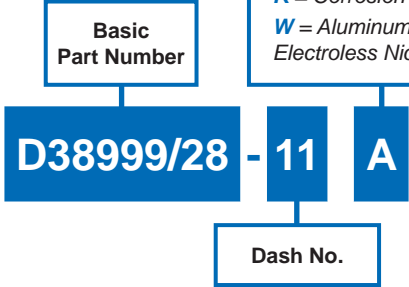


TABLE I: Reference for Connector Shell Size

| Dash No. | Shell Size | | A Thread Class 2B | B Hex Max | | C | |
|----------|------------|-----------|-------------------|-----------|---------|----------------|----------------|
| | Series III | Series IV | | | | ±.018 -.000 | (.45) (.00) |
| 1 | 9 | -- | M17 X 1 - 6H* | .945 | (24.00) | .125 | (3.17) |
| 2 | 11 | -- | M20 X 1 - 6H* | 1.063 | (27.00) | .125 | (3.17) |
| 3 | 13 | 11 | M25 X 1 - 6H | 1.260 | (32.00) | .125 | (3.17) |
| 4 | 15 | 13 | M28 X 1 - 6H | 1.417 | (36.00) | .125 | (3.17) |
| 5 | -- | 15 | M31 X 1 - 6H | 1.614 | (41.00) | .125 | (3.17) |
| 6 | 17 | -- | M32 X 1 - 6H | 1.457 | (37.00) | .125 | (3.17) |
| 7 | -- | 17 | M34 X 1 - 6H | 1.614 | (41.00) | .125 | (3.17) |
| 8 | 19 | -- | M35 X 1 - 6H | 1.614 | (41.00) | .125 | (3.17) |
| 9 | 21 | 19 | M38 X 1 - 6H | 1.811 | (46.00) | .125 | (3.17) |
| 10 | 23 | 21 | M41 X 1 - 6H | 1.969 | (50.00) | .125 | (3.17) |
| 11 | 25 | 23 | M44 X 1 - 6H | 2.017 | (51.23) | .125 | (3.17) |
| 12 | -- | 25 | M47 X 1 - 6H | 2.165 | (55.00) | .125 | (3.17) |

*Modified Minor Diameter

APPLICATION NOTES

1. Assembly identified with manufacturer's name and part number, space permitting.
2. For complete dimensions, see the applicable Military Specification.
3. Metric dimensions (mm) are in parentheses.

Dimensions in inches (millimeters) and are subject to change without notice.



D38999/32 and D38999/33 Composite or Metal Protective Covers Plug and Receptacle • MIL-DTL-38999 Series III Threaded

MATING CONNECTOR

MIL-DTL-38999, Series III Threaded

Basic Part Number

D38999/32 = Plug Cover
D38999/33 = Receptacle Cover

Shell Size
Designator

Attachment Style
R or N

D38999/32

W

15

N

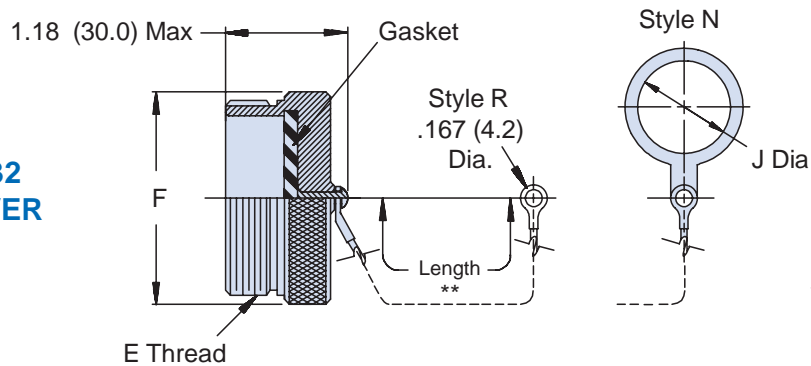
APPLICATION NOTES

1. Assembly identified with manufacturer's name and part number, space permitting.
2. For complete dimensions, see the applicable Military Specification.
3. Metric dimensions (mm) are in parentheses.

Material and Finish

C = Aluminum Anodize
F = Aluminum, Electroless Nickel
H = Stainless Steel, Passivated (Space Grade)
J = Composite, Cadmium Plated, Olive Drab
K = Corrosion-Resistant Steel Passivate
M = Composite, Electroless Nickel Plated
W = Aluminum, 500 Hour Cadmium Olive Drab

D38999/32 PLUG COVER



** Rope Length
5.000 (127.0)
+.50 (+13.0)
-.25 (-7.0)

D38999/33 RECEPTACLE COVER

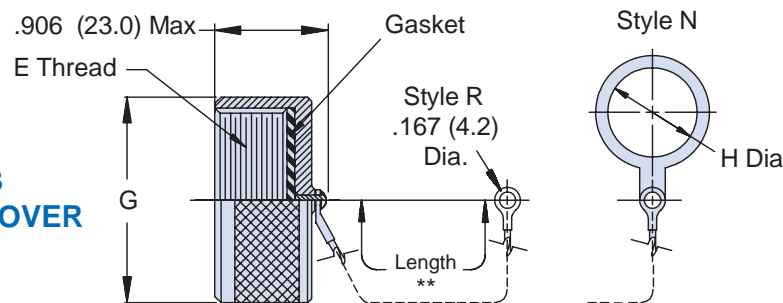


TABLE I: Shell Size, Thread and Dimensions

| Shell Size | E Thread | F Max | G Max | H Min | J Min |
|------------|---------------------|--------------|--------------|--------------|--------------|
| 9 | .6250-0.1P-0.3L-TS | .906 (23.0) | .906 (23.0) | .694 (17.6) | .512 (13.0) |
| 11 | .7500-0.1P-0.3L-TS | 1.024 (26.0) | 1.102 (28.0) | .865 (22.0) | .709 (18.0) |
| 13 | .8750-0.1P-0.3L-TS | 1.220 (31.0) | 1.220 (31.0) | .989 (25.1) | .787 (20.0) |
| 15 | 1.0000-0.1P-0.3L-TS | 1.300 (33.0) | 1.260 (32.0) | 1.178 (29.9) | .906 (23.0) |
| 17 | 1.1875-0.1P-0.3L-TS | 1.457 (37.0) | 1.457 (37.0) | 1.260 (32.0) | 1.024 (26.0) |
| 19 | 1.2500-0.1P-0.3L-TS | 1.575 (40.0) | 1.535 (39.0) | 1.428 (36.3) | 1.142 (29.0) |
| 21 | 1.3750-0.1P-0.3L-TS | 1.732 (44.0) | 1.654 (42.0) | 1.506 (38.3) | 1.260 (32.0) |
| 23 | 1.5000-0.1P-0.3L-TS | 1.811 (46.0) | 1.772 (45.0) | 1.678 (42.6) | 1.339 (34.0) |
| 25 | 1.6250-0.1P-0.3L-TS | 1.969 (50.0) | 1.929 (49.0) | 1.750 (44.5) | 1.535 (39.0) |

Dimensions in inches (millimeters) and are subject to change without notice.

D38999/50 Dummy Stowage Receptacle Bayonet Coupling



MIL-DTL-38999

MATING CONNECTOR
MIL-DTL-38999 Series IV

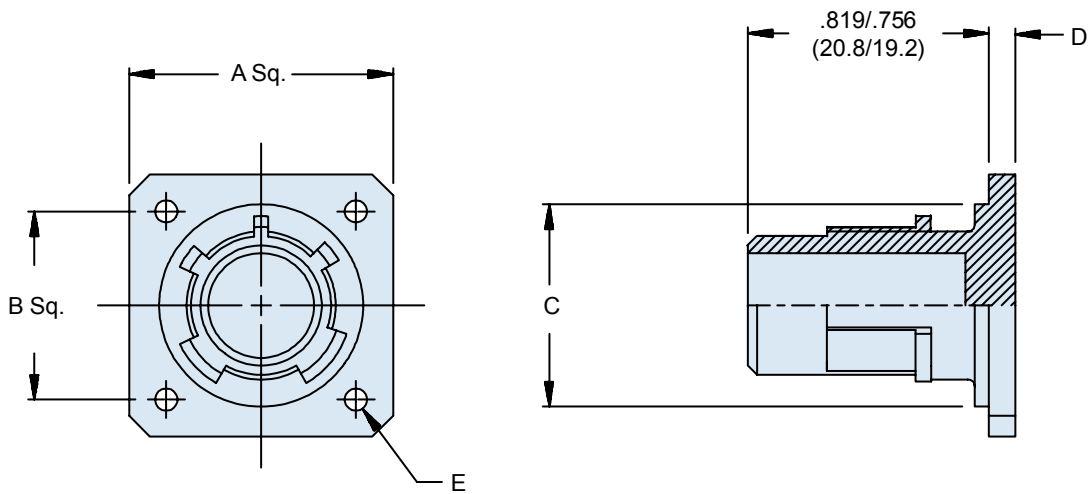
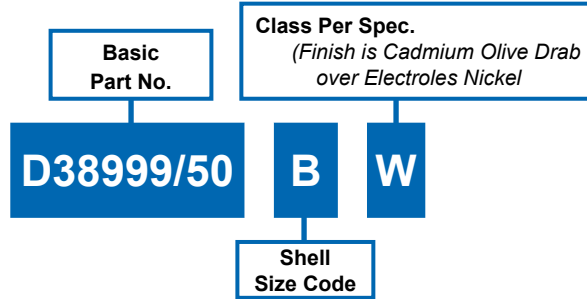


TABLE I: Dash Number, Cable Entry and Backshell Dimensions

| Shell Size Code | Shell Size Ref. | A | | B | | C | | D | | Ø E | |
|-----------------|-----------------|-------|---------|-------|---------|-------|---------|-------|---------|-------|--------|
| | | ±.043 | (±1.10) | BSC | | + 0 | (0.00) | ±.010 | (±0.25) | ±.008 | (±0.2) |
| | | | | | | -.015 | (-0.39) | | | | |
| B | 11 | 1.030 | (26.15) | .812 | (20.62) | .793 | (20.15) | .093 | (2.35) | .130 | (3.3) |
| C | 13 | 1.124 | (28.55) | .906 | (23.02) | .919 | (23.35) | .093 | (2.35) | .130 | (3.3) |
| D | 15 | 1.219 | (30.95) | .969 | (24.62) | 1.044 | (26.52) | .093 | (2.35) | .130 | (3.3) |
| E | 17 | 1.313 | (33.35) | 1.062 | (26.98) | 1.170 | (29.72) | .093 | (2.35) | .130 | (3.3) |
| F | 19 | 1.439 | (36.55) | 1.156 | (29.36) | 1.294 | (32.87) | .093 | (2.35) | .130 | (3.3) |
| G | 21 | 1.561 | (39.65) | 1.250 | (31.76) | 1.419 | (36.05) | .124 | (3.15) | .130 | (3.3) |
| H | 23 | 1.687 | (42.85) | 1.375 | (34.92) | 1.544 | (39.22) | .124 | (3.15) | .150 | (3.8) |
| J | 25 | 1.813 | (46.05) | 1.500 | (38.10) | 1.669 | (42.40) | .124 | (3.15) | .150 | (3.8) |

APPLICATION NOTES

1. Assembly to be identified with manufacturer's name and part number, space permitting.
2. For complete dimensions, see the applicable Military Specification.
3. Metric dimensions (mm) are in parentheses.

Dimensions in inches (millimeters) and are subject to change without notice.

WHY GLENAIR?

ANOTHER GOOD REASON

**TO SOURCE YOUR BACKSHELLS
FROM GLENAIR**



*Paul Winkler
Glenair Northern California
Sales Group*

NATIONWIDE TECH SUPPORT

**Technical support and application engineering is offered
nationwide by over 100 Glenair field representatives**



MIL-DTL-28840

Qualified Backshells and Connector Accessories



MIL-DTL-28840

D

| Industry Specification Number | Part Identification Number | Military Part Number Superseded | Glenair Commercial Part Number | Description | Glenair Connector Designator/Interface | Page No. |
|--------------------------------------|----------------------------|---------------------------------|--------------------------------|---|--|--------------|
| MIL-DTL-28840/1 | M28840/1 | -- | 620GS051 | Straight Non-Self-Locking Strain Relief | "G" MIL-DTL-28840 | D-2 |
| MIL-DTL-28840/2 | M28840/2 | -- | 620GA051 | 90° Non-Self-Locking Strain Relief | "G" MIL-DTL-28840 | D-3 |
| MIL-DTL-28840/3 | M28840/3 | -- | 620GB051 | 45° Non-Self-Locking Strain Relief | "G" MIL-DTL-28840 | D-4 |
| MIL-DTL-28840/4 | M28840/4 | -- | -- | Metal-Core Conduit | "G" MIL-DTL-28840 | D-5 |
| MIL-DTL-28840/5 | M28840/5 | -- | -- | Straight Backshell for Metal-Core Conduit | "G" MIL-DTL-28840 | D-6 |
| MIL-DTL-28840/6 | M28840/6 A M28840/6 B | -- | 390AB001 370 Series | Strt. EMI/RFI Environmental Backshell, Style A Straight Environmental Backshell, Style B | "G" MIL-DTL-28840 | D-7 D-8 |
| MIL-DTL-28840/7 | M28840/7 | -- | 650GS001 | Dummy Storage Receptacle, Threaded Coupling | "G" MIL-DTL-28840 | D-9 |
| MIL-DTL-28840/8 | M28840/8- M28840/8 A | -- | 390-061 | 90° Environmental Backshell, Style A 90° EMI/RFI Environmental Backshell, Style B | "G" MIL-DTL-28840 | D-10 D-11 |
| MIL-DTL-28840/9 | M28840/9 B M28840/9 A | -- | 390-061 | 45° Environmental Backshell, Style A 45° EMI/RFI Environmental Backshell | "G" MIL-DTL-28840 | D-12 D-13 |
| MIL-DTL-28840/13 MIL-DTL-28840/15 | M28840/13 M28840/15 | -- | 660-010 660-011 | Protective Threaded Receptacle Cover Protective Threaded Plug Cover | MIL-DTL-28840 | D-14 |
| MIL-DTL-28840/22 | M28840/22 | -- | -- | Metal-Core Conduit Bushing | "G" MIL-DTL-28840 | D-15 |
| MIL-DTL-28840/23 | M28840/23 | -- | Consult Factory | E Nut, Non-Self-Locking | "G" MIL-DTL-28840 | D-16 |
| MIL-DTL-28840/24 | M28840/24 | -- | Consult Factory | Gasket | "G" MIL-DTL-28840 | D-17 |

Dimensions in inches (millimeters) and are subject to change without notice.

© 2013 Glenair, Inc.

U.S. CAGE Code 06324

Printed in U.S.A.



MIL-DTL-28840/1 Straight Non-Self-Locking Strain Relief

CONNECTOR DESIGNATOR:

G MIL-DTL-28840

Basic
Part Number

Designator

M28840/1

J

W

Material and Finish

D = Corrosion Resistant Steel,
Cadmium Plate, Black

W = Aluminum, Cadmium Olive Drab

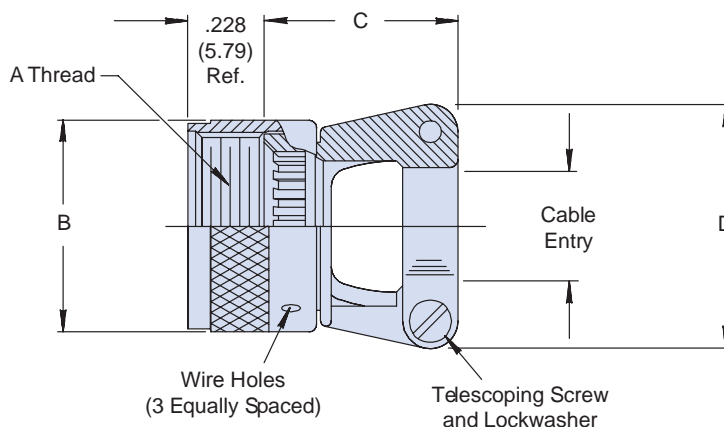


TABLE I: Shell Size, Cable Entry and Backshell Dimensions

| Designator | Shell Size Ref. | A Thread Class 2B | C Max | E Max | F Max | Cable Entry | | | | | |
|------------|-----------------|-------------------|--------------|--------------|--------------|-------------|--------------|-------------|--------------|-------------|--------------|
| | | | | | | Closed | | Open | | | |
| A | 11 | .750 - 20 UNEF | 1.028 (26.1) | 1.091 (27.7) | .903 (22.9) | .177 (4.5) | .286 (7.3) | .177 (4.5) | .286 (7.3) | .177 (4.5) | .286 (7.3) |
| B | 13 | .875 - 20 UNEF | 1.141 (29.0) | 1.091 (27.7) | .977 (24.8) | .177 (4.5) | .286 (7.3) | .177 (4.5) | .286 (7.3) | .177 (4.5) | .286 (7.3) |
| C | 15 | 1.000 - 20 UNEF | 1.263 (32.1) | 1.091 (27.7) | 1.151 (29.2) | .250 (6.4) | .416 (10.6) | .250 (6.4) | .416 (10.6) | .250 (6.4) | .416 (10.6) |
| D | 17 | 1.125 - 18 UNEF | 1.387 (35.2) | 1.206 (30.6) | 1.281 (32.5) | .291 (7.4) | .476 (12.1) | .291 (7.4) | .476 (12.1) | .291 (7.4) | .476 (12.1) |
| E | 19 | 1.250 - 18 UNEF | 1.513 (38.4) | 1.320 (33.5) | 1.406 (35.7) | .348 (8.8) | .626 (15.9) | .348 (8.8) | .626 (15.9) | .348 (8.8) | .626 (15.9) |
| F | 23 | 1.438 - 18 UNEF | 1.703 (43.3) | 1.445 (36.7) | 1.576 (40.0) | .429 (10.9) | .831 (21.1) | .429 (10.9) | .831 (21.1) | .429 (10.9) | .831 (21.1) |
| G | 25 | 1.562 - 18 UNEF | 1.825 (46.4) | 1.570 (39.9) | 1.666 (42.3) | .523 (13.3) | .956 (24.3) | .523 (13.3) | .956 (24.3) | .523 (13.3) | .956 (24.3) |
| H | 29 | 1.875 - 16 UN | 2.143 (54.4) | 1.721 (43.7) | 2.046 (52.0) | .643 (16.3) | 1.081 (27.5) | .643 (16.3) | 1.081 (27.5) | .643 (16.3) | 1.081 (27.5) |
| J | 33 | 2.062 - 16 UNS | 2.329 (59.2) | 1.908 (48.5) | 2.209 (56.1) | .704 (17.9) | 1.187 (30.1) | .704 (17.9) | 1.187 (30.1) | .704 (17.9) | 1.187 (30.1) |

APPLICATION NOTES

1. Assembly to be identified with manufacturer's name and part number, space permitting.
2. Cable Entry is defined as the accommodation entry for the wire bundle or cable. Dimensions are not intended for inspection criteria.
3. For complete dimensions, see the applicable Military Specification.
4. Metric dimensions (mm) are in parentheses.

Dimensions in inches (millimeters) and are subject to change without notice.

MIL-DTL-28840/2 90° Non-Self-Locking Strain Relief



MIL-DTL-28840

| | |
|------------------------------|---------------|
| CONNECTOR DESIGNATOR: | |
| G | MIL-DTL-28840 |

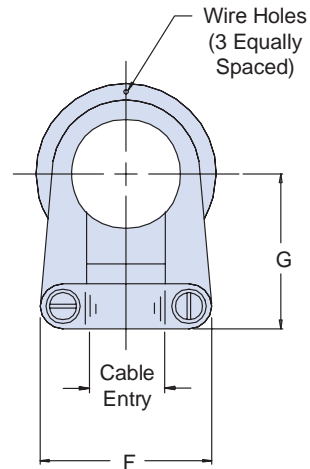
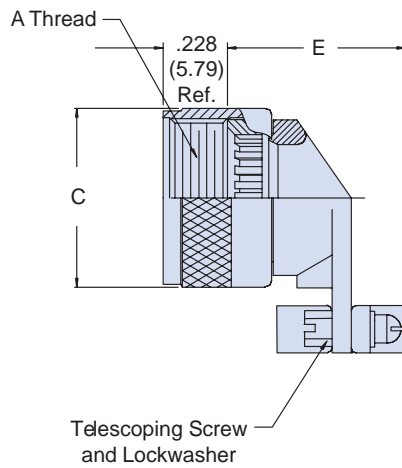
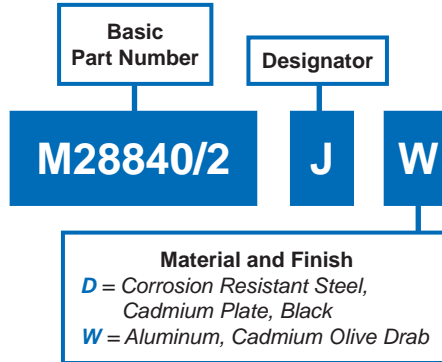


TABLE I: Shell Size, Cable Entry and Backshell Dimensions

| Designator | Shell Size Ref. | A Thread Class 2B | C Max | E Max | F Max | G Max | Cable Entry | | | |
|------------|-----------------|-------------------|--------------|--------------|--------------|--------------|-------------|--------------|-------------|--------------|
| | | | | | | | Min | Max | Min | Max |
| A | 11 | .750 - 20 UNEF | 1.028 (26.1) | 1.071 (27.2) | .903 (22.9) | .929 (23.6) | .177 (4.5) | .286 (7.3) | .177 (4.5) | .286 (7.3) |
| B | 13 | .875 - 20 UNEF | 1.141 (29.0) | 1.071 (27.2) | .977 (24.8) | .929 (23.6) | .177 (4.5) | .286 (7.3) | .177 (4.5) | .286 (7.3) |
| C | 15 | 1.000 - 20 UNEF | 1.263 (32.1) | 1.280 (32.5) | 1.151 (29.2) | 1.056 (26.8) | .250 (6.4) | .416 (10.6) | .250 (6.4) | .416 (10.6) |
| D | 17 | 1.125 - 18 UNEF | 1.387 (35.2) | 1.392 (35.4) | 1.281 (32.5) | 1.233 (31.3) | .291 (7.4) | .476 (12.1) | .291 (7.4) | .476 (12.1) |
| E | 19 | 1.250 - 18 UNEF | 1.513 (38.4) | 1.517 (38.5) | 1.406 (35.7) | 1.296 (32.9) | .348 (8.8) | .626 (15.9) | .348 (8.8) | .626 (15.9) |
| F | 23 | 1.438 - 18 UNEF | 1.703 (43.3) | 1.642 (41.7) | 1.576 (40.0) | 1.358 (34.5) | .429 (10.9) | .831 (21.1) | .429 (10.9) | .831 (21.1) |
| G | 25 | 1.562 - 18 UNEF | 1.825 (46.4) | 1.767 (44.9) | 1.666 (42.3) | 1.420 (36.1) | .523 (13.3) | .956 (24.3) | .523 (13.3) | .956 (24.3) |
| H | 29 | 1.875 - 16 UN | 2.143 (54.4) | 1.905 (48.4) | 2.046 (52.0) | 1.634 (41.5) | .643 (16.3) | 1.081 (27.5) | .643 (16.3) | 1.081 (27.5) |
| J | 33 | 2.062 - 16 UNS | 2.329 (59.2) | 1.968 (50.0) | 2.209 (56.1) | 1.859 (47.2) | .704 (17.9) | 1.187 (30.1) | .704 (17.9) | 1.187 (30.1) |

APPLICATION NOTES

1. Assembly to be identified with manufacturer's name and part number, space permitting.
2. Cable Entry is defined as the accommodation entry for the wire bundle or cable. Dimensions are not intended for inspection criteria.
3. For complete dimensions, see the applicable Military Specification.
4. Metric dimensions (mm) are in parentheses.

Dimensions in inches (millimeters) and are subject to change without notice.

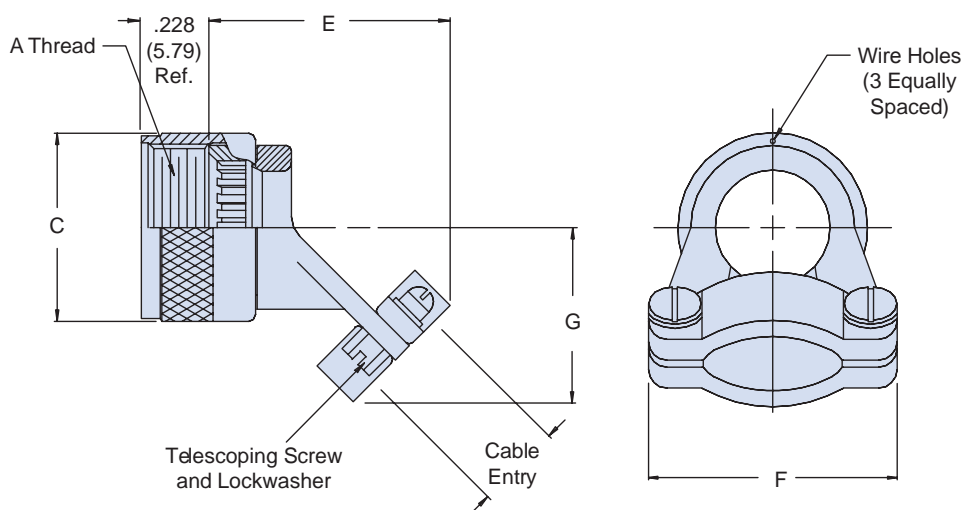


MIL-DTL-28840/3 45° Non-Self-Locking Strain Relief

CONNECTOR DESIGNATOR:
G MIL-DTL-28840

**Basic
Part Number**
Designator
M28840/3
J
W
Material and Finish

D = Corrosion Resistant Steel,
Cadmium Plate, Black
W = Aluminum, Cadmium Olive Drab


TABLE I: Shell Size, Cable Entry and Backshell Dimensions

| Designator | Shell Size Ref. | A Thread Class 2B | C Max | E Max | F Max | G Max | Cable Entry | | | |
|------------|-----------------|-------------------|--------------|--------------|--------------|--------------|-------------|--------------|-------------|--------------|
| | | | | | | | Min | Max | Min | Max |
| A | 11 | .750 - 20 UNEF | 1.028 (26.1) | 1.650 (41.9) | .903 (22.9) | .929 (23.6) | .177 (4.5) | .286 (7.3) | .177 (4.5) | .286 (7.3) |
| B | 13 | .875 - 20 UNEF | 1.141 (29.0) | 1.650 (41.9) | .977 (24.8) | .929 (23.6) | .177 (4.5) | .286 (7.3) | .177 (4.5) | .286 (7.3) |
| C | 15 | 1.000 - 20 UNEF | 1.263 (32.1) | 1.765 (44.8) | 1.151 (29.2) | 1.056 (26.8) | .250 (6.4) | .416 (10.6) | .250 (6.4) | .416 (10.6) |
| D | 17 | 1.125 - 18 UNEF | 1.387 (35.2) | 1.874 (47.6) | 1.281 (32.5) | 1.233 (31.3) | .291 (7.4) | .476 (12.1) | .291 (7.4) | .476 (12.1) |
| E | 19 | 1.250 - 18 UNEF | 1.513 (38.4) | 1.918 (48.7) | 1.406 (35.7) | 1.296 (32.9) | .348 (8.8) | .626 (15.9) | .348 (8.8) | .626 (15.9) |
| F | 23 | 1.438 - 18 UNEF | 1.703 (43.3) | 1.962 (49.8) | 1.576 (40.0) | 1.358 (34.5) | .429 (10.9) | .831 (21.1) | .429 (10.9) | .831 (21.1) |
| G | 25 | 1.562 - 18 UNEF | 1.825 (46.4) | 2.006 (51.0) | 1.666 (42.3) | 1.420 (36.1) | .523 (13.3) | .956 (24.3) | .523 (13.3) | .956 (24.3) |
| H | 29 | 1.875 - 16 UN | 2.143 (54.4) | 2.301 (58.4) | 2.046 (52.0) | 1.634 (41.5) | .643 (16.3) | 1.081 (27.5) | .643 (16.3) | 1.081 (27.5) |
| J | 33 | 2.062 - 16 UNS | 2.329 (59.2) | 2.389 (60.7) | 2.209 (56.1) | 1.859 (47.2) | .704 (17.9) | 1.187 (30.1) | .704 (17.9) | 1.187 (30.1) |

APPLICATION NOTES

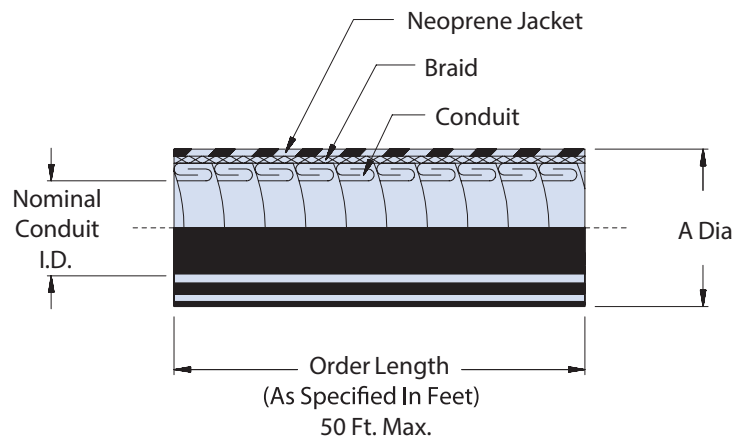
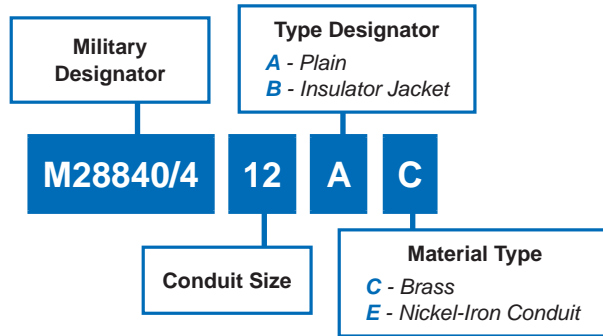
1. Assembly to be identified with manufacturer's name and part number, space permitting.
2. Cable Entry is defined as the accommodation entry for the wire bundle or cable. Dimensions are not intended for inspection criteria.
3. For complete dimensions, see the applicable Military Specification.
4. Metric dimensions (mm) are in parentheses.

Dimensions in inches (millimeters) and are subject to change without notice.

M28840/4 Metal Core Conduit



MIL-DTL-28840



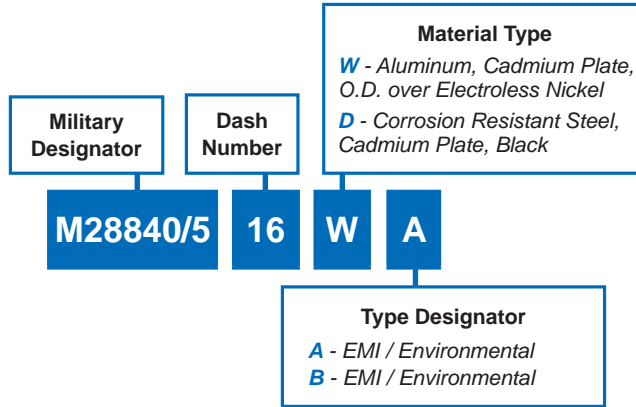
D

| Size | Nominal Conduit Inside Diameter | A Diameter Over Shield ± .010 (0.25) | L | B Diameter Max Over Jacket |
|------|---------------------------------|--------------------------------------|-------------|----------------------------|
| 03 | .375 (9.52) | .525 (13.34) | 50 ft. Max. | .688 (17.47) |
| 04 | .500 (12.70) | .650 (16.51) | | .812 (20.62) |
| 05 | .625 (15.87) | .765 (19.43) | | .937 (23.79) |
| 06 | .750 (19.05) | .925 (23.50) | | 1.078 (27.38) |
| 08 | 1.00 (25.40) | 1.210 (30.73) | | 1.437 (36.49) |
| 10 | 1.25 (31.75) | 1.455 (36.96) | | 1.695 (43.05) |
| 12 | 1.500 (38.10) | 1.725 (43.82) | | 1.956 (49.68) |
| 16 | 2.000 (50.80) | 2.200 (55.88) | | 2.469 (62.71) |

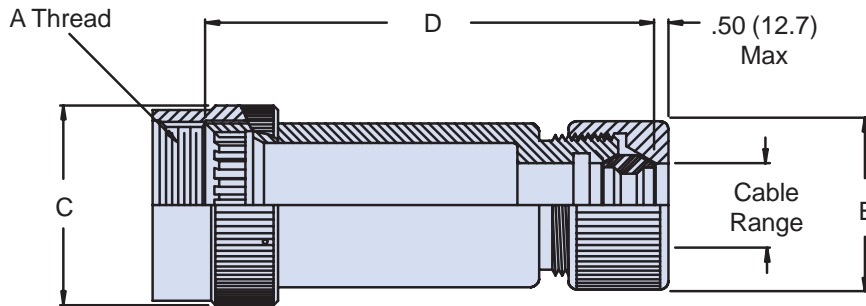
Dimensions in inches (millimeters) and are subject to change without notice.



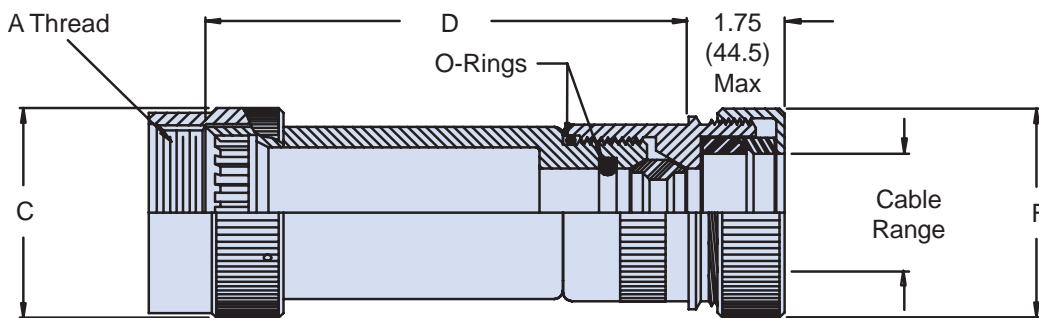
M28840/5 Backshell for Metal Core Conduit



D



STYLE A - EMI/Non-Environmental
(Plain Conduit)



STYLE B - EMI/Environmental
(Jacket Conduit)

Dimensions in inches (millimeters) and are subject to change without notice.

MIL-DTL-28840/6 Style A Straight EMI/RFI Environmental Backshell



MIL-DTL-28840

| CONNECTOR DESIGNATOR: | |
|-----------------------|---------------|
| G | MIL-DTL-28840 |

Material and Finish
D = Corrosion Resistant Steel, Cadmium Plate, Black
W = Aluminum, Cadmium Olive Drab

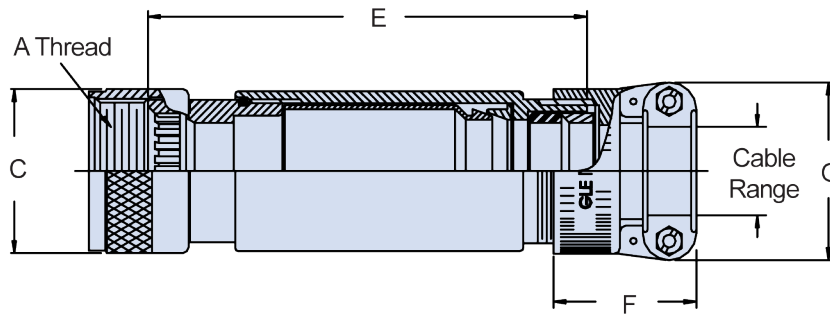
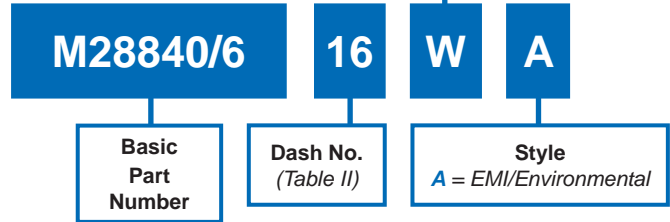


TABLE I: Shell Size and Dimensions

| Shell Size | A Thread Class 2B | C Dia Max |
|------------|-------------------|--------------|
| 11 | .750 - 20 UNEF | 1.028 (26.1) |
| 13 | .875 - 20 UNEF | 1.141 (29.0) |
| 15 | 1.000 - 20 UNEF | 1.263 (32.1) |
| 17 | 1.125 - 18 UNEF | 1.387 (35.2) |
| 19 | 1.250 - 18 UNEF | 1.513 (38.4) |
| 23 | 1.438 - 18 UNEF | 1.703 (43.3) |
| 25 | 1.562 - 18 UNEF | 1.825 (46.4) |
| 29 | 1.875 - 16 UN | 2.143 (54.4) |
| 33 | 2.062 - 16 UNS | 2.329 (59.2) |

APPLICATION NOTES

- For complete dimensions see the applicable Military Specification.
- Metric dimensions (mm) are in parentheses.
- Cable Range is defined as the accommodation range for the wire bundle or cable. Dimensions shown are not intended for inspection criteria.

TABLE II: Dash Number, Shell Size, Dimensions and Cable Range

| Dash No. | Shell Size | E ± .120 (3.0) | F Ref Dim | G Ref Dim | Cable Range | |
|----------|------------|----------------|--------------|--------------|--------------|--------------|
| | | | | | Min | Max |
| 01 | 11 | 3.62 (91.9) | 1.281 (32.5) | .938 (23.8) | .188 (4.8) | .312 (7.9) |
| 02 | 13 | 3.62 (91.9) | 1.281 (32.5) | .938 (23.8) | .188 (4.8) | .312 (7.9) |
| 03 | 13 | 3.62 (91.9) | 1.281 (32.5) | 1.125 (28.6) | .281 (7.1) | .438 (11.1) |
| 04 | 15 | 3.62 (91.9) | 1.281 (32.5) | .938 (23.8) | .188 (4.8) | .312 (7.9) |
| 05 | 15 | 3.62 (91.9) | 1.281 (32.5) | 1.125 (28.6) | .281 (7.1) | .438 (11.1) |
| 06 | 15 | 3.62 (91.9) | 1.281 (32.5) | 1.312 (33.3) | .344 (8.7) | .562 (14.3) |
| 07 | 15 | 4.12 (104.6) | 1.312 (33.3) | 1.593 (40.5) | .438 (11.1) | .750 (19.1) |
| 08 | 17 | 4.12 (104.6) | 1.281 (32.5) | 1.312 (33.3) | .375 (9.5) | .625 (15.9) |
| 09 | 17 | 4.12 (104.6) | 1.312 (33.3) | 1.593 (40.5) | .438 (11.1) | .750 (19.1) |
| 10 | 17 | 4.12 (104.6) | 1.406 (35.7) | 1.750 (44.5) | .625 (15.9) | .938 (23.8) |
| 11 | 19 | 4.12 (104.6) | 1.281 (32.5) | 1.312 (33.3) | .375 (9.5) | .625 (15.9) |
| 12 | 19 | 4.12 (104.6) | 1.406 (35.7) | 1.750 (44.5) | .625 (15.9) | .938 (23.8) |
| 13 | 23 | 4.62 (117.3) | 1.312 (33.3) | 1.593 (40.5) | .438 (11.1) | .750 (19.1) |
| 14 | 23 | 4.62 (117.3) | 1.406 (35.7) | 1.750 (44.5) | .625 (15.9) | .938 (23.8) |
| 15 | 23 | 4.62 (117.3) | 1.593 (40.5) | 2.093 (53.2) | .812 (20.6) | 1.188 (30.2) |
| 16 | 25 | 4.62 (117.3) | 1.406 (35.7) | 1.750 (44.5) | .625 (15.9) | .938 (23.8) |
| 17 | 25 | 5.12 (130.0) | 1.593 (40.5) | 2.093 (53.2) | .812 (20.6) | 1.188 (30.2) |
| 18 | 25 | 5.12 (130.0) | 1.593 (40.5) | 2.093 (53.2) | .875 (22.2) | 1.250 (31.8) |
| 19 | 25 | 5.12 (130.0) | 1.625 (41.3) | 2.343 (59.5) | 1.000 (25.4) | 1.380 (35.1) |
| 20 | 29 | 5.12 (130.0) | 1.593 (40.5) | 2.093 (53.2) | .812 (20.6) | 1.188 (30.2) |
| 21 | 29 | 5.12 (130.0) | 1.625 (41.3) | 2.343 (59.5) | 1.000 (25.4) | 1.380 (35.1) |
| 22 | 33 | 5.12 (130.0) | 1.625 (41.3) | 2.343 (59.5) | 1.000 (25.4) | 1.380 (35.1) |
| 23 | 33 | 5.12 (130.0) | 1.900 (48.3) | 2.750 (69.9) | 1.250 (31.8) | 1.625 (41.3) |
| 24 | 11 | 3.62 (91.9) | 1.281 (32.5) | 1.125 (28.6) | .281 (7.1) | .438 (11.1) |
| 25 | 11 | 3.62 (91.9) | 1.281 (32.5) | 1.312 (33.3) | .344 (8.7) | .562 (14.3) |
| 26 | 13 | 3.62 (91.9) | 1.281 (32.5) | 1.312 (33.3) | .344 (8.7) | .562 (14.3) |
| 27 | 13 | 4.12 (104.6) | 1.281 (32.5) | 1.312 (33.3) | .375 (9.5) | .625 (15.9) |
| 28 | 15 | 4.12 (104.6) | 1.281 (32.5) | 1.312 (33.3) | .375 (9.5) | .625 (15.9) |

Dimensions in inches (millimeters) and are subject to change without notice.



MIL-DTL-28840/6 Style B Straight Environmental Backshell

CONNECTOR DESIGNATOR:

G MIL-DTL-28840

Basic
Part Number

M28840/6

Material and Finish

D = Corrosion Resistant Steel,
Cadmium Plate, Black
W = Aluminum, Cadmium Olive Drab

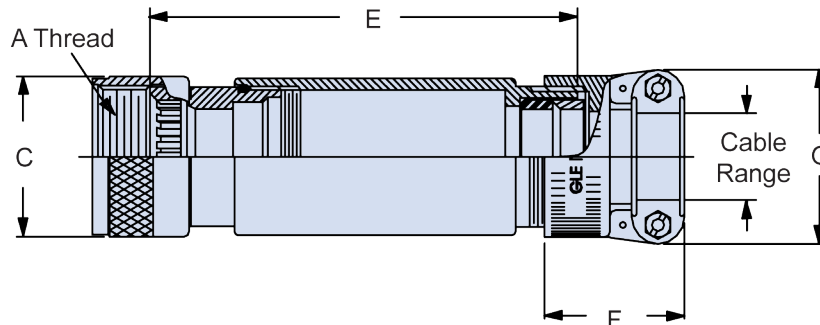
16

Dash Number
(Table II)

W

Style Designator
B = Environmental

B



APPLICATION NOTES

- For complete dimensions see the applicable Military Specification.
- Metric dimensions (mm) are in parentheses.
- Cable Range is defined as the accommodation range for the wire bundle or cable. Dimensions shown are not intended for inspection criteria.

TABLE I: Shell Size

| Shell Size | A Thread Class 2B | C Dia Max |
|------------|-------------------|--------------|
| 11 | .750 - 20 UNEF | 1.030 (26.2) |
| 13 | .875 - 20 UNEF | 1.140 (29.0) |
| 15 | 1.000 - 20 UNEF | 1.260 (32.0) |
| 17 | 1.125 - 18 UNEF | 1.390 (35.3) |
| 19 | 1.250 - 18 UNEF | 1.510 (38.4) |
| 23 | 1.438 - 18 UNEF | 1.700 (43.2) |
| 25 | 1.563 - 18 UNEF | 1.820 (46.2) |
| 29 | 1.875 - 16 UN | 2.140 (54.4) |
| 33 | 2.063 - 16 UNS | 2.330 (59.2) |

TABLE II: Dash Number and Dimensions

| Dash No. | Shell Size Ref. | E ± .12 (3.0) | F Ref. Dim | G Ref. Dim | Cable Range | |
|----------|-----------------|---------------|--------------|--------------|--------------|--------------|
| | | | | | Min | Max |
| 01 | 11 | 3.620 (91.9) | 1.281 (32.5) | .938 (23.8) | .188 (4.8) | .312 (7.9) |
| 02 | 13 | 3.620 (91.9) | 1.281 (32.5) | .938 (23.8) | .188 (4.8) | .312 (7.9) |
| 03 | 13 | 3.620 (91.9) | 1.281 (32.5) | 1.125 (28.6) | .281 (7.1) | .438 (11.1) |
| 04 | 15 | 3.620 (91.9) | 1.281 (32.5) | .938 (23.8) | .188 (4.8) | .312 (7.9) |
| 05 | 15 | 3.620 (91.9) | 1.281 (32.5) | 1.125 (28.6) | .281 (7.1) | .438 (11.1) |
| 06 | 15 | 3.620 (91.9) | 1.281 (32.5) | 1.312 (33.3) | .344 (8.7) | .562 (14.3) |
| 07 | 15 | 4.120 (104.6) | 1.312 (33.3) | 1.593 (40.5) | .438 (11.1) | .750 (19.1) |
| 08 | 17 | 4.120 (104.6) | 1.281 (32.5) | 1.312 (33.3) | .375 (9.5) | .625 (15.9) |
| 09 | 17 | 4.120 (104.6) | 1.312 (33.3) | 1.593 (40.5) | .438 (11.1) | .750 (19.1) |
| 10 | 17 | 4.120 (104.6) | 1.406 (35.7) | 1.750 (44.5) | .625 (15.9) | .938 (23.8) |
| 11 | 19 | 4.120 (104.6) | 1.281 (32.5) | 1.312 (33.3) | .375 (9.5) | .625 (15.9) |
| 12 | 19 | 4.120 (104.6) | 1.406 (35.7) | 1.750 (44.5) | .625 (15.9) | .938 (23.8) |
| 13 | 23 | 4.620 (117.3) | 1.312 (33.3) | 1.593 (40.5) | .438 (11.1) | .750 (19.1) |
| 14 | 23 | 4.620 (117.3) | 1.406 (35.7) | 1.750 (44.5) | .625 (15.9) | .938 (23.8) |
| 15 | 23 | 4.620 (117.3) | 1.593 (40.5) | 2.003 (50.9) | .812 (20.6) | 1.188 (30.2) |
| 16 | 25 | 4.620 (117.3) | 1.406 (35.7) | 1.750 (44.5) | .625 (15.9) | .938 (23.8) |
| 17 | 25 | 5.120 (130.0) | 1.593 (40.5) | 2.093 (53.2) | .812 (20.6) | 1.188 (30.2) |
| 18 | 25 | 5.120 (130.0) | 1.593 (40.5) | 2.093 (53.2) | .875 (22.2) | 1.250 (31.8) |
| 19 | 25 | 5.120 (130.0) | 1.625 (41.3) | 2.343 (59.5) | 1.000 (25.4) | 1.380 (35.1) |
| 20 | 29 | 5.120 (130.0) | 1.593 (40.5) | 2.093 (53.2) | .812 (20.6) | 1.188 (30.2) |
| 21 | 29 | 5.120 (130.0) | 1.625 (41.3) | 2.343 (59.5) | 1.000 (25.4) | 1.380 (35.1) |
| 22 | 33 | 5.120 (130.0) | 1.625 (41.3) | 2.343 (59.5) | 1.000 (25.4) | 1.380 (35.1) |
| 23 | 33 | 5.120 (130.0) | 1.900 (48.3) | 2.750 (69.9) | 1.250 (31.8) | 1.625 (41.3) |
| 24 | 11 | 3.620 (91.9) | 1.281 (32.5) | 1.125 (28.6) | .281 (7.1) | .438 (11.1) |
| 25 | 11 | 3.620 (91.9) | 1.281 (32.5) | 1.312 (33.3) | .344 (8.7) | .562 (14.3) |
| 26 | 13 | 3.620 (91.9) | 1.281 (32.5) | 1.312 (33.3) | .344 (8.7) | .562 (14.3) |
| 27 | 13 | 4.120 (104.6) | 1.281 (32.5) | 1.312 (33.3) | .375 (9.5) | .625 (15.9) |
| 28 | 15 | 4.120 (104.6) | 1.281 (32.5) | 1.312 (33.3) | .375 (9.5) | .625 (15.9) |

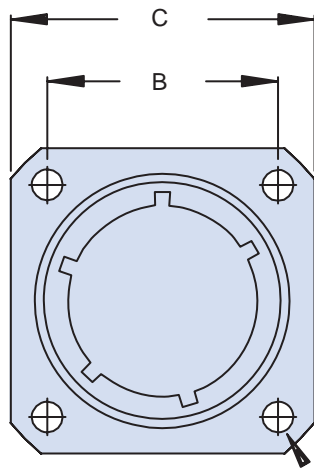
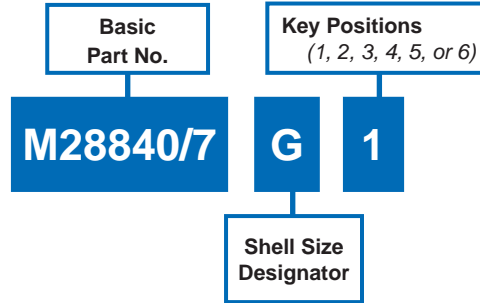
Dimensions in inches (millimeters) and are subject to change without notice.

M28840/7 Dummy Storage Receptacle Threaded Coupling



MIL-DTL-28840

| |
|-------------------------|
| MATING CONNECTOR |
| MIL-DTL-28840 |



D Dia
4 Holes

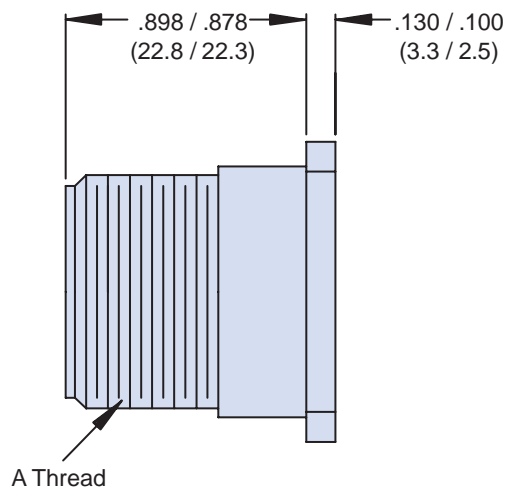


TABLE I: Dash Number, Cable Entry and Backshell Dimensions

| Shell Size Designator | Shell Size Ref. | E Thread | B Dim | C Max | D Max |
|-----------------------|-----------------|--------------------|--------------|--------------|------------|
| A | 11 | 0.750-0.1P-0.2L-DS | .750 (19.1) | 1.043 (26.5) | .130 (3.3) |
| B | 13 | 0.875-0.1P-0.2L-DS | .843 (21.4) | 1.158 (29.4) | .130 (3.3) |
| C | 15 | 1.062-0.1P-0.2L-DS | .968 (24.6) | 1.278 (32.5) | .130 (3.3) |
| D | 17 | 1.125-0.1P-0.2L-DS | 1.015 (25.8) | 1.403 (35.6) | .130 (3.3) |
| E | 19 | 1.312-0.1P-0.2L-DS | 1.140 (29.0) | 1.528 (38.8) | .130 (3.3) |
| F | 23 | 1.500-0.1P-0.2L-DS | 1.281 (32.5) | 1.738 (44.1) | .130 (3.3) |
| G | 25 | 1.625-0.1P-0.2L-DS | 1.392 (35.4) | 1.838 (46.7) | .157 (4.0) |
| H | 29 | 1.812-0.1P-0.2L-DS | 1.568 (39.8) | 2.158 (54.8) | .157 (4.0) |
| J | 33 | 2.000-0.1P-0.2L-DS | 1.734 (44.0) | 2.348 (59.6) | .183 (4.6) |

APPLICATION NOTES

1. Assembly to be identified with manufacturer's name and part number, space permitting.
2. For complete dimensions, see the applicable Military Specification.
3. Material/Finish: Aluminum Alloy/Cadmium Olive Drab.
4. Metric dimensions (mm) are in parentheses.

Dimensions in inches (millimeters) and are subject to change without notice.





MIL-DTL-28840/8 Style A 90° EMI/RFI Environmental Backshell

CONNECTOR DESIGNATOR:

G MIL-DTL-28840

Material and Finish

D = Corrosion Resistant Steel, Cadmium Plate, Black
W = Aluminum, Cadmium Olive Drab

M28840/8

16

W

A

**Basic
Part
Number**

**Dash No.
(Table II)**

**Style
A = EMI/Environmental**

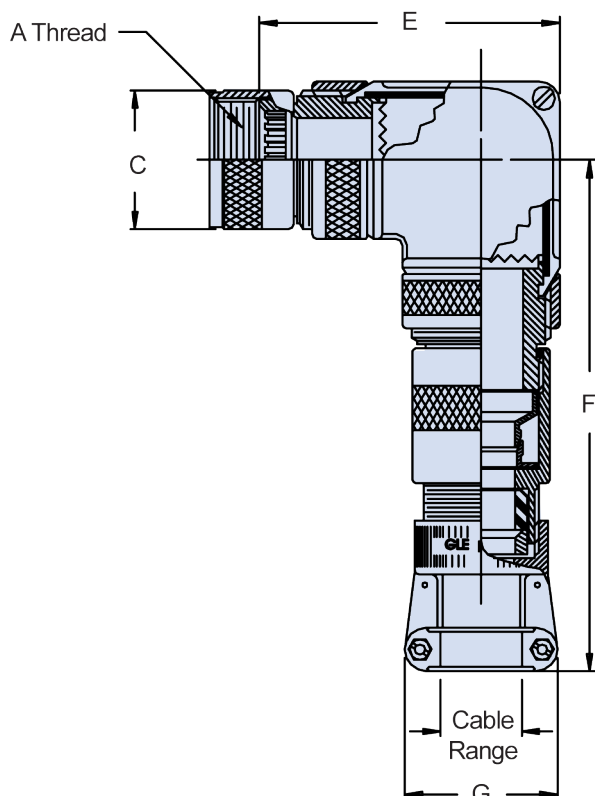


TABLE II: Dash Number, Shell Size, Dimensions and Cable Range

| Dash No. | Shell Size | E Max Envelope | F Max | G Ref Dim | Cable Range | |
|----------|------------|----------------|---------------|--------------|--------------|--------------|
| | | | | | Min | Max |
| 01 | 11 | 2.614 (66.4) | 5.332 (135.4) | .938 (23.8) | .188 (4.8) | .312 (7.9) |
| 02 | 13 | 2.614 (66.4) | 5.332 (135.4) | .938 (23.8) | .188 (4.8) | .312 (7.9) |
| 03 | 13 | 2.614 (66.4) | 5.332 (135.4) | 1.125 (28.6) | .281 (7.1) | .438 (11.1) |
| 04 | 15 | 2.864 (72.7) | 5.457 (138.6) | .938 (23.8) | .188 (4.8) | .312 (7.9) |
| 05 | 15 | 2.864 (72.7) | 5.457 (138.6) | 1.125 (28.6) | .281 (7.1) | .438 (11.1) |
| 06 | 15 | 2.864 (72.7) | 5.457 (138.6) | 1.312 (33.3) | .344 (8.7) | .562 (14.3) |
| 07 | 15 | 3.114 (79.1) | 5.682 (144.3) | 1.593 (40.5) | .438 (11.1) | .750 (19.1) |
| 08 | 17 | 3.114 (79.1) | 5.682 (144.3) | 1.312 (33.3) | .375 (9.5) | .625 (15.9) |
| 09 | 17 | 3.114 (79.1) | 5.713 (145.1) | 1.593 (40.5) | .438 (11.1) | .750 (19.1) |
| 10 | 17 | 3.114 (79.1) | 5.807 (147.5) | 1.750 (44.5) | .625 (15.9) | .938 (23.8) |
| 11 | 19 | 3.114 (79.1) | 5.682 (144.3) | 1.312 (33.3) | .375 (9.5) | .625 (15.9) |
| 12 | 19 | 3.364 (85.4) | 5.832 (148.1) | 1.750 (44.5) | .625 (15.9) | .938 (23.8) |
| 13 | 23 | 3.364 (85.4) | 5.738 (145.7) | 1.593 (40.5) | .438 (11.1) | .750 (19.1) |
| 14 | 23 | 3.364 (85.4) | 5.832 (148.1) | 1.750 (44.5) | .625 (15.9) | .938 (23.8) |
| 15 | 23 | 3.364 (85.4) | 6.019 (152.9) | 2.093 (53.2) | .812 (20.6) | 1.188 (30.2) |
| 16 | 25 | 3.364 (85.4) | 5.832 (148.1) | 1.750 (44.5) | .625 (15.9) | .938 (23.8) |
| 17 | 25 | 3.364 (85.4) | 6.019 (152.9) | 2.093 (53.2) | .812 (20.6) | 1.188 (30.2) |
| 18 | 25 | 3.614 (91.8) | 6.144 (156.1) | 2.093 (53.2) | .875 (22.2) | 1.250 (31.8) |
| 19 | 25 | 3.614 (91.8) | 6.176 (156.9) | 2.343 (59.5) | 1.000 (25.4) | 1.380 (35.1) |
| 20 | 29 | 3.614 (91.8) | 6.144 (156.1) | 2.093 (53.2) | .812 (20.6) | 1.188 (30.2) |
| 21 | 29 | 3.614 (91.8) | 6.176 (156.9) | 2.343 (59.5) | 1.000 (25.4) | 1.380 (35.1) |
| 22 | 33 | 4.114 (104.5) | 6.426 (163.2) | 2.343 (59.5) | 1.000 (25.4) | 1.380 (35.1) |
| 23 | 33 | 4.114 (104.5) | 6.701 (170.2) | 2.750 (69.9) | 1.250 (31.8) | 1.625 (41.3) |
| 24 | 11 | 2.614 (66.4) | 5.332 (135.4) | 1.125 (28.6) | .281 (7.1) | .438 (11.1) |
| 25 | 11 | 2.864 (72.7) | 5.457 (138.6) | 1.312 (33.3) | .344 (8.7) | .562 (14.3) |
| 26 | 13 | 2.864 (72.7) | 5.457 (138.6) | 1.312 (33.3) | .344 (8.7) | .562 (14.3) |
| 27 | 13 | 3.114 (79.1) | 5.682 (144.3) | 1.312 (33.3) | .375 (9.5) | .625 (15.9) |
| 28 | 15 | 3.114 (79.1) | 5.682 (144.3) | 1.312 (33.3) | .375 (9.5) | .625 (15.9) |

TABLE I: Shell Size and Dimensions

| Shell Size | A Thread Class 2B | C Dia Max |
|------------|-------------------|--------------|
| 11 | .750 - 20 UNEF | 1.028 (26.1) |
| 13 | .875 - 20 UNEF | 1.141 (29.0) |
| 15 | 1.000 - 20 UNEF | 1.263 (32.1) |
| 17 | 1.125 - 18 UNEF | 1.387 (35.2) |
| 19 | 1.250 - 18 UNEF | 1.513 (38.4) |
| 23 | 1.438 - 18 UNEF | 1.703 (43.3) |
| 25 | 1.562 - 18 UNEF | 1.825 (46.4) |
| 29 | 1.875 - 16 UN | 2.143 (54.4) |
| 33 | 2.062 - 16 UNS | 2.329 (59.2) |

APPLICATION NOTES

- For complete dimensions see the applicable Military Specification.
- Metric dimensions (mm) are in parentheses.
- Cable Range is defined as the accommodation range for the wire bundle or cable. Dimensions shown are not intended for inspection criteria.

Dimensions in inches (millimeters) and are subject to change without notice.

MIL-DTL-28840/8 Style B 90° Environmental Backshell



MIL-DTL-28840

CONNECTOR DESIGNATOR:

G MIL-DTL-28840

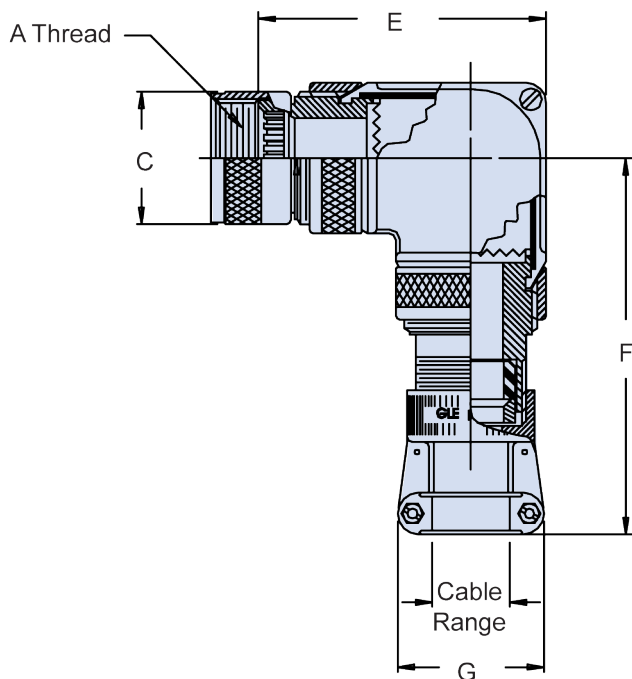
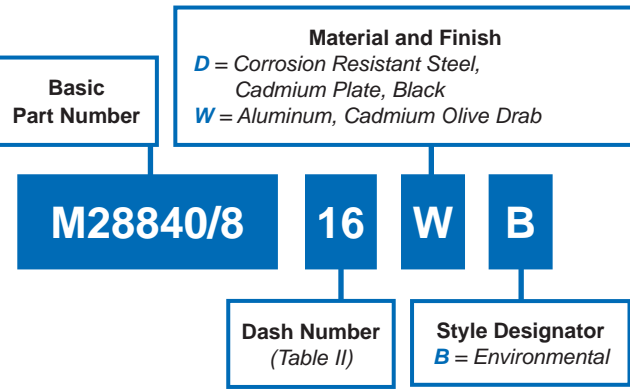


TABLE I: Shell Size

| Shell Size | A Thread Class 2B | C Dia Max |
|------------|-------------------|--------------|
| 11 | .750 - 20 UNEF | 1.030 (26.2) |
| 13 | .875 - 20 UNEF | 1.140 (29.0) |
| 15 | 1.000 - 20 UNEF | 1.260 (32.0) |
| 17 | 1.125 - 18 UNEF | 1.390 (35.3) |
| 19 | 1.250 - 18 UNEF | 1.510 (38.4) |
| 23 | 1.438 - 18 UNEF | 1.700 (43.2) |
| 25 | 1.563 - 18 UNEF | 1.820 (46.2) |
| 29 | 1.875 - 16 UN | 2.140 (54.4) |
| 33 | 2.063 - 16 UNS | 2.330 (59.2) |

TABLE II: Dash Number and Dimensions

| Dash No. | Shell Size Ref. | E Max Envelope | F Max | G Ref. Dim | Cable Range | |
|----------|-----------------|----------------|---------------|--------------|--------------|--------------|
| | | | | | Min | Max |
| 01 | 11 | 2.614 (66.4) | 2.962 (75.2) | .938 (23.8) | .188 (4.8) | .312 (7.9) |
| 02 | 13 | 2.614 (66.4) | 2.962 (75.2) | .938 (23.8) | .188 (4.8) | .312 (7.9) |
| 03 | 13 | 2.614 (66.4) | 2.962 (75.2) | 1.125 (28.6) | .281 (7.1) | .438 (11.1) |
| 04 | 15 | 2.864 (72.7) | 3.087 (78.4) | .938 (23.8) | .188 (4.8) | .312 (7.9) |
| 05 | 15 | 2.864 (72.7) | 3.087 (78.4) | 1.125 (28.6) | .281 (7.1) | .438 (11.1) |
| 06 | 15 | 2.864 (72.7) | 3.087 (78.4) | 1.312 (33.3) | .344 (8.7) | .562 (14.3) |
| 07 | 15 | 3.114 (79.1) | 3.312 (84.1) | 1.593 (40.5) | .438 (11.1) | .750 (19.1) |
| 08 | 17 | 3.114 (79.1) | 3.312 (84.1) | 1.312 (33.3) | .375 (9.5) | .625 (15.9) |
| 09 | 17 | 3.114 (79.1) | 3.343 (84.9) | 1.593 (40.5) | .438 (11.1) | .750 (19.1) |
| 10 | 17 | 3.114 (79.1) | 3.437 (87.3) | 1.750 (44.5) | .625 (15.9) | .938 (23.8) |
| 11 | 19 | 3.114 (79.1) | 3.312 (84.1) | 1.312 (33.3) | .375 (9.5) | .625 (15.9) |
| 12 | 19 | 3.364 (85.4) | 3.462 (87.9) | 1.750 (44.5) | .625 (15.9) | .938 (23.8) |
| 13 | 23 | 3.364 (85.4) | 3.368 (85.5) | 1.593 (40.5) | .438 (11.1) | .750 (19.1) |
| 14 | 23 | 3.364 (85.4) | 3.462 (87.9) | 1.750 (44.5) | .625 (15.9) | .938 (23.8) |
| 15 | 23 | 3.364 (85.4) | 3.649 (92.7) | 2.093 (53.2) | .812 (20.6) | 1.188 (30.2) |
| 16 | 25 | 3.364 (85.4) | 3.462 (87.9) | 1.750 (44.5) | .625 (15.9) | .938 (23.8) |
| 17 | 25 | 3.364 (85.4) | 3.649 (92.7) | 2.093 (53.2) | .812 (20.6) | 1.188 (30.2) |
| 18 | 25 | 3.614 (91.8) | 3.774 (95.9) | 2.093 (53.2) | .875 (22.2) | 1.250 (31.8) |
| 19 | 25 | 3.614 (91.8) | 3.806 (96.7) | 2.343 (59.5) | 1.000 (25.4) | 1.380 (35.1) |
| 20 | 29 | 3.614 (91.8) | 3.774 (95.9) | 2.093 (53.2) | .812 (20.6) | 1.188 (30.2) |
| 21 | 29 | 3.614 (91.8) | 3.806 (96.7) | 2.343 (59.5) | 1.000 (25.4) | 1.380 (35.1) |
| 22 | 33 | 4.114 (104.5) | 4.056 (103.0) | 2.343 (59.5) | 1.000 (25.4) | 1.380 (35.1) |
| 23 | 33 | 4.114 (104.5) | 4.331 (110.0) | 2.750 (69.9) | 1.250 (31.8) | 1.625 (41.3) |
| 24 | 11 | 2.614 (66.4) | 2.962 (75.2) | 1.125 (28.6) | .281 (7.1) | .438 (11.1) |
| 25 | 11 | 2.864 (72.7) | 3.087 (78.4) | 1.312 (33.3) | .344 (8.7) | .562 (14.3) |
| 26 | 13 | 2.864 (72.7) | 3.087 (78.4) | 1.312 (33.3) | .344 (8.7) | .562 (14.3) |
| 27 | 13 | 3.114 (79.1) | 3.312 (84.1) | 1.312 (33.3) | .375 (9.5) | .625 (15.9) |
| 28 | 15 | 3.114 (79.1) | 3.312 (84.1) | 1.312 (33.3) | .375 (9.5) | .625 (15.9) |

APPLICATION NOTES

- For complete dimensions see the applicable Military Specification.
- Metric dimensions (mm) are in parentheses.
- Cable Range is defined as the accommodation range for the wire bundle or cable. Dimensions shown are not intended for inspection criteria.

Dimensions in inches (millimeters) and are subject to change without notice.

© 2013 Glenair, Inc.

U.S. CAGE Code 06324

Printed in U.S.A.



MIL-DTL-28840/9 Style A 45° EMI/RFI Environmental Backshell

CONNECTOR DESIGNATOR:

G MIL-DTL-28840

Material and Finish

D = Corrosion Resistant Steel, Cadmium Plate, Black
W = Aluminum, Cadmium Olive Drab

M28840/9

16

W

A

Basic
Part
Number

Dash No.
(Table II)

Style
A = EMI/Environmental

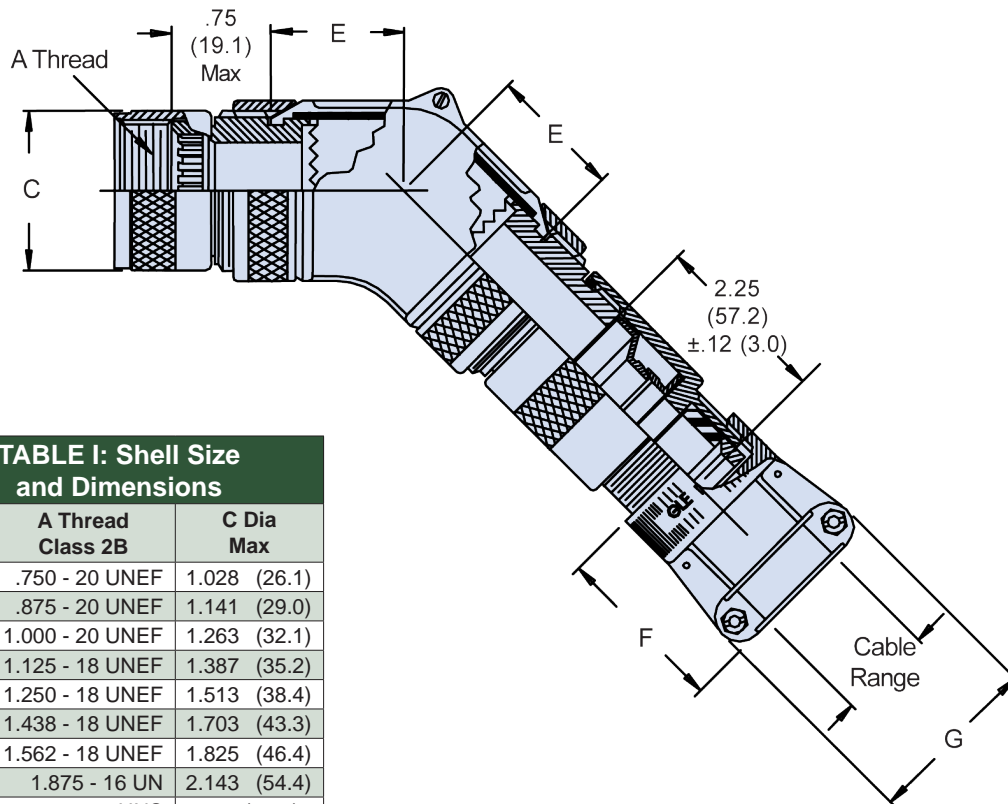


TABLE I: Shell Size and Dimensions

| Shell Size | A Thread Class 2B | C Dia Max |
|------------|-------------------|--------------|
| 11 | .750 - 20 UNEF | 1.028 (26.1) |
| 13 | .875 - 20 UNEF | 1.141 (29.0) |
| 15 | 1.000 - 20 UNEF | 1.263 (32.1) |
| 17 | 1.125 - 18 UNEF | 1.387 (35.2) |
| 19 | 1.250 - 18 UNEF | 1.513 (38.4) |
| 23 | 1.438 - 18 UNEF | 1.703 (43.3) |
| 25 | 1.562 - 18 UNEF | 1.825 (46.4) |
| 29 | 1.875 - 16 UN | 2.143 (54.4) |
| 33 | 2.062 - 16 UNS | 2.329 (59.2) |

APPLICATION NOTES

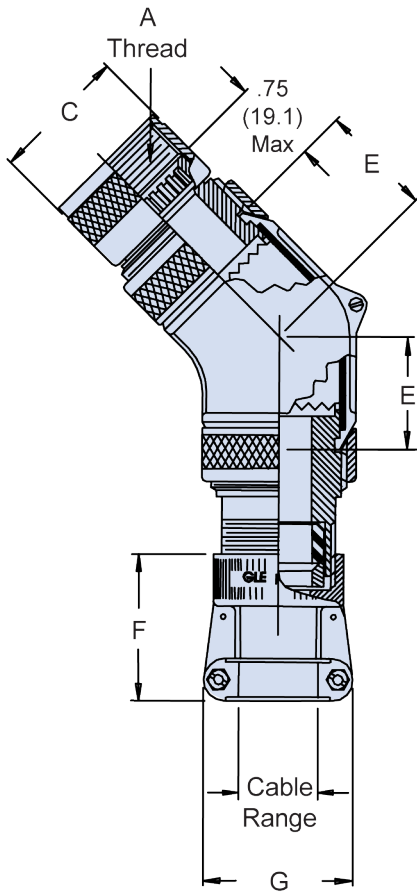
- For complete dimensions see the applicable Military Specification.
- Metric dimensions (mm) are in parentheses.
- Cable Range is defined as the accommodation range for the wire bundle or cable. Dimensions shown are not intended for inspection criteria.

Dimensions in inches (millimeters) and are subject to change without notice.

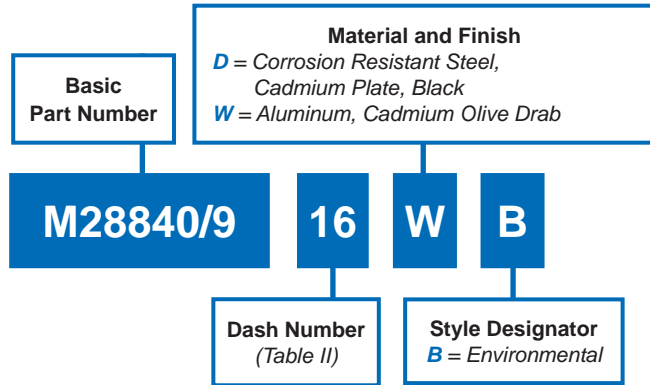
MIL-DTL-28840/9 45° Environmental Backshell Style B



MIL-DTL-28840



| CONNECTOR DESIGNATOR: | |
|-----------------------|---------------|
| G | MIL-DTL-28840 |



| Shell Size | A Thread Class 2B | C Dia Max |
|------------|-------------------|--------------|
| 11 | .750 - 20 UNEF | 1.030 (26.2) |
| 13 | .875 - 20 UNEF | 1.140 (29.0) |
| 15 | 1.000 - 20 UNEF | 1.260 (32.0) |
| 17 | 1.125 - 18 UNEF | 1.390 (35.3) |
| 19 | 1.250 - 18 UNEF | 1.510 (38.4) |
| 23 | 1.438 - 18 UNEF | 1.700 (43.2) |
| 25 | 1.563 - 18 UNEF | 1.820 (46.2) |
| 29 | 1.875 - 16 UN | 2.140 (54.4) |
| 33 | 2.063 - 16 UNS | 2.330 (59.2) |

| Dash No. | Shell Size Ref. | E Max | F Ref. Dim | G Ref. Dim | Cable Range | |
|----------|-----------------|--------------|--------------|--------------|--------------|--------------|
| | | | | | Min | Max |
| 01 | 11 | 1.031 (26.2) | 1.281 (32.5) | .938 (23.8) | .188 (4.8) | .312 (7.9) |
| 02 | 13 | 1.031 (26.2) | 1.281 (32.5) | .938 (23.8) | .188 (4.8) | .312 (7.9) |
| 03 | 13 | 1.031 (26.2) | 1.281 (32.5) | 1.125 (28.6) | .281 (7.1) | .438 (11.1) |
| 04 | 15 | 1.156 (29.4) | 1.281 (32.5) | .938 (23.8) | .188 (4.8) | .312 (7.9) |
| 05 | 15 | 1.156 (29.4) | 1.281 (32.5) | 1.125 (28.6) | .281 (7.1) | .438 (11.1) |
| 06 | 15 | 1.156 (29.4) | 1.281 (32.5) | 1.312 (33.3) | .344 (8.7) | .562 (14.3) |
| 07 | 15 | 1.281 (32.5) | 1.312 (33.3) | 1.593 (40.5) | .438 (11.1) | .750 (19.1) |
| 08 | 17 | 1.281 (32.5) | 1.281 (32.5) | 1.312 (33.3) | .375 (9.5) | .625 (15.9) |
| 09 | 17 | 1.281 (32.5) | 1.312 (33.3) | 1.593 (40.5) | .438 (11.1) | .750 (19.1) |
| 10 | 17 | 1.281 (32.5) | 1.406 (35.7) | 1.750 (44.5) | .625 (15.9) | .938 (23.8) |
| 11 | 19 | 1.281 (32.5) | 1.281 (32.5) | 1.312 (33.3) | .375 (9.5) | .625 (15.9) |
| 12 | 19 | 1.406 (35.7) | 1.406 (35.7) | 1.750 (44.5) | .625 (15.9) | .938 (23.8) |
| 13 | 23 | 1.406 (35.7) | 1.312 (33.3) | 1.593 (40.5) | .438 (11.1) | .750 (19.1) |
| 14 | 23 | 1.406 (35.7) | 1.406 (35.7) | 1.750 (44.5) | .625 (15.9) | .938 (23.8) |
| 15 | 23 | 1.406 (35.7) | 1.593 (40.5) | 2.093 (53.2) | .812 (20.6) | 1.188 (30.2) |
| 16 | 25 | 1.406 (35.7) | 1.406 (35.7) | 1.750 (44.5) | .625 (15.9) | .938 (23.8) |
| 17 | 25 | 1.406 (35.7) | 1.593 (40.5) | 2.093 (53.2) | .812 (20.6) | 1.188 (30.2) |
| 18 | 25 | 1.531 (38.9) | 1.593 (40.5) | 2.093 (53.2) | .875 (22.2) | 1.250 (31.8) |
| 19 | 25 | 1.531 (38.9) | 1.625 (41.3) | 2.343 (59.5) | 1.000 (25.4) | 1.380 (35.1) |
| 20 | 29 | 1.531 (38.9) | 1.593 (40.5) | 2.093 (53.2) | .812 (20.6) | 1.188 (30.2) |
| 21 | 29 | 1.531 (38.9) | 1.625 (41.3) | 2.343 (59.5) | 1.000 (25.4) | 1.380 (35.1) |
| 22 | 33 | 1.781 (45.2) | 1.625 (41.3) | 2.343 (59.5) | 1.000 (25.4) | 1.380 (35.1) |
| 23 | 33 | 1.781 (45.2) | 1.900 (48.3) | 2.750 (69.9) | 1.250 (31.8) | 1.625 (41.3) |
| 24 | 11 | 1.031 (26.2) | 1.281 (32.5) | 1.125 (28.6) | .281 (7.1) | .438 (11.1) |
| 25 | 11 | 1.156 (29.4) | 1.281 (32.5) | 1.312 (33.3) | .344 (8.7) | .562 (14.3) |
| 26 | 13 | 1.156 (29.4) | 1.281 (32.5) | 1.312 (33.3) | .344 (8.7) | .562 (14.3) |
| 27 | 13 | 1.281 (32.5) | 1.281 (32.5) | 1.312 (33.3) | .375 (9.5) | .625 (15.9) |
| 28 | 15 | 1.281 (32.5) | 1.281 (32.5) | 1.312 (33.3) | .375 (9.5) | .625 (15.9) |

APPLICATION NOTES

- For complete dimensions see the applicable Military Specification.
- Metric dimensions (mm) are in parentheses.
- Cable Range is defined as the accommodation range for the wire bundle or cable. Dimensions shown are not intended for inspection criteria.

Dimensions in inches (millimeters) and are subject to change without notice.

D

M28840/13 and M28840/15 Protective Plug and Receptacle Covers

MATING CONNECTOR

MIL-DTL-28840

Basic Part Number

M28840/13 = Receptacle Cover
M28840/15 = Plug Cover

Shell Size Designator

M28840/13

H

A

W

Material and Finish

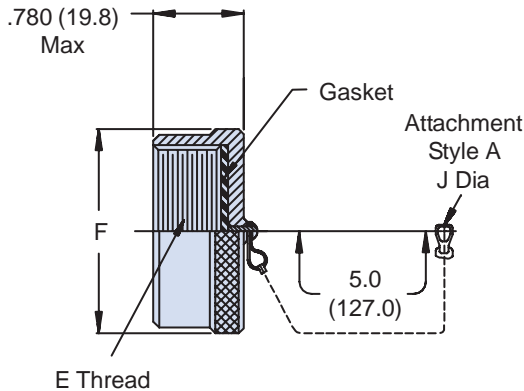
D = Corrosion Resistant Steel, Cadmium Plate, Black
W = Aluminum, 500 Hour, Cadmium O.D.

APPLICATION NOTES

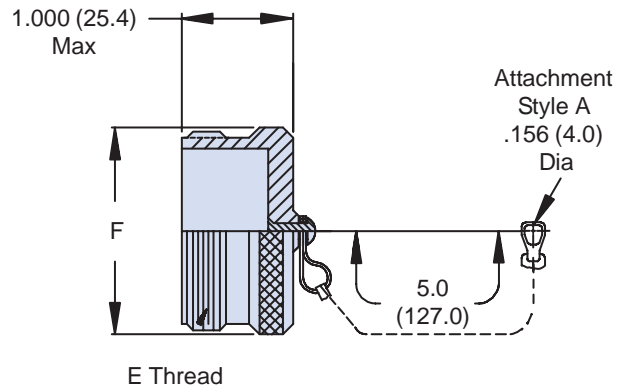
1. Assembly identified with manufacturer's name and part number, space permitting.
2. For complete dimensions, see the applicable Military Specification.
3. Metric dimensions (mm) are in parentheses.

Attachment Style

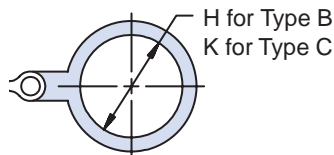
A = Chain with Fastener
B = Chain with Ring for Jam Nut Receptacle (M28840/13 Only)
B = Chain with Ring (M28840/15 Only)
C = Chain with Ring for Cable Receptacle (M28840/13 Only)



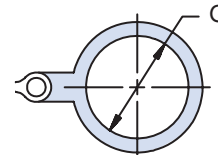
M28840/13 Receptacle Cover



M28840/15 Plug Cover



M28840/13 Attachment Types B & C



M28840/15 Attachment Type B

TABLE I: Shell Size Designator, Thread and Dimensions

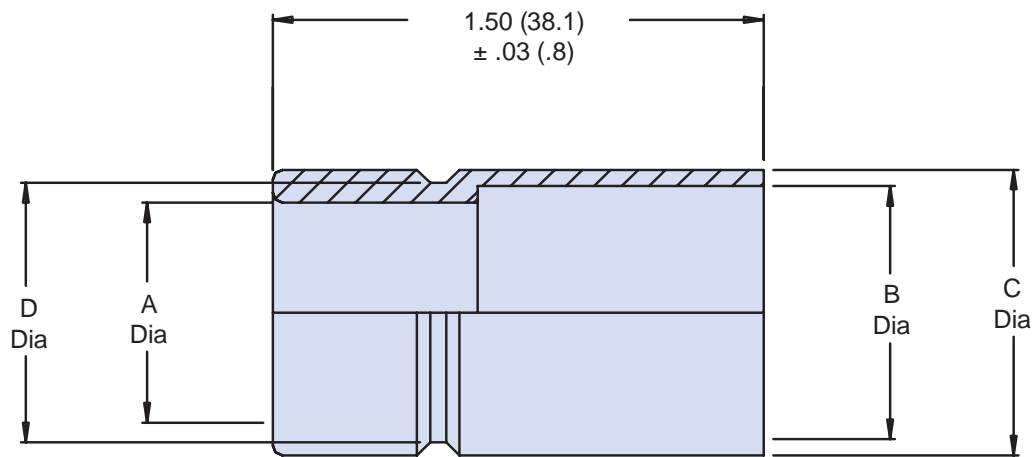
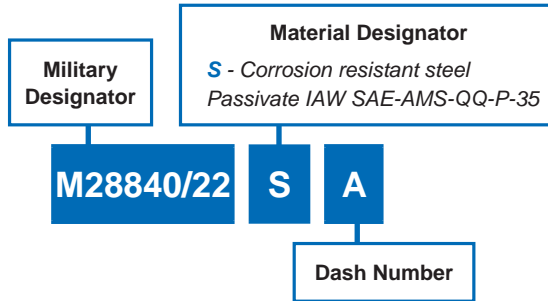
| Shell Size Desig. | Shell Size Ref. | E Thread | F Max | G Dia ± .010 (0.3) | H Dia ± .010 (0.3) | J Dia ± .005 (0.1) | K Dia ± .010 (0.3) |
|-------------------|-----------------|--------------------|--------------|-----------------------|-----------------------|-----------------------|-----------------------|
| A | 11 | 0.750-0.1P-0.2L-DS | 1.028 (26.1) | .765 (19.4) | .890 (22.6) | .130 (3.3) | .765 (19.4) |
| B | 13 | 0.875-0.1P-0.2L-DS | 1.141 (29.0) | .890 (22.6) | 1.015 (25.8) | .130 (3.3) | .890 (22.6) |
| C | 15 | 1.062-0.1P-0.2L-DS | 1.263 (32.1) | 1.015 (25.8) | 1.203 (30.6) | .130 (3.3) | 1.015 (25.8) |
| D | 17 | 1.125-0.1P-0.2L-DS | 1.387 (35.2) | 1.140 (29.0) | 1.265 (32.1) | .130 (3.3) | 1.140 (29.0) |
| E | 19 | 1.312-0.1P-0.2L-DS | 1.513 (38.4) | 1.265 (32.1) | 1.453 (36.9) | .130 (3.3) | 1.265 (32.1) |
| F | 23 | 1.500-0.1P-0.2L-DS | 1.703 (43.3) | 1.453 (36.9) | 1.640 (41.7) | .130 (3.3) | 1.453 (36.9) |
| G | 25 | 1.625-0.1P-0.2L-DS | 1.825 (46.4) | 1.577 (40.1) | 1.765 (44.8) | .156 (4.0) | 1.577 (40.1) |
| H | 29 | 1.812-0.1P-0.2L-DS | 2.143 (54.4) | 1.890 (48.0) | 1.953 (49.6) | .156 (4.0) | 1.890 (48.0) |
| J | 33 | 2.000-0.1P-0.2L-DS | 2.329 (59.2) | 2.077 (52.8) | 2.140 (54.4) | .193 (4.9) | 2.077 (52.8) |

Dimensions in inches (millimeters) and are subject to change without notice.

M28840/22 Metal Core Conduit Bushing



MIL-DTL-28840



D

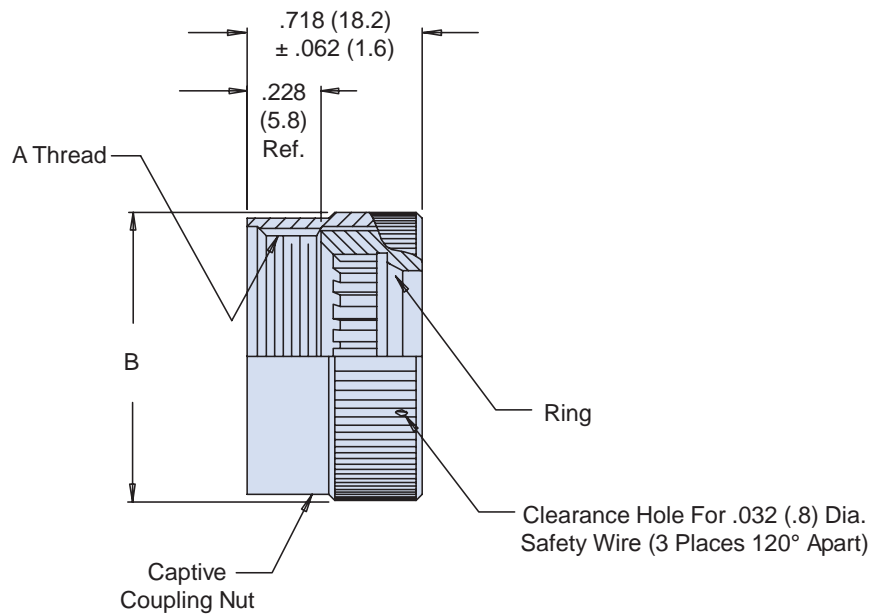
| Size | MIL- DTL-28840/04 Size Ref. | A +.020 (.50) -.000 (.000) | B +.005 (.12) -.000 (.000) | C +.000 (.000) -.005 (.12) | D +.000 (.000) -.005 (.12) |
|------|-----------------------------------|----------------------------------|----------------------------------|----------------------------------|----------------------------------|
| 03 | 03 | .375 (9.53) | .540 (13.71) | .625 (15.87) | .525 (13.34) |
| 04 | 04 | .500 (12.70) | .665 (16.89) | .750 (19.05) | .650 (16.51) |
| 05 | 05 | .625 (15.87) | .780 (19.81) | .875 (22.23) | .775 (19.69) |
| 06 | 06 | .750 (19.05) | .940 (23.88) | 1.000 (25.40) | .900 (22.86) |
| 08 | 08 | 1.000 (25.40) | 1.225 (31.12) | 1.375 (34.93) | 1.275 (32.39) |
| 10 | 10 | 1.250 (31.75) | 1.470 (37.34) | 1.625 (41.28) | 1.525 (38.74) |
| 12 | 12 | 1.500 (38.10) | 1.740 (44.20) | 1.875 (47.65) | 1.775 (45.09) |
| 16 | 16 | 2.000 (50.80) | 2.215 (56.26) | 2.375 (60.33) | 2.275 (57.79) |

Dimensions in inches (millimeters) and are subject to change without notice.



MIL-DTL-28840/23 Non-Self-Locking E-Nut

CONNECTOR DESIGNATOR:
G MIL-DTL-28840

**Basic Part
Number**
**Shell
Size**
M28840/23
- J
W
Material and Finish
*D = Corrosion Resistant Steel,
Cadmium Plate, Black*
W = Aluminum, Cadmium Olive Drab

**TABLE I: Shell Size, Shell Size Ref,
Thread and Dimensions**

| Shell Size | Shell Size Ref. | A Thread Class 2B | Ø B Max |
|------------|-----------------|-------------------|--------------|
| A | 11 | .750 - 20 UNEF | 1.028 (26.1) |
| B | 13 | .875 - 20 UNEF | 1.141 (29.0) |
| C | 15 | 1.000 - 20 UNEF | 1.263 (32.1) |
| D | 17 | 1.125 - 18 UNEF | 1.387 (35.2) |
| E | 19 | 1.250 - 18 UNEF | 1.513 (38.4) |
| F | 23 | 1.438 - 18 UNEF | 1.703 (43.3) |
| G | 25 | 1.562 - 18 UNEF | 1.825 (46.4) |
| H | 29 | 1.875 - 16 UN | 2.143 (54.4) |
| J | 33 | 2.062 - 16 UNS | 2.329 (59.2) |

APPLICATION NOTES

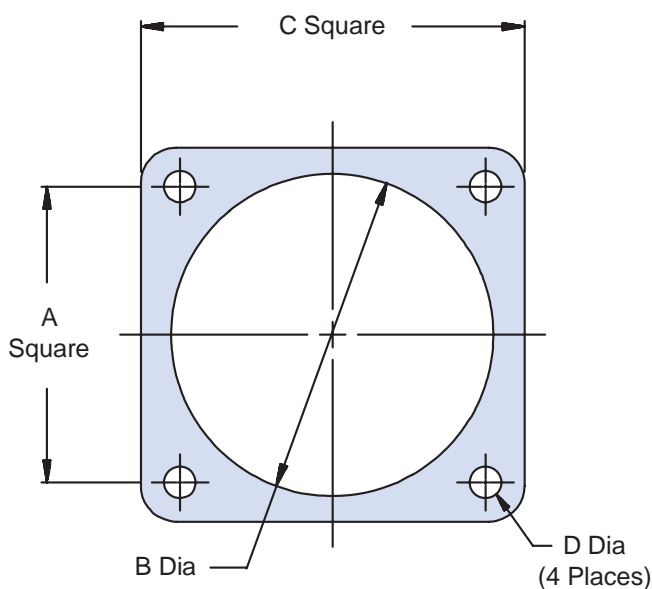
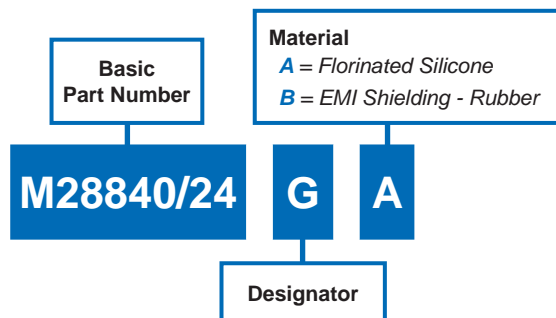
1. Assembly to be identified with manufacturer's name and part number, space permitting.
2. For complete dimensions, see the applicable Military Specification.
3. Cable entry is defined as the accommodation range for the wire bundle or cable. Dimensions shown are not intended for inspection criteria.
4. Metric dimensions (mm) are in parentheses.

Dimensions in inches (millimeters) and are subject to change without notice.

M28840/24 Gasket



MIL-DTL-28840



D

TABLE I: Reference for Connector Shell Size

| Designator | Shell Size | A Sq. | | Ø B | | C Sq. | | Ø D | |
|------------|------------|-------|--------|-------|--------|-------|--------|-------|-------|
| | | ±.010 | (.3) | ±.008 | (.2) | ±.008 | (.2) | ±.010 | (.3) |
| A | 11 | .750 | (19.1) | .758 | (19.3) | 1.031 | (26.2) | .120 | (3.0) |
| B | 13 | .843 | (21.4) | .883 | (22.4) | 1.146 | (29.1) | .120 | (3.0) |
| C | 15 | .968 | (24.6) | 1.070 | (27.2) | 1.266 | (32.2) | .120 | (3.0) |
| D | 17 | 1.015 | (25.8) | 1.133 | (28.8) | 1.391 | (35.3) | .120 | (3.0) |
| E | 19 | 1.140 | (29.0) | 1.320 | (33.5) | 1.516 | (38.5) | .120 | (3.0) |
| F | 23 | 1.281 | (32.5) | 1.508 | (38.3) | 1.726 | (43.8) | .120 | (3.0) |
| G | 25 | 1.392 | (35.4) | 1.633 | (41.5) | 1.826 | (46.4) | .147 | (3.7) |
| H | 29 | 1.568 | (39.8) | 1.883 | (47.8) | 2.146 | (54.5) | .147 | (3.7) |
| J | 33 | 1.734 | (44.0) | 2.070 | (52.6) | 2.336 | (59.3) | .173 | (4.4) |

- APPLICATION NOTES**
1. Assembly identified with manufacturer's name and part number, space permitting.
 2. For complete dimensions, see the applicable Military Specification.
 3. Metric dimensions (mm) are in parentheses.

Dimensions in inches (millimeters) and are subject to change without notice.

WHY GLENAIR?

ANOTHER GOOD REASON

**TO SOURCE YOUR BACKSHELLS
FROM GLENAIR**



Every Connector Accessory There Is!

“NO GAPS”

Glenair supplies every active MS backshell and connector accessory—no gaps—most with same-day availability



MIL-DTL-83723

Qualified Backshells and Connector Accessories



MIL-DTL-83723

| Industry Specification Number | Part Identification Number | Military Part Number Superseded | Glenair Commercial Part Number | Description | Glenair Connector Designator/Interface | Page No. |
|--------------------------------------|---|---------------------------------|--------------------------------|--|--|-------------------|
| MIL-DTL-83723/27 | M83723/27M | --- | 310KS002 | Straight Shrink Boot Adapter | "K" MIL-DTL-83723 Series II | E-2 |
| MIL-DTL-83723/35 | M83723/35S M83723/35A M83723/35N | --- | Consult Factory | Strt. Non-Environmental Strain Relief Backshell 90° Non-Environmental Strain Relief Backshell Non-Self-Locking E-Nut | "K" MIL-DTL-83723 Series II | E-3 E-4 E-5 |
| MIL-DTL-83723/50 | M83723/50 R M83723/50 B M83723/50 A | --- | Consult Factory | Straight Qwik-Ty® Strain Relief 45° Qwik-Ty® Strain Relief 90° Qwik-Ty® Strain Relief | "K" MIL-DTL-83723 Series II | E-6 |
| MIL-DTL-83723/59 MIL-DTL-83723/60 | M83723/59-1 M83723/60-1 | MS27292 MS27293 | 660-021 660-022 | Protective Plug Cover, Threaded Coupling Protective Receptacle Cover, Threaded Coupling | MIL-DTL-83723, Series III | E-7 |
| MIL-DTL-83723/59 MIL-DTL-83723/60 | M83723/59-2 M83723/60-2 | MS27294 MS27295 | 660-019 660-020 | Protective Plug Cover Bayonet Coupling Protective Receptacle Cover Bayonet Coupling | MIL-DTL-83723, Series III | E-8 |
| MIL-DTL-83723/70 | M83723/70 | --- | Consult Factory | Straight Quick Disconnect Receptacle Adapter | --- | E-9 |

E

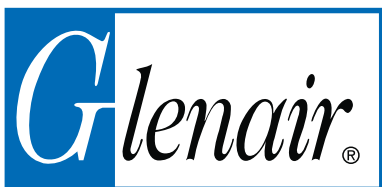
Dimensions in inches (millimeters) and are subject to change without notice.

© 2013 Glenair, Inc.

U.S. CAGE Code 06324

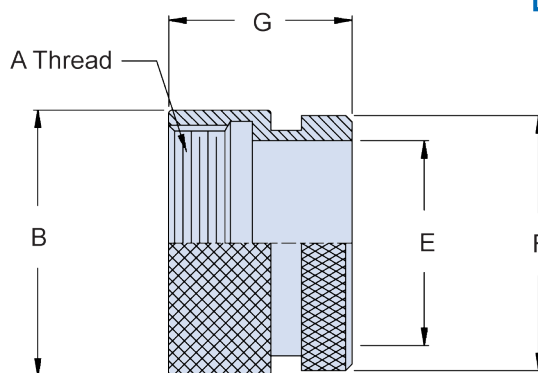
Printed in U.S.A.

GLENAIR, INC. • 1211 AIR WAY • GLENDALE, CA 91201-2497 • 818-247-6000 • FAX 818-500-9912
www.glenair.com E-1 E-Mail: sales@glenair.com



M83723/27M Straight Shrink Boot Adapter

CONNECTOR DESIGNATOR:
K MIL-DTL-83723 Series II

**Basic
Part Number**
**Shell
Size**
M83723/27M
22
M
**Backshell
Only**

TABLE I: Adapter Size, Shell Size, Thread and Dimensions

| Adapter Size | Shell Size Ref. | A Thread Class 2B | B Dia Max | E Dia | F Dia Min | G Max |
|--------------|-----------------|-------------------|--------------|--------------|--------------|--------------|
| 08 | 8S | .438 - 28 UNEF | .580 (14.7) | .250 (6.4) | .479 (12.2) | .830 (21.1) |
| 10 | 10S | .500 - 28 UNEF | .640 (16.3) | .303 (7.7) | .539 (13.7) | .830 (21.1) |
| 11 | 10SL | .562 - 24 UNEF | .700 (17.8) | .383 (9.7) | .608 (15.4) | .830 (21.1) |
| 12 | 12 | .625 - 24 UNEF | .760 (19.3) | .408 (10.4) | .659 (16.7) | .830 (21.1) |
| 13 | 12S | .625 - 24 UNEF | .760 (19.3) | .408 (10.4) | .659 (16.7) | .830 (21.1) |
| 14 | 14 | .750 - 20 UNEF | .890 (22.6) | .490 (12.4) | .782 (19.9) | .830 (21.1) |
| 16 | 14S | .750 - 20 UNEF | .890 (22.6) | .490 (12.4) | .782 (19.9) | .830 (21.1) |
| 16 | 16 | .875 - 20 UNEF | 1.010 (25.7) | .609 (15.5) | .908 (23.1) | .996 (25.3) |
| 17 | 16S | .875 - 20 UNEF | 1.010 (25.7) | .609 (15.5) | .908 (23.1) | .830 (21.1) |
| 18 | 18 | 1.000 - 20 UNEF | 1.140 (29.0) | .730 (18.5) | 1.025 (26.0) | .996 (25.3) |
| 20 | 20 | 1.125 - 18 UNEF | 1.260 (32.0) | .870 (22.1) | 1.212 (30.8) | .996 (25.3) |
| 22 | 22 | 1.250 - 18 UNEF | 1.390 (35.3) | .978 (24.8) | 1.343 (34.1) | .996 (25.3) |
| 24 | 24 | 1.375 - 18 UNEF | 1.520 (38.6) | 1.090 (27.7) | 1.450 (36.8) | .996 (25.3) |
| 28 | 28 | 1.625 - 18 UNEF | 1.760 (44.7) | 1.250 (31.8) | 1.671 (42.4) | 1.076 (27.3) |
| 32 | 32 | 1.875 - 16 UN | 2.010 (51.1) | 1.520 (38.6) | 1.956 (49.7) | 1.076 (27.3) |
| 36 | 36 | 2.125 - 16 UN | 2.260 (57.4) | 1.756 (44.6) | 2.164 (55.0) | 1.076 (27.3) |
| 40 | 40 | 2.375 - 16 UN | 2.510 (63.8) | 1.880 (47.8) | 2.500 (63.5) | 1.222 (31.0) |

APPLICATION NOTES

- For complete dimensions see the applicable Military Specification.
- Finish: Electroless Nickel.
- Metric dimensions (mm) are in parentheses.

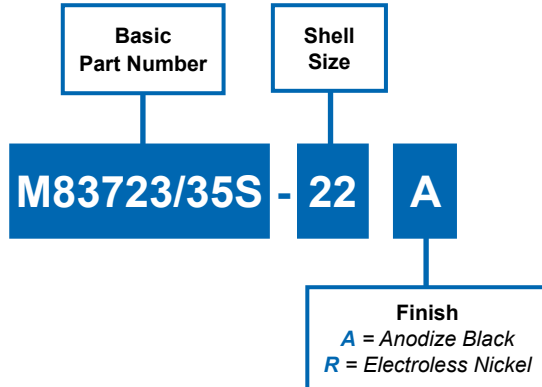
Dimensions in inches (millimeters) and are subject to change without notice.

M83723/35S Straight Non-Environmental Strain Relief Backshell



MIL-DTL-83723

| | |
|------------------------------|-------------------------|
| CONNECTOR DESIGNATOR: | |
| K | MIL-DTL-83723 Series II |



- APPLICATION NOTES**
- For complete dimensions see the applicable Military Specification.
 - Metric dimensions (mm) are in parentheses.
 - Cable Range is defined as the accommodation range for the wire bundle or cable. Dimensions shown are not intended for inspection criteria.

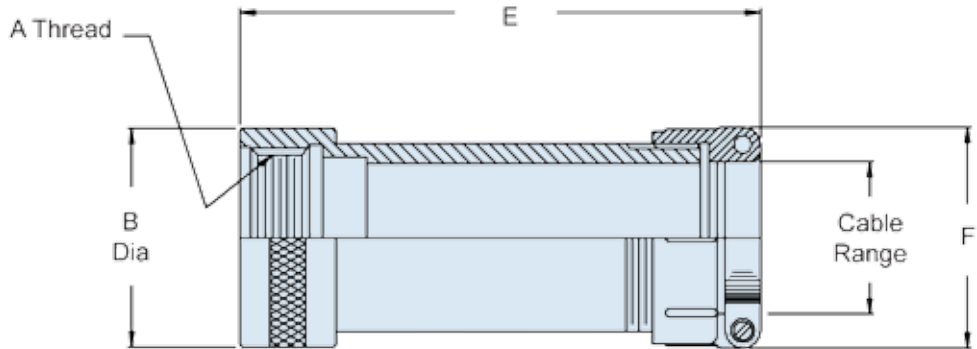


TABLE I: Shell Size, Cable Range and Dimensions

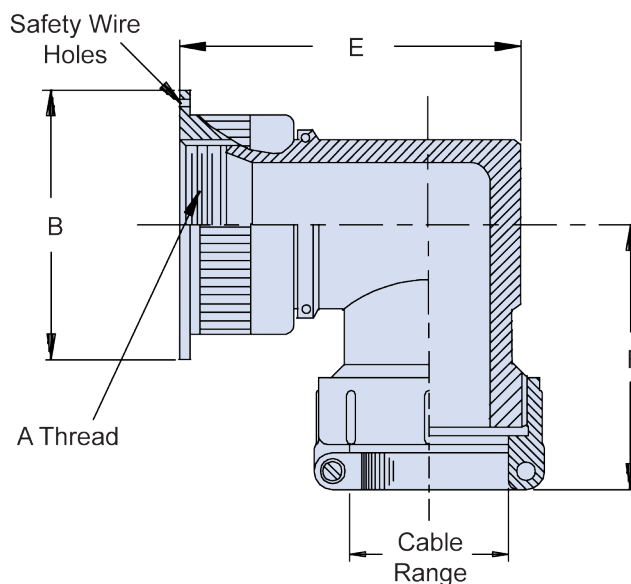
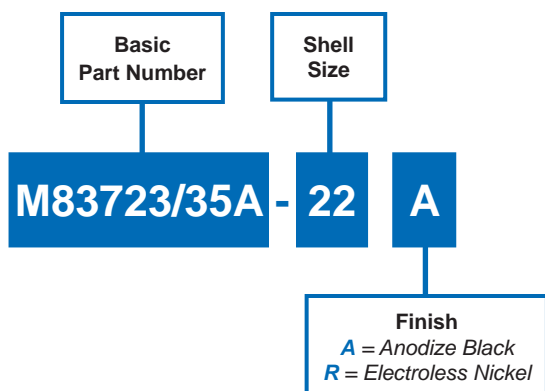
| Shell Size | Shell Size (s) (Ref) | A Thread Class 2B | B Dia Max | E Max | F Max | Cable Range | |
|------------|----------------------|-------------------|--------------|--------------|--------------|-------------|--------------|
| | | | | | | Min | Max |
| 08 | 8S | .438 - 28 UNEF | .585 (14.9) | 1.290 (32.8) | .843 (21.4) | .125 (3.2) | .235 (6.0) |
| 10 | 10S | .500 - 28 UNEF | .645 (16.4) | 1.290 (32.8) | .843 (21.4) | .125 (3.2) | .235 (6.0) |
| 11 | 10SL | .562 - 24 UNEF | .730 (18.5) | 1.290 (32.8) | .906 (23.0) | .170 (4.3) | .297 (7.5) |
| 13 | 12 & 12S | .625 - 24 UNEF | .770 (19.6) | 1.290 (32.8) | 1.085 (27.6) | .170 (4.3) | .297 (7.5) |
| 15 | 14 & 14S | .750 - 20 UNEF | .910 (23.1) | 1.368 (34.7) | 1.093 (27.8) | .235 (6.0) | .422 (10.7) |
| 16 | 16 | .875 - 20 UNEF | 1.035 (26.3) | 1.587 (40.3) | 1.275 (32.4) | .295 (7.5) | .547 (13.9) |
| 17 | 16S | .875 - 20 UNEF | 1.035 (26.3) | 1.430 (36.3) | 1.187 (30.1) | .295 (7.5) | .547 (13.9) |
| 18 | 18 | 1.000 - 20 UNEF | 1.170 (29.7) | 1.695 (43.1) | 1.475 (37.5) | .325 (8.3) | .610 (15.5) |
| 20 | 20 | 1.125 - 18 UNEF | 1.300 (33.0) | 1.695 (43.1) | 1.500 (38.1) | .380 (9.7) | .735 (18.7) |
| 22 | 22 | 1.250 - 18 UNEF | 1.420 (36.1) | 1.695 (43.1) | 1.710 (43.4) | .380 (9.7) | .735 (18.7) |
| 24 | 24 | 1.375 - 18 UNEF | 1.535 (39.0) | 1.931 (49.0) | 1.719 (43.7) | .500 (12.7) | .922 (23.4) |
| 28 | 28 | 1.625 - 18 UNEF | 1.800 (45.7) | 1.931 (49.0) | 2.040 (51.8) | .500 (12.7) | .922 (23.4) |
| 32 | 32 | 1.875 - 16 UNEF | 2.035 (51.6) | 1.869 (47.5) | 2.332 (59.2) | .705 (17.9) | 1.235 (31.4) |
| 36 | 36 | 2.125 - 16 UN | 2.270 (57.7) | 1.869 (47.5) | 2.312 (58.7) | .725 (18.4) | 1.360 (34.5) |
| 40 | 40 | 2.375 - 16 UN | 2.780 (70.6) | 2.875 (73.0) | 2.950 (74.9) | .911 (23.1) | 1.630 (41.4) |

Dimensions in inches (millimeters) and are subject to change without notice.



M83723/35A

90° Non-Environmental Strain Relief Backshell

CONNECTOR DESIGNATOR:
K MIL-DTL-83723 Series II

TABLE I: Shell Size, Cable Range and Dimensions

| Shell Size | A Thread Class 2B | B Dia Max | E Max | F Max | Cable Range | |
|------------|-------------------|--------------|---------------|---------------|-------------|--------------|
| | | | | | Min | Max |
| 08 | .438 - 28 UNEF | .805 (20.4) | 1.187 (30.1) | 1.220 (31.0) | .102 (2.6) | .235 (6.0) |
| 10 | .500 - 28 UNEF | .890 (22.6) | 1.187 (30.1) | 1.250 (31.8) | .102 (2.6) | .235 (6.0) |
| 11 | .562 - 24 UNEF | .975 (24.8) | 1.312 (33.3) | 1.280 (32.5) | .140 (3.6) | .297 (7.5) |
| 13 | .625 - 24 UNEF | 1.005 (25.5) | 1.312 (33.3) | 1.280 (32.5) | .140 (3.6) | .297 (7.5) |
| 12 | .625 - 24 UNEF | 1.005 (25.5) | 1.468 (37.3) | 1.280 (32.5) | .140 (3.6) | .297 (7.5) |
| 15 | .750 - 20 UNEF | 1.130 (28.7) | 1.437 (36.5) | 1.405 (35.7) | .195 (5.0) | .422 (10.7) |
| 14 | .750 - 20 UNEF | 1.130 (28.7) | 1.594 (40.5) | 1.405 (35.7) | .195 (5.0) | .422 (10.7) |
| 17 | .875 - 20 UNEF | 1.255 (31.9) | 1.531 (38.9) | 1.529 (38.8) | .255 (6.5) | .547 (13.9) |
| 16 | .875 - 20 UNEF | 1.255 (31.9) | 1.687 (42.8) | 1.529 (38.8) | .255 (6.5) | .547 (13.9) |
| 18 | 1.000 - 20 UNEF | 1.350 (34.3) | 1.765 (44.8) | 1.593 (40.5) | .285 (7.2) | .610 (15.5) |
| 20 | 1.125 - 18 UNEF | 1.475 (37.5) | 2.000 (50.8) | 1.655 (42.0) | .350 (8.9) | .735 (18.7) |
| 22 | 1.250 - 18 UNEF | 1.600 (40.6) | 2.000 (50.8) | 1.718 (43.6) | .350 (8.9) | .735 (18.7) |
| 24 | 1.375 - 18 UNEF | 1.725 (43.8) | 2.265 (57.5) | 1.894 (48.1) | .468 (11.9) | .922 (23.4) |
| 28 | 1.625 - 18 UNEF | 1.975 (50.2) | 2.265 (57.5) | 1.973 (50.1) | .468 (11.9) | .922 (23.4) |
| 32 | 1.875 - 16 UN | 2.225 (56.5) | 2.578 (65.5) | 2.187 (55.5) | .664 (16.9) | 1.235 (31.4) |
| 36 | 2.125 - 16 UN | 2.475 (62.9) | 2.815 (71.5) | 2.405 (61.1) | .694 (17.6) | 1.360 (34.5) |
| 40 | 2.375 - 16 UN | 2.750 (69.9) | 5.800 (147.3) | 5.100 (129.5) | .911 (23.1) | 1.630 (41.4) |

APPLICATION NOTES

- For complete dimensions see the applicable Military Specification.
- Metric dimensions (mm) are in parentheses.
- Cable Range is defined as the accommodation range for the wire bundle or cable. Dimensions shown are not intended for inspection criteria.

Dimensions in inches (millimeters) and are subject to change without notice.

M83723/35N Non-Self-Locking E-Nut



MIL-DTL-83723

| | |
|------------------------------|-------------------------|
| CONNECTOR DESIGNATOR: | |
| K | MIL-DTL-83723 Series II |

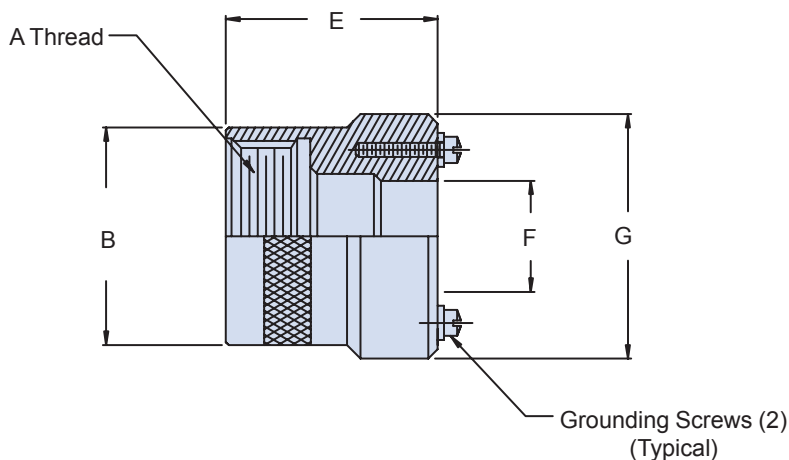
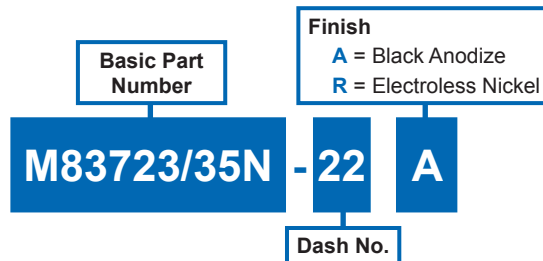


TABLE I: Dash Number, Shell Size, Thread and Dimensions

| Dash No. | Shell Size Ref. | A Thread Class 2B | Ø B Max | E Max | F Max | G Max |
|----------|-----------------|-------------------|-------------|--------------|--------------|--------------|
| 08 | 8S | .438 - 28 UNEF | .59 (15.0) | .780 (19.8) | .257 (6.5) | .900 (22.9) |
| 10 | 10S | .500 - 28 UNEF | .65 (16.5) | .780 (19.8) | .310 (7.9) | .900 (22.9) |
| 11 | 10SL | .562 - 24 UNEF | .73 (18.5) | .780 (19.8) | .390 (9.9) | .980 (24.9) |
| 13 | 12S | .625 - 24 UNEF | .77 (19.6) | .780 (19.8) | .415 (10.5) | .995 (25.3) |
| 15 | 14S | .750 - 20 UNEF | .91 (23.1) | .780 (19.8) | .497 (12.6) | 1.160 (29.5) |
| 16 | 16 | .875 - 20 UNEF | 1.03 (26.2) | .970 (24.6) | .616 (15.6) | 1.260 (32.0) |
| 17 | 16S | .875 - 20 UNEF | 1.03 (26.2) | .780 (19.8) | .616 (15.6) | 1.260 (32.0) |
| 18 | 18 | 1.000 - 20 UNEF | 1.17 (29.7) | 1.050 (26.7) | .735 (18.7) | 1.455 (37.0) |
| 20 | 33 | 1.125 - 18 UNEF | 1.30 (33.0) | 1.050 (26.7) | .875 (22.2) | 1.580 (40.1) |
| 22 | 20 | 1.250 - 18 UNEF | 1.42 (36.1) | 1.050 (26.7) | .983 (25.0) | 1.580 (40.1) |
| 24 | 22 | 1.375 - 18 UNEF | 1.54 (39.1) | .970 (24.6) | 1.095 (27.8) | 1.890 (48.0) |
| 28 | 28 | 1.625 - 18 UNEF | 1.80 (45.7) | .970 (24.6) | 1.255 (31.9) | 1.890 (48.0) |
| 32 | 32 | 1.875 - 16 UN | 2.04 (51.8) | .970 (24.6) | 1.525 (38.7) | 2.215 (56.3) |
| 36 | 36 | 2.125 - 16 UN | 2.27 (57.7) | .970 (24.6) | 1.760 (44.7) | 2.405 (61.1) |
| 40 | 40 | 2.375 - 16 UN | 2.78 (70.6) | 1.450 (36.8) | 2.020 (51.3) | 2.781 (70.6) |

APPLICATION NOTES

1. For complete dimensions, see the applicable Military Specification.
2. Metric dimensions (mm) are indicated in parentheses.

Dimensions in inches (millimeters) and are subject to change without notice.

© 2013 Glenair, Inc.

Mil-Spec Backshells

U.S. CAGE Code 06324

Rev. 8.29.14

Printed in U.S.A.





M83723/50

Straight, 45° and 90° Qwik-Ty® Strain Reliefs

Non-Self-Locking

CONNECTOR DESIGNATOR:
K MIL-DTL-83723, Series II

Basic Part Number

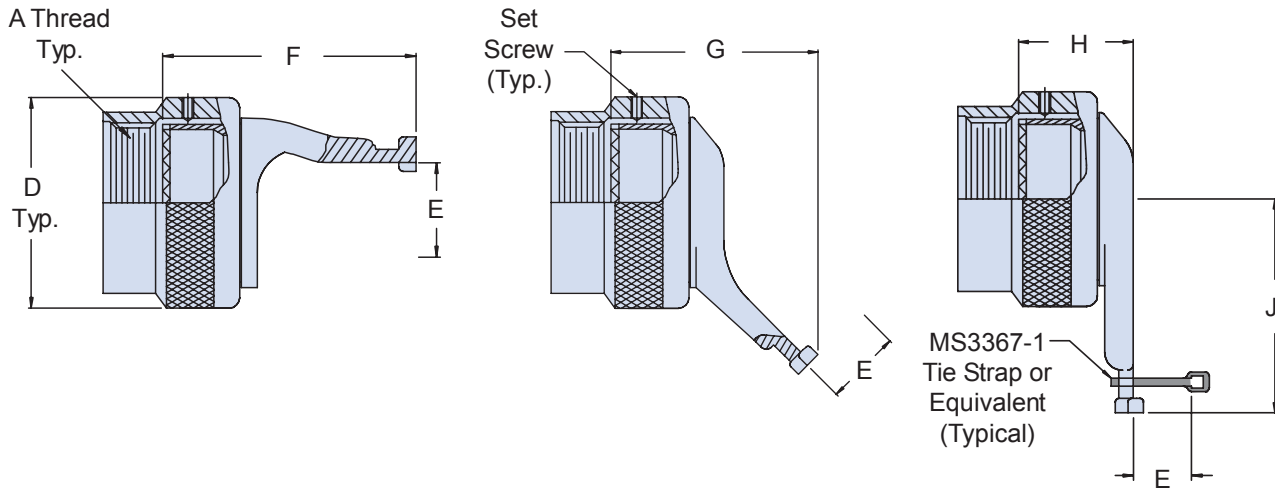
M83723/50R = Straight
 M83723/50B = 45°
 M83723/50A = 90°

Angular Function

R = Straight
 B = 45°
 A = 90°

Shell Size
Finish

A = Black Anodize
 N = Electroless Nickel

M83723/50
R
22
N

TABLE I: Shell Size, Thread, Cable Entry and Backshell Dimensions

| Shell Size | A Thread Class 2B | D Dia Max | E Max Cable Entry | F Max | G Max | H Max | J Max |
|------------|-------------------|--------------|-------------------|--------------|--------------|-------------|--------------|
| 08 | .438 - 28 UNEF | .620 (15.7) | .240 (6.1) | 1.060 (26.9) | .740 (18.8) | .710 (18.0) | .880 (22.4) |
| 10 | .500 - 28 UNEF | .730 (18.5) | .295 (7.5) | 1.060 (26.9) | .740 (18.8) | .710 (18.0) | .940 (23.9) |
| 11 | .562 - 24 UNEF | .730 (18.5) | .375 (9.5) | 1.060 (26.9) | .740 (18.8) | .710 (18.0) | .940 (23.9) |
| 12 | .625 - 24 UNEF | .860 (21.8) | .400 (10.2) | 1.120 (28.4) | .740 (18.8) | .710 (18.0) | 1.000 (25.4) |
| 13 | .625 - 24 UNEF | .860 (21.8) | .400 (10.2) | 1.120 (28.4) | .740 (18.8) | .710 (18.0) | 1.000 (25.4) |
| 14 | .750 - 20 UNEF | .980 (24.9) | .482 (12.2) | 1.300 (33.0) | 2.010 (51.1) | .710 (18.0) | 1.320 (33.5) |
| 15 | .750 - 20 UNEF | .980 (24.9) | .482 (12.2) | 1.310 (33.3) | 2.020 (51.3) | .710 (18.0) | 1.320 (33.5) |
| 16 | .875 - 20 UNEF | 1.110 (28.2) | .601 (15.3) | 1.300 (33.0) | 2.010 (51.1) | .710 (18.0) | 1.370 (34.8) |
| 17 | .875 - 20 UNEF | 1.110 (28.2) | .601 (15.3) | 1.300 (33.0) | 2.010 (51.1) | .710 (18.0) | 1.370 (34.8) |
| 18 | 1.000 - 20 UNEF | 1.220 (31.0) | .722 (18.3) | 1.360 (34.5) | 2.170 (55.1) | .730 (18.5) | 1.470 (37.3) |
| 20 | 1.125 - 18 UNEF | 1.350 (34.3) | .862 (21.9) | 1.500 (38.1) | 2.250 (57.2) | .740 (18.8) | 1.510 (38.4) |
| 22 | 1.250 - 18 UNEF | 1.470 (37.3) | .970 (24.6) | 1.620 (41.1) | 2.250 (57.2) | .630 (16.0) | 1.570 (39.9) |
| 24 | 1.375 - 18 UNEF | 1.590 (40.4) | 1.082 (27.5) | 1.680 (42.7) | 2.330 (59.2) | .630 (16.0) | 1.640 (41.7) |
| 28 | 1.625 - 18 UNEF | 1.970 (50.0) | 1.241 (31.5) | 1.710 (43.4) | 2.330 (59.2) | .630 (16.0) | 1.710 (43.4) |

APPLICATION NOTES

1. Assembly identified with manufacturer's name and part number, space permitting.
2. For complete dimensions, see the applicable Military Specification.
3. Cable entry is defined as the accommodation range for the wire bundle or cable. Dimensions shown are not intended for inspection criteria.
4. Metric dimensions (mm) are in parentheses.

Dimensions in inches (millimeters) and are subject to change without notice.

M83723/59-1, M83723/60-1, MS27292 and MS27294 Threaded Protective Plug and Receptacle Covers



MIL-DTL-83723

MATING CONNECTOR
MIL-DTL-83723, Series III Threaded

Superseded Part Number

Basic Part Number
MS27292 = Plug Cover
MS27294 = Receptacle Cover

Dash Number
MS27292 - 1

See Note 3

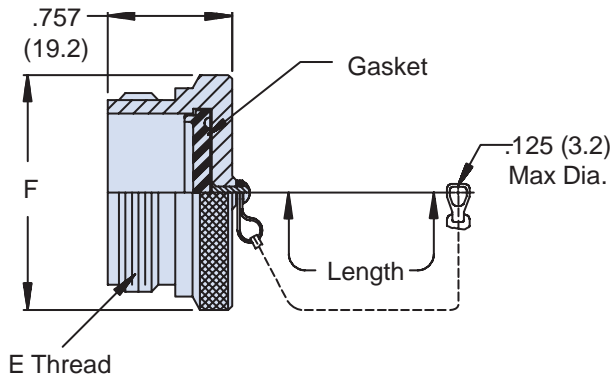
Basic Part Number
M83723/59-1 = Plug Cover
M83723/60-1 = Receptacle Cover

Shell Size
10

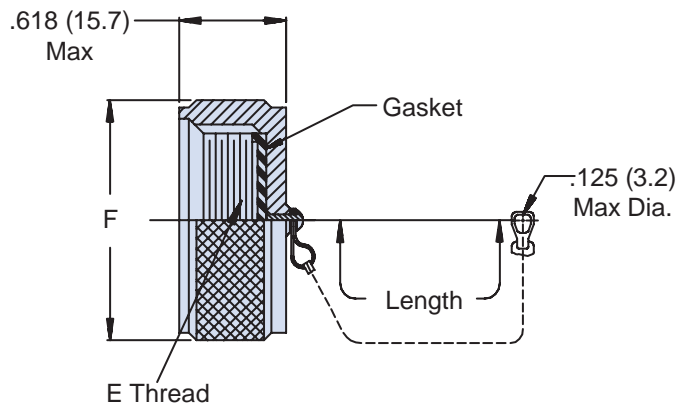
Attachment Style
C = 5.0" (127.0) Chain
P = 8.0" (203.2) Chain
R = 5.0" (127.0) Rope
T = 8.0" (203.2) Rope
N = No Attachment

M83723/59-1 10 A C

Finish
A = Black Anodize
R = Electroless Nickel
W = Cadmium over Electroless Nickel



**M83723/59-1 PLUG COVER
M27292 PLUG COVER (SEE NOTE 3)**



**M83723/60-1 RECEPTACLE COVER
M27294 RECEPTACLE COVER (SEE NOTE 3)**

TABLE I: Shell Size, Dash Number, Thread and Dimensions

| Shell Size | M27292 M27294 Dash No. | E Thread Class 2A/2B | K Dia Max |
|------------|------------------------------|----------------------------|--------------|
| 8 | 7 | 9/16- 24 UNEF | .776 (19.7) |
| 10 | 1 | 11/16- 24 UNEF | .906 (23.0) |
| 12 | 2 | 7/8- 20 UNEF | 1.078 (27.4) |
| 14 | 3 | 15/16- 20 UNEF | 1.141 (29.0) |
| 16 | 4 | 1 1/16- 18 UNEF | 1.266 (32.2) |
| 18 | 5 | 1 3/16- 18 UNEF | 1.375 (34.9) |
| 20 | 8 | 1 5/16- 18 UNEF | 1.510 (38.4) |
| 22 | 6 | 1 7/16- 18 UNEF | 1.625 (41.3) |
| 24 | 9 | 1 9/16- 18 UNEF | 1.760 (44.7) |

- APPLICATION NOTES**
1. Assembly identified with manufacturer's name and part number, space permitting.
 2. For complete dimensions, see the applicable Military Specification.
 3. MS27292 and MS27294 have a black anodize finish. Dash numbers 1, 2 and 7 have a 3.0-inch (76.2) wire rope attachment. Other dash numbers have a 5-inch (127.0) wire rope attachment.
 4. Metric dimensions (mm) are in parentheses.

Dimensions in inches (millimeters) and are subject to change without notice.





M83723/59-2, M83723/60-2, MS27293 and MS29295 Protective Plug and Receptacle Covers Bayonet Coupling

MATING CONNECTOR

MIL-DTL-83723 Bayonet

Superseded Part Number

Basic Part Number
MS27293 = Plug Cover
MS27295 = Receptacle Cover

Dash Number

MS27293 - 1

See Note 3

Basic Part Number

M83723/59-2 = Plug Cover
M83723/60-2 = Receptacle Cover

Shell Size

Attachment Style

C = 5.0" (127.0) Chain
P = 8.0" (203.2) Chain
R = 5.0" (127.0) Rope
T = 8.0" (203.2) Rope
N = No Attachment

M83723/59-2

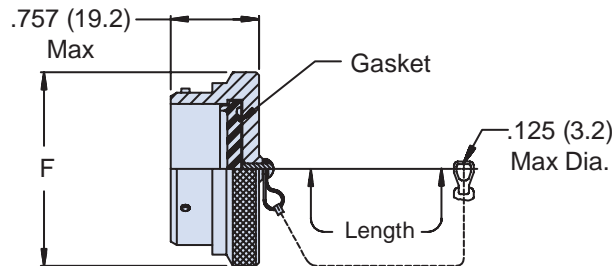
10

A

C

Finish

A = Black Anodize
R = Electroless Nickel
W = Cadmium over Electroless Nickel



M83723/59-2 PLUG COVER
M27293 PLUG COVER (SEE NOTE 3)

**TABLE I: Shell Size,
Dash Number
and Dimensions**

| Shell Size | M27292 M27294 Dash No. | F Dia Max |
|------------|------------------------------|--------------|
| 8 | 7 | .776 (19.7) |
| 10 | 1 | .906 (23.0) |
| 12 | 2 | 1.078 (27.4) |
| 14 | 3 | 1.141 (29.0) |
| 16 | 4 | 1.266 (32.2) |
| 18 | 5 | 1.375 (34.9) |
| 20 | 8 | 1.510 (38.4) |
| 22 | 6 | 1.625 (41.3) |
| 24 | 9 | 1.760 (44.7) |

Dimensions in inches (millimeters) and are subject to change without notice.

M83723/70 Series III Quick-Disconnect Receptacle Adapter



MIL-DTL-83723

Basic Part Number

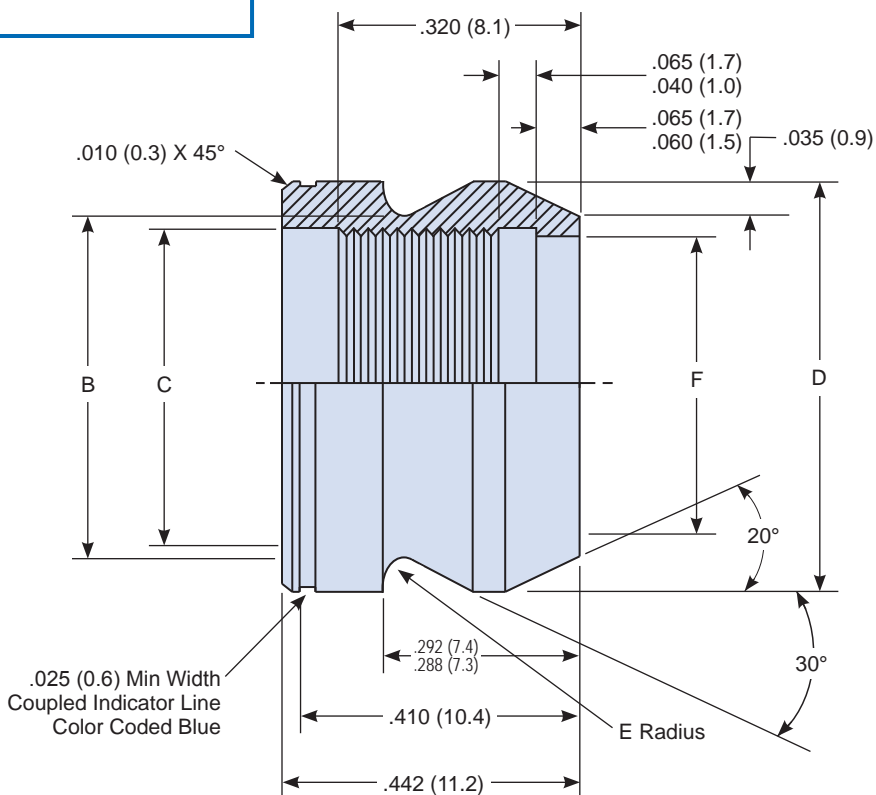
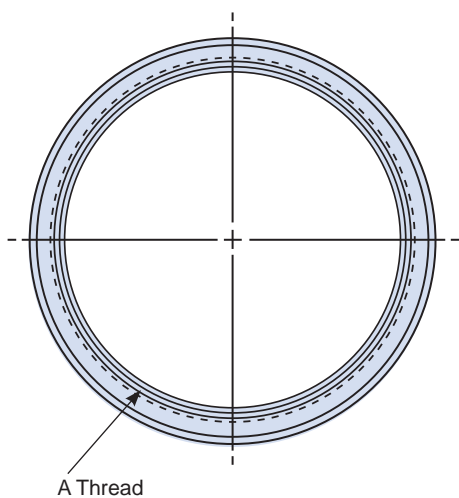
M83723/70

Dash No.

W 22

Material and Finish

- A* = Aluminum, Black Anodize
- R* = Aluminum, Electroless Nickel
- G* = Corrosion-Resistant Steel Passivate
- W* = Aluminum, Cadmium Olive Drab over Electroless Nickel



APPLICATION NOTES

1. Dimensions are in inches and apply after plating.
2. Metric equivalents are in parentheses and given for information only.
3. Unless otherwise specified, tolerances shall be $\pm .005$ (0.13) for three decimal places, $\pm .01$ (0.25) for two decimal places and $\pm 1/2^\circ$ for all angles.
4. Coupling indicator line shall be color coded blue and $.025 \pm .010$ (0.64 \pm 0.25) wide.

Dimensions in inches (millimeters) and are subject to change without notice.





M83723/70 Straight Adapter

TABLE I: Shell Size, Thread, Teeth and Dimensions

| Shell Size | A Coupling Thread UNEF-2B | B Dia | C Dia | D Dia | E Radius | F Dia |
|------------|---------------------------------|---------------|---------------|---------------|-------------|---------------|
| 8 | .5625-24 | .607 (15.42) | .579 (14.71) | .689 (17.50) | .036 (0.91) | .525 (13.34) |
| | | .603 (15.32) | .575 (14.61) | .685 (17.40) | .031 (0.79) | |
| 10 | .6875-24 | .732 (18.59) | .714 (18.14) | .814 (20.68) | .036 (0.91) | .650 (16.51) |
| | | .728 (18.49) | .710 (18.03) | .810 (20.57) | .031 (0.79) | |
| 12 | .875-20 | .918 (23.34) | .894 (22.71) | 1.001 (25.43) | .036 (0.91) | .840 (21.34) |
| | | .915 (23.24) | .890 (22.61) | .997 (25.32) | .031 (0.79) | |
| 14 | .9375-20 | .982 (24.94) | .954 (24.23) | 1.064 (27.03) | .036 (0.91) | .900 (22.86) |
| | | .978 (24.84) | .950 (24.13) | 1.060 (26.92) | .031 (0.79) | |
| 16 | 1.0625-18 | 1.107 (28.12) | 1.079 (27.41) | 1.189 (30.20) | .036 (0.91) | 1.025 (26.04) |
| | | 1.103 (28.02) | 1.075 (27.31) | 1.185 (30.10) | .031 (0.79) | |
| 18 | 1.1875-18 | 1.232 (31.29) | 1.204 (30.58) | 1.330 (33.78) | .044 (1.12) | 1.150 (29.21) |
| | | 1.228 (31.19) | 1.200 (30.48) | 1.326 (33.68) | .039 (0.99) | |
| 20 | 1.3125-18 | 1.357 (34.47) | 1.329 (33.76) | 1.455 (36.96) | .044 (1.12) | 1.275 (32.39) |
| | | 1.353 (34.37) | 1.325 (33.66) | 1.451 (36.86) | .039 (0.99) | |
| 22 | 1.4375-18 | 1.482 (37.64) | 1.454 (36.93) | 1.580 (40.13) | .044 (1.12) | 1.400 (35.56) |
| | | 1.478 (37.54) | 1.450 (36.83) | 1.576 (40.03) | .039 (0.99) | |
| 24 | 1.5625-18 | 1.607 (40.82) | 1.579 (40.11) | 1.705 (43.31) | .044 (1.12) | 1.525 (38.74) |
| | | 1.603 (40.72) | 1.575 (40.01) | 1.701 (43.21) | .039 (0.99) | |

Dimensions in inches (millimeters) and are subject to change without notice.

AS81511 Qualified Backshells and Connector Accessories



SECTION F • AS81511 QUALIFIED PRODUCTS • SECTION F

| Industry Specification Number | Part Identification Number | Military Part Number Superseded | Glenair Commercial Part Number | Description | Glenair Connector Designator/Interface | Page No. |
|-------------------------------|----------------------------|---------------------------------|--------------------------------|--|--|----------|
| AS81511/13 | M81511/13 | -- | 620JS001 | Straight Non-Self-Locking Strain Relief | "J" AS81511 Series I, II, III & IV | F-2 |
| AS81511/14 | M81511/14 A M81511/14 B | -- | 390JS012 390JS012 | Straight EMI/RFI Environmental Backshell A Straight EMI/RFI Environmental Backshell B | "J" AS81511 Series I, II, III & IV | F-3 |
| AS81511/14 | M81511/14 C M81511/14 D | -- | 380JS008 380JS008 | Str. EMI/RFI Non-Environmental Backshell C Str. EMI/RFI Non-Environmental Backshell D | "J" AS81511 Series I, II, III & IV | F-5 |
| AS81511/17 AS81511/18 | M81511/17 M81511/18 | -- | 660-017 660-018 | Protective Plug Cover Protective Receptacle Cover | AS81511 Series I, II, III & IV | F-7 |
| AS81511/19 | M81511/19 | -- | 650JS002 | Dummy Storage Receptacle | AS81511 Series I, II, III & IV | F-8 |
| AS81511/20 | M81511/20 | -- | Consult Factory | Jam Nut | AS81511 Series I, II, III & IV | F-9 |
| AS81511/29 | M81511/29 | -- | 660-016 | Protective Plug Cover | AS81511 Series I, II, III & IV | F-7 |
| AS81511/30 | M81511/30 | -- | 650JS001 | Dummy Storage Receptacle Bayonet Coupling | MIL-DTL-26500 and MIL-DTL-83723, Series III | F-10 |

Dimensions in inches (millimeters) and are subject to change without notice.

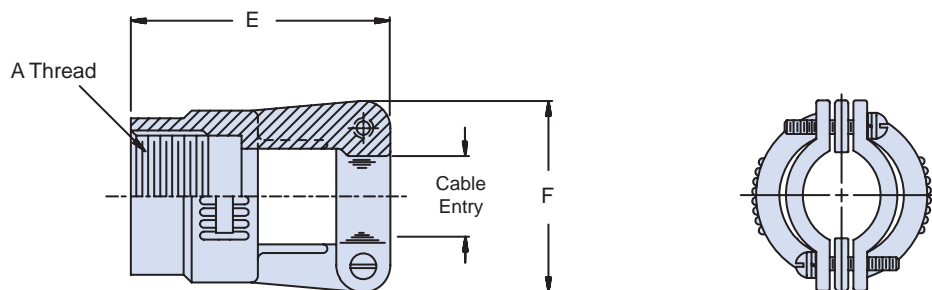
CONNECTOR DESIGNATOR:

J AS81511 Series I, II, III & IV
Basic
Part Number

Shell Size

M81511/13**16****A1**

Adapter Connector Class Designator

*A1 = Classes E, H, and P**B1 = Classes A, B, C, F, G, and T*
TABLE I: Shell Size, Cable Entry and Backshell Dimensions

| Shell Size | A Thread Class 2B | E Max | F Max | Cable Entry | | | |
|------------|----------------------|--------------|--------------|-------------|--------------|-------------|--------------|
| | | | | Min | | Max | |
| 08 | .500 - 28 UNEF | 1.375 (34.9) | .775 (19.7) | .062 (1.6) | .125 (3.2) | .062 (1.6) | .125 (3.2) |
| 10 | .625 - 28 UN | 1.375 (34.9) | .955 (24.3) | .125 (3.2) | .250 (6.4) | .125 (3.2) | .250 (6.4) |
| 14 | .875 - 28 UN | 1.375 (34.9) | 1.145 (29.1) | .250 (6.4) | .500 (12.7) | .250 (6.4) | .500 (12.7) |
| 16 | 1.000 - 28 UN | 1.375 (34.9) | 1.210 (30.7) | .375 (9.5) | .625 (15.9) | .375 (9.5) | .625 (15.9) |
| 18 | 1.125 - 28 UN | 1.375 (34.9) | 1.330 (33.8) | .500 (12.7) | .750 (19.1) | .500 (12.7) | .750 (19.1) |
| 20 | 1.250 - 28 UN | 1.452 (36.9) | 1.470 (37.3) | .625 (15.9) | .875 (22.2) | .625 (15.9) | .875 (22.2) |
| 22 | 1.375 - 28 UN | 1.452 (36.9) | 1.580 (40.1) | .750 (19.1) | 1.000 (25.4) | .750 (19.1) | 1.000 (25.4) |
| 24 | 1.500 - 28 UN | 1.452 (36.9) | 1.720 (43.7) | .750 (19.1) | 1.125 (28.6) | .750 (19.1) | 1.125 (28.6) |

APPLICATION NOTES

1. Assembly to be identified with manufacturer's name and part number, space permitting.
2. Cable Entry is defined as the accommodation entry for the wire bundle or cable. Dimensions are not intended for inspection criteria.
3. For complete dimensions, see the applicable Military Specification.
4. Metric dimensions (mm) are in parentheses.

Dimensions in inches (millimeters) and are subject to change without notice.

AS81511/14 Straight EMI/RFI Environmental Backshell A & B



AS81511

CONNECTOR DESIGNATOR:

J AS81511 Series I, II, III & IV

Basic Part Number

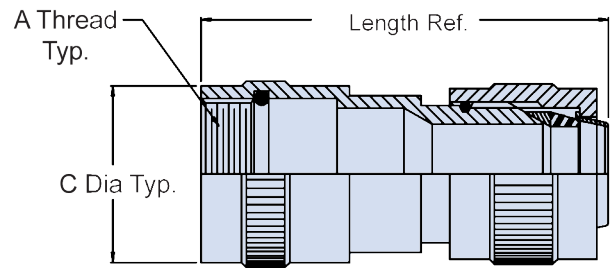
Dash Number (Table I)

M81511/14 - 050

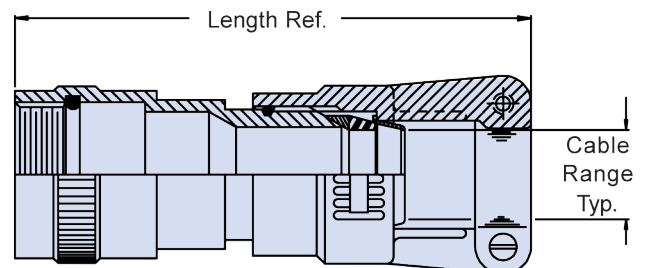
TABLE I: Dash Number and Dimensions

| Dash No. | Shell Size | Function | A Thread Class 2B | Length Ref. | Cable Range | |
|----------|------------|----------|-------------------|-------------|-------------|-------------|
| | | | | | Min | Max |
| 001 | 08 | A | .500 - 28 UNEF | 2.22 (56.4) | .062 (1.6) | .125 (3.2) |
| 002 | 08 | A | .500 - 28 UNEF | 2.22 (56.4) | .125 (3.2) | .250 (6.4) |
| 003 | 08 | B | .500 - 28 UNEF | 2.72 (69.1) | .062 (1.6) | .125 (3.2) |
| 004 | 08 | B | .500 - 28 UNEF | 2.72 (69.1) | .125 (3.2) | .250 (6.4) |
| 005 | 08 | A | .500 - 28 UNEF | 2.72 (69.1) | .062 (1.6) | .125 (3.2) |
| 006 | 08 | A | .500 - 28 UNEF | 2.72 (69.1) | .125 (3.2) | .250 (6.4) |
| 007 | 08 | B | .500 - 28 UNEF | 3.22 (81.8) | .062 (1.6) | .125 (3.2) |
| 008 | 08 | B | .500 - 28 UNEF | 3.22 (81.8) | .125 (3.2) | .250 (6.4) |
| 009 | 10 | A | .625 - 28 UN | 2.22 (56.4) | .125 (3.2) | .250 (6.4) |
| 010 | 10 | A | .625 - 28 UN | 2.22 (56.4) | .250 (6.4) | .375 (9.5) |
| 011 | 10 | A | .625 - 28 UN | 2.22 (56.4) | .375 (9.5) | .500 (12.7) |
| 012 | 10 | B | .625 - 28 UN | 2.72 (69.1) | .125 (3.2) | .250 (6.4) |
| 013 | 10 | B | .625 - 28 UN | 2.72 (69.1) | .250 (6.4) | .375 (9.5) |
| 014 | 10 | B | .625 - 28 UN | 2.72 (69.1) | .375 (9.5) | .500 (12.7) |
| 015 | 10 | A | .625 - 28 UN | 2.72 (69.1) | .125 (3.2) | .250 (6.4) |
| 016 | 10 | A | .625 - 28 UN | 2.72 (69.1) | .250 (6.4) | .375 (9.5) |
| 017 | 10 | A | .625 - 28 UN | 2.72 (69.1) | .375 (9.5) | .500 (12.7) |
| 018 | 10 | B | .625 - 28 UN | 3.22 (81.8) | .125 (3.2) | .250 (6.4) |
| 019 | 10 | B | .625 - 28 UN | 3.22 (81.8) | .250 (6.4) | .375 (9.5) |
| 020 | 10 | B | .625 - 28 UN | 3.22 (81.8) | .375 (9.5) | .500 (12.7) |
| 021 | 14 | A | .875 - 28 UN | 2.22 (56.4) | .250 (6.4) | .375 (9.5) |
| 022 | 14 | A | .875 - 28 UN | 2.22 (56.4) | .375 (9.5) | .500 (12.7) |
| 023 | 14 | A | .875 - 28 UN | 2.22 (56.4) | .500 (12.7) | .625 (15.9) |
| 024 | 14 | B | .875 - 28 UN | 2.72 (69.1) | .250 (6.4) | .375 (9.5) |
| 025 | 14 | B | .875 - 28 UN | 2.72 (69.1) | .375 (9.5) | .500 (12.7) |
| 026 | 14 | B | .875 - 28 UN | 2.72 (69.1) | .500 (12.7) | .625 (15.9) |
| 027 | 14 | A | .875 - 28 UN | 2.72 (69.1) | .250 (6.4) | .375 (9.5) |
| 028 | 14 | A | .875 - 28 UN | 2.72 (69.1) | .375 (9.5) | .500 (12.7) |
| 029 | 14 | A | .875 - 28 UN | 2.72 (69.1) | .500 (12.7) | .625 (15.9) |
| 030 | 14 | B | .875 - 28 UN | 3.22 (81.8) | .250 (6.4) | .375 (9.5) |
| 031 | 14 | B | .875 - 28 UN | 3.22 (81.8) | .375 (9.5) | .500 (12.7) |
| 032 | 14 | B | .875 - 28 UN | 3.22 (81.8) | .500 (12.7) | .625 (15.9) |
| 033 | 16 | A | 1.000 - 28 UN | 2.22 (56.4) | .250 (6.4) | .375 (9.5) |
| 034 | 16 | A | 1.000 - 28 UN | 2.22 (56.4) | .375 (9.5) | .500 (12.7) |
| 035 | 16 | A | 1.000 - 28 UN | 2.22 (56.4) | .500 (12.7) | .625 (15.9) |
| 036 | 16 | B | 1.000 - 28 UN | 2.72 (69.1) | .250 (6.4) | .375 (9.5) |
| 037 | 16 | B | 1.000 - 28 UN | 2.72 (69.1) | .375 (9.5) | .500 (12.7) |

Table I Continued on Page F-4



Function "A" Adapter Assembly



Function "B" Adapter Assembly

APPLICATION NOTES

1. For complete dimensions see the applicable Military Specification.
2. Metric dimensions (mm) are in parentheses.
3. Cable Range is defined as the accommodation range for the wire bundle or cable. Dimensions shown are not intended for inspection criteria.
4. For functions C and D see page F-5.

Dimensions in inches (millimeters) and are subject to change without notice.

© 2013 Glenair, Inc.

U.S. CAGE Code 06324

Printed in U.S.A.



AS81511/14

Straight EMI/RFI Environmental Backshell A & B

TABLE I: Dash Number and Dimensions (Continued from Page F-3)

| Dash No. | Shell Size | Function | A Thread Class 2B | C Dia Max | Length Ref. | Cable Range | |
|----------|------------|----------|-------------------|--------------|-------------|--------------|--------------|
| | | | | | | Min | Max |
| 038 | 16 | B | 1.000 - 28 UN | 1.056 (26.8) | 2.72 (69.1) | .500 (12.7) | .625 (15.9) |
| 039 | 16 | A | 1.000 - 28 UN | 1.056 (26.8) | 2.72 (69.1) | .250 (6.4) | .375 (9.5) |
| 040 | 16 | A | 1.000 - 28 UN | 1.056 (26.8) | 2.72 (69.1) | .375 (9.5) | .500 (12.7) |
| 041 | 16 | A | 1.000 - 28 UN | 1.056 (26.8) | 2.72 (69.1) | .500 (12.7) | .625 (15.9) |
| 042 | 16 | B | 1.000 - 28 UN | 1.056 (26.8) | 3.22 (81.8) | .250 (6.4) | .375 (9.5) |
| 043 | 16 | B | 1.000 - 28 UN | 1.056 (26.8) | 3.22 (81.8) | .375 (9.5) | .500 (12.7) |
| 044 | 16 | B | 1.000 - 28 UN | 1.056 (26.8) | 3.22 (81.8) | .500 (12.7) | .625 (15.9) |
| 045 | 18 | A | 1.125 - 28 UN | 1.180 (30.0) | 2.22 (56.4) | .375 (9.5) | .500 (12.7) |
| 046 | 18 | A | 1.125 - 28 UN | 1.180 (30.0) | 2.22 (56.4) | .500 (12.7) | .625 (15.9) |
| 047 | 18 | A | 1.125 - 28 UN | 1.180 (30.0) | 2.22 (56.4) | .625 (15.9) | .750 (19.1) |
| 048 | 18 | B | 1.125 - 28 UN | 1.180 (30.0) | 2.72 (69.1) | .375 (9.5) | .500 (12.7) |
| 049 | 18 | B | 1.125 - 28 UN | 1.180 (30.0) | 2.72 (69.1) | .500 (12.7) | .625 (15.9) |
| 050 | 18 | B | 1.125 - 28 UN | 1.180 (30.0) | 2.72 (69.1) | .625 (15.9) | .750 (19.1) |
| 051 | 18 | A | 1.125 - 28 UN | 1.180 (30.0) | 2.72 (69.1) | .375 (9.5) | .500 (12.7) |
| 052 | 18 | A | 1.125 - 28 UN | 1.180 (30.0) | 2.72 (69.1) | .500 (12.7) | .625 (15.9) |
| 053 | 18 | A | 1.125 - 28 UN | 1.180 (30.0) | 2.72 (69.1) | .625 (15.9) | .750 (19.1) |
| 054 | 18 | B | 1.125 - 28 UN | 1.180 (30.0) | 3.22 (81.8) | .375 (9.5) | .500 (12.7) |
| 055 | 18 | B | 1.125 - 28 UN | 1.180 (30.0) | 3.22 (81.8) | .500 (12.7) | .625 (15.9) |
| 056 | 18 | B | 1.125 - 28 UN | 1.180 (30.0) | 3.22 (81.8) | .625 (15.9) | .750 (19.1) |
| 113 | 20 | A | 1.250 - 28 UN | 1.305 (33.1) | 2.30 (58.4) | .500 (12.7) | .625 (15.9) |
| 114 | 20 | A | 1.250 - 28 UN | 1.305 (33.1) | 2.30 (58.4) | .625 (15.9) | .750 (19.1) |
| 115 | 20 | A | 1.250 - 28 UN | 1.305 (33.1) | 2.30 (58.4) | .750 (19.1) | .875 (22.2) |
| 116 | 20 | B | 1.250 - 28 UN | 1.305 (33.1) | 2.80 (71.1) | .500 (12.7) | .625 (15.9) |
| 117 | 20 | B | 1.250 - 28 UN | 1.305 (33.1) | 2.80 (71.1) | .625 (15.9) | .750 (19.1) |
| 118 | 20 | B | 1.250 - 28 UN | 1.305 (33.1) | 2.80 (71.1) | .750 (19.1) | .875 (22.2) |
| 119 | 20 | A | 1.250 - 28 UN | 1.305 (33.1) | 2.80 (71.1) | .500 (12.7) | .625 (15.9) |
| 120 | 20 | A | 1.250 - 28 UN | 1.305 (33.1) | 2.80 (71.1) | .625 (15.9) | .750 (19.1) |
| 121 | 20 | A | 1.250 - 28 UN | 1.305 (33.1) | 2.80 (71.1) | .750 (19.1) | .875 (22.2) |
| 122 | 20 | B | 1.250 - 28 UN | 1.305 (33.1) | 3.30 (83.8) | .500 (12.7) | .625 (15.9) |
| 123 | 20 | B | 1.250 - 28 UN | 1.305 (33.1) | 3.30 (83.8) | .625 (15.9) | .750 (19.1) |
| 124 | 20 | B | 1.250 - 28 UN | 1.305 (33.1) | 3.30 (83.8) | .750 (19.1) | .875 (22.2) |
| 125 | 22 | A | 1.375 - 28 UN | 1.430 (36.3) | 2.30 (58.4) | .625 (15.9) | .750 (19.1) |
| 126 | 22 | A | 1.375 - 28 UN | 1.430 (36.3) | 2.30 (58.4) | .750 (19.1) | .875 (22.2) |
| 127 | 22 | A | 1.375 - 28 UN | 1.430 (36.3) | 2.30 (58.4) | .875 (22.2) | 1.000 (25.4) |
| 128 | 22 | B | 1.375 - 28 UN | 1.430 (36.3) | 2.80 (71.1) | .625 (15.9) | .750 (19.1) |
| 129 | 22 | B | 1.375 - 28 UN | 1.430 (36.3) | 2.80 (71.1) | .750 (19.1) | .875 (22.2) |
| 130 | 22 | B | 1.375 - 28 UN | 1.430 (36.3) | 2.80 (71.1) | .875 (22.2) | 1.000 (25.4) |
| 131 | 22 | A | 1.375 - 28 UN | 1.430 (36.3) | 2.80 (71.1) | .625 (15.9) | .750 (19.1) |
| 132 | 22 | A | 1.375 - 28 UN | 1.430 (36.3) | 2.80 (71.1) | .750 (19.1) | .875 (22.2) |
| 133 | 22 | A | 1.375 - 28 UN | 1.430 (36.3) | 2.80 (71.1) | .875 (22.2) | 1.000 (25.4) |
| 134 | 22 | B | 1.375 - 28 UN | 1.430 (36.3) | 3.30 (83.8) | .625 (15.9) | .750 (19.1) |
| 135 | 22 | B | 1.375 - 28 UN | 1.430 (36.3) | 3.30 (83.8) | .750 (19.1) | .875 (22.2) |
| 136 | 22 | B | 1.375 - 28 UN | 1.430 (36.3) | 3.30 (83.8) | .875 (22.2) | 1.000 (25.4) |
| 137 | 24 | A | 1.500 - 28 UN | 1.555 (39.5) | 2.30 (58.4) | .750 (19.1) | .875 (22.2) |
| 138 | 24 | A | 1.500 - 28 UN | 1.555 (39.5) | 2.30 (58.4) | .875 (22.2) | 1.000 (25.4) |
| 139 | 24 | A | 1.500 - 28 UN | 1.555 (39.5) | 2.30 (58.4) | 1.000 (25.4) | 1.125 (28.6) |
| 140 | 24 | B | 1.500 - 28 UN | 1.555 (39.5) | 2.80 (71.1) | .750 (19.1) | .875 (22.2) |
| 141 | 24 | B | 1.500 - 28 UN | 1.555 (39.5) | 2.80 (71.1) | .875 (22.2) | 1.000 (25.4) |
| 142 | 24 | B | 1.500 - 28 UN | 1.555 (39.5) | 2.80 (71.1) | 1.000 (25.4) | 1.125 (28.6) |
| 143 | 24 | A | 1.500 - 28 UN | 1.555 (39.5) | 2.80 (71.1) | .750 (19.1) | .875 (22.2) |
| 144 | 24 | A | 1.500 - 28 UN | 1.555 (39.5) | 2.80 (71.1) | .875 (22.2) | 1.000 (25.4) |
| 145 | 24 | A | 1.500 - 28 UN | 1.555 (39.5) | 2.80 (71.1) | 1.000 (25.4) | 1.125 (28.6) |
| 146 | 24 | B | 1.500 - 28 UN | 1.555 (39.5) | 3.30 (83.8) | .750 (19.1) | .875 (22.2) |
| 147 | 24 | B | 1.500 - 28 UN | 1.555 (39.5) | 3.30 (83.8) | .875 (22.2) | 1.000 (25.4) |
| 148 | 24 | B | 1.500 - 28 UN | 1.555 (39.5) | 3.30 (83.8) | 1.000 (25.4) | 1.125 (28.6) |

Dimensions in inches (millimeters) and are subject to change without notice.

AS81511/14 Functions C and D Straight EMI/RFI Non-Environmental Backshell



AS81511

CONNECTOR DESIGNATOR:

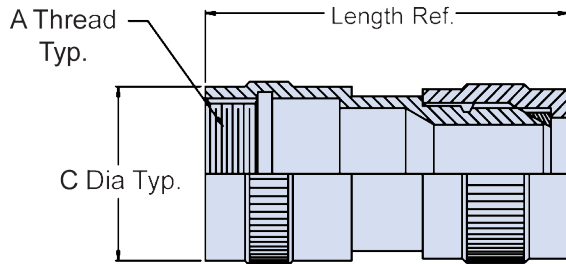
J AS81511 Series I, II, III & IV

Basic Part Number

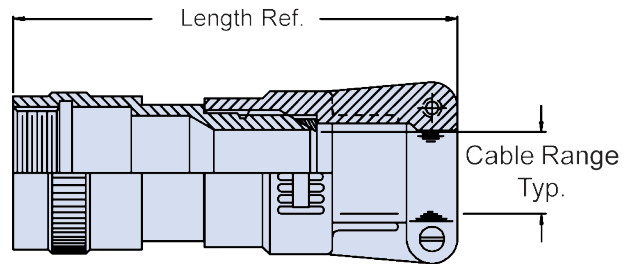
Dash Number (Table I)

M81511/14

100



Function "C" Adapter Assembly



Function "D" Adapter Assembly

| TABLE I: Dash Number and Dimensions | | | | | | | |
|-------------------------------------|------------|----------|-------------------|-------------|-------------|-------------|-------------|
| Dash No. | Shell Size | Function | A Thread Class 2B | C Dia Max | Length Ref. | Cable Range | |
| | | | | | | Min | Max |
| 057 | 08 | C | .500 - 28 UNEF | .555 (14.1) | 1.71 (43.4) | .062 (1.6) | .125 (3.2) |
| 058 | 08 | C | .500 - 28 UNEF | .555 (14.1) | 1.71 (43.4) | .125 (3.2) | .250 (6.4) |
| 059 | 08 | D | .500 - 28 UNEF | .555 (14.1) | 2.47 (62.7) | .062 (1.6) | .125 (3.2) |
| 060 | 08 | D | .500 - 28 UNEF | .555 (14.1) | 2.47 (62.7) | .125 (3.2) | .250 (6.4) |
| 061 | 08 | C | .500 - 28 UNEF | .555 (14.1) | 2.21 (56.1) | .062 (1.6) | .125 (3.2) |
| 062 | 08 | C | .500 - 28 UNEF | .555 (14.1) | 2.21 (56.1) | .125 (3.2) | .250 (6.4) |
| 063 | 08 | D | .500 - 28 UNEF | .555 (14.1) | 2.97 (75.4) | .062 (1.6) | .125 (3.2) |
| 064 | 08 | D | .500 - 28 UNEF | .555 (14.1) | 2.97 (75.4) | .125 (3.2) | .250 (6.4) |
| 065 | 10 | C | .625 - 28 UN | .680 (17.3) | 1.71 (43.4) | .125 (3.2) | .250 (6.4) |
| 066 | 10 | C | .625 - 28 UN | .680 (17.3) | 1.71 (43.4) | .250 (6.4) | .375 (9.5) |
| 067 | 10 | C | .625 - 28 UN | .680 (17.3) | 1.71 (43.4) | .375 (9.5) | .500 (12.7) |
| 068 | 10 | D | .625 - 28 UN | .680 (17.3) | 2.47 (62.7) | .125 (3.2) | .250 (6.4) |
| 069 | 10 | D | .625 - 28 UN | .680 (17.3) | 2.47 (62.7) | .250 (6.4) | .375 (9.5) |
| 070 | 10 | D | .625 - 28 UN | .680 (17.3) | 2.47 (62.7) | .375 (9.5) | .500 (12.7) |
| 071 | 10 | C | .625 - 28 UN | .680 (17.3) | 2.21 (56.1) | .125 (3.2) | .250 (6.4) |
| 072 | 10 | C | .625 - 28 UN | .680 (17.3) | 2.21 (56.1) | .250 (6.4) | .375 (9.5) |
| 073 | 10 | C | .625 - 28 UN | .680 (17.3) | 2.21 (56.1) | .375 (9.5) | .500 (12.7) |
| 074 | 10 | D | .625 - 28 UN | .680 (17.3) | 2.97 (75.4) | .125 (3.2) | .250 (6.4) |
| 075 | 10 | D | .625 - 28 UN | .680 (17.3) | 2.97 (75.4) | .250 (6.4) | .375 (9.5) |
| 076 | 10 | D | .625 - 28 UN | .680 (17.3) | 2.97 (75.4) | .375 (9.5) | .500 (12.7) |
| 077 | 14 | C | .875 - 28 UN | .930 (23.6) | 1.71 (43.4) | .250 (6.4) | .375 (9.5) |
| 078 | 14 | C | .875 - 28 UN | .930 (23.6) | 1.71 (43.4) | .375 (9.5) | .500 (12.7) |
| 079 | 14 | C | .875 - 28 UN | .930 (23.6) | 1.71 (43.4) | .500 (12.7) | .625 (15.9) |
| 080 | 14 | D | .875 - 28 UN | .930 (23.6) | 2.47 (62.7) | .250 (6.4) | .375 (9.5) |
| 081 | 14 | D | .875 - 28 UN | .930 (23.6) | 2.47 (62.7) | .375 (9.5) | .500 (12.7) |
| 082 | 14 | D | .875 - 28 UN | .930 (23.6) | 2.47 (62.7) | .500 (12.7) | .625 (15.9) |
| 083 | 14 | C | .875 - 28 UN | .930 (23.6) | 2.21 (56.1) | .250 (6.4) | .375 (9.5) |
| 084 | 14 | C | .875 - 28 UN | .930 (23.6) | 2.21 (56.1) | .375 (9.5) | .500 (12.7) |
| 085 | 14 | C | .875 - 28 UN | .930 (23.6) | 2.21 (56.1) | .500 (12.7) | .625 (15.9) |
| 086 | 14 | D | .875 - 28 UN | .930 (23.6) | 2.97 (75.4) | .250 (6.4) | .375 (9.5) |
| 087 | 14 | D | .875 - 28 UN | .930 (23.6) | 2.97 (75.4) | .375 (9.5) | .500 (12.7) |
| 088 | 14 | D | .875 - 28 UN | .930 (23.6) | 2.97 (75.4) | .500 (12.7) | .625 (15.9) |

Table I Continued on Next Column (Right)

| TABLE I: Dash Number and Dimensions (Continued) | | | | | | | |
|---|------------|----------|-------------------|--------------|-------------|-------------|-------------|
| Dash No. | Shell Size | Function | A Thread Class 2B | C Dia Max | Length Ref. | Cable Range | |
| | | | | | | Min | Max |
| 089 | 16 | C | 1.000 - 28 UN | 1.056 (26.8) | 1.71 (43.4) | .250 (6.4) | .375 (9.5) |
| 090 | 16 | C | 1.000 - 28 UN | 1.056 (26.8) | 1.71 (43.4) | .375 (9.5) | .500 (12.7) |
| 091 | 16 | C | 1.000 - 28 UN | 1.056 (26.8) | 1.71 (43.4) | .500 (12.7) | .625 (15.9) |
| 092 | 16 | D | 1.000 - 28 UN | 1.056 (26.8) | 2.47 (62.7) | .250 (6.4) | .375 (9.5) |
| 093 | 16 | D | 1.000 - 28 UN | 1.056 (26.8) | 2.47 (62.7) | .375 (9.5) | .500 (12.7) |
| 094 | 16 | D | 1.000 - 28 UN | 1.056 (26.8) | 2.47 (62.7) | .500 (12.7) | .625 (15.9) |
| 095 | 16 | C | 1.000 - 28 UN | 1.056 (26.8) | 2.21 (56.1) | .250 (6.4) | .375 (9.5) |
| 096 | 16 | C | 1.000 - 28 UN | 1.056 (26.8) | 2.21 (56.1) | .375 (9.5) | .500 (12.7) |
| 097 | 16 | C | 1.000 - 28 UN | 1.056 (26.8) | 2.21 (56.1) | .500 (12.7) | .625 (15.9) |
| 098 | 16 | D | 1.000 - 28 UN | 1.056 (26.8) | 2.97 (75.4) | .250 (6.4) | .375 (9.5) |
| 099 | 16 | D | 1.000 - 28 UN | 1.056 (26.8) | 2.97 (75.4) | .375 (9.5) | .500 (12.7) |
| 100 | 16 | D | 1.000 - 28 UN | 1.056 (26.8) | 2.97 (75.4) | .500 (12.7) | .625 (15.9) |
| 101 | 18 | C | 1.125 - 28 UN | 1.180 (30.0) | 1.71 (43.4) | .375 (9.5) | .500 (12.7) |
| 102 | 18 | C | 1.125 - 28 UN | 1.180 (30.0) | 1.71 (43.4) | .500 (12.7) | .625 (15.9) |
| 103 | 18 | C | 1.125 - 28 UN | 1.180 (30.0) | 1.71 (43.4) | .625 (15.9) | .750 (19.1) |
| 104 | 18 | D | 1.125 - 28 UN | 1.180 (30.0) | 2.47 (62.7) | .375 (9.5) | .500 (12.7) |
| 105 | 18 | D | 1.125 - 28 UN | 1.180 (30.0) | 2.47 (62.7) | .500 (12.7) | .625 (15.9) |
| 106 | 18 | D | 1.125 - 28 UN | 1.180 (30.0) | 2.47 (62.7) | .625 (15.9) | .750 (19.1) |
| 107 | 18 | C | 1.125 - 28 UN | 1.180 (30.0) | 2.21 (56.1) | .375 (9.5) | .500 (12.7) |
| 108 | 18 | C | 1.125 - 28 UN | 1.180 (30.0) | 2.21 (56.1) | .500 (12.7) | .625 (15.9) |
| 109 | 18 | C | 1.125 - 28 UN | 1.180 (30.0) | 2.21 (56.1) | .625 (15.9) | .750 (19.1) |
| 110 | 18 | D | 1.125 - 28 UN | 1.180 (30.0) | 2.97 (75.4) | .375 (9.5) | .500 (12.7) |
| 111 | 18 | D | 1.125 - 28 UN | 1.180 (30.0) | 2.97 (75.4) | .500 (12.7) | .625 (15.9) |
| 112 | 18 | D | 1.125 - 28 UN | 1.180 (30.0) | 2.97 (75.4) | .625 (15.9) | .750 (19.1) |
| 149 | 20 | C | 1.250 - 28 UN | 1.305 (33.1) | 1.78 (45.2) | .500 (12.7) | .625 (15.9) |
| 150 | 20 | C | 1.250 - 28 UN | 1.305 (33.1) | 1.78 (45.2) | .625 (15.9) | .750 (19.1) |
| 151 | 20 | C | 1.250 - 28 UN | 1.305 (33.1) | 1.78 (45.2) | .750 (19.1) | .875 (22.2) |
| 152 | 20 | D | 1.250 - 28 UN | 1.305 (33.1) | 2.55 (64.8) | .500 (12.7) | .625 (15.9) |
| 153 | 20 | D | 1.250 - 28 UN | 1.305 (33.1) | 2.55 (64.8) | .625 (15.9) | .750 (19.1) |
| 154 | 20 | D | 1.250 - 28 UN | 1.305 (33.1) | 2.55 (64.8) | .750 (19.1) | .875 (22.2) |
| 155 | 20 | C | 1.250 - 28 UN | 1.305 (33.1) | 2.28 (57.9) | .500 (12.7) | .625 (15.9) |
| 156 | 20 | C | 1.250 - 28 UN | 1.305 (33.1) | 2.28 (57.9) | .625 (15.9) | .750 (19.1) |

Table I Continued on Page F-6

Dimensions in inches (millimeters) and are subject to change without notice.



AS81511/14 Functions C and D Straight EMI/RFI Non-Environmental Backshell

TABLE I: Dash Number and Dimensions (Continued from Page F-5)

| Dash No. | Shell Size | Function | A Thread Class 2B | C Dia Max | Length Ref. | Cable Range | |
|----------|------------|----------|-------------------|--------------|-------------|--------------|--------------|
| | | | | | | Min | Max |
| 157 | 20 | C | 1.250 - 28 UN | 1.305 (33.1) | 2.28 (57.9) | .750 (19.1) | .875 (22.2) |
| 158 | 20 | D | 1.250 - 28 UN | 1.305 (33.1) | 3.05 (77.5) | .500 (12.7) | .625 (15.9) |
| 159 | 20 | D | 1.250 - 28 UN | 1.305 (33.1) | 3.05 (77.5) | .625 (15.9) | .750 (19.1) |
| 160 | 20 | D | 1.250 - 28 UN | 1.305 (33.1) | 3.05 (77.5) | .750 (19.1) | .875 (22.2) |
| 161 | 22 | C | 1.375 - 28 UN | 1.430 (36.3) | 1.78 (45.2) | .625 (15.9) | .750 (19.1) |
| 162 | 22 | C | 1.375 - 28 UN | 1.430 (36.3) | 1.78 (45.2) | .750 (19.1) | .875 (22.2) |
| 163 | 22 | C | 1.375 - 28 UN | 1.430 (36.3) | 1.78 (45.2) | .875 (22.2) | 1.000 (25.4) |
| 164 | 22 | D | 1.375 - 28 UN | 1.430 (36.3) | 2.55 (64.8) | .625 (15.9) | .750 (19.1) |
| 165 | 22 | D | 1.375 - 28 UN | 1.430 (36.3) | 2.55 (64.8) | .750 (19.1) | .875 (22.2) |
| 166 | 22 | D | 1.375 - 28 UN | 1.430 (36.3) | 2.55 (64.8) | .875 (22.2) | 1.000 (25.4) |
| 167 | 22 | C | 1.375 - 28 UN | 1.430 (36.3) | 2.28 (57.9) | .625 (15.9) | .750 (19.1) |
| 168 | 22 | C | 1.375 - 28 UN | 1.430 (36.3) | 2.28 (57.9) | .750 (19.1) | .875 (22.2) |
| 169 | 22 | C | 1.375 - 28 UN | 1.430 (36.3) | 2.28 (57.9) | .875 (22.2) | 1.000 (25.4) |
| 170 | 22 | D | 1.375 - 28 UN | 1.430 (36.3) | 3.05 (77.5) | .625 (15.9) | .750 (19.1) |
| 171 | 22 | D | 1.375 - 28 UN | 1.430 (36.3) | 3.05 (77.5) | .750 (19.1) | .875 (22.2) |
| 172 | 22 | D | 1.375 - 28 UN | 1.430 (36.3) | 3.05 (77.5) | .875 (22.2) | 1.000 (25.4) |
| 173 | 24 | C | 1.500 - 28 UN | 1.555 (39.5) | 1.78 (45.2) | .750 (19.1) | .875 (22.2) |
| 174 | 24 | C | 1.500 - 28 UN | 1.555 (39.5) | 1.78 (45.2) | .875 (22.2) | 1.000 (25.4) |
| 175 | 24 | C | 1.500 - 28 UN | 1.555 (39.5) | 1.78 (45.2) | 1.000 (25.4) | 1.125 (28.6) |
| 176 | 24 | D | 1.500 - 28 UN | 1.555 (39.5) | 2.55 (64.8) | .750 (19.1) | .875 (22.2) |
| 177 | 24 | D | 1.500 - 28 UN | 1.555 (39.5) | 2.55 (64.8) | .875 (22.2) | 1.000 (25.4) |
| 178 | 24 | D | 1.500 - 28 UN | 1.555 (39.5) | 2.55 (64.8) | 1.000 (25.4) | 1.125 (28.6) |
| 179 | 24 | C | 1.500 - 28 UN | 1.555 (39.5) | 2.28 (57.9) | .750 (19.1) | .875 (22.2) |
| 180 | 24 | C | 1.500 - 28 UN | 1.555 (39.5) | 2.28 (57.9) | .875 (22.2) | 1.000 (25.4) |
| 181 | 24 | C | 1.500 - 28 UN | 1.555 (39.5) | 2.28 (57.9) | 1.000 (25.4) | 1.125 (28.6) |
| 182 | 24 | D | 1.500 - 28 UN | 1.555 (39.5) | 3.05 (77.5) | .750 (19.1) | .875 (22.2) |
| 183 | 24 | D | 1.500 - 28 UN | 1.555 (39.5) | 3.05 (77.5) | .875 (22.2) | 1.000 (25.4) |
| 184 | 24 | D | 1.500 - 28 UN | 1.555 (39.5) | 3.05 (77.5) | 1.000 (25.4) | 1.125 (28.6) |
| 171 | 22 | D | 1.375 - 28 UN | 1.430 (36.3) | 3.05 (77.5) | .750 (19.1) | .875 (22.2) |
| 172 | 22 | D | 1.375 - 28 UN | 1.430 (36.3) | 3.05 (77.5) | .875 (22.2) | 1.000 (25.4) |
| 173 | 24 | C | 1.500 - 28 UN | 1.555 (39.5) | 1.78 (45.2) | .750 (19.1) | .875 (22.2) |
| 174 | 24 | C | 1.500 - 28 UN | 1.555 (39.5) | 1.78 (45.2) | .875 (22.2) | 1.000 (25.4) |
| 175 | 24 | C | 1.500 - 28 UN | 1.555 (39.5) | 1.78 (45.2) | 1.000 (25.4) | 1.125 (28.6) |
| 176 | 24 | D | 1.500 - 28 UN | 1.555 (39.5) | 2.55 (64.8) | .750 (19.1) | .875 (22.2) |
| 177 | 24 | D | 1.500 - 28 UN | 1.555 (39.5) | 2.55 (64.8) | .875 (22.2) | 1.000 (25.4) |
| 178 | 24 | D | 1.500 - 28 UN | 1.555 (39.5) | 2.55 (64.8) | 1.000 (25.4) | 1.125 (28.6) |
| 179 | 24 | C | 1.500 - 28 UN | 1.555 (39.5) | 2.28 (57.9) | .750 (19.1) | .875 (22.2) |
| 180 | 24 | C | 1.500 - 28 UN | 1.555 (39.5) | 2.28 (57.9) | .875 (22.2) | 1.000 (25.4) |
| 181 | 24 | C | 1.500 - 28 UN | 1.555 (39.5) | 2.28 (57.9) | 1.000 (25.4) | 1.125 (28.6) |
| 182 | 24 | D | 1.500 - 28 UN | 1.555 (39.5) | 3.05 (77.5) | .750 (19.1) | .875 (22.2) |
| 183 | 24 | D | 1.500 - 28 UN | 1.555 (39.5) | 3.05 (77.5) | .875 (22.2) | 1.000 (25.4) |
| 184 | 24 | D | 1.500 - 28 UN | 1.555 (39.5) | 3.05 (77.5) | 1.000 (25.4) | 1.125 (28.6) |

APPLICATION NOTES

1. For complete dimensions see the applicable Military Specification.
2. Metric dimensions (mm) are in parentheses.
3. Cable Range is defined as the accommodation range for the wire bundle or cable. Dimensions shown are not intended for inspection criteria.
4. For functions A and B see page F-3.

Dimensions in inches (millimeters) and are subject to change without notice.

AS81511/17, AS81511/18 and AS81511/29 Protective Plug and Receptacle Covers



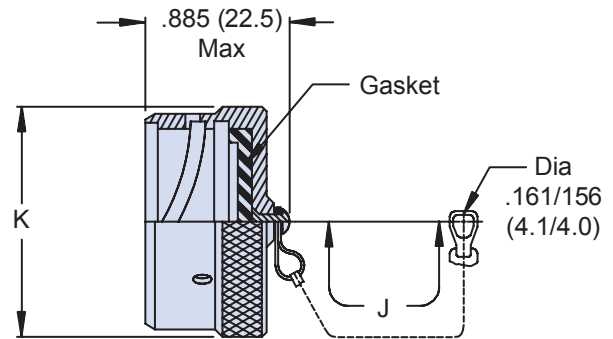
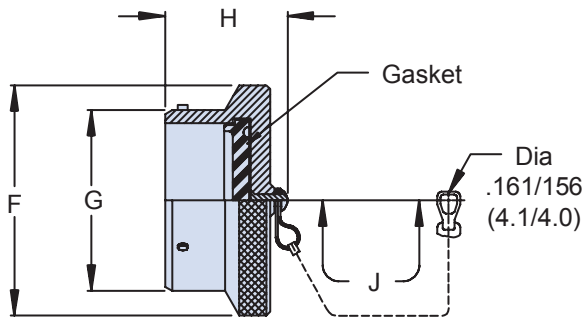
AS81511

| |
|-------------------------|
| MATING CONNECTOR |
| AS81511 |

Basic Part Number
M81511/17 = Plug Cover Series 2
M81511/18 = Receptacle Cover Series 1 and 2
M81511/29 = Plug Cover Series 1

M81511/17 - 16

Shell Size



M81511/29 Plug Cover - Series 1
M81511/17 Plug Cover - Series 2

M81511/18 Receptacle Cover Series 1 and 2

| TABLE I: Shell Size, Attachment and Dimensions | | | | | | |
|--|--------------|--------------------------------|--------------|-------------|-----------------|--------------|
| Shell Size | F Dia Max | G Dia +.000(0.0) -.006(0.2) | H Max | | J ± One Link | K Dia Max |
| | | | M81511/29 | M81511/17 | | |
| 08 | .845 (21.5) | .553 (14.0) | 1.125 (28.6) | .985 (25.0) | 3.0 (76.2) | .844 (21.4) |
| 10 | .970 (24.6) | .678 (17.2) | 1.125 (28.6) | .985 (25.0) | 3.0 (76.2) | .969 (24.6) |
| 14 | 1.220 (31.0) | .928 (23.6) | 1.125 (28.6) | .985 (25.0) | 3.5 (88.9) | 1.219 (31.0) |
| 16 | 1.345 (34.2) | 1.054 (26.8) | 1.125 (28.6) | .985 (25.0) | 3.5 (88.9) | 1.345 (34.2) |
| 18 | 1.470 (37.3) | 1.178 (29.9) | 1.125 (28.6) | .985 (25.0) | 3.5 (88.9) | 1.469 (37.3) |
| 20* | 1.595 (40.5) | 1.303 (33.1) | 1.125 (28.6) | — | 3.5 (88.9) | 1.594 (40.5) |
| 22* | 1.720 (43.7) | 1.428 (36.3) | 1.125 (28.6) | — | 3.5 (88.9) | 1.719 (43.7) |
| 24* | 1.845 (46.9) | 1.553 (39.4) | 1.125 (28.6) | — | 3.5 (88.9) | 1.844 (46.8) |

* Not Applicable for M81511/17 or M81511/18

| APPLICATION NOTES |
|--|
| 1. Assembly identified with manufacturer's name and part number, space permitting. |
| 2. For complete dimensions, see the applicable Military Specification. |
| 3. Metric dimensions (mm) are in parentheses. |

Dimensions in inches (millimeters) and are subject to change without notice.

© 2013 Glenair, Inc.

Mil-Spec Backshells

U.S. CAGE Code 06324

Rev. 8.29.14

Printed in U.S.A.

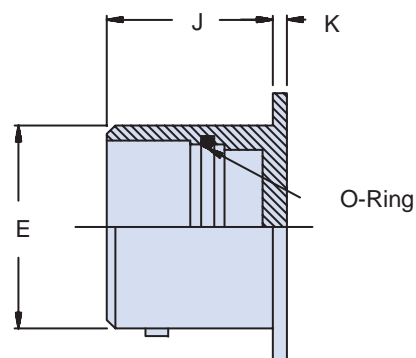
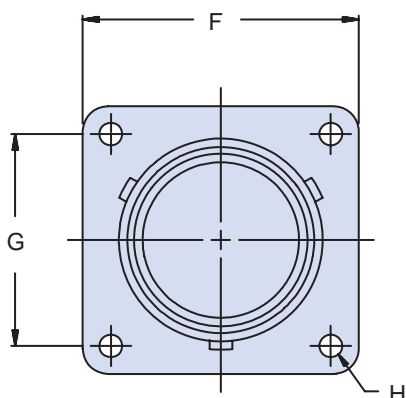
F

MATING CONNECTOR

AS81511 Series 2

**Basic
Part No.**
Finish:

 1 = Cadmium Olive Drab
 2 = Dull Chromium over Nickel

M81511/19 - 14 1
Shell Size

**TABLE I: Dash Number, Cable Entry
and Backshell Dimensions**

| Shell Size | Ø E | | F Sq. | | G Sq. | | H | | J | | K | |
|---------------|-------|--------|-------|--------|-------|--------|-------|-------|-------|--------|-------|-------|
| | ±.003 | (.1) | ±.008 | (.2) | ±.005 | (.1) | ±.005 | (0.1) | ±.010 | (.3) | ±.005 | (.1) |
| 08 | .550 | (14.0) | .812 | (20.6) | .594 | (15.1) | .121 | (3.1) | .645 | (16.4) | .070 | (1.8) |
| 10 | .675 | (17.1) | .937 | (23.8) | .719 | (18.3) | .121 | (3.1) | .645 | (16.4) | .070 | (1.8) |
| 14 | .925 | (23.5) | 1.125 | (28.6) | .906 | (23.0) | .121 | (3.1) | .645 | (16.4) | .070 | (1.8) |
| 16 | 1.051 | (26.7) | 1.250 | (31.8) | .969 | (24.6) | .121 | (3.1) | .645 | (16.4) | .070 | (1.8) |
| 18 | 1.175 | (29.8) | 1.343 | (34.1) | 1.062 | (27.0) | .121 | (3.1) | .645 | (16.4) | .070 | (1.8) |

APPLICATION NOTES

1. Assembly to be identified with manufacturer's name and part number, space permitting.
2. For complete dimensions, see the applicable Military Specification.
3. Metric dimensions (mm) are in parentheses.

Dimensions in inches (millimeters) and are subject to change without notice.

AS81511/20 Jam Nut



AS81511

**MATING
CONNECTOR**

AS81511

M81511/20

8

1

**Basic
Part Number**

**Shell Size
Table I**

Material / Finish

- 1 = 150°C Maximum Temperature, Aluminum Material / Cadmium, Olive Drab over Electroless Nickel
- 2 = 175°C-200°C Temperature Range, Aluminum Material / Electroless Nickel, Grade A

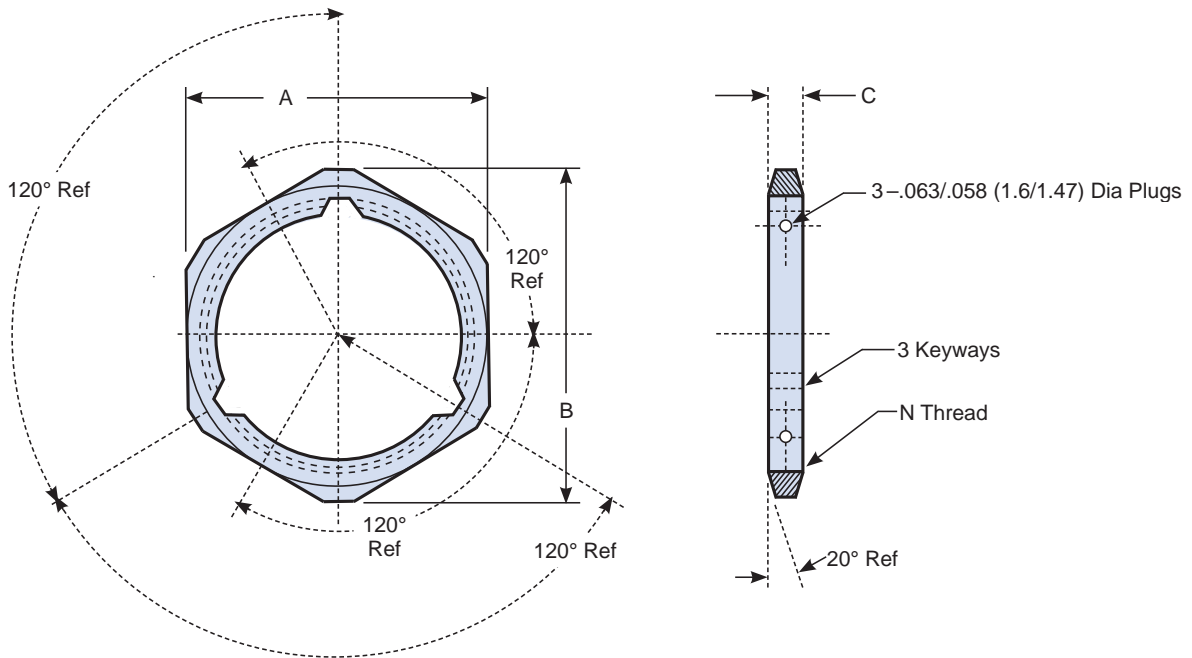


TABLE I: Reference for Connector Shell Size

| Part No. | Tem Rating (C) | Shell Size (Ref) | A Across Flats | B | C | N Thread | Weight (Pounds) (Ref) |
|----------------|----------------|------------------|----------------|---------------|-------------|---------------|-----------------------|
| M81511 20-08-1 | 150° | 8 | .882 (22.40) | .977 (24.82) | .140 (3.56) | 5-8-20UN-2B | .0038 |
| M81511 20-08-2 | 175-200° | 8 | .870 (22.10) | .960 (24.38) | .125 (3.18) | 5-8-20UN-2B | .0038 |
| M81511 20-10-1 | 150° | 10 | .944 (23.98) | 1.084 (27.53) | .140 (3.56) | 3-4-20UNEF-2B | .0044 |
| M81511 20-10-2 | 175-200° | 10 | .932 (23.67) | 1.067 (27.10) | .125 (3.18) | 3-4-20UNEF-2B | .0044 |
| M81511 20-14-1 | 150° | 14 | 1.194 (30.33) | 1.373 (34.87) | .140 (3.56) | 1-20UNEF-2B | .0057 |
| M81511 20-14-2 | 175-200° | 14 | 1.182 (30.02) | 1.356 (34.44) | .125 (3.18) | 1-20UNEF-2B | .0057 |
| M81511 20-16-1 | 150° | 16 | 1.319 (33.50) | 1.517 (38.53) | .140 (3.56) | 1-1-8-20UN-2B | .0071 |
| M81511 20-16-2 | 175-200° | 16 | 1.307 (33.20) | 1.500 (38.10) | .125 (3.18) | 1-1-8-20UN-2B | .0071 |
| M81511 20-18-1 | 150° | 18 | 1.444 (36.68) | 1.662 (42.21) | .140 (3.56) | 1-1-4-20UN-2B | .0079 |
| M81511 20-18-2 | 175-200° | 18 | 1.432 (36.37) | 1.645 (41.78) | .125 (3.18) | 1-1-4-20UN-2B | .0079 |
| M81511 20-20-1 | 150° | 20 | 1.632 (41.45) | 1.772 (45.01) | .140 (3.56) | 1-3-8-20UN-2B | .0091 |
| M81511 20-20-2 | 175-200° | 20 | 1.620 (41.15) | 1.755 (44.58) | .125 (3.18) | 1-3-8-20UN-2B | .0091 |
| M81511 20-22-1 | 150° | 22 | 1.694 (43.03) | 1.950 (49.53) | .140 (3.56) | 1-1-2-20UN-2B | .0102 |
| M81511 20-22-2 | 175-200° | 22 | 1.682 (42.72) | 1.933 (49.10) | .125 (3.18) | 1-1-2-20UN-2B | .0102 |
| M81511 20-24-1 | 150° | 24 | 1.882 (47.80) | 2.086 (52.98) | .140 (3.56) | 1-5-8-20UN-2B | .0123 |
| M81511 20-24-2 | 175-200° | 24 | 1.870 (47.50) | 2.065 (52.45) | .125 (3.18) | 1-5-8-20UN-2B | .0123 |

APPLICATION NOTES

1. The nut is aluminum, plugs are polytetrafluoroethylene.
2. This nut is used with MIL-C-81511 '3, '4, '23, '24, '27, '28, '32 and '37 receptacles.
3. Dimensions apply after plating.
4. For complete dimensions, see the applicable Military Specification.
5. Metric dimensions (mm) are in parentheses.

Dimensions in inches (millimeters) and are subject to change without notice.

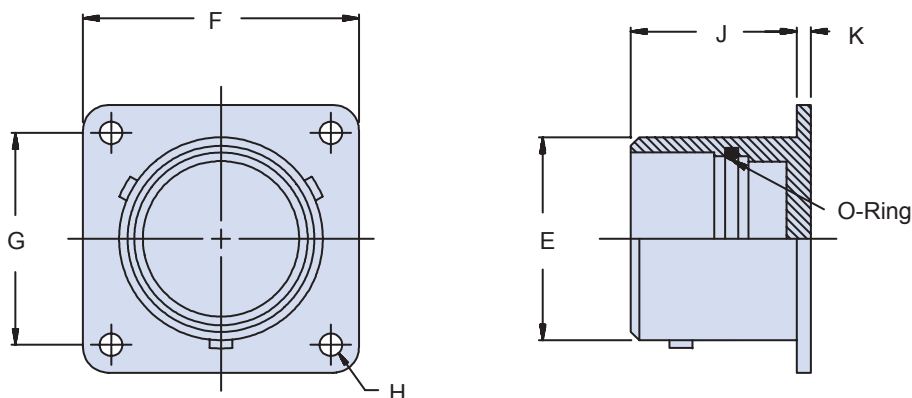
F

MATING CONNECTOR

AS81511 Series 1

**Basic
Part No.**
Finish:

 1 = Cadmium Olive Drab
 2 = Dull Chromium over Nickel

M81511/30 - 14 1
Shell Size

**TABLE I: Dash Number, Cable Entry
and Backshell Dimensions**

| Shell Size | Ø E | | F Sq. | | G Sq. | | H | | J | | K | |
|---------------|-------|--------|-------|--------|-------|--------|-------|-------|-------|--------|-------|-------|
| | ±.003 | (.1) | ±.008 | (.2) | ±.005 | (.1) | ±.005 | (0.1) | ±.010 | (.3) | ±.005 | (.1) |
| 08 | .550 | (14.0) | .812 | (20.6) | .594 | (15.1) | .121 | (3.1) | .645 | (16.4) | .070 | (1.8) |
| 10 | .675 | (17.1) | .937 | (23.8) | .719 | (18.3) | .121 | (3.1) | .645 | (16.4) | .070 | (1.8) |
| 14 | .925 | (23.5) | 1.125 | (28.6) | .906 | (23.0) | .121 | (3.1) | .645 | (16.4) | .070 | (1.8) |
| 16 | 1.051 | (26.7) | 1.250 | (31.8) | .969 | (24.6) | .121 | (3.1) | .645 | (16.4) | .070 | (1.8) |
| 18 | 1.175 | (29.8) | 1.343 | (34.1) | 1.062 | (27.0) | .121 | (3.1) | .645 | (16.4) | .070 | (1.8) |
| 20 | 1.300 | (33.0) | 1.467 | (37.3) | 1.156 | (29.4) | .121 | (3.1) | .645 | (16.4) | .070 | (1.8) |
| 22 | 1.425 | (36.2) | 1.562 | (39.7) | 1.250 | (31.8) | .121 | (3.1) | .645 | (16.4) | .070 | (1.8) |
| 24 | 1.550 | (39.4) | 1.703 | (43.3) | 1.375 | (34.9) | .148 | (3.8) | .645 | (16.4) | .070 | (1.8) |

APPLICATION NOTES

1. Assembly to be identified with manufacturer's name and part number, space permitting.
2. For complete dimensions, see the applicable Military Specification.
3. Metric dimensions (mm) are in parentheses.

Dimensions in inches (millimeters) and are subject to change without notice.

Miscellaneous Qualified Backshells and Connector Accessories



| Industry Specification Number | Part Identification Number | Military Part Number Superseded | Glenair Commercial Part Number | Description | Glenair Connector Designator/Interface | Page No. |
|-------------------------------|----------------------------|---------------------------------|--------------------------------|--|--|-------------|
| AS25042 AS25043 | MS25042 MS25043 | MS25042 MS25043 | 660-004 660-005 | Threaded Protective Plug Cover Threaded Protective Receptacle Cover | AS50151 | G-2 |
| MS17349 MS17350 | MS17349 MS17350 | — | 660-007 660-006 | Threaded Protective Receptacle Cover Threaded Protective Plug Cover | MIL-DTL-22992 | G-3 |
| MS27291 | MS27291 | — | 620ES050 | Straight Non-Self-Locking Strain Relief | "E" MIL-DTL-26500 | G-4 |
| MIL-DTL-26500 | MS27558 | — | G2221-A | 90° Non-Self-Locking Strain Relief | "E" MIL-DTL-26500 | G-5 |
| MIL-DTL-26500 | MS27559 | — | G2221-B | 90° Non-Self-Locking Strain Relief | "E" MIL-DTL-26500 | G-6 |
| — | MS27741 | — | 410-003 | TAG® Ring for Reliable Terminations | — | G-7 |
| AS50151 | MS3105 | — | 650BS001 | Dummy Storage Receptacle, Threaded Coupling | AS50151 | G-8 |
| — | MS3115 | — | 650DS001 | Dummy Storage Receptacle, Bayonet Coupling | MIL-DTL-26482 | G-9 |
| — | MS3180 MS3181 | — | 660-008 660-009 | Protective Plug Cover, Bayonet Coupling Protective Receptacle Cover, Bayonet Coupling | MIL-DTL-26482 | G-10 |
| — | MS27512 | MS3186 | Consult Factory | Jam Nut with Safety Wire Holes | AS50151; MIL-DTL-26482; MIL-DTL-26500; MIL-DTL-83723 Series I; MIL-DTL-83723, Series III MIL-DTL-38999 Series I; MIL-DTL38999 Series II; MIL-DTL-28840; MIL-DTL-27599 | G-11 |
| — | M29504/04 | — | Consult Factory | Fiber Optic Pin Terminus, Size 16 | MIL-DTL-29504 | G-13 |
| — | M29504/05 | — | Consult Factory | Fiber Optic Socket Terminus, Size 16 | MIL-DTL-29504 | G-14 |
| MIL-DTL-83513/05 | M83513/05 | — | Consult Factory | Micro-D Jackscrew Kits | MIL-DTL-83513/05 | G-15 |
| MIL-DTL-83538/9 | M83538/9S | — | Consult Factory | Straight Adapter and Extender | MIL-DTL-83538/4 | G-16 |
| MIL-S-81824/1 | M81824/1 | — | 070-001 | In-Line Splice, Insulated and Environmental | — | G-17 |

Dimensions in inches (millimeters) and are subject to change without notice.



AS25042 and AS25043 Protective Plug and Receptacle Covers

MATING CONNECTOR

AS50151

Basic Part Number

MS25042 = Plug Cover
MS25043 = Receptacle Cover

Shell Size
(Table I)

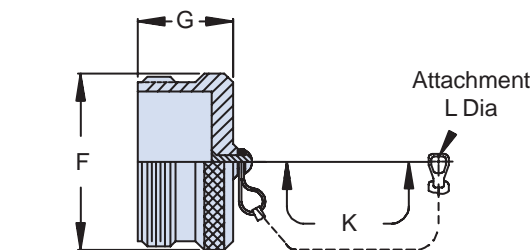
Finish

D = Cadmium, O.D.
DA = Black Anodize

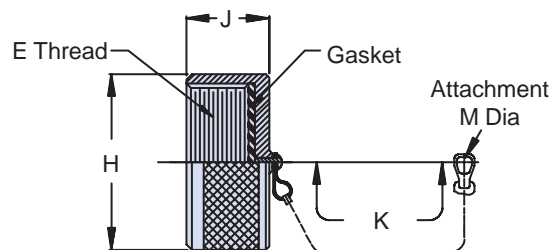
MS25042

- 20

D



MS25042 Plug Cover



MS25043 Receptacle Cover

TABLE I: Shell Size, Thread, Attachment and Dimensions

| Shell Size | E Thread | F Dia Max | G Max | H Max | J Max | K Attachment Length (Inches) | L Dia Min | M Dia Min |
|------------|----------------|--------------|-------------|--------------|-------------|------------------------------|------------|------------|
| 8 | 1/2- 28 UNEF | .562 (14.3) | .656 (16.7) | .688 (17.5) | .469 (11.9) | 4.00 (101.6) | .151 (3.8) | .135 (3.4) |
| 10 | 5/8- 24 UNEF | .687 (17.4) | .656 (16.7) | .815 (20.7) | .469 (11.9) | 4.00 (101.6) | .151 (3.8) | .135 (3.4) |
| 12 | 3/4- 20 UNEF | .812 (20.6) | .844 (21.4) | 1.000 (25.4) | .469 (11.9) | 4.50 (114.3) | .151 (3.8) | .135 (3.4) |
| 14 | 7/8- 20 UNEF | .937 (23.8) | .844 (21.4) | 1.125 (28.6) | .469 (11.9) | 4.50 (114.3) | .151 (3.8) | .135 (3.4) |
| 16 | 1- 20 UNEF | 1.062 (27.0) | .844 (21.4) | 1.188 (30.2) | .469 (11.9) | 4.50 (114.3) | .151 (3.8) | .135 (3.4) |
| 18 | 1 1/8- 18 UNEF | 1.187 (30.1) | .844 (21.4) | 1.344 (34.1) | .469 (11.9) | 4.50 (114.3) | .151 (3.8) | .135 (3.4) |
| 20 | 1 1/4- 18 UNEF | 1.312 (33.3) | .844 (21.4) | 1.469 (37.3) | .469 (11.9) | 5.00 (127.0) | .182 (4.6) | .135 (3.4) |
| 22 | 1 3/8- 18 UNEF | 1.437 (36.5) | .844 (21.4) | 1.594 (40.5) | .469 (11.9) | 5.00 (127.0) | .182 (4.6) | .135 (3.4) |
| 24 | 1 1/2- 18 UNEF | 1.562 (39.7) | .844 (21.4) | 1.719 (43.7) | .469 (11.9) | 5.50 (139.7) | .182 (4.6) | .166 (4.2) |
| 28 | 1 3/4- 18 UNS | 1.812 (46.0) | .844 (21.4) | 1.969 (50.0) | .531 (13.5) | 7.75 (196.9) | .182 (4.6) | .166 (4.2) |
| 32 | 2- 18 UNS | 2.062 (52.4) | .844 (21.4) | 2.219 (56.4) | .531 (13.5) | 7.75 (196.9) | .213 (5.4) | .182 (4.6) |
| 36 | 2 1/4- 16 UN | 2.312 (58.7) | .844 (21.4) | 2.469 (62.7) | .531 (13.5) | 7.75 (196.9) | .213 (5.4) | .182 (4.6) |
| 40 | 2 1/2- 16 UN | 2.562 (65.1) | .844 (21.4) | 2.719 (69.1) | .531 (13.5) | 7.75 (196.9) | .213 (5.4) | .182 (4.6) |
| 44 | 2 3/4- 16 UN | 2.812 (71.4) | .844 (21.4) | 2.969 (75.4) | .531 (13.5) | 7.75 (196.9) | .213 (5.4) | .182 (4.6) |
| 48 | 3- 16 UN | 3.062 (77.8) | .844 (21.4) | 3.188 (81.0) | .531 (13.5) | 7.75 (196.9) | .213 (5.4) | .182 (4.6) |

APPLICATION NOTES

1. Assembly identified with manufacturer's name and part number, space permitting.
2. For complete dimensions, see the applicable Military Specification.
3. Metric dimensions (mm) are in parentheses.

Dimensions in inches (millimeters) and are subject to change without notice.

MS17349 and MS17350 Protective Plug and Receptacle Covers



| |
|-------------------------|
| MATING CONNECTOR |
| MIL-DTL-22992 |

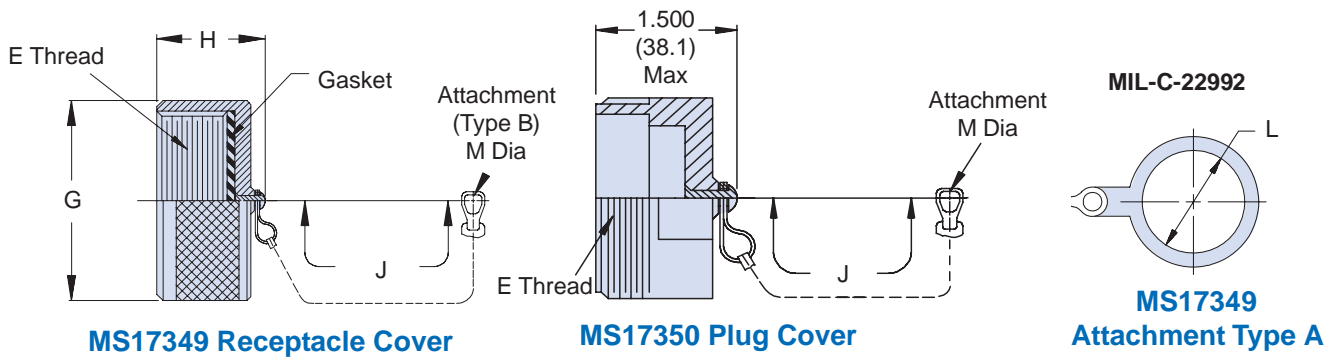
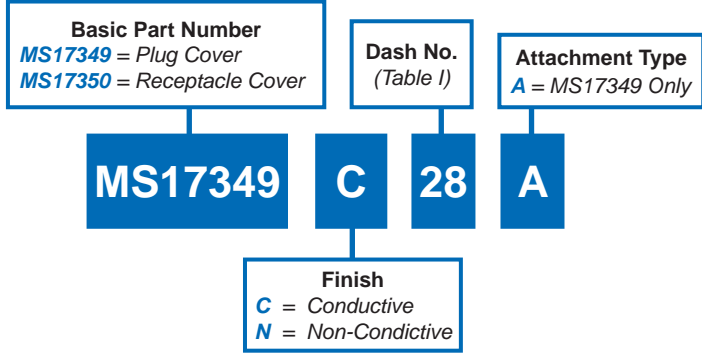


TABLE I: Dash Number, Thread, Attachment and Dimensions

| Dash No. | E Thread | G Max | H Max | J Chain Length (Inches) | L Min | M Dia Min |
|----------|---------------------|--------------|-------------|-------------------------|--------------|------------|
| 12 | .8750-0.1P-0.2L-DS | 1.094 (27.8) | .765 (19.4) | 5.00 (127.0) | 1.016 (25.8) | .150 (3.8) |
| 14 | 1.0000-0.1P-0.2L-DS | 1.219 (31.0) | .765 (19.4) | 5.00 (127.0) | 1.141 (29.0) | .150 (3.8) |
| 16 | 1.1250-0.1P-0.2L-DS | 1.344 (34.1) | .980 (24.9) | 5.00 (127.0) | 1.266 (32.2) | .150 (3.8) |
| 18 | 1.2500-0.1P-0.2L-DS | 1.469 (37.3) | .980 (24.9) | 5.00 (127.0) | 1.391 (35.3) | .177 (4.5) |
| 20 | 1.3750-0.1P-0.2L-DS | 1.562 (39.7) | .980 (24.9) | 5.00 (127.0) | 1.516 (38.5) | .177 (4.5) |
| 22 | 1.5000-0.1P-0.2L-DS | 1.688 (42.9) | .980 (24.9) | 6.00 (152.4) | 1.641 (41.7) | .177 (4.5) |
| 24 | 1.7500-0.1P-0.2L-DS | 1.938 (49.2) | .980 (24.9) | 6.00 (152.4) | 1.891 (48.0) | .177 (4.5) |
| 28 | 2.0000-0.1P-0.2L-DS | 2.219 (56.4) | .980 (24.9) | 6.00 (152.4) | 2.141 (54.4) | .177 (4.5) |
| 32 | 2.2500-0.1P-0.2L-DS | 2.469 (62.7) | .980 (24.9) | 6.00 (152.4) | 2.391 (60.7) | .199 (5.1) |
| 36 | 2.5000-0.1P-0.2L-DS | 2.719 (69.1) | .980 (24.9) | 6.00 (152.4) | 2.641 (67.1) | .199 (5.1) |
| 40 | 2.7500-0.1P-0.2L-DS | 2.969 (75.4) | .980 (24.9) | 6.00 (152.4) | 2.891 (73.4) | .199 (5.1) |
| 44 | 3.0000-0.1P-0.2L-DS | 3.219(81.8) | .980 (24.9) | 6.00 (152.4) | 3.141 (79.8) | .199 (5.1) |

APPLICATION NOTES

1. Assembly identified with manufacturer's name and part number, space permitting.
2. For complete dimensions, see the applicable Military Specification.
3. Metric dimensions (mm) are in parentheses.

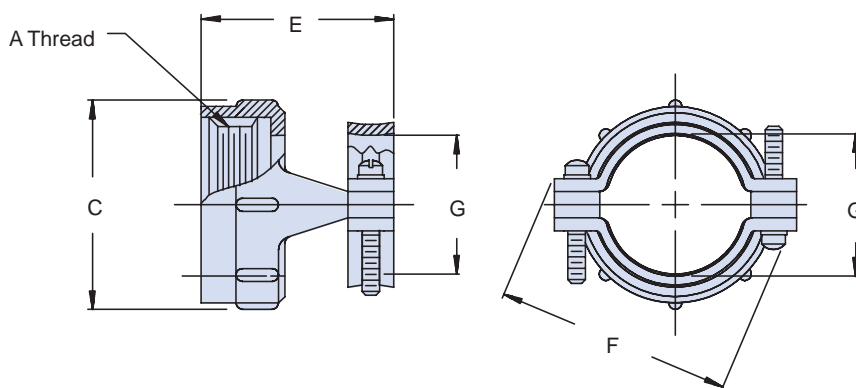
Dimensions in inches (millimeters) and are subject to change without notice.





MS27291 Straight Non-Self-Locking Strain Relief

CONNECTOR DESIGNATOR:
E MIL-DTL-26500

**Basic
Part Number**
**Dash
Number**
MS27291 - 401

TABLE I: Dash Number, Shell Size, Thread and Dimensions

| Dash No. For Use with Class Connectors | | Shell Size Ref. | A Thread Class 2B | C Max | E | | F Max | | Ø G | |
|--|-----|-----------------|-------------------|--------------|--------------|--------------|--------------|--|-------|------|
| R and F | G | | | | ±.015 | (.4) | | | ±.005 | (.1) |
| 1 | 101 | 10 | .562 - 24 UNEF | .731 (18.6) | .935 (23.7) | .914 (23.2) | .270 (6.9) | | | |
| 2 | 201 | 12 | .750 - 20 UNEF | .919 (23.3) | .935 (23.7) | 1.026 (26.1) | .400 (10.2) | | | |
| 3 | 301 | 14 | .812 - 20 UNEF | .981 (24.9) | 1.170 (29.7) | 1.090 (27.7) | .460 (11.7) | | | |
| 4 | 401 | 16 | .938 - 20 UNEF | 1.106 (28.1) | 1.170 (29.7) | 1.250 (31.8) | .610 (15.5) | | | |
| 5 | 501 | 18 | 1.062 - 18 UNEF | 1.231 (31.3) | 1.170 (29.7) | 1.358 (34.5) | .690 (17.5) | | | |
| 6 | 601 | 22 | 1.312 - 18 UNEF | 1.481 (37.6) | 1.170 (29.7) | 1.604 (40.7) | .940 (23.9) | | | |
| 13 | 701 | 8 | .438 - 28 UNEF | .606 (15.4) | .935 (23.7) | .789 (20.0) | .186 (4.7) | | | |
| 14 | 801 | 20 | 1.188 - 18 UNEF | 1.356 (34.4) | 1.170 (29.7) | 1.481 (37.6) | .816 (20.7) | | | |
| 15 | 901 | 24 | 1.438 - 18 UNEF | 1.606 (40.8) | 1.170 (29.7) | 1.729 (43.9) | 1.066 (27.1) | | | |

APPLICATION NOTES

1. Finish: Class R and F—anodize, Class G, Chrome Plated
2. Assembly to be identified with manufacturer's name and part number, space permitting.
3. For complete dimensions, see the applicable Military Specification.
4. Metric dimensions (mm) are in parentheses.

Dimensions in inches (millimeters) and are subject to change without notice.

MS27558 90° Non-Self-Locking Strain Relief



| CONNECTOR DESIGNATOR: | |
|-----------------------|---------------|
| E | MIL-DTL-26500 |

| | |
|----------------------|----------------|
| Basic Part Number | Dash Number |
| MS27558 | - 3 |

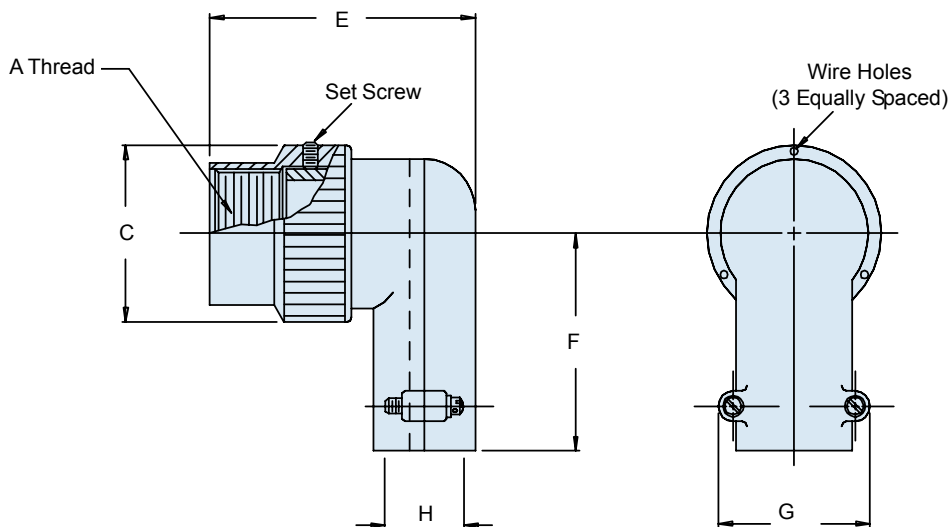


TABLE I: Dash Number, Shell Size, Thread and Dimensions

| Dash No. | Shell Size Ref. | A Thread Class 2B | C Max | E Max | F Max | G Max | H Dia |
|----------|-----------------|-------------------|--------------|--------------|--------------|--------------|--------------|
| 1* | 8 | .437 - 28 UNEF | .672 (17.1) | 1.200 (30.5) | .602 (15.3) | .892 (22.7) | .240 (6.1) |
| 2 | 10 | .562 - 24 UNEF | .797 (20.2) | 1.320 (33.5) | .650 (16.5) | 1.072 (27.2) | .365 (9.3) |
| 3 | 12 | .750 - 20 UNEF | 1.016 (25.8) | 1.320 (33.5) | .740 (18.8) | 1.072 (27.2) | .365 (9.3) |
| 4 | 14 | .812 - 20 UNEF | 1.110 (28.2) | 1.487 (37.8) | .775 (19.7) | 1.108 (28.1) | .515 (13.1) |
| 5 | 16 | .938 - 20 UNEF | 1.234 (31.3) | 1.470 (37.3) | .830 (21.1) | 1.108 (28.1) | .515 (13.1) |
| 6 | 18 | 1.062 - 18 UNEF | 1.360 (34.5) | 1.588 (40.3) | .897 (22.8) | 1.233 (31.3) | .640 (16.3) |
| 7 | 20 | 1.188 - 18 UNEF | 1.485 (37.7) | 1.759 (44.7) | .955 (24.3) | 1.477 (37.5) | .775 (19.7) |
| 8 | 22 | 1.312 - 18 UNEF | 1.610 (40.9) | 1.759 (44.7) | 1.015 (25.8) | 1.477 (37.5) | .775 (19.7) |
| 9 | 24 | 1.438 - 18 UNEF | 1.735 (44.1) | 2.027 (51.5) | 1.077 (27.4) | 1.727 (43.9) | 1.060 (26.9) |

* Consult Factory

APPLICATION NOTES

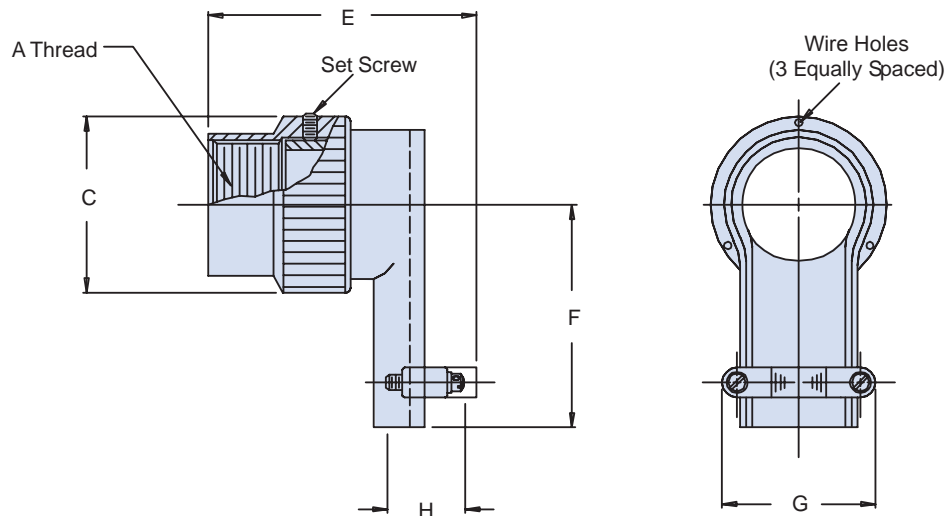
1. Finish: Anodize.
2. Assembly to be identified with manufacturer's name and part number, space permitting.
3. For complete dimensions, see the applicable Military Specification.
4. Metric dimensions (mm) are in parentheses.

Dimensions in inches (millimeters) and are subject to change without notice.



MS27559 90° Non-Self-Locking Strain Relief

CONNECTOR DESIGNATOR:
E MIL-DTL-26500

**Basic
Part Number**
**Dash
Number**
MS27559
- 4

TABLE I: Dash Number, Shell Size, Thread and Dimensions

| Dash No. | Shell Size Ref. | A Thread Class 2B | C Max | E Max | F Max | G Max | H Dia |
|----------|-----------------|-------------------|--------------|--------------|--------------|--------------|-------------|
| 1 | 8 | .437 - 28 UNEF | .672 (17.1) | 1.173 (29.8) | .602 (15.3) | .892 (22.7) | .201 (5.1) |
| 2 | 10 | .562 - 24 UNEF | .797 (20.2) | 1.293 (32.8) | .650 (16.5) | 1.072 (27.2) | .320 (8.1) |
| 3 | 12 | .750 - 20 UNEF | 1.016 (25.8) | 1.293 (32.8) | .740 (18.8) | 1.072 (27.2) | .320 (8.1) |
| 4 | 14 | .812 - 20 UNEF | 1.110 (28.2) | 1.460 (37.1) | .775 (19.7) | 1.108 (28.1) | .452 (11.5) |
| 5 | 16 | .938 - 20 UNEF | 1.234 (31.3) | 1.443 (36.7) | .830 (21.1) | 1.108 (28.1) | .508 (12.9) |
| 6 | 18 | 1.062 - 18 UNEF | 1.360 (34.5) | 1.561 (39.6) | .897 (22.8) | 1.233 (31.3) | .571 (14.5) |
| 7 | 20 | 1.188 - 18 UNEF | 1.485 (37.7) | 1.732 (44.0) | .955 (24.3) | 1.477 (37.5) | .748 (19.0) |
| 8 | 22 | 1.312 - 18 UNEF | 1.610 (40.9) | 1.732 (44.0) | 1.015 (25.8) | 1.477 (37.5) | .748 (19.0) |
| 9 | 24 | 1.438 - 18 UNEF | 1.735 (44.1) | 2.000 (50.8) | 1.077 (27.4) | 1.727 (43.9) | .996 (25.3) |

APPLICATION NOTES

1. Finish: Anodize.
2. Assembly to be identified with manufacturer's name and part number, space permitting.
3. For complete dimensions, see the applicable Military Specification.
4. Metric dimensions (mm) are in parentheses.

Dimensions in inches (millimeters) and are subject to change without notice.

**MS27741
TAG® Ring
For Reliable Shield Terminations**

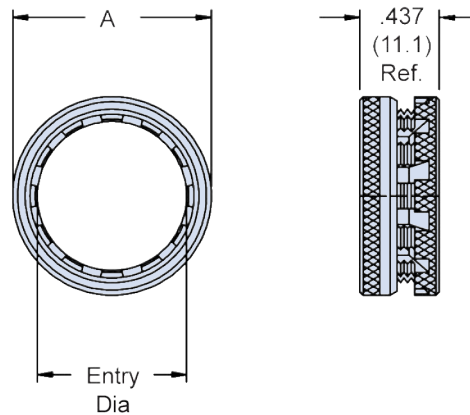
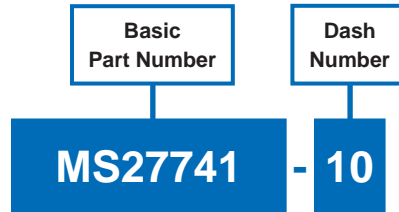


TABLE I: Shell Size, Entry, Slots and Weight

| Dash No. | A Dia Max | Entry Dia | No. of Slots | Weight in Grams |
|----------|--------------|--------------|--------------|-----------------|
| 2 | .545 (13.8) | .250 (6.4) | 3 | 2.268 |
| 3 | .670 (17.0) | .375 (9.5) | 4 | 2.722 |
| 4 | .795 (20.2) | .500 (12.7) | 6 | 3.175 |
| 5 | .920 (23.4) | .625 (15.9) | 8 | 4.082 |
| 6 | 1.045 (26.5) | .750 (19.1) | 10 | 4.536 |
| 7 | 1.170 (29.7) | .875 (22.2) | 10 | 4.990 |
| 8 | 1.295 (32.9) | 1.000 (25.4) | 12 | 5.443 |
| 9 | 1.420 (36.1) | 1.125 (28.6) | 15 | 6.350 |
| 10 | 1.687 (42.8) | 1.250 (31.8) | 15 | 10.433 |
| 11 | 1.812 (46.0) | 1.375 (34.9) | 15 | 14.515 |

APPLICATION NOTES

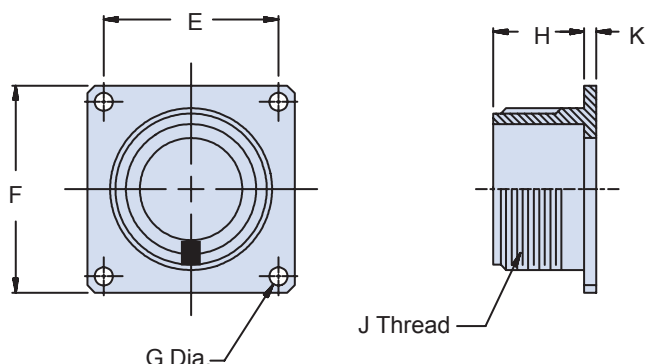
1. For complete dimensions see the applicable Military Specification.
2. Finish:
Body and Nut - Gold Iridite
Spring - Gold Plate
3. Metric dimensions (mm) are in parentheses.

Dimensions in inches (millimeters) and are subject to change without notice.



AS31051

Dummy Storage Receptacle Threaded Coupling

MATING CONNECTOR
AS50151
**Basic
Part No.**
Dash No.
MS3105 - 16

**TABLE I: Dash Number, Cable Entry
and Backshell Dimensions**

| Shell Size | E | | F Max | G Max | | H Max | | J Thread Class 2A | K Max | | |
|---------------|-------|--------|----------|----------|------|----------|------|----------------------|---------------|------|-------|
| | ±.005 | (.1) | | | | | | | | | |
| 8S | .594 | (15.1) | .906 | (23.0) | .130 | (3.3) | .593 | (15.1) | 1/2-28 UNEF | .156 | (4.0) |
| 10S | .719 | (18.3) | 1.031 | (26.2) | .130 | (3.3) | .593 | (15.1) | 5/8-24 UNEF | .156 | (4.0) |
| 12S | .812 | (20.6) | 1.125 | (28.6) | .130 | (3.3) | .593 | (15.1) | 3/4-20 UNEF | .156 | (4.0) |
| 12 | .812 | (20.6) | 1.125 | (28.6) | .130 | (3.3) | .781 | (19.8) | 3/4-20 UNEF | .156 | (4.0) |
| 14S | .906 | (23.0) | 1.219 | (31.0) | .130 | (3.3) | .593 | (15.1) | 7/8-20 UNEF | .156 | (4.0) |
| 14 | .906 | (23.0) | 1.219 | (31.0) | .130 | (3.3) | .781 | (19.8) | 7/8-20 UNEF | .156 | (4.0) |
| 16S | .969 | (24.6) | 1.312 | (33.3) | .130 | (3.3) | .593 | (15.1) | 1-20 UNEF | .156 | (4.0) |
| 16 | .969 | (24.6) | 1.312 | (33.3) | .130 | (3.3) | .781 | (19.8) | 1-20 UNEF | .156 | (4.0) |
| 18 | 1.062 | (27.0) | 1.406 | (35.7) | .130 | (3.3) | .781 | (19.8) | 1 1/8-18 UNEF | .203 | (5.2) |
| 20 | 1.156 | (29.4) | 1.531 | (38.9) | .130 | (3.3) | .781 | (19.8) | 1 1/4-18 UNEF | .203 | (5.2) |
| 22 | 1.250 | (31.8) | 1.656 | (42.1) | .130 | (3.3) | .781 | (19.8) | 1 3/8-18 UNEF | .203 | (5.2) |
| 24 | 1.375 | (34.9) | 1.781 | (45.2) | .157 | (4.0) | .843 | (21.4) | 1 1/2-18 UNEF | .203 | (5.2) |
| 28 | 1.562 | (39.7) | 2.031 | (51.6) | .157 | (4.0) | .843 | (21.4) | 1 3/4-18 UNS | .203 | (5.2) |
| 32 | 1.750 | (44.5) | 2.281 | (57.9) | .183 | (4.6) | .906 | (23.0) | 2-18 UNS | .359 | (9.1) |
| 36 | 1.938 | (49.2) | 2.531 | (64.3) | .183 | (4.6) | .906 | (23.0) | 2 1/4-16 UN | .359 | (9.1) |
| 40 | 2.188 | (55.6) | 2.781 | (70.6) | .183 | (4.6) | .906 | (23.0) | 2 1/2-16 UN | .359 | (9.1) |
| 44 | 2.375 | (60.3) | 3.031 | (77.0) | .183 | (4.6) | .906 | (23.0) | 2 3/4-16 UN | .359 | (9.1) |
| 48 | 2.625 | (66.7) | 3.281 | (83.3) | .183 | (4.6) | .906 | (23.0) | 3-16 UN | .359 | (9.1) |

APPLICATION NOTES

1. Assembly to be identified with manufacturer's name and part number, space permitting.
2. For complete dimensions, see the applicable Military Specification.
3. Metric dimensions (mm) are in parentheses.

Dimensions in inches (millimeters) and are subject to change without notice.

MS3115 Dummy Storage Receptacle Bayonet Coupling



| |
|-------------------------|
| MATING CONNECTOR |
| MIL-DTL-26482 |

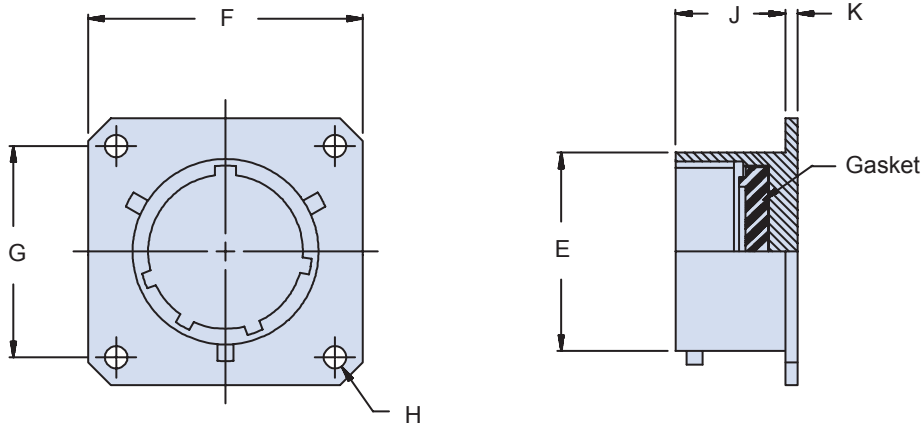
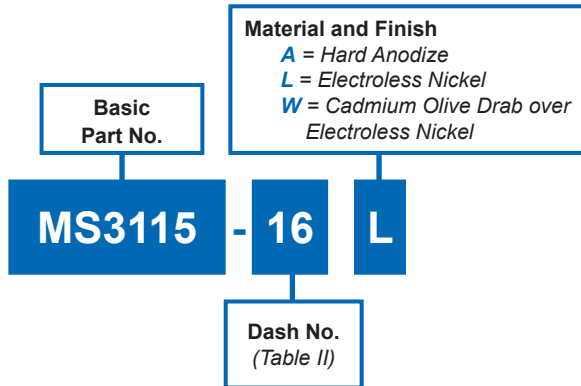


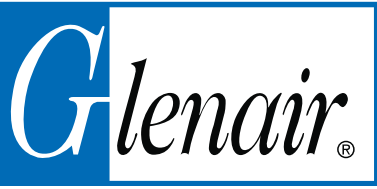
TABLE I: Dash Number, Cable Entry and Backshell Dimensions

| Shell Size | E | | F Max | G Dim | Ø H | | J | | K | | | |
|------------|-------|--------|-------|--------|-------|--------|-------|-------|-------|--------|------|-------|
| | ±.003 | (.1) | | | ±.005 | (0.1) | ±.016 | (.4) | ±.016 | (.4) | | |
| 8 | .471 | (12.0) | .828 | (21.0) | .594 | (15.1) | .120 | (3.0) | .478 | (12.1) | .062 | (1.6) |
| 10 | .588 | (14.9) | .954 | (24.2) | .719 | (18.3) | .120 | (3.0) | .478 | (12.1) | .062 | (1.6) |
| 12 | .748 | (19.0) | 1.047 | (26.6) | .812 | (20.6) | .120 | (3.0) | .478 | (12.1) | .062 | (1.6) |
| 14 | .873 | (22.2) | 1.141 | (29.0) | .906 | (23.0) | .120 | (3.0) | .478 | (12.1) | .062 | (1.6) |
| 16 | .998 | (25.3) | 1.234 | (31.3) | .969 | (24.6) | .120 | (3.0) | .478 | (12.1) | .062 | (1.6) |
| 18 | 1.123 | (28.5) | 1.328 | (33.7) | 1.062 | (27.0) | .120 | (3.0) | .478 | (12.1) | .062 | (1.6) |
| 20 | 1.248 | (31.7) | 1.453 | (36.9) | 1.156 | (29.4) | .120 | (3.0) | .572 | (14.5) | .094 | (2.4) |
| 22 | 1.373 | (34.9) | 1.578 | (40.1) | 1.250 | (31.8) | .120 | (3.0) | .572 | (14.5) | .094 | (2.4) |
| 24 | 1.498 | (38.0) | 1.703 | (43.3) | 1.375 | (34.9) | .147 | (3.7) | .605 | (15.4) | .094 | (2.4) |

APPLICATION NOTES

1. Assembly to be identified with manufacturer's name and part number, space permitting.
2. For complete dimensions, see the applicable Military Specification.
3. Metric dimensions (mm) are in parentheses.

Dimensions in inches (millimeters) and are subject to change without notice.



MS3180 and MS3181 Protective Plug and Receptacle Covers

MATING CONNECTOR
MIL-DTL-26482

Attachment Option
C = Chain
N = Chain with Ring (MS3181 Only)
R = Wire Rope

Length
L = Chain or Rope Length of 5 Inches (127.0 mm). Omit for Standard (See K in Table I)

MS3180 - 12 C A L

Basic Part Number
 MS3180 = Plug Cover
 MS3181 = Receptacle Cover

Shell Size
 (Table I)

Finish
A = Anodize

Prior Revision D Available:

Finish is Cadmium Olive Drab

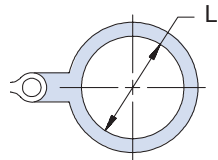
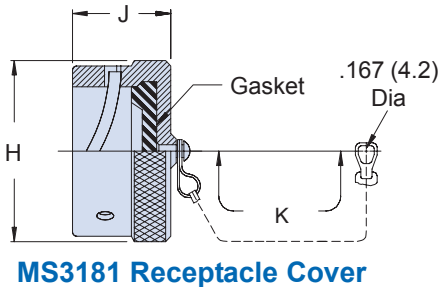
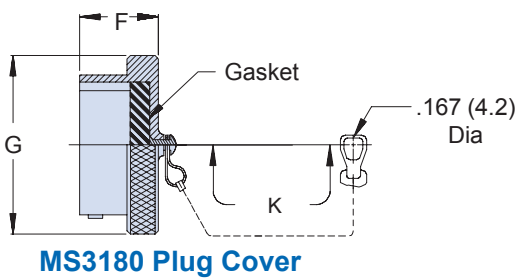
Attachment Option (Omit for None)
C = Chain
N = Chain with Ring (MS3181 Only)

MS3180 - 12 C

Basic Part Number
 MS3180 = Plug Cover
 MS3181 = Receptacle Cover

Shell Size

NOTE: prior revision parts will NOT carry the "JAN" marking



MS3181 Optional Ring Attachment

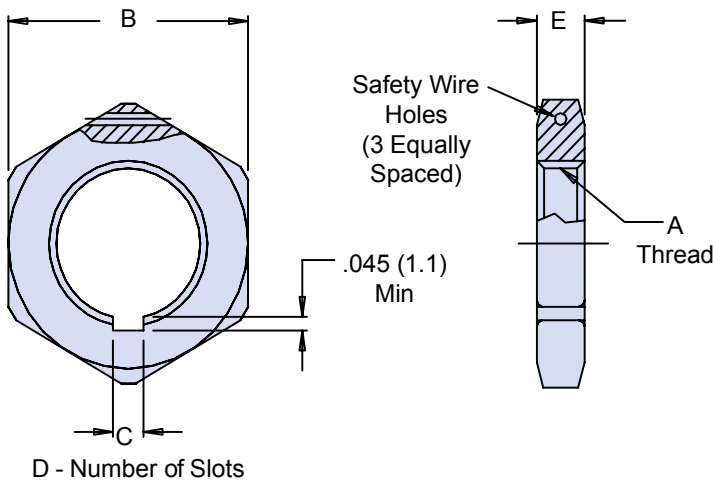
TABLE I: Shell Size, Dimensions and Attachment

| Shell Size | F Max | G Dia Max | H Dia Max | J Max | K Standard Length (Inches) | L Min |
|------------|-------------|--------------|--------------|-------------|----------------------------|--------------|
| 8 | .562 (14.3) | .719 (18.3) | .734 (18.6) | .562 (14.3) | 3.00 (76.2) | .578 (14.7) |
| 10 | .562 (14.3) | .844 (21.4) | .859 (21.8) | .562 (14.3) | 3.00 (76.2) | .703 (17.9) |
| 12 | .562 (14.3) | 1.000 (25.4) | 1.000 (25.4) | .562 (14.3) | 3.50 (88.9) | .891 (22.6) |
| 14 | .562 (14.3) | 1.125 (28.6) | 1.125 (28.6) | .562 (14.3) | 3.50 (88.9) | 1.016 (25.8) |
| 16 | .562 (14.3) | 1.250 (31.8) | 1.250 (31.8) | .562 (14.3) | 3.50 (88.9) | 1.141 (29.0) |
| 18 | .562 (14.3) | 1.375 (34.9) | 1.375 (34.9) | .562 (14.3) | 3.50 (88.9) | 1.266 (32.2) |
| 20 | .625 (15.9) | 1.500 (38.1) | 1.500 (38.1) | .562 (14.3) | 4.00 (101.6) | 1.391 (35.3) |
| 22 | .625 (15.9) | 1.625 (41.3) | 1.625 (41.3) | .562 (14.3) | 4.00 (101.6) | 1.516 (38.5) |
| 24 | .658 (16.7) | 1.750 (44.5) | 1.750 (44.5) | .602 (15.3) | 4.00 (101.6) | 1.641 (41.7) |

- APPLICATION NOTES**
1. Assembly identified with manufacturer's name and part number, space permitting.
 2. For complete dimensions, see the applicable Military Specification.
 3. Metric dimensions (mm) are in parentheses.

Dimensions in inches (millimeters) and are subject to change without notice.
 Mil-Spec Backshells and Accessories U.S. CAGE Code 06324

MS3186 Jam Nut with Safety Wire Holes



| | | |
|--------------------------|--|-----------------|
| Basic Part Number | Material A = Aluminum S = Steel C = CRES | Dash No. |
| MS3186 | A | - 113 |
| | | B |

Finish

- A = Black Anodize (Material 'A' only)
- B = Black Cadmium over Corrosion Resistant Steel (Material 'C' only)
- C = Clear Cadmium (Material 'A' only)
- E = Electrodeposited Nickel
- N = Electroless Nickel (Space Use Only)
- P = Passivated (Material 'C' only)
- T = Tin Plate (Material 'S' only)
- W = 1,000 Hour Cadmium Olive Drab over Electroless Nickel

TABLE I: Reference for Connector Shell Size

| Dash No. | AS50151 | MIL-DTL-26482 | MIL-DTL-26500 | MIL-DTL-83723 I | MIL-DTL-83723 III | MIL-DTL-38999 I | MIL-DTL-38999 II | MIL-DTL-28840 | MIL-DTL-27599 |
|----------|-----------|---------------|---------------|-----------------|-------------------|-----------------|------------------|---------------|---------------|
| 101 | 8S | -- | -- | -- | -- | -- | -- | -- | -- |
| 102 | -- | 8 | -- | 8 | -- | -- | -- | -- | -- |
| 103 | 10S, 10SL | -- | -- | -- | -- | -- | -- | -- | -- |
| 104 | -- | -- | 8 | -- | -- | -- | -- | -- | -- |
| 105 | -- | -- | -- | -- | 8 | -- | -- | -- | -- |
| 106 | -- | 10 | -- | 10 | -- | 9 | -- | -- | 9 |
| 107 | 12S, 12 | -- | 10 | -- | 10 | -- | -- | -- | -- |
| 108 | -- | -- | -- | -- | -- | 11 | -- | -- | 11 |
| 109 | 14S, 14 | 12 | -- | 12 | -- | -- | 8 | 11 | 8 |
| 110 | -- | -- | 12 | -- | 12 | -- | -- | -- | -- |
| 111 | 16S, 16 | 14 | 14 | 14 | 14 | 13 | 10 | 13 | 10, 13 |
| 112 | -- | -- | 16 | -- | 16 Bay | -- | -- | -- | -- |
| 113 | 18 | 16 | -- | 16 | 16 Thd | 15 | 12 | -- | 12, 15 |
| 114 | -- | -- | -- | -- | -- | -- | -- | 15 | -- |
| 115 | -- | -- | 18 | -- | -- | -- | -- | -- | 14, 17 |
| 116 | 20 | 18 | -- | 18 | 18 | 17 | 14 | 17 | -- |
| 117 | 22 | 20 | 20 | 20 | 20 | 19 | 16 | -- | 16, 19 |
| 118 | -- | -- | -- | -- | -- | -- | -- | 19 | -- |
| 119 | -- | -- | 22 | -- | -- | -- | -- | -- | -- |
| 120 | 24 | 22 | -- | 22 | 22 | 21 | 18 | -- | 18, 21 |
| 121 | -- | 24 | 24 | 24 | 24 | 23 | 20 | 23 | 20, 23 |
| 122 | 28 | -- | -- | -- | -- | 25 | 22 | 25 | 22, 25 |
| 123 | -- | -- | -- | -- | -- | -- | 24 | -- | 24 |
| 124 | -- | -- | -- | -- | -- | -- | -- | 29 | -- |
| 125 | 32 | -- | -- | -- | -- | -- | -- | -- | -- |
| 126 | -- | -- | -- | -- | -- | -- | -- | 33 | -- |
| 127 | 36 | -- | -- | -- | -- | -- | -- | -- | -- |
| 128 | 40 | -- | -- | -- | -- | -- | -- | -- | -- |
| 129 | 44 | -- | -- | -- | -- | -- | -- | -- | -- |
| 130 | 48 | -- | -- | -- | -- | -- | -- | -- | -- |

Dimensions in inches (millimeters) and are subject to change without notice.



MS3186 Jam Nut with Safety Wire Holes

TABLE I: Reference for Connector Shell Size

| Dash No. | A Thread | B | | C | | D Min. No. of Slots | Ø E | |
|----------|---------------------|-------|--------|------|-------|---------------------|-------|-------|
| | | ±.017 | (.4) | Max | | | ±.017 | (.4) |
| 101 | .500 -28 UNEF-2B | .687 | (17.4) | None | | None | .125 | (3.2) |
| 102 | .5625 - 24 UNEF-2B | .750 | (19.1) | .135 | (3.4) | 2 | .125 | (3.2) |
| 103 | .625 - 24 UNEF-2B | .812 | (20.6) | None | | None | .125 | (3.2) |
| 104 | .625 - 20 UN-2B | .812 | (20.6) | .135 | (3.4) | 2 | .125 | (3.2) |
| 105 | .625 - 20 UN-2B | .812 | (20.6) | None | | 2 | .125 | (3.2) |
| 106 | .6875 - 24 UNEF-2B | .875 | (22.2) | .135 | (3.4) | 1 | .125 | (3.2) |
| 107 | .750 - 20 UNEF-2B | .937 | (23.8) | None | | 2 | .125 | (3.2) |
| 108 | .8125 - 20 UNEF-2B | 1.000 | (25.4) | .135 | (3.4) | 1 | .125 | (3.2) |
| 109 | .875 - 20 UNEF-2B | 1.062 | (27.0) | .135 | (3.4) | 1 | .125 | (3.2) |
| 110 | .9375 - 20 UNEF-2B | 1.123 | (28.5) | None | | 1 | .125 | (3.2) |
| 111 | 1.000 - 20 UNEF-2B | 1.188 | (30.2) | .135 | (3.4) | 1 | .125 | (3.2) |
| 112 | 1.125 - 20 UN-2B | 1.312 | (33.3) | .135 | (3.4) | 1 | .125 | (3.2) |
| 113 | 1.125 - 18 UNEF-2B | 1.312 | (33.3) | .135 | (3.4) | 1 | .125 | (3.2) |
| 114 | 1.1875 - 18 UNEF-2B | 1.375 | (34.9) | None | | None | .125 | (3.2) |
| 115 | 1.250 - 20 UN-2B | 1.438 | (36.5) | None | | None | .125 | (3.2) |
| 116 | 1.250 - 18 UNEF-2B | 1.438 | (36.5) | .135 | (3.4) | 1 | .125 | (3.2) |
| 117 | 1.375 - 18 UNEF-2B | 1.562 | (39.7) | .192 | (4.9) | 1 | .125 | (3.2) |
| 118 | 1.4375 - 18 UNEF-2B | 1.625 | (41.3) | None | | None | .125 | (3.2) |
| 119 | 1.500 - 20 UN-2B | 1.688 | (42.9) | None | | None | .125 | (3.2) |
| 120 | 1.500 - 18 UNEF-2B | 1.688 | (42.9) | .192 | (4.9) | 1 | .125 | (3.2) |
| 121 | 1.625 - 18 UNEF-2B | 1.812 | (46.0) | .192 | (4.9) | 1 | .125 | (3.2) |
| 122 | 1.750 - 18 UNS-2B | 2.000 | (50.8) | .192 | (4.9) | 1 | .125 | (3.2) |
| 123 | 1.875 - 16 UN-2B | 2.125 | (54.0) | None | | None | .125 | (3.2) |
| 124 | 1.9375 - 16 UN-2B | 2.187 | (55.5) | None | | None | .189 | (4.8) |
| 125 | 2.000 - 18 UNS-2B | 2.250 | (57.2) | None | | None | .189 | (4.8) |
| 126 | 2.125 - 16 UN-2B | 2.375 | (60.3) | None | | None | .189 | (4.8) |
| 127 | 2.250 - 16 UN-2B | 2.500 | (63.5) | None | | None | .189 | (4.8) |
| 128 | 2.500 - 16 UN-2B | 2.750 | (69.9) | None | | None | .189 | (4.8) |
| 129 | 2.750 - 16 UN-2B | 3.000 | (76.2) | None | | None | .189 | (4.8) |
| 130 | 3.000 - 16 UN-2B | 3.250 | (82.6) | None | | None | .189 | (4.8) |

APPLICATION NOTES

1. Assembly identified with manufacturer's name and part number, space permitting.
2. For complete dimensions, see the applicable Military Specification.
3. Metric dimensions (mm) are in parentheses.

Dimensions in inches (millimeters) and are subject to change without notice.

M29504/04

181-002

Size 16 MIL-DTL-38999 Series III Type
Fiber Optic Pin Terminus



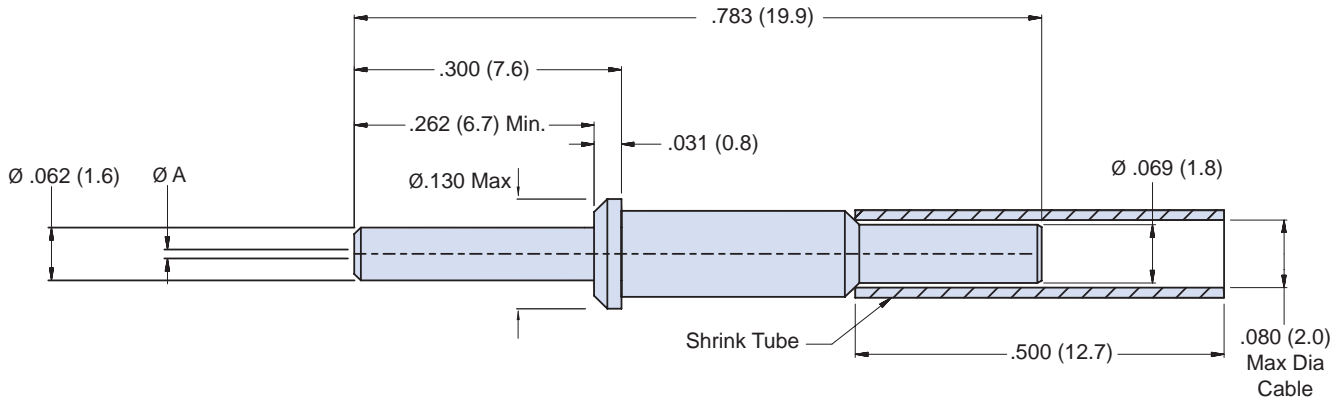
Misc. Backshells
and Accessories



Ultra low dB loss QPL'd pin terminus for MIL-DTL-38999 Series III



| Part Number | Fiber Size Core/Cladding/Coating | Ø A (Microns) | Ref. M29504/04-XXXX |
|--------------|----------------------------------|---------------|---------------------|
| 181-002-125 | 9/125 (Singlemode) | 125.5 | M29504/04-4208 |
| 181-002-126S | 9/125 (Singlemode) | 126.0 | M29504/04-4209 |
| 181-002-126 | 50/125 & 62.5/125 | 126.0 | M29504/04-4210 |
| 181-002-127 | 50/125 & 62.5/125 | 127.0 | M29504/04-4040 |
| 181-002-142 | 100/140 | 142.0 | M29504/04-4043 |
| 181-002-144 | 100/140 | 144.0 | N/A |
| 181-002-145 | 100/140 | 145.0 | M29504/04-4044 |
| 181-002-156 | 62.5/125/155 (Polyimide) | 156.0 | M29504/04-4211 |
| 181-002-157 | 62.5/125/155 (Polyimide) | 157.0 | M29504/04-4212 |
| 181-002-173 | 100/140/172 (Polyimide) | 173.0 | M29504/04-4087 |
| 181-002-175 | 100/140/172 (Polyimide) | 175.0 | M29504/04-4213 |
| 181-002-231 | 200/230 | 231.0 | N/A |
| 181-002-236 | 200/233 | 236.0 | M29504/04-4214 |
| 181-002-286 | 200/280 | 286.0 | M29504/04-4215 |
| 181-002-448 | 400/440 | 448.0 | M29504/04-4216 |
| 181-002-533 | 486/500 | 533.0 | N/A |



Material and Finish

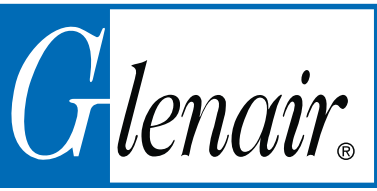
Ferrule: Zirconia Ceramic
Terminus Assembly: Stainless Steel/Passivate
Shrink Tube: Kynar

Notes

See Glenair assembly procedure GAP-015 for complete termination instructions.
Recommended Insertion/Extraction tool: P/N M81969/14-03 or equivalent

Dimensions in inches (millimeters) and are subject to change without notice.





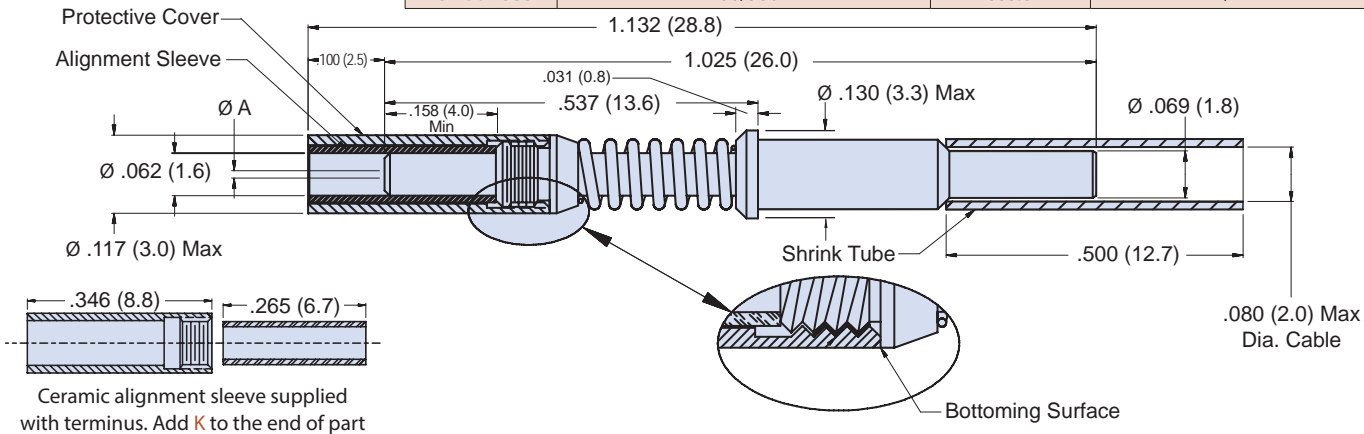
M29504/05
181-001
Size 16 MIL-DTL-38999 Series III Type
Fiber Optic Socket Terminus



Ultra low dB loss QPL'd socket terminus for MIL-DTL-38999 Series III



| Part Number | Fiber Size Core/Cladding/Coating (Microns) | Ø A (Microns) | Ref. M29504/05-XXXX |
|--------------|---|---------------|---------------------|
| 181-001-125 | 9/125 (Singlemode) | 125.5 | M29504/05-4237 |
| 181-001-126S | 9/125 (Singlemode) | 126.0 | M29504/05-4238 |
| 181-001-126 | 50/125 & 62.5/125 | 126.0 | M29504/05-4239 |
| 181-001-127 | 50/125 & 62.5/125 | 127.0 | M29504/05-4046 |
| 181-001-142 | 100/140 | 142.0 | M29504/05-4049 |
| 181-001-144 | 100/140 | 144.0 | N/A |
| 181-001-145 | 100/140 | 145.0 | M29504/05-4050 |
| 181-001-156 | 62.5/125/155 (Polyimide) | 156.0 | M29504/05-4240 |
| 181-001-157 | 62.5/125/155 (Polyimide) | 157.0 | M29504/05-4241 |
| 181-001-173 | 100/140/172 (Polyimide) | 173.0 | M29504/05-4088 |
| 181-001-175 | 100/140/172 (Polyimide) | 175.0 | M29504/05-4242 |
| 181-001-231 | 200/230 | 231.0 | N/A |
| 181-001-236 | 200/233 | 236.0 | M29504/05-4243 |
| 181-001-286 | 200/280 | 286.0 | M29504/05-4244 |
| 181-001-448 | 400/440 | 448.0 | M29504/05-4245 |
| 181-001-533 | 486/500 | 533.0 | N/A |



Ceramic alignment sleeve supplied with terminus. Add **K** to the end of part number development to supply with optional stainless steel alignment sleeve e.g. 181-001-126**K**.

Table II: Accessories

| Part Number | Description |
|-------------|----------------------------------|
| 181-001-S | Ceramic Alignment Sleeve |
| 181-001-K | Stainless Steel Alignment Sleeve |
| 181-001-C | Protective cover |

Material and Finish
 Ferrule: Zirconia Ceramic
 Alignment Sleeve: Zirconia Ceramic or Stainless Steel/Passivate.
 Terminus Assembly: Stainless Steel/Passivate
 Spacer, Spring, and Cover: Stainless Steel/Passivate • Shrink Tube: Kynar

Notes
 Alignment Sleeve & Protective Cover can also be ordered separately (Table II).
 See assembly procedure GAP-015 for complete termination instructions.
 Recommended Insertion/Extraction tool: P/N M81969/14-03 or equivalent

Dimensions in inches (millimeters) and are subject to change without notice.

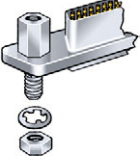
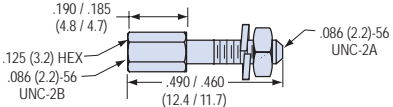
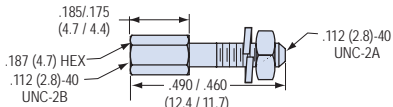
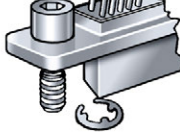
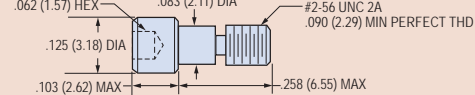
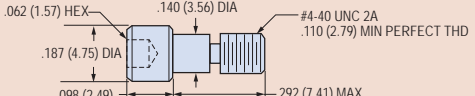
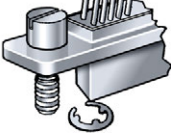
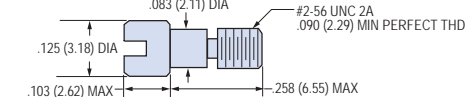
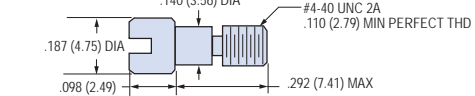
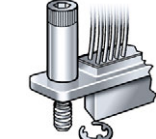
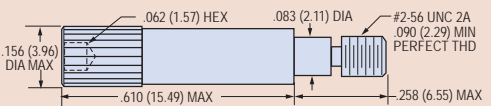

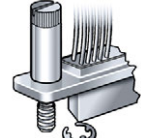
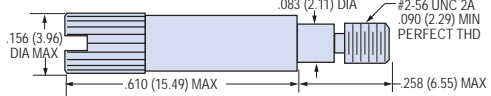
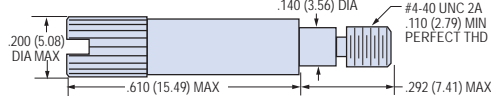
© 2013 Glenair, Inc. U.S. CAGE Code 06324 Printed in U.S.A.

MIL-DTL-83513/05 Micro-D Jackscrew Kits



Order One Kit Per Connector. Jackpost kits contain two posts, two hex nuts and 2 lockwashers. Jackscrew kits contain 2 screws and 2 e-rings. Packaged one kit (two screws or posts) per bag.

Mil Spec Hardware Kits feature 300 series stainless steel.

| MIL SPEC JACKSCREW KITS | | | | |
|---|---|----------------------|---------------------|--|
| Configuration | Connector Size, Thread Size | Mil Spec Part Number | Glenair Part Number | Dimensions |
| | | | | |
|  Jackpost | Sizes 9 to 69 Contacts. Mil Spec Size A to G #2-56 UNC | M83513/05-07 | 080-00-00-100 |  |
| | Size 100 Only Mil Spec Size H #4-40 UNC | M83513/05-17 | 080-00-00-101 |  |
|  Hex Head Jackscrew Low Profile | Sizes 9 to 69 Contacts. Mil Spec Size A to G #2-56 UNC-2A | M83513/05-02 | 080-00-00-502 |  |
| | Size 100 Only Mil Spec Size H #4-40 UNC-2A | M83513/05-12 | 080-00-00-512 |  |
|  Slot Head Jackscrew Low Profile | Sizes 9 to 69 Contacts. Mil Spec Size A to G #2-56 UNC-2A | M83513/05-05 | 080-00-00-505 |  |
| | Size 100 Only Mil Spec Size H #4-40 UNC-2A | M83513/05-15 | 080-00-00-515 |  |
|  Hex Head Jackscrew Extended | Sizes 9 to 69 Contacts. Mil Spec Size A to G #2-56 UNC-2A | M83513/05-03 | 080-00-00-503 |  |
| | Size 100 Only Mil Spec Size H #4-40 UNC-2A | M83513/05-13 | 080-00-00-513 |  |
|  Slot Head Jackscrew Extended | Sizes 9 to 69 Contacts. Mil Spec Size A to G #2-56 UNC-2A | M83513/05-06 | 080-00-00-506 |  |
| | Size 100 Only Mil Spec Size H #4-40 UNC-2A | M83513/05-16 | 080-00-00-516 |  |

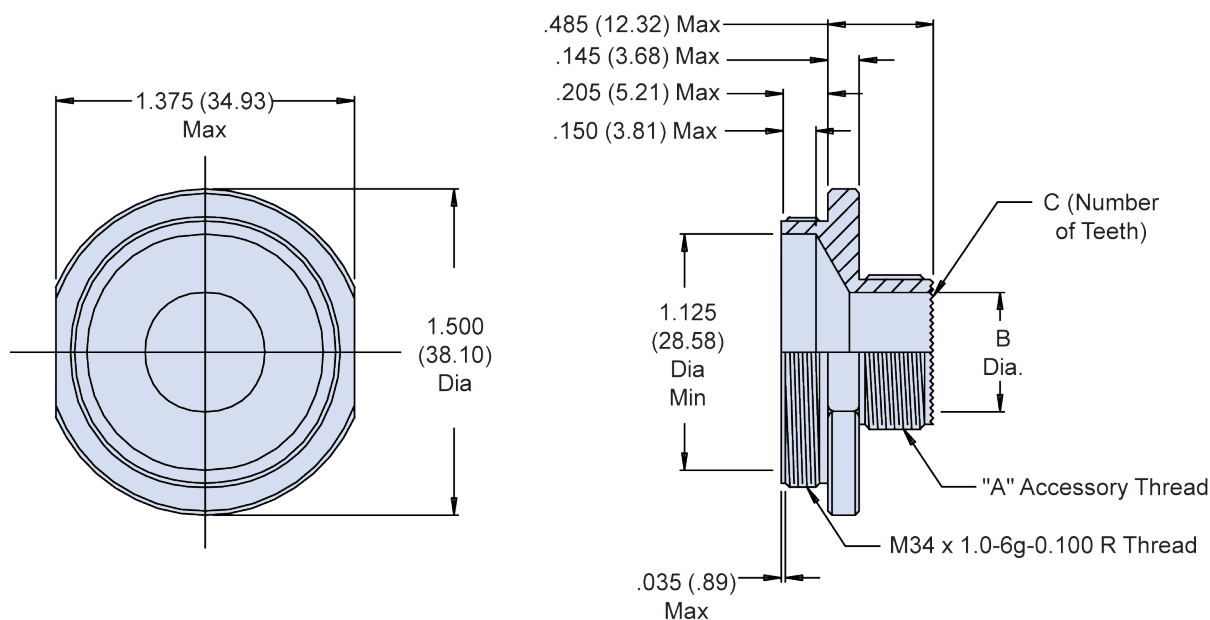
Dimensions in inches (millimeters) and are subject to change without notice.



M83538/9S Straight Adapter and Extender

CONNECTOR DESIGNATOR:

MIL-DTL-83538/4

**Basic
Part Number**
**Shell
Size**
M83538/9S - 09

TABLE I: Shell Size, Thread, Teeth and Dimensions

| Shell Size | "A" Accessory Thread | B Dia ±.005 (0.13) | C Number of Teeth |
|------------|----------------------|-----------------------|-------------------|
| 09 | M12x1.0-6g 0.100R | .332 (8.18) | 12 |
| 11 | M15x1.0-6g 0.100R | .440 (11.18) | 16 |
| 13 | M18x1.0-6g 0.100R | .559 (14.20) | 20 |
| 15 | M22x1.0-6g 0.100R | .716 (18.19) | 24 |
| 17 | M25x1.0-6g 0.100R | .834 (21.18) | 28 |
| 19 | M28x1.0-6g 0.100R | .952 (24.18) | 32 |
| 21 | M31x1.0-6g 0.100R | 1.070 (27.18) | 36 |
| 23 | M34x1.0-6g 0.100R | 1.188 (30.18) | 40 |

APPLICATION NOTES

1. For complete dimensions see the applicable Military Specification.
2. Material is corrosion resistant steel.
3. Metric dimensions (mm) are in parentheses.

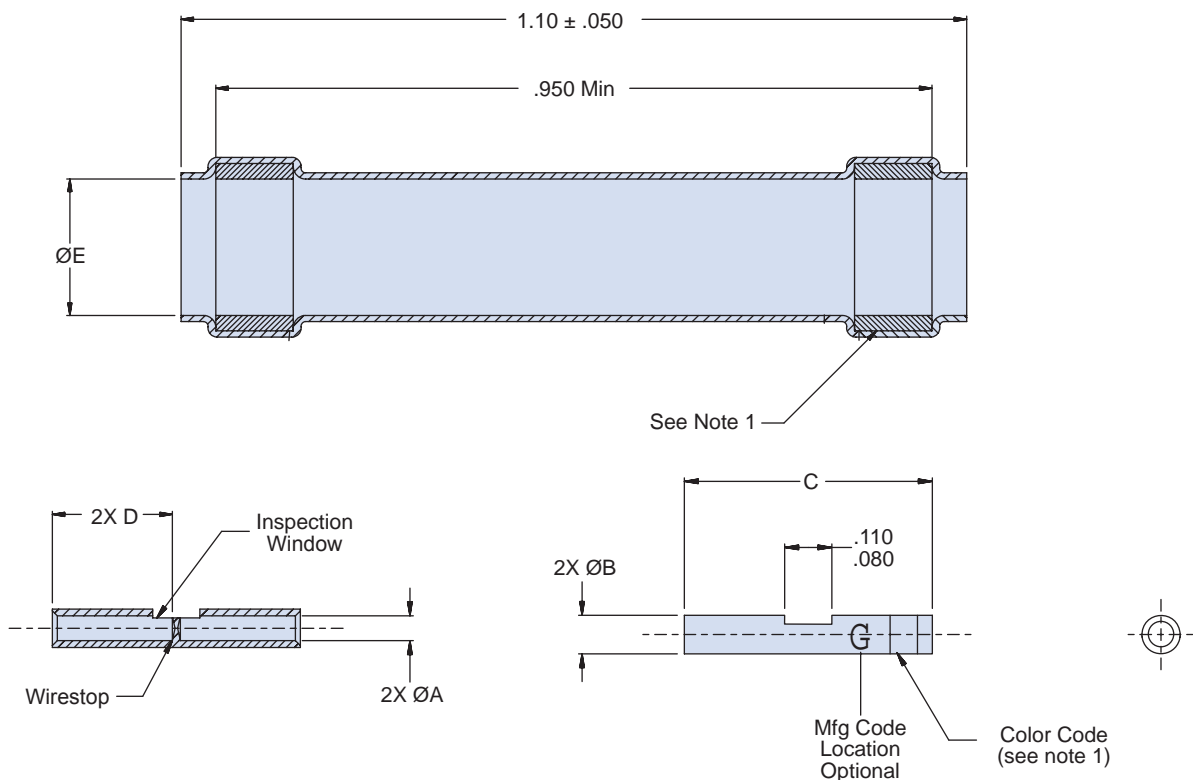
Dimensions in inches (millimeters) and are subject to change without notice.

M81824/1 • 070-001
MIL-Qualified Splice
In-Line, Insulated, Environmental



Misc. Backshells
and Accessories

| | |
|-----------------------|--|
| Product Series | Size <i>(Table I, Page G-18)</i> |
| M81824/1 | 1 |



APPLICATION NOTES

1. For complete dimensions see the applicable Military Specification.
2. One seal ring must be color coded per Table I. Splice to have matching circumferential color stripe.
3. Metric dimensions (mm) are in parentheses.
4. Material and Finish:
 Splice – Copper UNS C10100 ASTM F68 or ASTM B187.
 Finish – Tin plate per ASTM B 545, .00010 min thick over nickel per AMS-QQ-N-290.
 Sealing material – Thermally stabilized thermoplastic.
 Shrink Sleeve – transparent, heat shrinkable, cross-linked polyvinylidene fluoride per AMS-DTL-23053/8.

Dimensions in inches (millimeters) and are subject to change without notice.

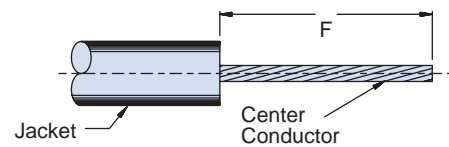


| Size | Wire Range | A Dia | B Dia | C | D | E Dia | | Mil Ref | Color Code (note 1) |
|------|------------|-------------|-------------|--------------|-------------|------------------|--------------------|------------|---------------------|
| | | | | | | Min (Free State) | After Recovery Ref | | |
| 01 | 20–26 AWG | .050 (1.27) | .080 (2.03) | .510 (12.95) | .245 (6.22) | .085 (2.2) | .025 (0.6) | M81824/1-1 | Red |
| | | .045 (1.14) | .075 (1.90) | .490 (12.45) | .225 (5.72) | | | | |
| 02 | 16–20 AWG | .069 (1.75) | .106 (2.69) | .585 (14.86) | .280 (7.11) | .110 (2.8) | .025 (0.6) | M81824/1-2 | Blue |
| | | .064 (1.63) | .101 (2.57) | .565 (14.35) | .260 (6.60) | | | | |
| 03 | 12–16 AWG | .102 (2.59) | .153 (3.89) | .585 (14.86) | .280 (7.11) | .170 (4.3) | .025 (0.6) | M81824/1-3 | Yellow |
| | | .097 (2.46) | .147 (3.74) | .565 (14.35) | .260 (6.60) | | | | |

ASSEMBLY INSTRUCTIONS

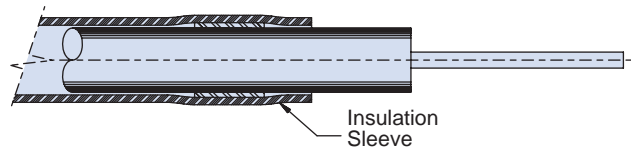
Step A

- Strip wires per Table II. Ends must be cut cleanly and at right angles to the axial plane of the wire. The wire must not be deformed while making cuts.



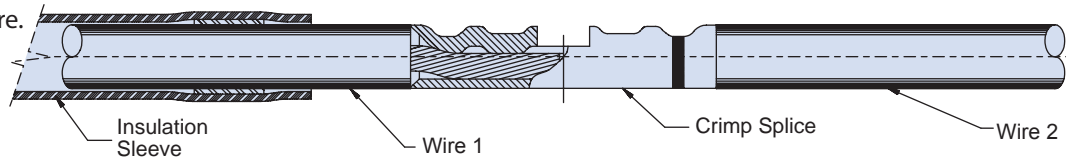
Step B

- Slide Insulation Sleeve onto one of the wires



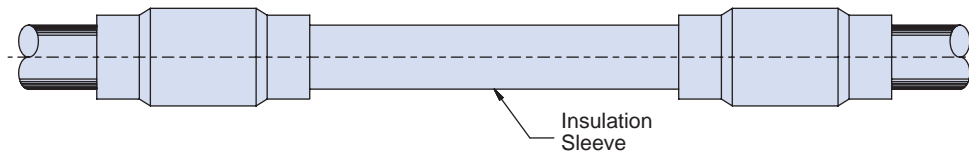
Step C

- Insert one wire into barrel of crimp splice and crimp using crimp tool and dies listed in Table II.
- Repeat for second wire.



Step D

- Slide Insulation Sleeve over the splice until centered.
- Apply heat using acceptable heat source for military equipment as qualified by the services for Class 2 splices. Sealing rings shall melt and insulation sleeve shall seal around crimp splice and wires.



| Part No. | Wire Range | F | Crimp Tool Data |
|-----------|----------------|-----|---|
| 070-00101 | 20, 22, 24, 26 | .24 | Crimp Tool: M22520/5-01 Crimp Dies: M22520/5-102, -103 |
| 070-00102 | 16, 18, 20 | .28 | OR Crimp Tool: M22520/10-01 Crimp Dies: M22520/10-103, -104 |
| 070-00103 | 12, 14, 16 | .28 | OR Crimp Tool: M22520/37-01 Crimp Dies: None |

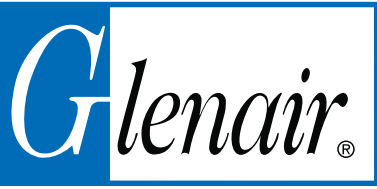
Dimensions in inches (millimeters) and are subject to change without notice.

Backshell-to-Connector Assembly Tools



| Industry Specification Number | Part Identification Number | Military Part Number Superseded | Glenair Commercial Part Number | Description | Glenair Connector Designator/Interface | Page No. |
|-------------------------------|----------------------------|---------------------------------|--------------------------------|---|---|----------|
| -- | -- | -- | TG37 | Connector Wrench for MIL-DTL-26500 and MIL-DTL-83723 Series III | MIL-DTL-26500; MIL-DTL-83723 Series III | H-2 |
| -- | MS3481 | -- | TG39 | Connector Wrench for MIL-DTL-26482, Ser. I & II; MIL-DTL-83723, Ser. I & NAS 1599 | MIL-DTL-26482 Series I & II; MIL-DTL-83723 Series I; NAS 1599 | H-3 |
| -- | -- | -- | TG47 | Connector Wrench for MIL-DTL-22992, Classes C, J and R | MIL-DTL-22992, Classes C, J and R | H-4 |
| -- | -- | -- | TG48 | Connector Wrench for MIL-DTL-38999, Series II | MIL-DTL-38999 Series II | H-5 |
| -- | -- | -- | TG52 | Connector Wrench for MIL-C-81511, Series II and IV | MIL-C-81511 Series II & IV | H-6 |
| -- | -- | -- | TG60 | Connector Wrench for MIL-DTL-27599 and MIL-DTL-38999, Series I | MIL-DTL-27599; MIL-DTL-38999 Series I | H-7 |
| -- | -- | -- | TG83 | Wrench for SJT Connectors (LN29729) | LN29729 | H-8 |
| -- | -- | -- | TG90 | Connector Wrench For MIL-DTL-38999, Ser III | MIL-DTL-38999 Series III | H-9 |
| -- | -- | -- | 600B005 | Plug and Receptacle Holder for MIL-DTL-501555 Series MS3100 Solder & Crimp and MIL-DTL-83723, Series II | MIL-DTL-50155 Series MS3100 Solder and Crimp; MIL-DTL-83723 Series II | H-10 |
| -- | -- | -- | 600C005 | Plug and Receptacle Holder for MIL-DTL-22992 Classes C, J and R | MIL-DTL-22992 Classes C, J and R | H-11 |
| -- | -- | -- | 600D005 | Plug and Receptacle Holder for MIL-DTL-26482, Series I and II, MIL-DTL-83723, Series I and NAS 1599 | MIL-DTL-26482 Series I & II; MIL-DTL-83723 Series I; NAS 1599 | H-12 |
| -- | -- | -- | 600E005 | Plug and Receptacle Holder for MIL-DTL-26500 and MIL-DTL-83723 Series III | MIL-DTL-26500; MIL-DTL-83723 Series III | H-13 |
| -- | -- | -- | 600F005 | Plug and Receptacle Holder for MIL-DTL-27599 and MIL-DTL-38999 Series I | MIL-DTL-27599; MIL-DTL-38999 Series I | H-14 |
| -- | -- | -- | 600FF005 | Plug and Receptacle Holder for MIL-DTL-38999, Series II | MIL-DTL-38999 Series II | H-15 |
| -- | -- | -- | 600G005 | Plug and Receptacle Holder for MIL-DTL-28840 | MIL-DTL-28840 | H-16 |
| -- | -- | -- | 600H005 | Plug and Receptacle Holder for MIL-DTL-38999, Series III | MIL-DTL-38999 Series III | H-17 |
| -- | -- | -- | 600HH005 | Plug and Receptacle Holder for MIL-DTL-38999, Series IV | MIL-DTL-38999 Series IV | H-18 |
| -- | -- | -- | 600J005 | Plug and Receptacle Holder for MIL-DTL-81511, Series I, II, III and IV | MIL-DTL-81511 Series I, II, III & IV | H-19 |

Dimensions in inches (millimeters) and are subject to change without notice.



TG37 Connector Wrench MIL-DTL-26500, MIL-DTL-83723 Series III

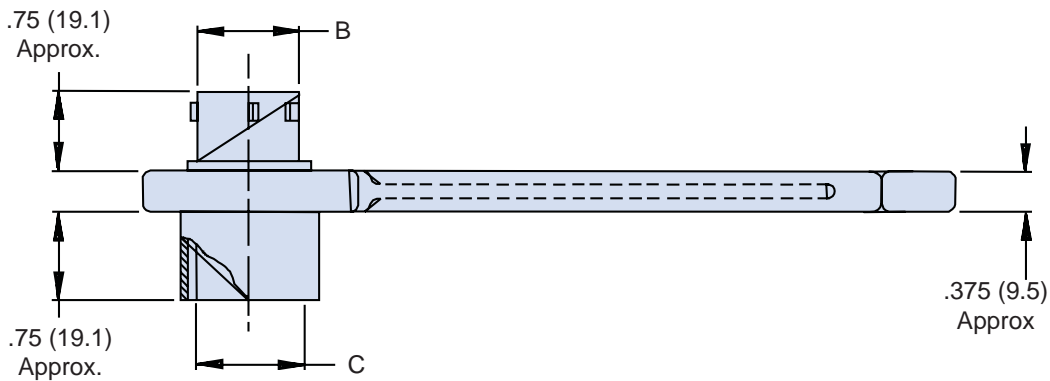
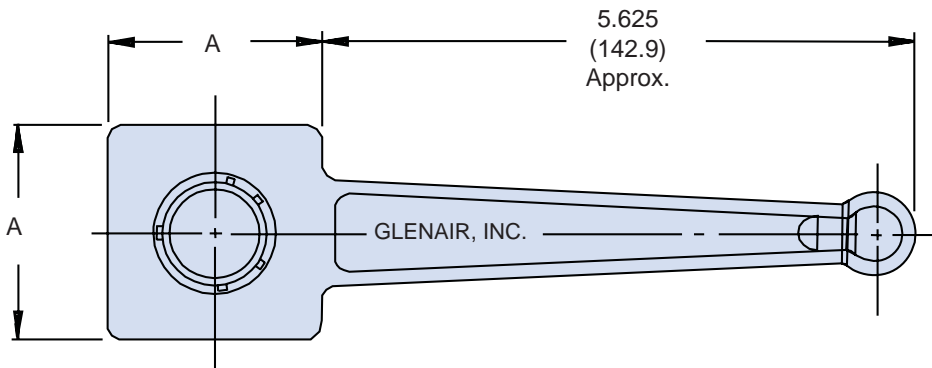
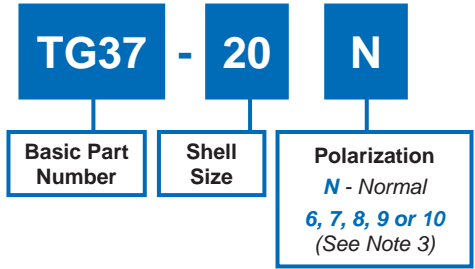


TABLE I: Dash Number and Dimensions

| Dash No. | A Dim ± .062(1.6) | B Dia Ref | C Dia Ref |
|----------|----------------------|--------------|--------------|
| 8 | 1.250 (31.8) | .424 (10.8) | .428 (10.9) |
| 10 | 1.250 (31.8) | .526 (13.4) | .530 (13.5) |
| 12 | 1.250 (31.8) | .696 (17.7) | .700 (17.8) |
| 14 | 2.000 (50.8) | .765 (19.4) | .769 (19.5) |
| 16 | 2.000 (50.8) | .892 (22.7) | .896 (22.8) |
| 18 | 2.000 (50.8) | .998 (25.3) | 1.002 (25.5) |
| 20 | 2.000 (50.8) | 1.123 (28.5) | 1.127 (28.6) |
| 22 | 2.000 (50.8) | 1.248 (31.7) | 1.252 (31.8) |
| 24 | 2.000 (50.8) | 1.373 (34.9) | 1.377 (35.0) |

APPLICATION NOTES

1. Metric dimensions (mm) are indicated in parentheses.
2. Material: Aluminum alloy with electroless nickel finish.
3. Polarization 10 not available for shell size 8.
4. Wrench has been designed to be used with both threaded and bayonet style connectors.

Dimensions in inches (millimeters) and are subject to change without notice.

TG39
Connector Wrench
MIL-DTL26482 Series I and II, MIL-DTL-83723 Series I and NAS 1599



TG39 - **20**
Basic Part Number Dash Number

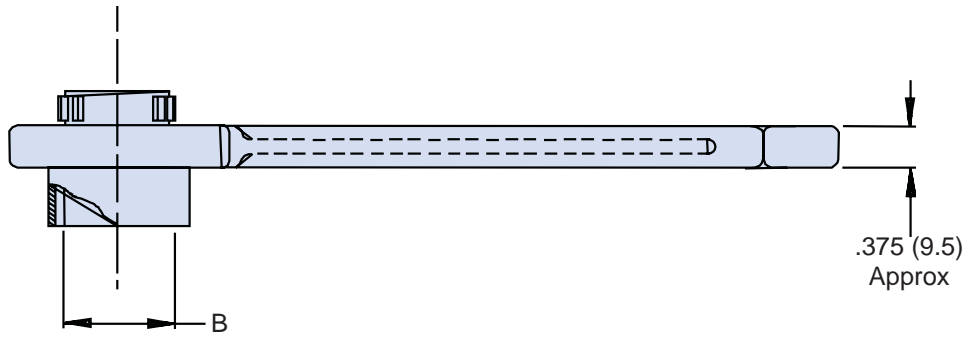
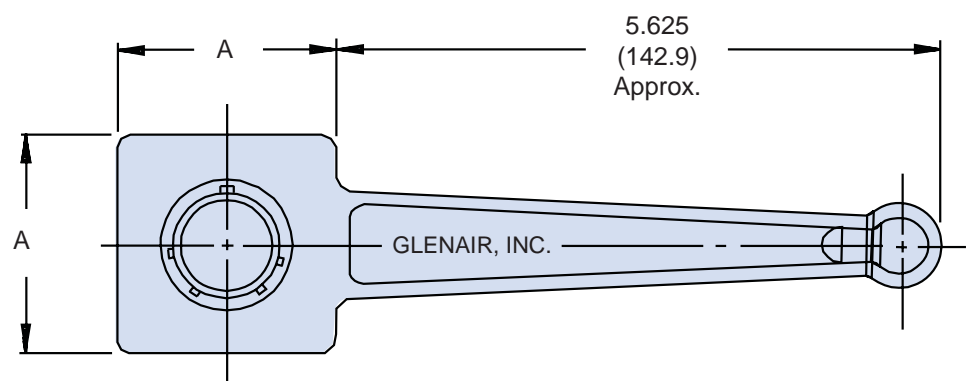


TABLE I: Shell Size and Dimensions

| Shell Size | A Dim ± .062 (1.6) | B Dia Ref |
|------------|-----------------------|--------------|
| 8 | 1.250 (31.8) | .362 (9.2) |
| 10 | 1.250 (31.8) | .490 (12.4) |
| 12 | 1.250 (31.8) | .607 (15.4) |
| 14 | 1.250 (31.8) | .732 (18.6) |
| 16 | 2.000 (50.8) | .857 (21.8) |
| 18 | 2.000 (50.8) | .962 (24.4) |
| 20 | 2.000 (50.8) | 1.087 (27.6) |
| 22 | 2.000 (50.8) | 1.212 (30.8) |
| 24 | 2.000 (50.8) | 1.337 (34.0) |

APPLICATION NOTES

1. Metric dimensions (mm) are indicated in parentheses.
2. Material: Aluminum alloy with electroless nickel finish.

Dimensions in inches (millimeters) and are subject to change without notice.





TG47 Connector Wrench MIL-DTL-22992 Classes C, J & R

TG47 - 20

Basic Part Number

Dash Number

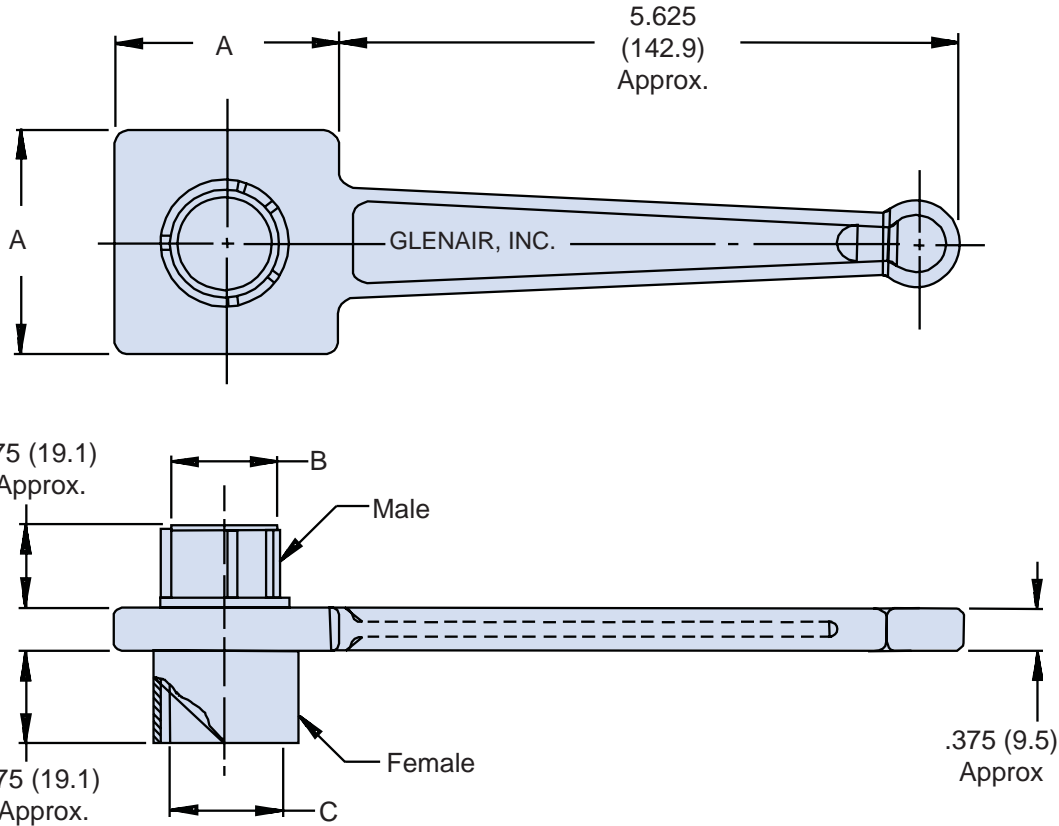


TABLE I: Shell Size and Dimensions

| Shell Size | A Dim ± .062 (1.6) | B Dia Ref | C Dia Ref |
|------------|-----------------------|--------------|--------------|
| 12 | 1.250 (31.8) | .554 (14.1) | .567 (14.4) |
| 14 | 2.000 (50.8) | .674 (17.1) | .692 (17.6) |
| 16 | 2.000 (50.8) | .804 (20.4) | .817 (20.8) |
| 18 | 2.000 (50.8) | .929 (23.6) | .942 (23.9) |
| 20 | 2.000 (50.8) | 1.052 (26.7) | 1.068 (27.1) |
| 22 | 2.750 (69.9) | 1.177 (29.9) | 1.192 (30.3) |
| 24 | 2.750 (69.9) | 1.302 (33.1) | 1.317 (33.5) |
| 28 | 2.750 (69.9) | 1.522 (38.7) | 1.536 (39.0) |
| 32 | 2.750 (69.9) | 1.772 (45.0) | 1.786 (45.4) |
| 36 | 2.750 (69.9) | 1.982 (50.3) | 2.005 (50.9) |

APPLICATION NOTES

1. Metric dimensions (mm) are indicated in parentheses.
2. Material: Aluminum alloy with electroless nickel finish.

Dimensions in inches (millimeters) and are subject to change without notice.

TG48
Connector Wrench
MIL-DTL-38999 Series II



TG48 - **20**
 Basic Part Number Dash Number

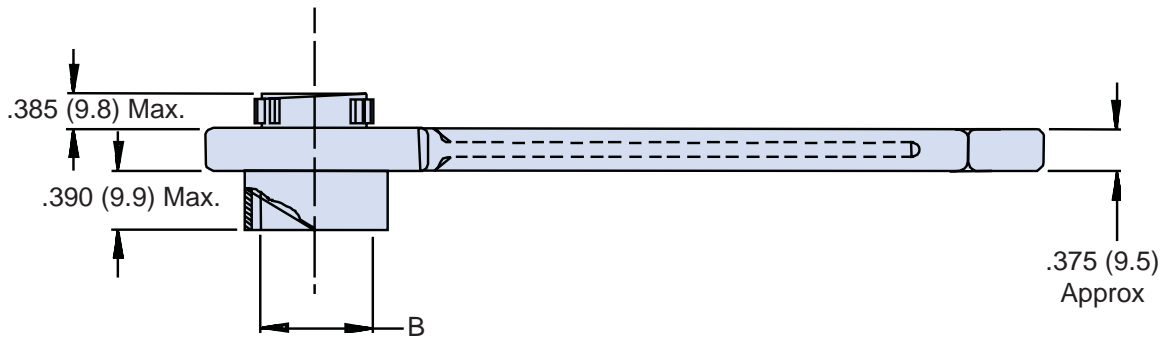
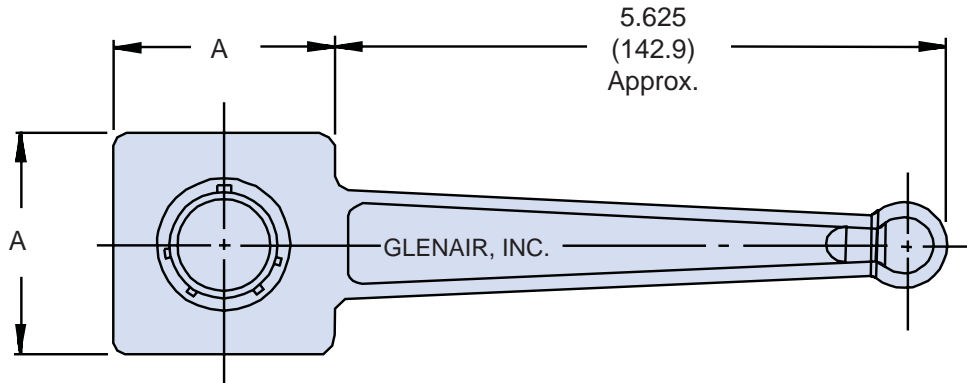


TABLE I: Shell Size and Dimensions

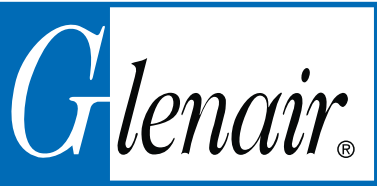
| Shell Size | A Dim ± .062 (1.6) | B Dia Ref |
|------------|-----------------------|--------------|
| 8 | 1.250 (31.8) | .362 (9.2) |
| 10 | 1.250 (31.8) | .490 (12.4) |
| 12 | 1.250 (31.8) | .607 (15.4) |
| 14 | 1.250 (31.8) | .732 (18.6) |
| 16 | 2.000 (50.8) | .857 (21.8) |
| 18 | 2.000 (50.8) | .962 (24.4) |
| 20 | 2.000 (50.8) | 1.087 (27.6) |
| 22 | 2.000 (50.8) | 1.212 (30.8) |
| 24 | 2.000 (50.8) | 1.337 (34.0) |

APPLICATION NOTES

- Metric dimensions (mm) are indicated in parentheses.
- Material: Aluminum alloy with electroless nickel finish.



Dimensions in inches (millimeters) and are subject to change without notice.



TG52 Connector Wrench MIL-C-81511 Series II & IV

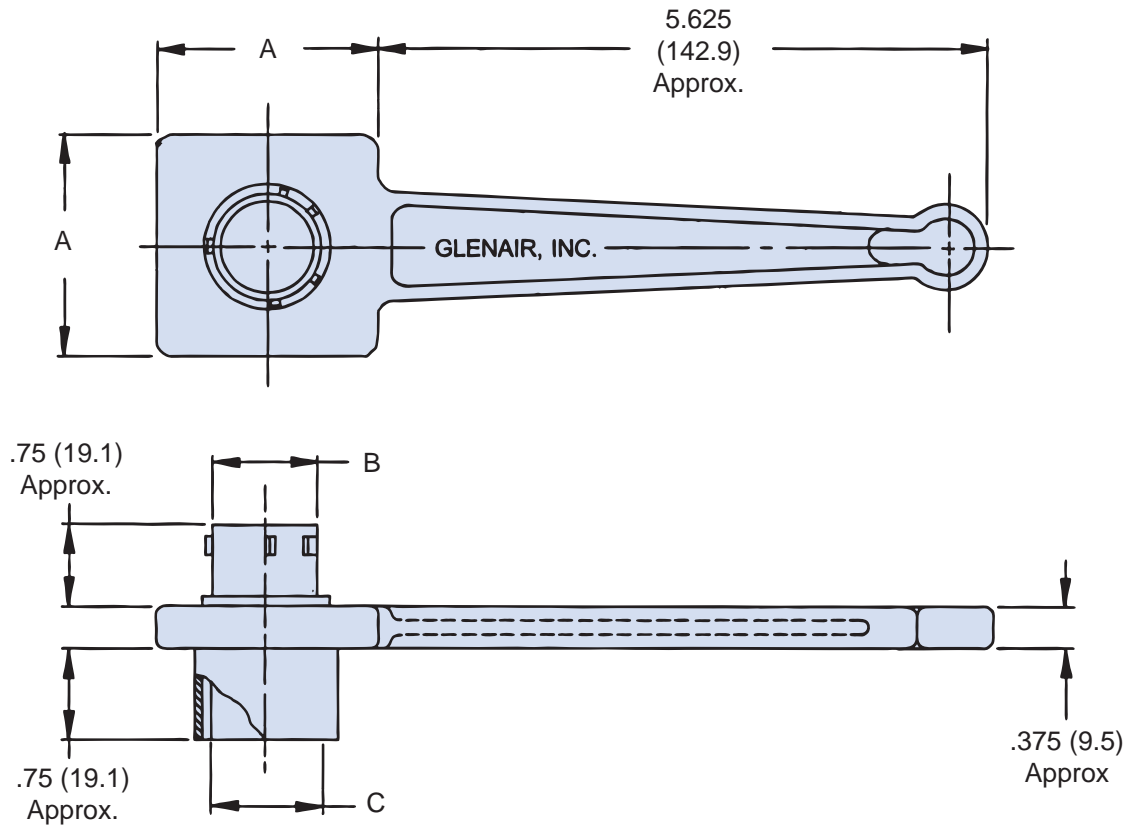
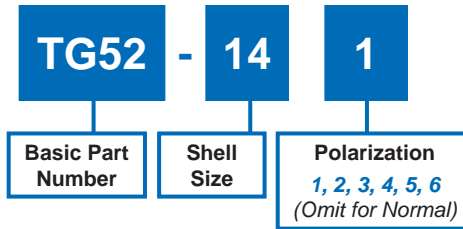


TABLE I: Shell Size and Dimensions

| Shell Size | A Dim ± .062 (1.6) | B Dia Ref | C Dia Ref |
|------------|-----------------------|--------------|--------------|
| 8 | 1.250 (31.8) | .382 (9.7) | .386 (9.8) |
| 10 | 1.250 (31.8) | .507 (12.9) | .511 (13.0) |
| 14 | 2.000 (50.8) | .757 (19.2) | .761 (19.3) |
| 16 | 2.000 (50.8) | .883 (22.4) | .887 (22.5) |
| 18 | 2.000 (50.8) | 1.007 (25.6) | 1.011 (25.7) |

APPLICATION NOTES

1. Metric dimensions (mm) are indicated in parentheses.
2. Material: Aluminum alloy with electroless nickel finish.

Dimensions in inches (millimeters) and are subject to change without notice.

TG60
Connector Wrench
 MIL-DTL-27599, MIL-DTL-38999 Series I

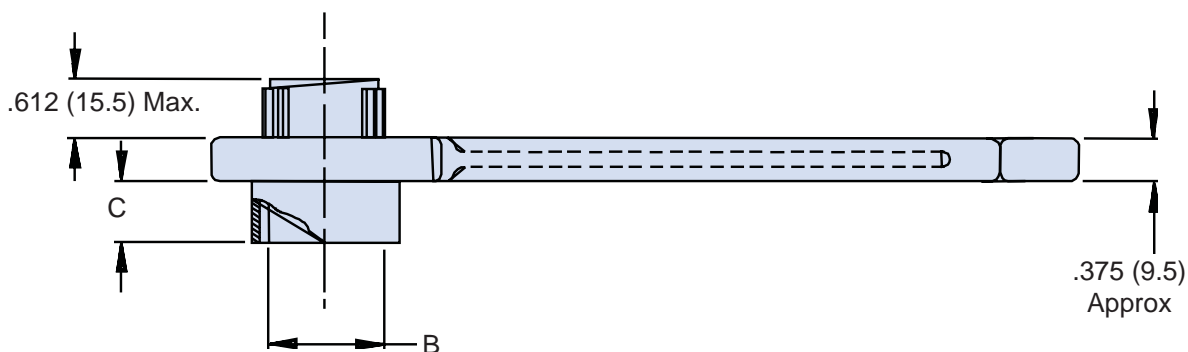
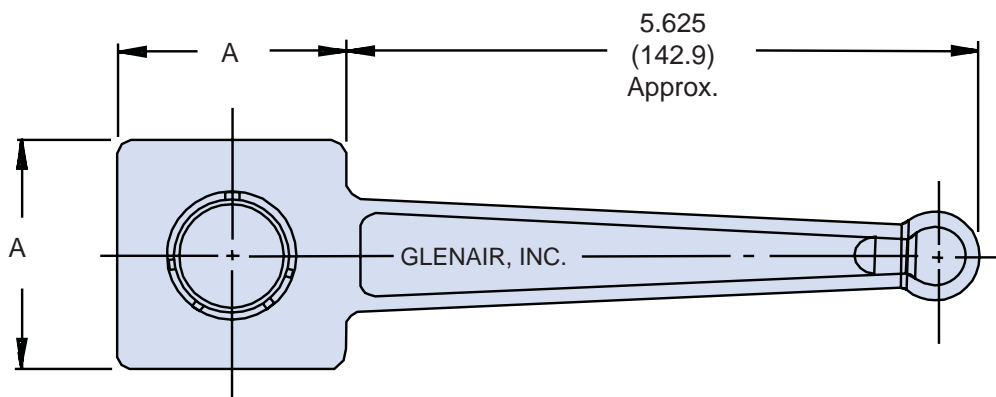
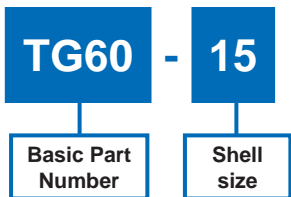


TABLE I: Shell Size and Dimensions

| Shell Size | A Dim Ref | B Dia Ref | C Dia Ref |
|------------|--------------|--------------|-------------|
| 9 | 1.250 (31.8) | .442 (11.2) | .647 (16.4) |
| 11 | 1.250 (31.8) | .570 (14.5) | .647 (16.4) |
| 13 | 1.250 (31.8) | .687 (17.4) | .647 (16.4) |
| 15 | 2.000 (50.8) | .812 (20.6) | .647 (16.4) |
| 17 | 2.000 (50.8) | .937 (23.8) | .647 (16.4) |
| 19 | 2.000 (50.8) | 1.042 (26.5) | .647 (16.4) |
| 21 | 2.000 (50.8) | 1.167 (29.6) | .617 (15.7) |
| 23 | 2.000 (50.8) | 1.292 (32.8) | .617 (15.7) |
| 25 | 2.000 (50.8) | 1.417 (36.0) | .617 (15.7) |

- APPLICATION NOTES**
- Metric dimensions (mm) are indicated in parentheses.
 - Material: Aluminum alloy with electroless nickel finish.



Dimensions in inches (millimeters) and are subject to change without notice.



TG83 Wrench for SJT Connectors (LN29729)

TG83 - **20**
 Basic Part Number Shell size

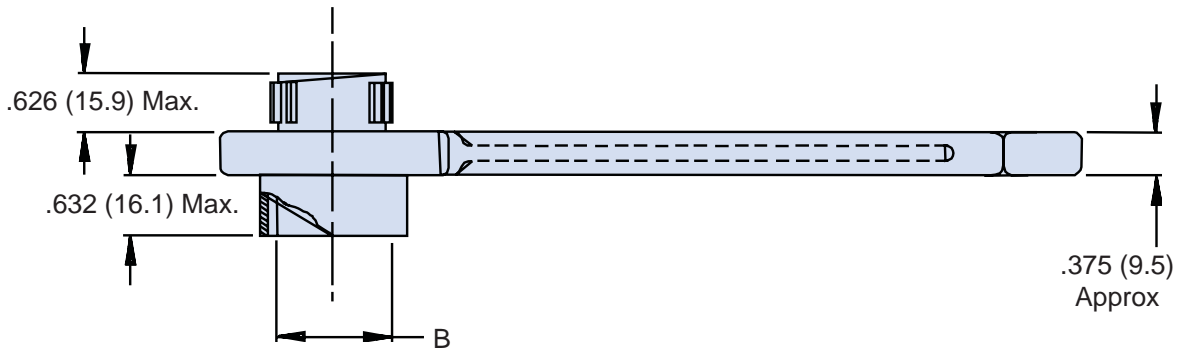
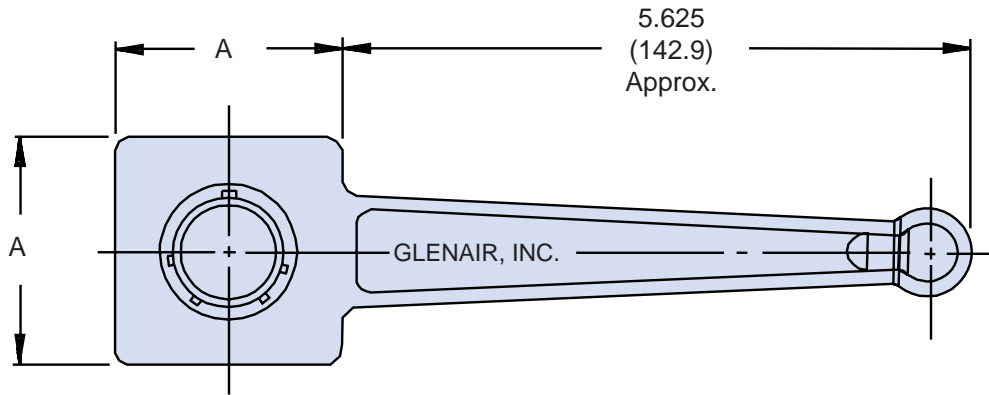


TABLE I: Shell Size and Dimensions

| Shell Size | A Dim ± .062 (1.6) | B Dia Ref |
|------------|-----------------------|--------------|
| 8 | 1.250 (31.8) | .362 (9.2) |
| 10 | 1.250 (31.8) | .490 (12.4) |
| 12 | 1.250 (31.8) | .607 (15.4) |
| 14 | 1.250 (31.8) | .732 (18.6) |
| 16 | 2.000 (50.8) | .857 (21.8) |
| 18 | 2.000 (50.8) | .962 (24.4) |
| 20 | 2.000 (50.8) | 1.087 (27.6) |
| 22 | 2.000 (50.8) | 1.212 (30.8) |
| 24 | 2.000 (50.8) | 1.337 (34.0) |

APPLICATION NOTES

1. Metric dimensions (mm) are indicated in parentheses.
2. Material: Aluminum alloy with electroless nickel finish.

Dimensions in inches (millimeters) and are subject to change without notice.

TG90
Connector Wrench
MIL-DTL-38999 Series III

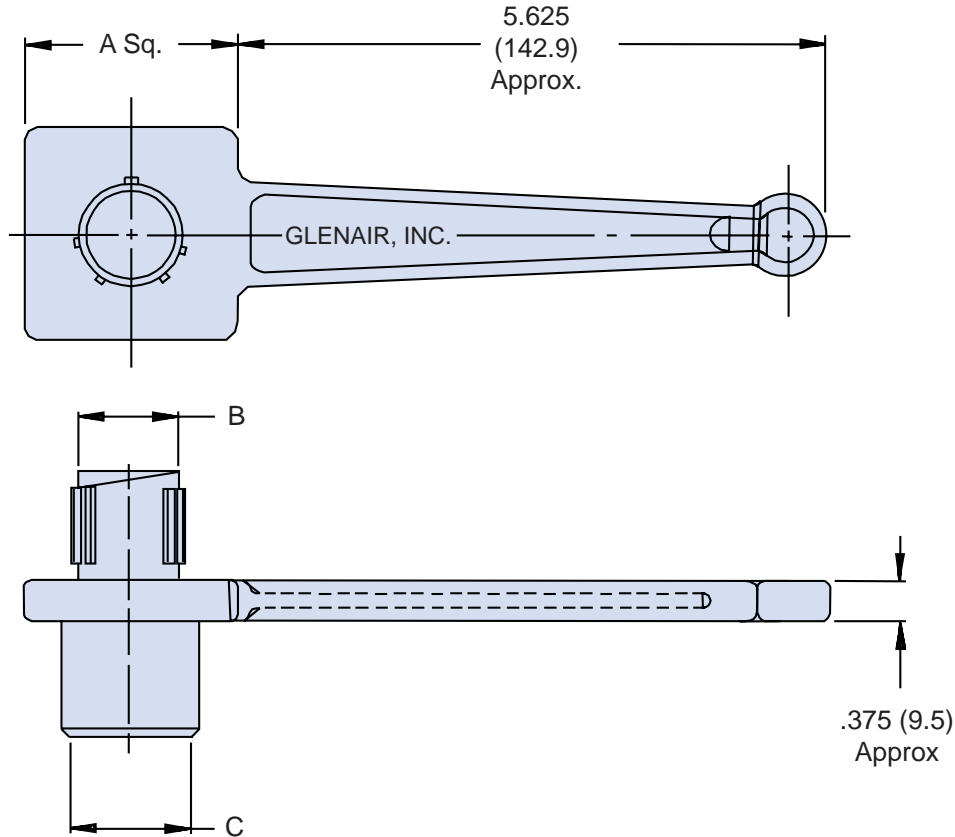
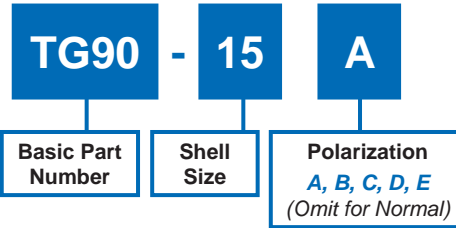


TABLE I: Shell Size and Dimensions

| Shell Size | A Dim ± .062 (1.6) | B Dia Ref | C Dia Ref |
|------------|-----------------------|--------------|--------------|
| 09 | 1.250 (31.8) | .438 (11.1) | .441 (11.2) |
| 11 | 1.250 (31.8) | .566 (14.4) | .569 (14.5) |
| 13 | 1.250 (31.8) | .678 (17.2) | .682 (17.3) |
| 15 | 2.000 (50.8) | .802 (20.4) | .811 (20.6) |
| 17 | 2.000 (50.8) | .928 (23.6) | .931 (23.6) |
| 19 | 2.000 (50.8) | 1.032 (26.2) | 1.037 (26.3) |
| 21 | 2.000 (50.8) | 1.155 (29.3) | 1.162 (29.5) |
| 23 | 2.750 (69.9) | 1.283 (32.6) | 1.288 (32.7) |
| 25 | 2.750 (69.9) | 1.407 (35.7) | 1.411 (35.8) |

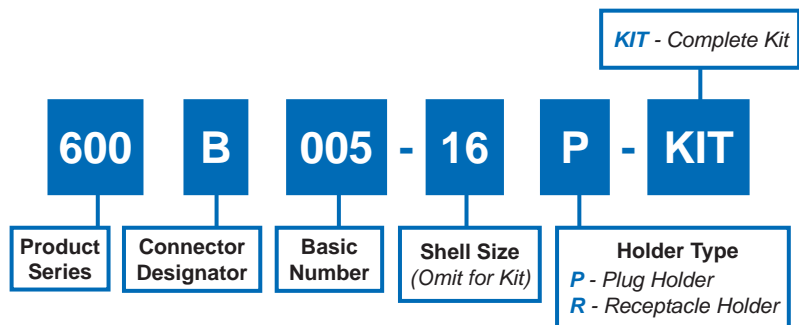
APPLICATION NOTES

1. Metric dimensions (mm) are indicated in parentheses.
2. Material: Aluminum alloy with electroless nickel finish.

Dimensions in inches (millimeters) and are subject to change without notice.



600B005
Plug and Receptacle Holder
 AS50151 Series AS31001 Solder and Crimp,
 MIL-DTL-83723 Series II



NO POLARIZATION REQUIRED

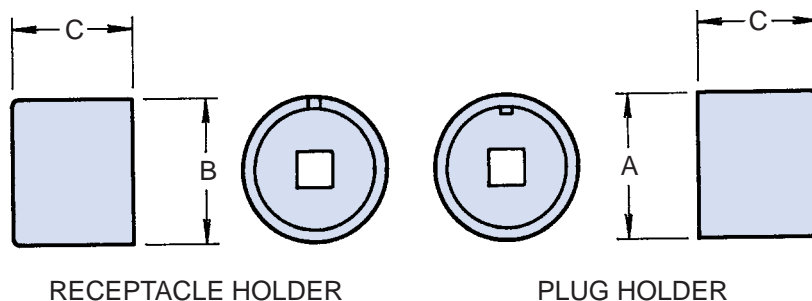


TABLE I: Dash Number, Torque and Dimensions

| Dash No. | Torque Max (In/lbs) | A Dia Max | B Dia Max | C Dim Max |
|----------|---------------------|--------------|--------------|--------------|
| 08 | 60 | .456 (11.6) | .365 (9.3) | 1.250 (31.8) |
| 10 | 80 | .575 (14.6) | .440 (11.2) | 1.250 (31.8) |
| 12 | 110 | .691 (17.6) | .555 (14.1) | 1.250 (31.8) |
| 14 | 120 | .816 (20.7) | .675 (17.1) | 1.250 (31.8) |
| 16 | 120 | .941 (23.9) | .805 (20.4) | 1.250 (31.8) |
| 18 | 120 | 1.060 (26.9) | .930 (23.6) | 1.250 (31.8) |
| 20 | 140 | 1.185 (30.1) | 1.050 (26.7) | 1.250 (31.8) |
| 22 | 140 | 1.310 (33.3) | 1.175 (29.8) | 1.250 (31.8) |
| 24 | 140 | 1.435 (36.4) | 1.300 (33.0) | 1.250 (31.8) |
| 28 | 150 | 1.685 (42.8) | 1.520 (38.6) | 1.250 (31.8) |
| 32 | 150 | 1.935 (49.1) | 1.777 (45.0) | 1.250 (31.8) |
| 36 | 150 | 2.177 (55.3) | 1.980 (50.3) | 1.250 (31.8) |

| APPLICATION NOTES |
|--|
| 1. Also mates with MIL-C-83723, Series II. |
| 2. Metric dimensions (mm) are indicated in parentheses. |
| 3. Material: Case hardened carbon steel with electroless nickel finish. |
| 4. Receptacle and plug holder drives: 1/4" - Shell sizes 08, 10, 12; 3/8" - Shell sizes 14 and up. |

Dimensions in inches (millimeters) and are subject to change without notice.

600C005
Plug and Receptacle Holder
MIL-DTL-22992 Classes C, J & R

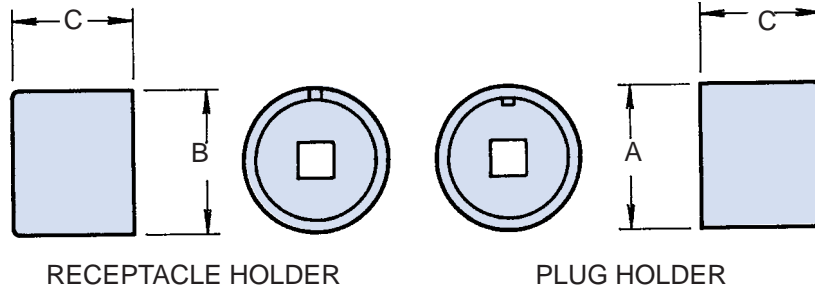
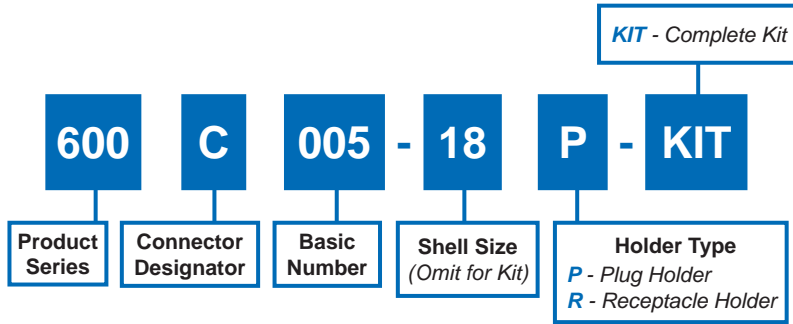


TABLE I: Dash Number, Torque and Dimensions

| Dash No. | Torque Max (In/lbs) | A Dia Max | B Dia Max | C Dim Max |
|----------|---------------------|--------------|--------------|--------------|
| 12 | 110 | .824 (20.9) | .552 (14.0) | 1.280 (32.5) |
| 14 | 120 | .950 (24.1) | .677 (17.2) | 1.280 (32.5) |
| 16 | 120 | 1.058 (26.9) | .802 (20.4) | 1.280 (32.5) |
| 18 | 120 | 1.183 (30.0) | .927 (23.5) | 1.280 (32.5) |
| 20 | 140 | 1.315 (33.4) | 1.053 (26.7) | 1.280 (32.5) |
| 22 | 140 | 1.425 (36.2) | 1.177 (29.9) | 1.280 (32.5) |
| 24 | 140 | 1.683 (42.7) | 1.302 (33.1) | 1.280 (32.5) |
| 28 | 150 | 1.931 (49.0) | 1.521 (38.6) | 1.280 (32.5) |
| 32 | 150 | 2.183 (55.4) | 1.771 (45.0) | 1.280 (32.5) |
| 36 | 150 | 2.445 (62.1) | 1.990 (50.5) | 1.280 (32.5) |

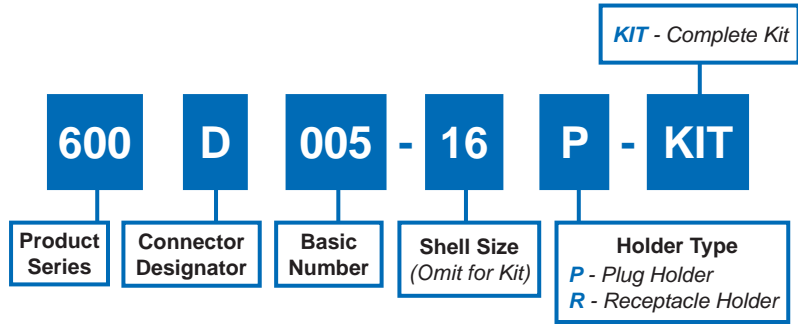
APPLICATION NOTES

1. Metric dimensions (mm) are indicated in parentheses.
2. Material: Case hardened carbon steel with electroless nickel finish.
3. Receptacle and plug holder drives: 1/4" - Shell size 12; 3/8" - Shell sizes 14 and up.
4. Consult Factory for larger sizes.

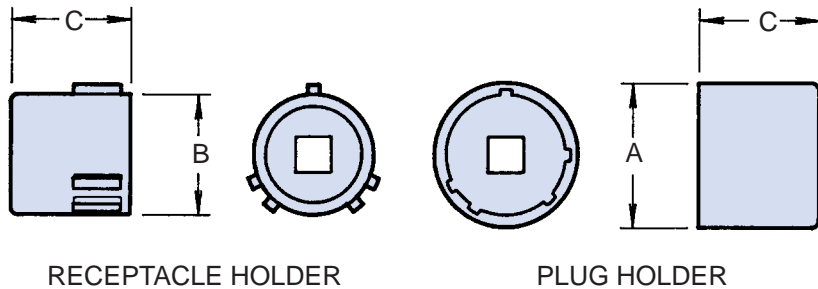
Dimensions in inches (millimeters) and are subject to change without notice.



600D005
Plug and Receptacle Holder
 MIL-DTL-26482 Series I & II,
 MIL-DTL-83723 Series I and NAS 1599



NO POLARIZATION REQUIRED



RECEPTACLE HOLDER

PLUG HOLDER

TABLE I: Dash Number, Torque and Dimensions

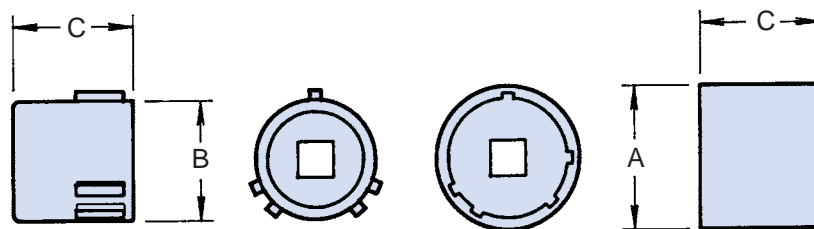
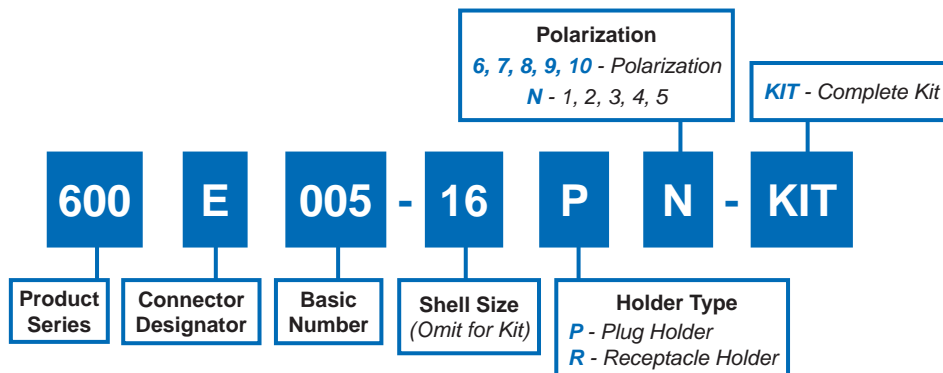
| Dash No. | Torque Max (In/lbs) | | A Dia Max | B Dia Max | C Dim Max |
|----------|---------------------|-----------|--------------|--------------|-------------|
| | Series I | Series II | | | |
| 08 | 40 | 60 | .478 (12.1) | .358 (9.1) | .910 (23.1) |
| 10 | 40 | 80 | .599 (15.2) | .486 (12.3) | .910 (23.1) |
| 12 | 40 | 110 | .758 (19.3) | .598 (15.2) | .910 (23.1) |
| 14 | 40 | 120 | .882 (22.4) | .723 (18.4) | .910 (23.1) |
| 16 | 40 | 120 | 1.007 (25.6) | .848 (21.5) | .910 (23.1) |
| 18 | 40 | 120 | 1.133 (28.8) | .948 (24.1) | .910 (23.1) |
| 20 | 80 | 140 | 1.257 (31.9) | 1.073 (27.3) | .910 (23.1) |
| 22 | 80 | 140 | 1.382 (35.1) | 1.198 (30.4) | .910 (23.1) |
| 24 | 80 | 140 | 1.507 (38.3) | 1.323 (33.6) | .910 (23.1) |

APPLICATION NOTES

1. Also mates with MIL-C-83723, Series I; 40M39569.
2. Metric dimensions (mm) are indicated in parentheses.
3. Material: Case hardened carbon steel with electroless nickel finish.
4. Receptacle and plug holder drives: 1/4" - Shell sizes 08, 10, 12; 3/8" - Shell sizes 14 and up.

Dimensions in inches (millimeters) and are subject to change without notice.

600E005
Plug and Receptacle Holder
MIL-DTL-26500 and MIL-DTL-83723 Series III



RECEPTACLE HOLDER

PLUG HOLDER

TABLE I: Dash Number, Torque and Dimensions

| Dash No. | Torque Max (in/lbs) | A Dia Max | B Dia Max | C Dim Max |
|----------|---------------------|--------------|--------------|--------------|
| 08 | 60 | .537 (13.6) | .424 (10.8) | 1.031 (26.2) |
| 10 | 80 | .660 (16.8) | .526 (13.4) | 1.031 (26.2) |
| 12 | 110 | .830 (21.1) | .696 (17.7) | 1.031 (26.2) |
| 14 | 120 | .899 (22.8) | .765 (19.4) | 1.031 (26.2) |
| 16 | 120 | 1.026 (26.1) | .892 (22.7) | 1.031 (26.2) |
| 18 | 120 | 1.132 (28.8) | .998 (25.3) | 1.031 (26.2) |
| 20 | 140 | 1.259 (32.0) | 1.123 (28.6) | 1.031 (26.2) |
| 22 | 140 | 1.382 (35.1) | 1.248 (31.7) | 1.031 (26.2) |
| 24 | 140 | 1.509 (38.3) | 1.373 (34.9) | 1.031 (26.2) |
| 28* | 150 | 1.740 (44.2) | 1.623 (41.2) | 1.031 (26.2) |

* Non-Military standard shell size

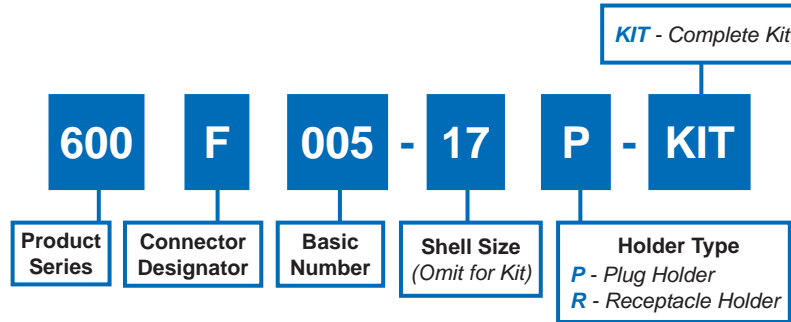
APPLICATION NOTES

1. Metric dimensions (mm) are indicated in parentheses.
2. Material: Case hardened carbon steel with electroless nickel finish.
3. Receptacle and plug holder drives: 1/4" - Shell sizes 08, 10, 12; 3/8" - Shell sizes 14 and up.

Dimensions in inches (millimeters) and are subject to change without notice.



600F005
Plug and Receptacle Holder
 MIL-DTL-27599, MIL-DTL-38999 Series I



NO POLARIZATION REQUIRED

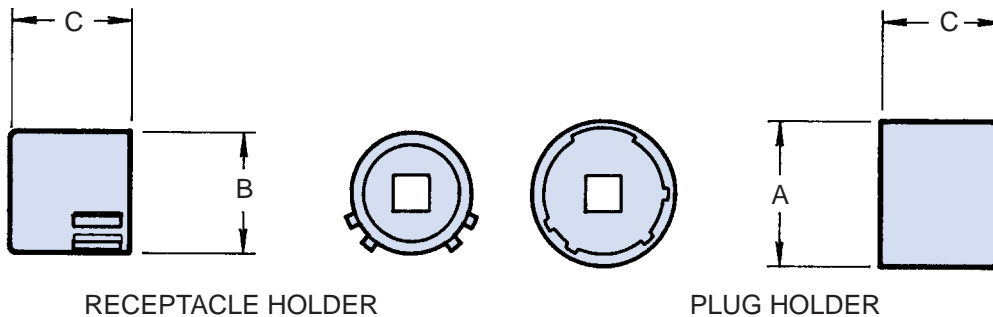


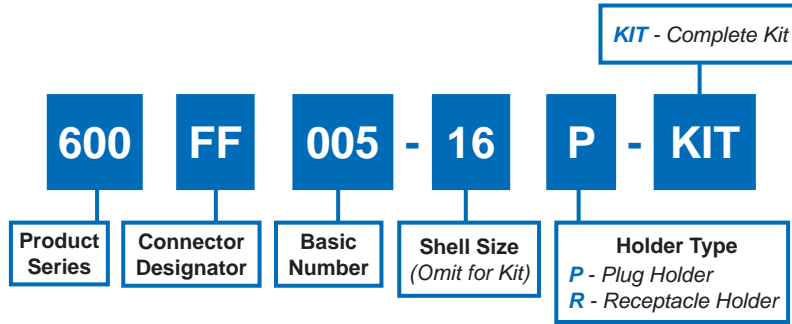
TABLE I: Dash Number, Torque and Dimensions

| Dash No. | Torque Max (In/lbs) | A Dia Max | B Dia Max | C Dim Max |
|----------|---------------------|--------------|--------------|--------------|
| 09 | 40 | .577 (14.7) | .438 (11.1) | 1.031 (26.2) |
| 11 | 40 | .709 (18.0) | .566 (14.4) | 1.031 (26.2) |
| 13 | 40 | .829 (21.1) | .678 (17.2) | 1.031 (26.2) |
| 15 | 40 | .954 (24.2) | .803 (20.4) | 1.031 (26.2) |
| 17 | 40 | 1.107 (28.1) | .928 (23.6) | 1.031 (26.2) |
| 19 | 40 | 1.190 (30.2) | 1.033 (26.2) | 1.031 (26.2) |
| 21 | 80 | 1.315 (33.4) | 1.158 (29.4) | 1.031 (26.2) |
| 23 | 80 | 1.440 (36.6) | 1.283 (32.6) | 1.031 (26.2) |
| 25 | 80 | 1.565 (39.8) | 1.408 (35.8) | 1.031 (26.2) |

| APPLICATION NOTES |
|--|
| 1. Metric dimensions (mm) are indicated in parentheses. |
| 2. Material: Case hardened carbon steel with electroless nickel finish. |
| 3. Receptacle and plug holder drives: 1/4" - Shell sizes 08, 10, 12; 3/8" - Shell sizes 14 and up. |

Dimensions in inches (millimeters) and are subject to change without notice.

600FF005
Plug and Receptacle Holder
MIL-DTL-38999 Series II



NO POLARIZATION REQUIRED

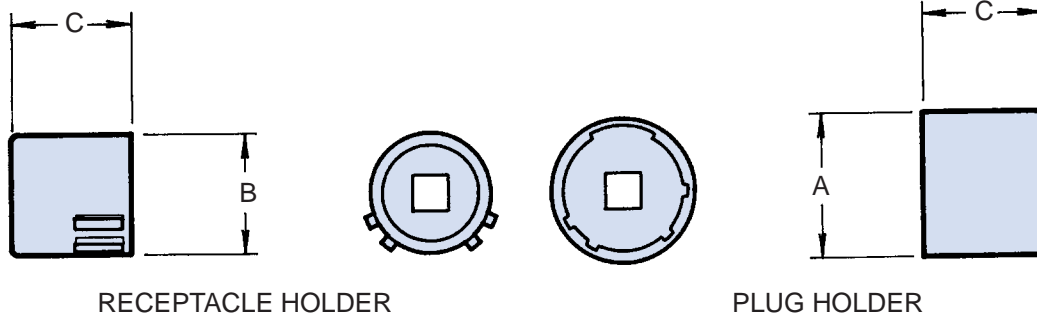


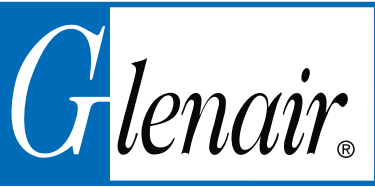
TABLE I: Dash Number, Torque and Dimensions

| Dash No. | Torque Max (In/lbs) | A Dia Max | B Dia Max | C Dim Max |
|----------|---------------------|--------------|--------------|-------------|
| 08 | 40 | .478 (12.1) | .358 (9.1) | .910 (23.1) |
| 10 | 40 | .599 (15.2) | .486 (12.3) | .910 (23.1) |
| 12 | 40 | .758 (19.3) | .603 (15.3) | .910 (23.1) |
| 14 | 40 | .882 (22.4) | .728 (18.5) | .910 (23.1) |
| 16 | 40 | 1.007 (25.6) | .853 (21.7) | .910 (23.1) |
| 18 | 40 | 1.133 (28.8) | .958 (24.3) | .910 (23.1) |
| 20 | 80 | 1.257 (31.9) | 1.083 (27.5) | .910 (23.1) |
| 22 | 80 | 1.382 (35.1) | 1.208 (30.7) | .910 (23.1) |
| 24 | 80 | 1.507 (38.3) | 1.333 (33.9) | .910 (23.1) |

APPLICATION NOTES

1. Also mates with 40M38277.
2. Metric dimensions (mm) are indicated in parentheses.
3. Material: Case hardened carbon steel with electroless nickel finish.
4. Receptacle and plug holder drives: 1/4" - Shell sizes 08, 10, 12; 3/8" - Shell sizes 14 and up.

Dimensions in inches (millimeters) and are subject to change without notice.



600G005 Plug and Receptacle Holder MIL-DTL-28840

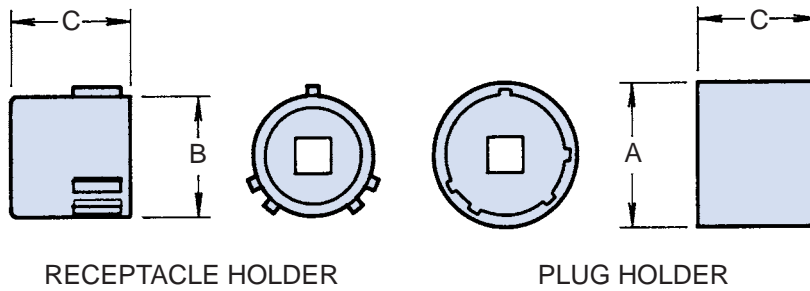
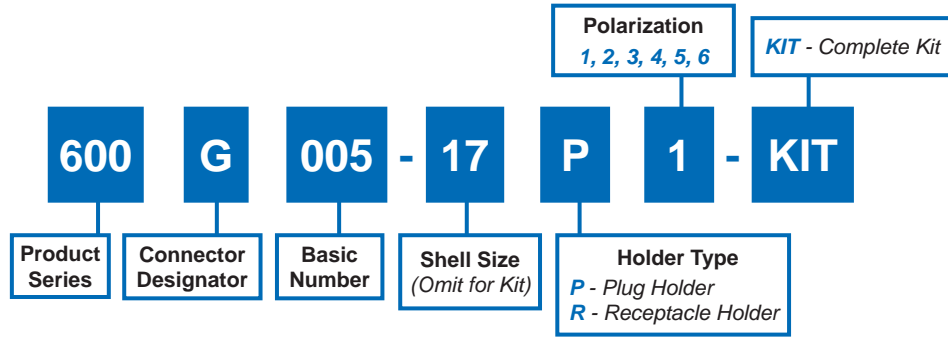


TABLE I: Dash Number, Torque and Dimensions

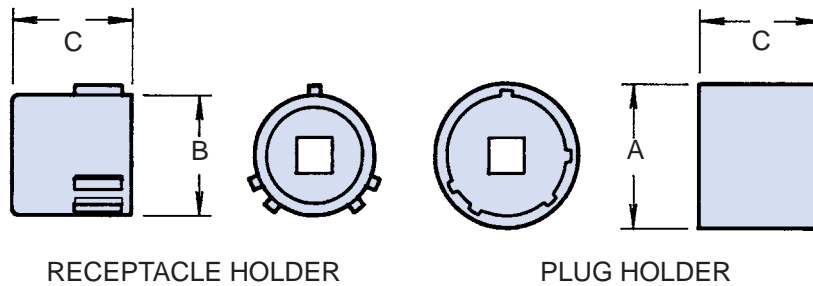
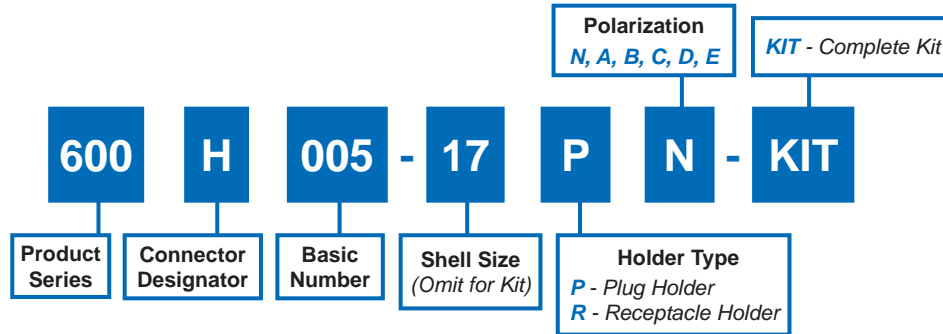
| Dash No. | Torque Max (In/lbs) | A Dia Max | B Dia Max | C Dim Max |
|----------|---------------------|--------------|--------------|-------------|
| 11 | 80 | .697 (17.7) | .502 (12.8) | .945 (24.0) |
| 13 | 110 | .822 (20.8) | .626 (15.9) | .945 (24.0) |
| 15 | 120 | .995 (25.3) | .798 (20.3) | .945 (24.0) |
| 17 | 120 | 1.058 (26.9) | .868 (22.0) | .945 (24.0) |
| 19 | 120 | 1.245 (31.6) | 1.035 (26.3) | .945 (24.0) |
| 23 | 140 | 1.433 (36.4) | 1.220 (31.0) | .945 (24.0) |
| 25 | 140 | 1.558 (39.6) | 1.381 (35.1) | .945 (24.0) |
| 29 | 150 | 1.745 (44.3) | 1.547 (39.3) | .945 (24.0) |
| 33 | 150 | 1.933 (49.1) | 1.739 (44.2) | .945 (24.0) |

| APPLICATION NOTES |
|--|
| 1. Metric dimensions (mm) are indicated in parentheses. |
| 2. Material: Case hardened carbon steel with electroless nickel finish. |
| 3. Receptacle and plug holder drives: 1/4" - Shell sizes 08, 10, 12; 3/8" - Shell sizes 14 and up. |

Dimensions in inches (millimeters) and are subject to change without notice.

H

600H005
Plug and Receptacle Holder
MIL-DTL-38999 Series III



RECEPTACLE HOLDER

PLUG HOLDER

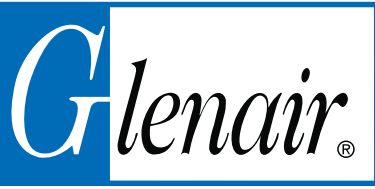
TABLE I: Dash Number, Torque and Dimensions

| Shell Size | | Max Torque (± 5 Inch Lbs) | | A Dia | B Dia | C Dim |
|------------|--------------|--------------------------------|-----------|--------------|--------------|--------------|
| Commercial | Military Ref | Metal | Composite | Max | Max | Max |
| 09 | A | 60 | 35 | .577 (14.7) | .438 (11.1) | 1.031 (26.2) |
| 11 | B | 80 | 35 | .709 (18.0) | .566 (14.4) | 1.031 (26.2) |
| 13 | C | 110 | 40 | .829 (21.1) | .678 (17.2) | 1.031 (26.2) |
| 15 | D | 120 | 40 | .954 (24.2) | .803 (20.4) | 1.031 (26.2) |
| 17 | E | 120 | 40 | 1.107 (28.1) | .928 (23.6) | 1.031 (26.2) |
| 19 | F | 120 | 40 | 1.190 (30.2) | 1.033 (26.2) | 1.031 (26.2) |
| 21 | G | 140 | 80 | 1.315 (33.4) | 1.158 (29.4) | 1.031 (26.2) |
| 23 | H | 140 | 80 | 1.440 (36.6) | 1.283 (32.6) | 1.031 (26.2) |
| 25 | J | 140 | 80 | 1.565 (39.8) | 1.408 (35.8) | 1.031 (26.2) |

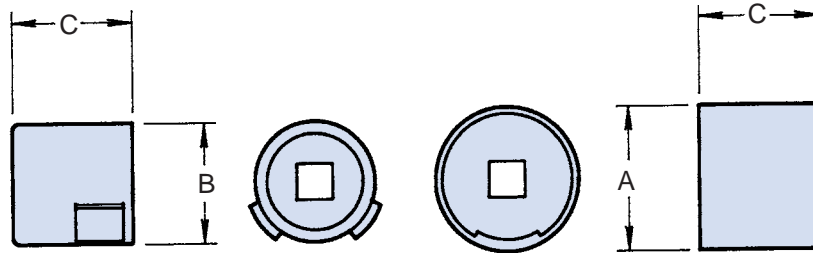
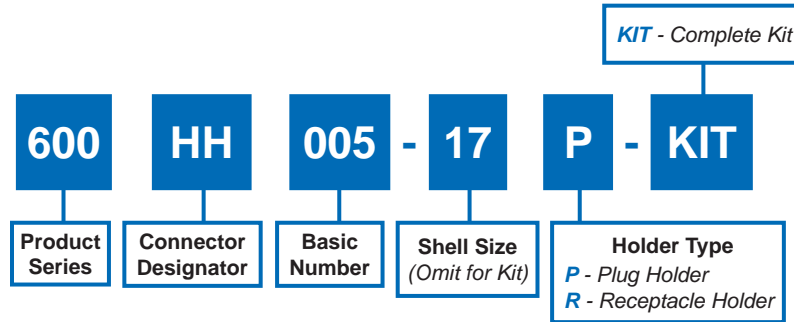
APPLICATION NOTES

1. Metric dimensions (mm) are indicated in parentheses.
2. Material: Case hardened carbon steel with electroless nickel finish.
3. Receptacle and plug holder drives:
 1/4" - Shell sizes 08, 10, 12; 3/8" - Shell sizes 14 and up.
4. Composite values apply when using Glenair 600-091, 600-157 or 600-007 tools.

Dimensions in inches (millimeters) and are subject to change without notice.



600HH005
Plug and Receptacle Holder
MIL-DTL-38999 Series IV



PLUG HOLDER

RECEPTACLE HOLDER

TABLE I: Dash Number, Torque and Dimensions

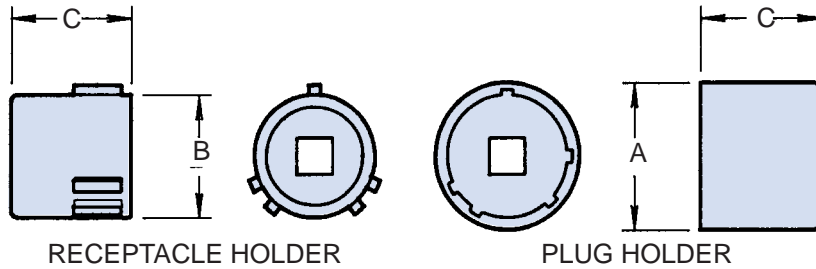
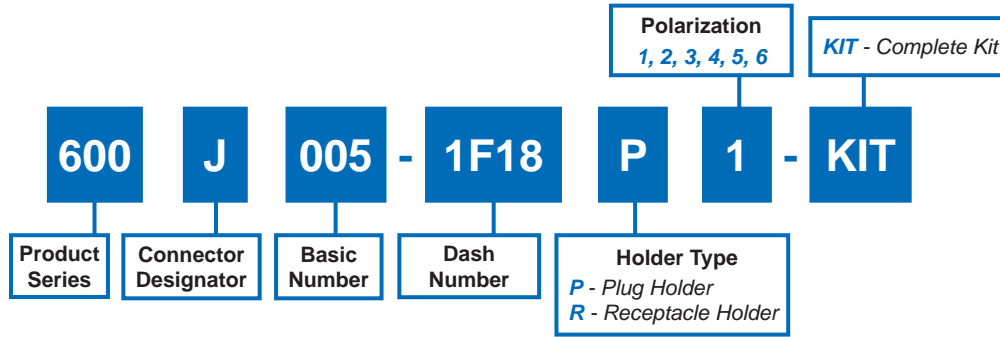
| Shell Size | | Max Torque (Inch Pounds) | A Dia Max | B Dia Max | C Dim Max |
|------------|--------------|-----------------------------|--------------|--------------|--------------|
| Commercial | Military Ref | | | | |
| 11 | B | 80 | .830 (21.1) | .515 (13.1) | 1.280 (32.5) |
| 13 | C | 110 | .950 (24.1) | .650 (16.5) | 1.280 (32.5) |
| 15 | D | 120 | 1.070 (27.2) | .775 (19.7) | 1.280 (32.5) |
| 17 | E | 120 | 1.200 (30.5) | .901 (22.9) | 1.280 (32.5) |
| 19 | F | 120 | 1.280 (32.5) | 1.015 (25.8) | 1.280 (32.5) |
| 21 | G | 140 | 1.400 (35.6) | 1.140 (29.0) | 1.280 (32.5) |
| 23 | H | 140 | 1.530 (38.9) | 1.265 (32.1) | 1.280 (32.5) |
| 25 | J | 140 | 1.660 (42.2) | 1.392 (35.4) | 1.280 (32.5) |

APPLICATION NOTES

1. Metric dimensions (mm) are indicated in parentheses.
2. Material: Case hardened carbon steel with electroless nickel finish.
3. Receptacle and plug holder drives: 1/4" - Shell sizes 11 and 13; 3/8" - Shell sizes 15 and up.

Dimensions in inches (millimeters) and are subject to change without notice.

600J005
Plug and Receptacle Holder
MIL-DTL-81511 Series I, II, III & IV



SERIES I and III: Dash Number, Shell Size, Torque and Dimensions

| Dash Number | Shell Size | | Max Torque (± 5 Inch Lbs) | A Dia Max | B Dia Max | C Dim Max |
|-------------|------------|--------------|------------------------------|--------------|--------------|--------------|
| | Commercial | Military Ref | | | | |
| 1A08 | 08 | A | 40 | .556 (14.1) | .394 (10.0) | .950 (24.1) |
| 1B10 | 10 | B | 40 | .681 (17.3) | .519 (13.2) | .950 (24.1) |
| 1D14 | 14 | D | 40 | .931 (23.6) | .769 (19.5) | .950 (24.1) |
| 1E16 | 16 | E | 40 | 1.058 (26.9) | .895 (22.7) | .950 (24.1) |
| 1F18 | 18 | F | 40 | 1.181 (30.0) | 1.019 (25.9) | .950 (24.1) |
| 1G20 | 20 | G | 40 | 1.306 (33.2) | 1.144 (29.1) | .950 (24.1) |
| 1H22 | 22 | H | 40 | 1.431 (36.3) | 1.269 (32.2) | .950 (24.1) |
| 1J24 | 24 | J | 40 | 1.556 (39.5) | 1.394 (35.4) | .950 (24.1) |

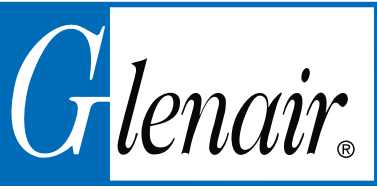
SERIES II and IV: Dash Number, Shell Size, Torque and Dimensions

| Dash Number | Shell Size | | Max Torque (± 5 Inch Lbs) | A Dia Max | B Dia Max | C Dim Max |
|-------------|------------|--------------|------------------------------|--------------|--------------|--------------|
| | Commercial | Military Ref | | | | |
| 2A08 | 08 | A | 40 | .544 (13.8) | .374 (9.5) | .950 (24.1) |
| 2B10 | 10 | B | 40 | .669 (17.0) | .499 (12.7) | .950 (24.1) |
| 2D14 | 14 | D | 40 | .919 (23.3) | .749 (19.0) | .950 (24.1) |
| 2E16 | 16 | E | 40 | 1.045 (26.5) | .875 (22.2) | .950 (24.1) |
| 2F18 | 18 | F | 40 | 1.169 (29.7) | .999 (25.4) | .950 (24.1) |

APPLICATION NOTES

1. Metric dimensions (mm) are indicated in parentheses.
2. Material: Case hardened carbon steel with electroless nickel finish.
3. Receptacle and plug holder drives:
 1/4" - Shell sizes 08, 10 and 12; 3/8" - Shell sizes 14 and up.

Dimensions in inches (millimeters) and are subject to change without notice.



TG90 Connector Wrench MIL-DTL-38999 Series III

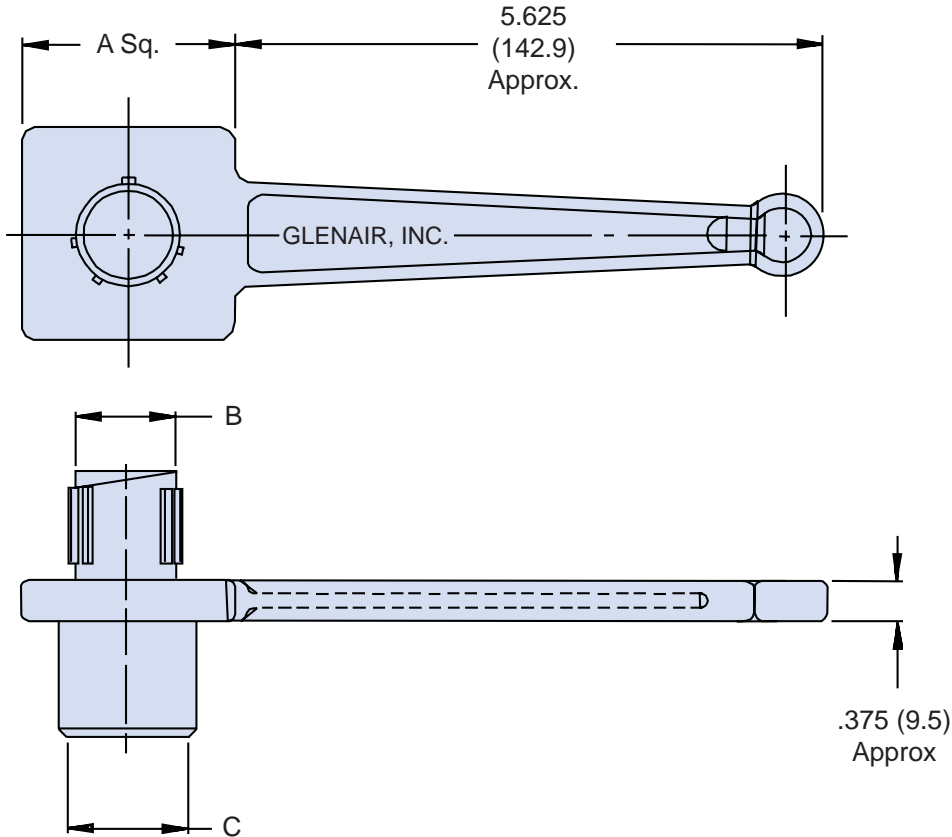
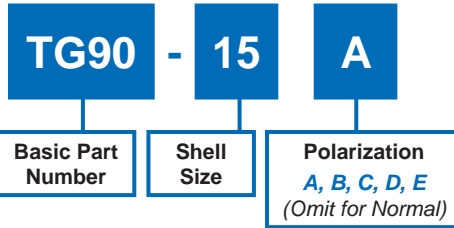


TABLE I: Shell Size and Dimensions

| Shell Size | A Dim ± .062 (1.6) | B Dia Ref | C Dia Ref |
|------------|-----------------------|--------------|--------------|
| 09 | 1.250 (31.8) | .438 (11.1) | .441 (11.2) |
| 11 | 1.250 (31.8) | .566 (14.4) | .569 (14.5) |
| 13 | 1.250 (31.8) | .678 (17.2) | .682 (17.3) |
| 15 | 2.000 (50.8) | .802 (20.4) | .811 (20.6) |
| 17 | 2.000 (50.8) | .928 (23.6) | .931 (23.6) |
| 19 | 2.000 (50.8) | 1.032 (26.2) | 1.037 (26.3) |
| 21 | 2.000 (50.8) | 1.155 (29.3) | 1.162 (29.5) |
| 23 | 2.750 (69.9) | 1.283 (32.6) | 1.288 (32.7) |
| 25 | 2.750 (69.9) | 1.407 (35.7) | 1.411 (35.8) |

APPLICATION NOTES

1. Metric dimensions (mm) are indicated in parentheses.
2. Material: Aluminum alloy with electroless nickel finish.

Dimensions in inches (millimeters) and are subject to change without notice.

H

Military Standard Backshells and Accessories Quick-Reference Part Number to Page Number Index



| Part Number | Page |
|-------------|---|
| AS25042 | G-2 |
| AS25043 | |
| AS50151 | G-8 |
| AS81511/13 | F-2 |
| AS81511/14 | F-3 |
| AS81511/14 | F-5 |
| AS81511/17 | F-7 |
| AS81511/18 | |
| AS81511/19 | F-8 |
| AS81511/20 | F-9 |
| AS81511/29 | F-7 |
| AS81511/30 | F-10 |
| AS85049/1 | B-2 |
| AS85049/2 | B-3 |
| AS85049/3 | B-4 B-5 B-6 |
| AS85049/4 | B-7 B-9 B-11 |
| AS85049/5 | B-13 B-15 B-17 |
| AS85049/6 | B-19 |
| AS85049/7 | B-21 |
| AS85049/8 | B-23 |
| AS85049/9 | B-25 |
| AS85049/10 | B-27 |
| AS85049/11 | B-31 |
| AS85049/14 | B-35 |
| AS85049/15 | B-36 |
| AS85049/16 | B-36 |
| AS85049/17 | B-37 |
| AS85049/18 | B-38 |
| AS85049/19 | B-39 |
| AS85049/20 | B-41 |
| AS85049/21 | B-42 |
| AS85049/23 | B-43 |
| AS85049/24 | B-45 |
| AS85049/25 | B-47 |
| AS85049/26 | B-51 B-52 |
| AS85049/27 | B-53 |
| AS85049/28 | B-54 |

| Part Number | Page |
|-------------|---|
| AS85049/29 | B-55 |
| AS85049/30 | B-56 |
| AS85049/31 | B-57 |
| AS85049/33 | B-58 |
| AS85049/34 | B-59 |
| AS85049/36 | B-60 |
| AS85049/37 | B-61 |
| AS85049/38 | B-62 |
| AS85049/39 | B-63 |
| AS85049/41 | B-64 |
| AS85049/42 | B-65 |
| AS85049/43 | B-66 |
| AS85049/44 | B-67 |
| AS85049/45 | B-68 |
| AS85049/46 | B-69 |
| AS85049/47 | B-70 |
| AS85049/48 | B-71 B-72 B-73 |
| AS85049/49 | B-74 |
| AS85049/50 | B-75 |
| AS85049/51 | B-76 |
| AS85049/52 | B-77 |
| AS85049/53 | B-78 |
| AS85049/54 | |
| AS85049/55 | |
| AS85049/56 | B-79 |
| AS85049/57 | |
| AS85049/58 | B-80 |
| AS85049/59 | B-81 |
| AS85049/60 | B-82 B-83 |
| AS85049/61 | B-84 |
| AS85049/62 | B-85 |
| AS85049/63 | B-86 |
| AS85049/69 | B-87 |
| AS85049/74 | B-88 |
| AS85049/75 | B-89 |
| AS85049/76 | B-90 |
| AS85049/77 | B-91 |
| AS85049/78 | B-92 |
| AS85049/79 | B-93 |
| AS85049/80 | B-94 |

| Part Number | Page |
|---------------|--|
| AS85049/81 | B-96 |
| AS85049/82 | B-97 |
| AS85049/83 | |
| AS85049/84 | |
| AS85049/85 | B-99 |
| AS85049/86 | |
| AS85049/87 | |
| AS85049/88 | B-101 |
| AS85049/89 | |
| AS85049/90 | |
| AS85049/91 | B-103 |
| AS85049/92 | |
| AS85049/93 | B-104 |
| AS85049/94 | B-105 |
| AS85049/95 | B-106 |
| AS85049/96 | B-107 |
| AS85049/103 | B-108 |
| AS85049/104 | B-110 |
| AS85049/105 | B-112 |
| AS85049/109 | B-114 |
| AS85049/111 | B-116 |
| AS85049/112 | B-118 |
| AS85049/114 | B-120 |
| AS85049/115 | B-122 |
| AS85049/118 | B-124 |
| AS85049/120 | B-126 |
| AS85049/121 | B-128 |
| AS85049/123 | B-130 |
| AS85049/124 | B-132 |
| AS85049/126 | B-134 |
| AS85049/127 | B-136 |
| AS85049/128-3 | B-137 |
| AS85049/128-4 | |
| AS85049/130 | B-138 |
| AS85049/139 | B-140 |
| AS85049/140 | B-142 B-144 B-146 B-148 |
| AS85049/141 | B-150 B-152 B-154 |
| AS85049/142 | B-156 B-158 B-160 |

| Part Number | Page |
|------------------|--|
| MIL-DTL-26500 | G-5 |
| MIL-DTL-26500 | G-6 |
| MIL-DTL-28840/1 | D-2 |
| MIL-DTL-28840/2 | D-3 |
| MIL-DTL-28840/3 | D-4 |
| MIL-DTL-28840/4 | D-5 |
| MIL-DTL-28840/5 | D-6 |
| MIL-DTL-28840/6 | D-7 D-8 |
| MIL-DTL-28840/7 | D-9 |
| MIL-DTL-28840/8 | D-10 D-11 |
| MIL-DTL-28840/9 | D-12 D-13 |
| MIL-DTL-28840/13 | D-14 |
| MIL-DTL-28840/15 | |
| MIL-DTL-28840/22 | D-15 |
| MIL-DTL-28840/23 | D-16 |
| MIL-DTL-28840/24 | D-17 |
| MIL-DTL-38999 | C-2 |
| MIL-DTL-38999 | |
| MIL-DTL-38999 | C-3 |
| MIL-DTL-38999/22 | C-4 |
| MIL-DTL-38999/28 | C-5 |
| MIL-DTL-38999/32 | C-6 |
| MIL-DTL-38999/33 | |
| MIL-DTL-38999/50 | C-7 |
| MIL-DTL-83513/05 | G-15 |
| MIL-DTL-83538/9 | G-16 |
| MIL-DTL-83723/27 | E-2 |
| MIL-DTL-83723/35 | E-3 E-4 E-5 |
| MIL-DTL-83723/50 | E-6 |
| MIL-DTL-83723/59 | E-7 |
| MIL-DTL-83723/60 | |
| MIL-DTL-83723/59 | E-8 |
| MIL-DTL-83723/60 | |
| MIL-DTL-83723/70 | E-9 |
| MIL-S-81824/1 | G-17 |
| MS17349 | G-3 |
| MS17350 | |
| MS27291 | G-4 |

Dimensions in inches (millimeters) and are subject to change without notice.



Out of This World
**INTERCONNECT
SOLUTIONS**

Glenair, Inc.

1211 Air Way • Glendale, California • 91201-2497
Telephone: 818-247-6000 • Fax: 818-500-9912 • sales@glenair.com
www.glenair.com

**Glenair Power
Products Group**

860 N. Main Street Extension
Wallingford, CT
06492

Telephone:
203-741-1115
Facsimile:
203-741-0053
sales@glenair.com

Glenair UK Ltd

40 Lower Oakham Way
Oakham Business Park
P.O. Box 37, Mansfield
Notts, NG18 5BY England

Telephone:
+44-1623-638100
Facsimile:
+44-1623-638111
sales@glenair.co.uk

Glenair Microway Systems

7000 North Lawndale Avenue
Lincolnwood, IL
60712

Telephone:
847-679-8833
Facsimile:
847-679-8849

Glenair Nordic AB

Gustav III : S Boulevard 46
S - 169 27 Solna
Sweden

Telephone:
+46-8-50550000
Facsimile:
+46-8-50550001
sales@glenair.se

Glenair Electric GmbH

Schaberweg 28
61348 Bad Homburg
Germany

Telephone:
06172 / 68 16 0
Facsimile:
06172 / 68 16 90
germany@glenair.com

Glenair Iberica

C/ La Vega, 16
45612 Velada
Spain

Telephone:
+34-925-89-29-88
Facsimile:
+34-925-89-29-87
sales@glenair.es

Glenair Italia S.p.A.

Via Del Lavoro, 7
40057 Quarto Inferiore –
Granarolo dell'Emilia
Bologna, Italy

Telephone:
+39-051-782811
Facsimile:
+39-051-782259
info@glenair.it

Glenair France SARL

7, Avenue Parmentier
Immeuble Central Parc #2
31200 Toulouse
France

Telephone:
+33-5-34-40-97-40
Facsimile:
+33-5-61-47-86-10
sales@glenair.fr

