

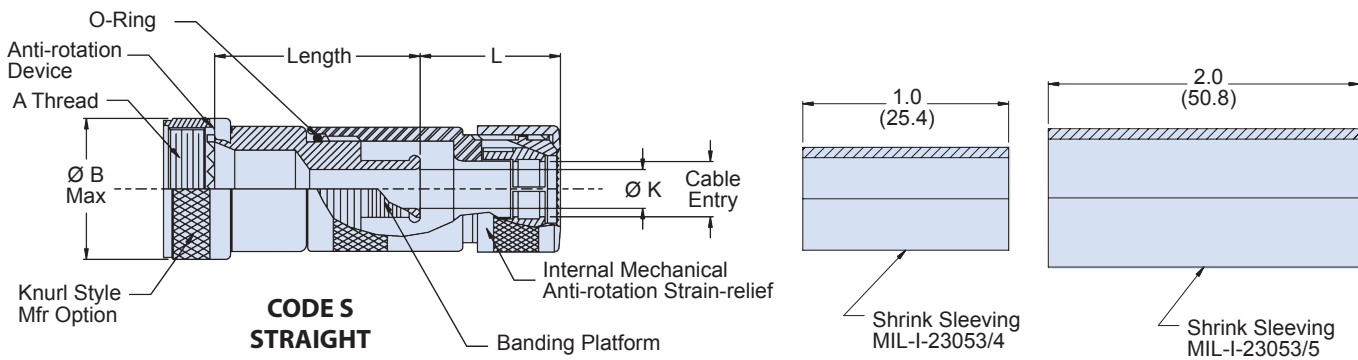


189-016
Backshell with Banding Strain Relief
Environmental Resistant
for MIL-DTL-38999 Series III Fiber Optic Connectors

D38999
Series III

B

MIL-DTL-38999 Series III backshell with strain relief



Material and Finish

Adapter, Coupling Nut: See Table II
Clamp Components: Ryton R4XT-Black, Ultem 1000-Natural
Anti-Rotation Device: Torlon 42031-Natural

Notes

Glenair 600 Series Backshell assembly tools are recommended for assembly and installation.
Standard minimum length: 1.5 inches, for shorter length consult factory.
For Shield termination see Glenair drawings 600-050 & 600-052.
Consult factory for larger cable size.
MIL-I-23053/4 & /5 Shrink Sleeving to be packaged loose in a plastic bag.
MIL-I-23053/4 Shrink Sleeving to be heat shrunk over rear of Adapter before MIL-I-23053/5 Shrink Sleeving.
For assembly instruction, see GAP-064

189-016
Backshell with Banding Strain Relief
Environmental Resistant
for MIL-DTL-38999 Series III Fiber Optic Connectors



MIL-DTL-38999
Series III Type

B

Table I

| Shell Size | A Thread | ØB Max | C Max | D Max | E Max | F Max | Max Dash No. |
|------------|--------------|--------------|--------------|--------------|--------------|--------------|--------------|
| 11 | M15 x 1 - 6H | 0.890 (22.6) | .861 (21.9) | 1.111 (28.2) | 1.563 (39.7) | 1.875 (47.6) | 05 |
| 13 | M18 x 1 - 6H | 1.020 (25.9) | .911 (23.1) | 1.161 (29.5) | 1.938 (49.2) | 2.250 (57.2) | 05 |
| 15 | M22 x 1 - 6H | 1.150 (29.2) | .965 (24.5) | 1.215 (30.9) | 1.938 (49.2) | 2.250 (57.2) | 07 |
| 17 | M25 x 1 - 6H | 1.230 (31.2) | 1.014 (25.8) | 1.264 (32.1) | 2.063 (52.4) | 2.375 (60.3) | 07 |
| 19 | M28 x 1 - 6H | 1.360 (34.5) | 1.064 (27.0) | 1.314 (33.4) | 2.063 (52.4) | 2.375 (60.3) | 09 |
| 21 | M31 x 1 - 6H | 1.480 (37.6) | 1.118 (28.4) | 1.368 (34.7) | 2.563 (65.1) | 2.875 (73.0) | 11 |
| 23 | M34 x 1 - 6H | 1.600 (40.6) | 1.172 (29.8) | 1.422 (36.1) | 2.313 (58.8) | 2.688 (68.3) | 11 |
| 25 | M37 x 1 - 6H | 1.730 (43.9) | 1.221 (31.0) | 1.471 (37.4) | 2.250 (57.2) | 2.563 (65.1) | 13 |

Table II: Material and Finish

| Code | Material | Finish Description |
|------|----------------|----------------------------------------|
| M | Aluminum Alloy | Electroless Nickel |
| NF | | Cadmium Plate, Olive Drab, Over Nickel |

Refer to Appendix for material/finish details



Table III

| Dash No. | Clamp Size | Cable Dia Max | Ø K ±005 | L Max | MIL-I-23053 Shrink Sleeve | MIL-I-23053 Shrink Sleeve | Cable Entry Dia | |
|----------|------------|---------------|--------------|--------------|---------------------------|---------------------------|-----------------|--------------|
| | | | | | | | Min | Max |
| 05 | 12 | .280 (7.11) | .312 (7.92) | 1.110 (28.2) | /4-203-0 | /5-107-0 | .233 (5.92) | .375 (9.53) |
| 07 | 16 | .395 (10.0) | .438 (11.1) | 1.210 (30.7) | /4-204-0 | /5-108-0 | .358 (9.10) | .500 (12.7) |
| 09 | 20 | .510 (13.0) | .562 (14.3) | 1.210 (30.7) | /4-204-0 | /5-109-0 | .482 (12.2) | .625 (15.9) |
| 11 | 24 | .621 (15.8) | .688 (17.5) | 1.210 (30.7) | /4-205-0 | /5-109-0 | .545 (13.8) | .750 (19.1) |
| 13 | 28 | .736 (18.7) | .812 (20.6) | 1.360 (34.5) | /4-205-0 | /5-110-0 | .670 (17.0) | .875 (22.2) |
| 15 | 32 | .851 (21.6) | .938 (23.8) | 1.510 (38.4) | /4-206-0 | /5-110-0 | .795 (20.2) | 1.000 (25.4) |
| 17 | 36 | .966 (24.5) | 1.062 (27.0) | 1.510 (38.4) | /4-206-0 | /5-111-0 | .889 (22.6) | 1.125 (28.6) |
| 19 | 40 | 1.091 (27.7) | 1.188 (30.2) | 1.510 (38.4) | /4-206-0 | /5-111-0 | 1.104 (28.0) | 1.250 (31.8) |