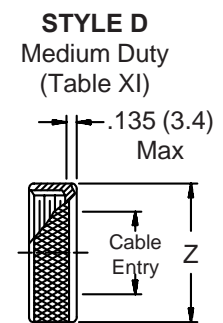
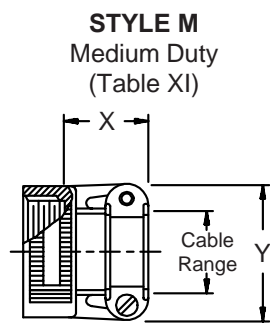
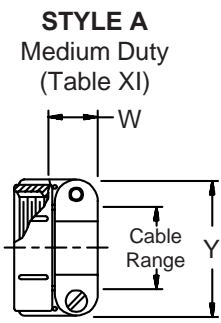
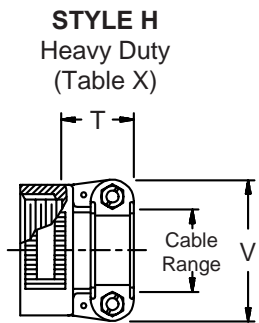
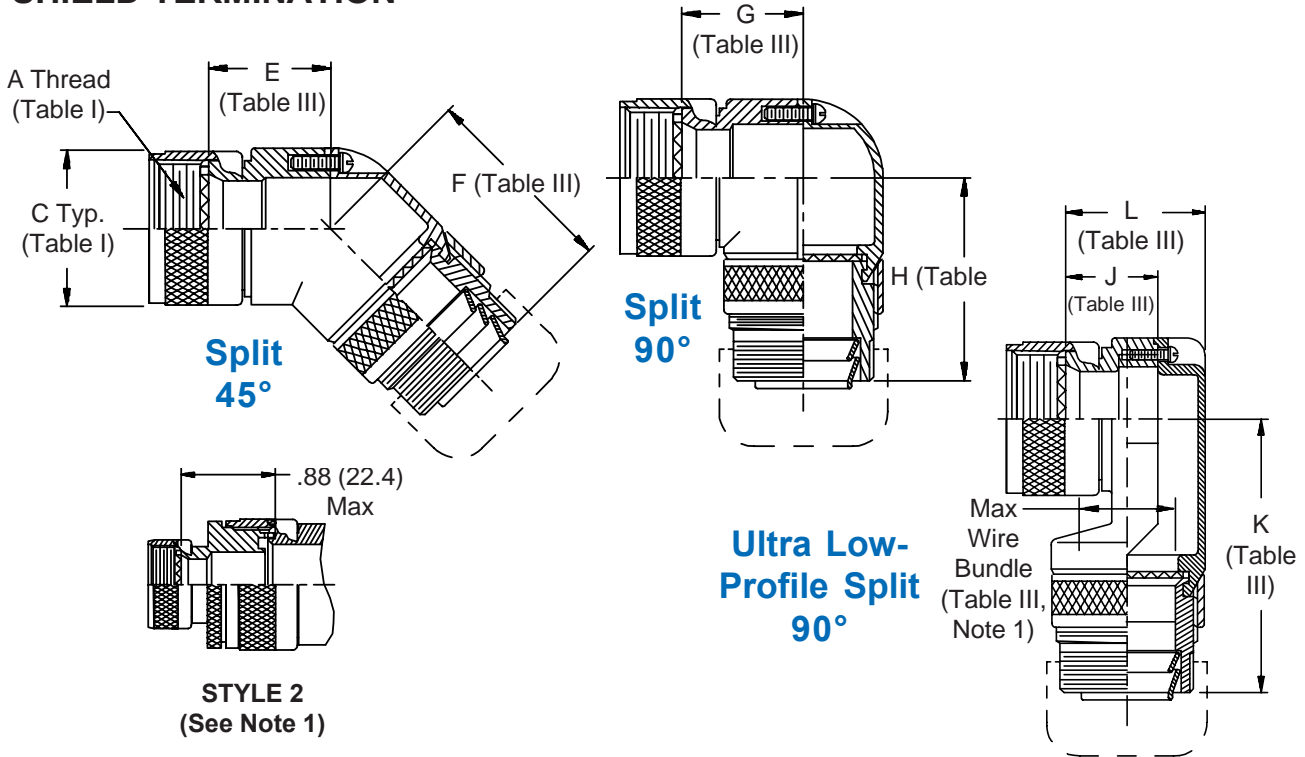
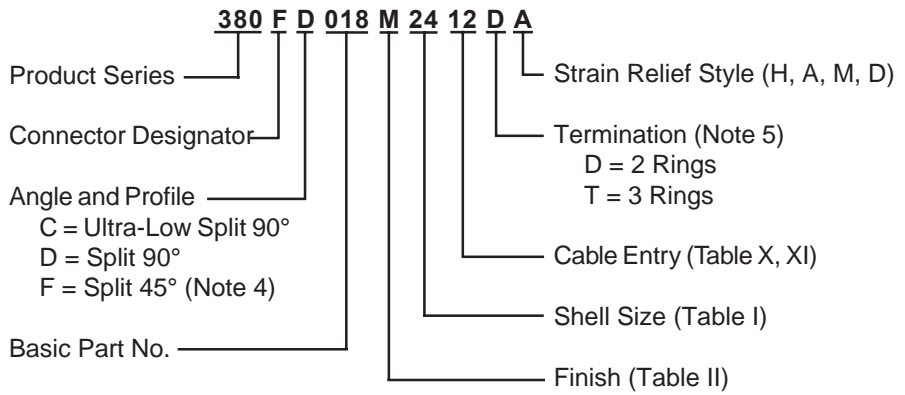


**CONNECTOR
 DESIGNATORS
 A-F-H-L-S
 ROTATABLE
 COUPLING
 TYPE E INDIVIDUAL
 AND/OR OVERALL
 SHIELD TERMINATION**



380-018
EMI/RFI Non-Environmental Backshell
 with Strain Relief
 Type E - Rotatable Coupling - Split Shell



See inside back cover fold-out or pages 13 and 14 for unabridged Tables I and II.

TABLE III: ELBOW DIMENSIONS

| Shell Size | E | F | G | H | J | K | L | Function C |
|------------|-------------|--------------|--------------|--------------|-------------|--------------|--------------|-------------|
| | Max | Max | Max | Max | Max | Max | Max | Wire Bundle |
| 08/09 | .440 (11.2) | 1.590 (40.4) | .680 (17.3) | 1.530 (38.9) | .340 (8.6) | 1.840 (46.7) | .681 (17.3) | .250 (6.4) |
| 10/11 | .500 (12.7) | 1.650 (41.9) | .750 (19.1) | 1.590 (40.4) | .270 (6.9) | 2.000 (50.8) | .731 (18.6) | .375 (9.5) |
| 12/13 | .560 (14.2) | 1.720 (43.7) | .810 (20.6) | 1.660 (42.2) | .270 (6.9) | 2.000 (50.8) | .731 (18.6) | .375 (9.5) |
| 14/15 | .620 (15.7) | 1.750 (44.5) | .870 (22.1) | 1.690 (42.9) | .280 (7.1) | 2.070 (52.6) | .831 (21.1) | .500 (12.7) |
| 16/17 | .680 (17.3) | 1.850 (47.0) | .930 (23.6) | 1.790 (45.5) | .420 (10.7) | 2.120 (53.8) | .981 (24.9) | .625 (15.9) |
| 18/19 | .750 (19.1) | 1.910 (48.5) | 1.000 (25.4) | 1.850 (47.0) | .640 (16.3) | 2.150 (54.6) | 1.181 (30.0) | .625 (15.9) |
| 20/21 | .820 (20.8) | 1.970 (50.0) | 1.060 (26.9) | 1.910 (48.5) | .640 (16.3) | 2.150 (54.6) | 1.181 (30.0) | .625 (15.9) |
| 22/23 | .880 (22.4) | 2.030 (51.6) | 1.120 (28.4) | 1.970 (50.0) | .540 (13.7) | 2.300 (58.4) | 1.181 (30.0) | .750 (19.1) |
| 24/25 | .940 (23.9) | 2.090 (53.1) | 1.180 (30.0) | 2.030 (51.6) | .540 (13.7) | 2.300 (58.4) | 1.181 (30.0) | .750 (19.1) |

TABLE X: CABLE ENTRY

| Dash No. | T Max | V Max | Cable Range | |
|----------|--------------|--------------|--------------|--------------|
| | | | Min | Max |
| 04 | .780 (19.8) | .957 (24.3) | .125 (3.2) | .312 (7.9) |
| 06 | .780 (19.8) | 1.145 (29.1) | .250 (6.4) | .437 (11.1) |
| 08 | .780 (19.8) | 1.332 (33.8) | .312 (7.9) | .562 (14.3) |
| 10 | .780 (19.8) | 1.332 (33.8) | .350 (8.9) | .625 (15.9) |
| 12 | .811 (20.6) | 1.551 (39.4) | .500 (12.7) | .750 (19.1) |
| 16 | .905 (23.0) | 1.770 (45.0) | .625 (15.9) | .937 (23.8) |
| 20 | 1.092 (27.7) | 2.113 (53.7) | .875 (22.2) | 1.250 (31.8) |
| 24 | 1.124 (28.5) | 2.363 (60.0) | 1.000 (25.4) | 1.375 (34.9) |
| 28 | 1.399 (35.5) | 2.770 (70.4) | 1.250 (31.8) | 1.625 (41.3) |
| 32 | 1.399 (35.5) | 3.020 (76.7) | 1.437 (36.5) | 1.875 (47.6) |

- When maximum cable entry (page 21) is exceeded, Style 2 will be supplied (not available in Function C). Dimensions E, F, G and H will not apply. Please consult factory.
- Metric dimensions (mm) are indicated in parentheses.
- Cable range is defined as the accommodations range for the wire bundle or cable. Dimensions shown are not intended for inspection criteria.

- Consult factory for available sizes of 45° (Symbol F).
- Designate termination symbol T for 3 ring termination of individual and overall braid. Designate D for standard 2 ring termination of individual or overall braid.
- Angular function "C", low-profile split elbow, not available with "S" connector designator.

TABLE II: STANDARD FINISHES

| GLENAIR SYMBOL | FINISH |
|---|---|
| B | Cadmium Plate, Olive Drab |
| M | Electroless Nickel |
| NF | Cadmium Plate, Olive Drab Over Electroless Nickel |
| See Inside Back Cover for Additional Finish Options | |

TABLE XI: CABLE ENTRY

| Dash No. | W Max | X Max | Y Max | Z Max | Cable Range | |
|----------|--------------|--------------|--------------|--------------|--------------|--------------|
| | | | | | Min ** | Max |
| 03* | .437 (11.1) | .760 (19.3) | .843 (21.4) | .630 (16.0) | .156 (4.0) | .250 (6.4) |
| 04* | .437 (11.1) | .760 (19.3) | .906 (23.0) | .755 (19.2) | .188 (4.8) | .312 (7.9) |
| 06* | .500 (12.7) | .760 (19.3) | 1.093 (27.8) | .942 (23.9) | .281 (7.1) | .438 (11.1) |
| 08 | .563 (14.3) | .760 (19.3) | 1.187 (30.1) | 1.067 (27.1) | .344 (8.7) | .562 (14.3) |
| 10 | .563 (14.3) | .760 (19.3) | 1.281 (32.5) | 1.192 (30.3) | .375 (9.5) | .625 (15.9) |
| 12 | .563 (14.3) | .760 (19.3) | 1.500 (38.1) | 1.380 (35.1) | .438 (11.1) | .750 (19.1) |
| 16 | .656 (16.7) | 1.073 (27.3) | 1.719 (43.7) | 1.535 (39.0) | .562 (14.3) | .938 (23.8) |
| 20 | .656 (16.7) | 1.323 (33.6) | 2.062 (52.4) | 1.848 (46.9) | .750 (19.1) | 1.250 (31.8) |
| 24 | .656 (16.7) | 1.323 (33.6) | 2.312 (58.7) | 2.255 (57.3) | .781 (19.8) | 1.375 (34.9) |
| 28 | 1.188 (30.2) | 1.572 (39.9) | 2.719 (69.1) | 2.505 (63.6) | .969 (24.6) | 1.625 (41.3) |
| 32* | 1.187 (30.1) | 1.572 (39.9) | 2.969 (75.4) | 2.755 (70.0) | 1.125 (28.6) | 1.875 (47.6) |
| 40* | 1.125 (28.6) | 1.572 (39.9) | 3.531 (89.7) | 3.255 (82.7) | 1.469 (37.3) | 2.375 (60.3) |

* Not available in Style M clamp. ** Not Applicable Style D