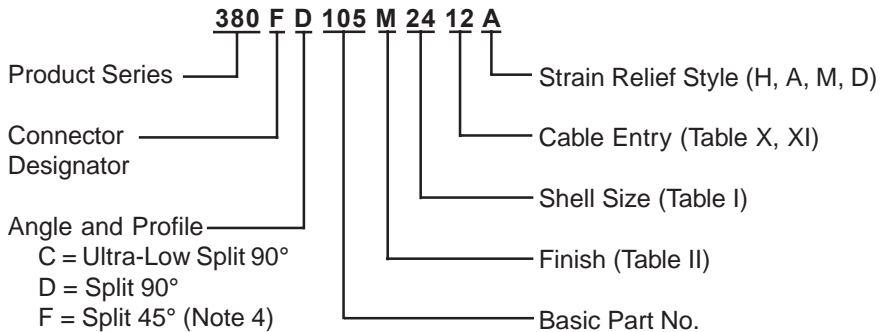
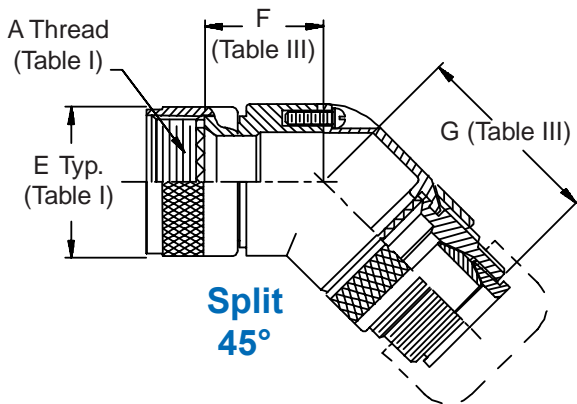


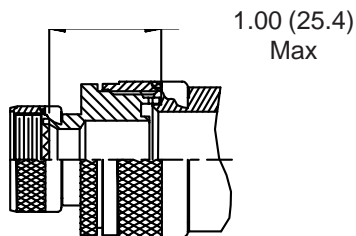
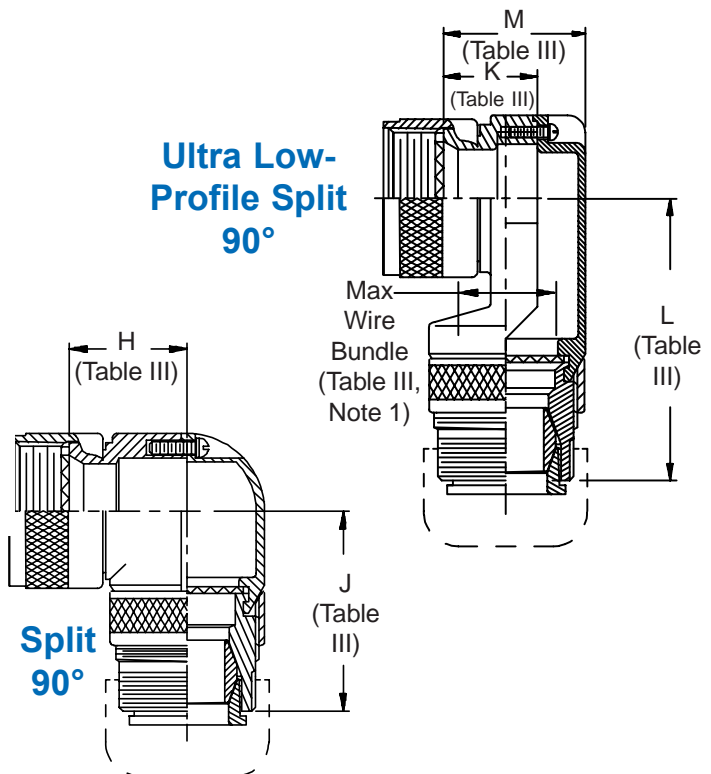
CONNECTOR DESIGNATORS
A-F-H-L-S
SELF-LOCKING
ROTATABLE COUPLING



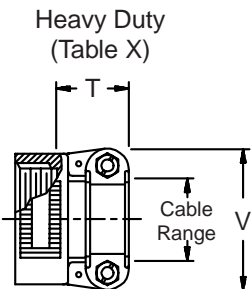
TYPE F INDIVIDUAL AND/OR OVERALL SHIELD TERMINATION



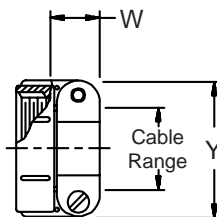
Ultra Low-Profile Split 90°



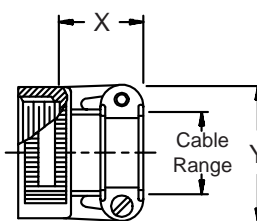
STYLE 2
 (See Note 1)



STYLE A
 Medium Duty (Table XI)



STYLE M
 Medium Duty (Table XI)



STYLE D
 Medium Duty (Table XI)

