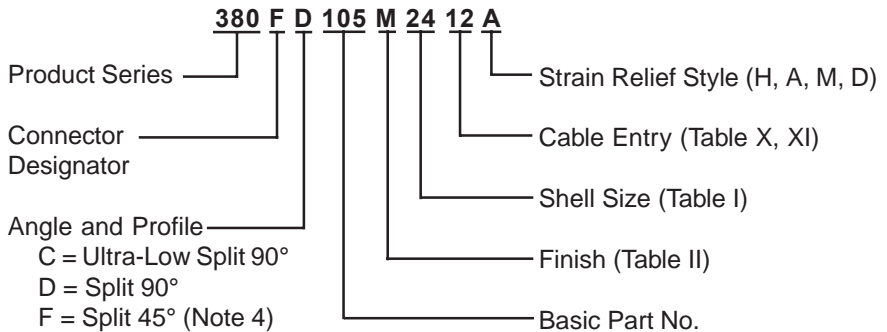
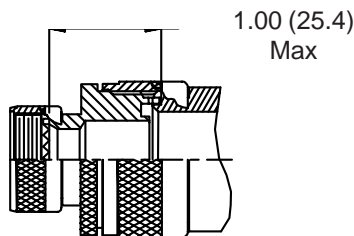
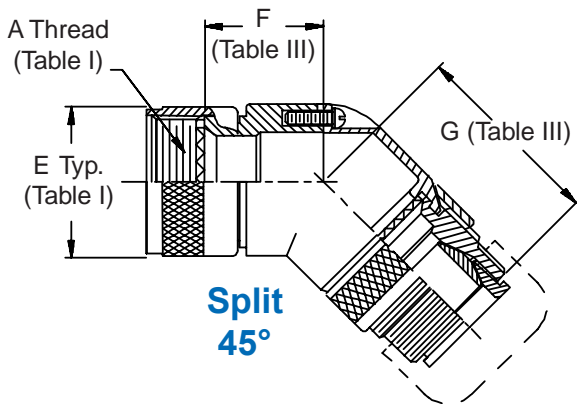


**CONNECTOR DESIGNATORS**  
**A-F-H-L-S**  
**SELF-LOCKING**  
**ROTATABLE COUPLING**

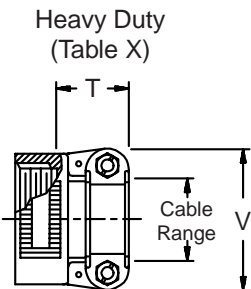
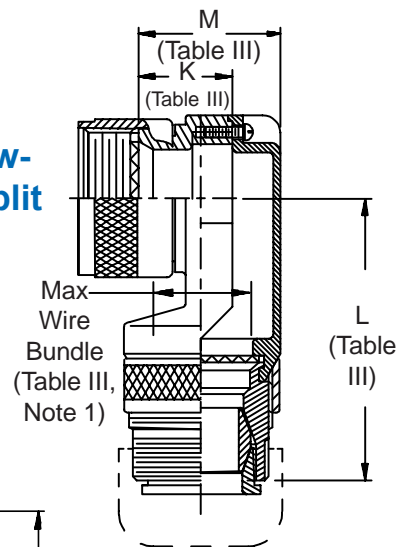
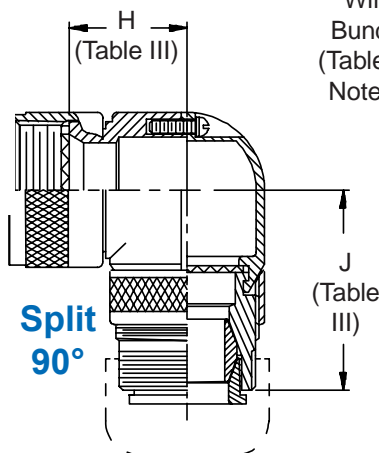


**TYPE F INDIVIDUAL AND/OR OVERALL SHIELD TERMINATION**

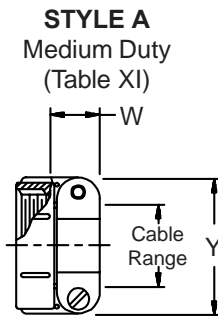


**STYLE 2**  
(See Note 1)

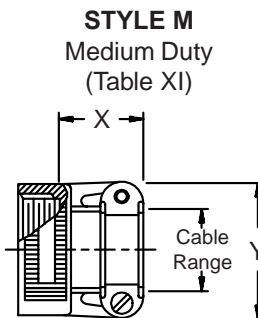
**Ultra Low-Profile Split 90°**



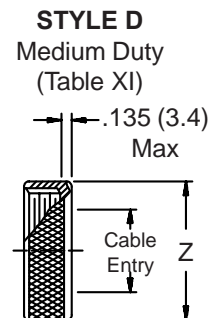
**STYLE 2**  
Heavy Duty (Table X)



**STYLE A**  
Medium Duty (Table XI)



**STYLE M**  
Medium Duty (Table XI)



**STYLE D**  
Medium Duty (Table XI)

**380-105**  
**EMI/RFI Non-Environmental Backshell**  
 with Strain Relief  
**Type F - Self-Locking - Rotatable Coupling - Split Shell**



**TABLE III ELBOW DIMENSIONS**

Shell Size	F Max	G Max	H Max	J Max	K Max	L Max	M Max	Function C Max Wire Bundle
08/09	.596 (15.1)	1.590 (40.4)	.836 (21.2)	1.530 (38.9)	.496 (12.6)	1.780 (45.2)	.837 (21.3)	.250 (6.4)
10/11	.656 (16.7)	1.650 (41.9)	.906 (23.0)	1.590 (40.4)	.426 (10.8)	1.940 (49.3)	.887 (22.5)	.375 (9.5)
12/13	.716 (18.2)	1.720 (43.7)	.966 (24.5)	1.660 (42.2)	.426 (10.8)	1.940 (49.3)	.887 (22.5)	.375 (9.5)
14/15	.776 (19.7)	1.750 (44.5)	1.026 (26.1)	1.690 (42.9)	.436 (11.1)	2.010 (51.1)	.987 (25.1)	.500 (12.7)
16/17	.836 (21.2)	1.850 (47.0)	1.086 (27.6)	1.790 (45.5)	.576 (14.6)	2.060 (52.3)	1.137 (28.9)	.625 (15.9)
18/19	.906 (23.0)	1.910 (48.5)	1.156 (29.4)	1.850 (47.0)	.796 (20.2)	2.090 (53.1)	1.337 (34.0)	.625 (15.9)
20/21	.976 (24.8)	1.970 (50.0)	1.216 (30.9)	1.910 (48.5)	.796 (20.2)	2.090 (53.1)	1.337 (34.0)	.625 (15.9)
22/23	1.036 (26.3)	2.030 (51.6)	1.276 (32.4)	1.970 (50.0)	.696 (17.7)	2.240 (56.9)	1.337 (34.0)	.750 (19.1)
24/25	1.096 (27.8)	2.090 (53.1)	1.336 (33.9)	2.030 (51.6)	.696 (17.7)	2.240 (56.9)	1.337 (34.0)	.750 (19.1)

**TABLE X: CABLE ENTRY**

Dash No.	T Max	V Max	Cable Range	
			Min	Max
04	.780 (19.8)	.957 (24.3)	.125 (3.2)	.312 (7.9)
06	.780 (19.8)	1.145 (29.1)	.250 (6.4)	.437 (11.1)
08	.780 (19.8)	1.332 (33.8)	.312 (7.9)	.562 (14.3)
10	.780 (19.8)	1.332 (33.8)	.350 (8.9)	.625 (15.9)
12	.811 (20.6)	1.551 (39.4)	.500 (12.7)	.750 (19.1)
16	.905 (23.0)	1.770 (45.0)	.625 (15.9)	.937 (23.8)
20	1.092 (27.7)	2.113 (53.7)	.875 (22.2)	1.250 (31.8)
24	1.124 (28.5)	2.363 (60.0)	1.000 (25.4)	1.375 (34.9)
28	1.399 (35.5)	2.770 (70.4)	1.250 (31.8)	1.625 (41.3)
32	1.399 (35.5)	3.020 (76.7)	1.437 (36.5)	1.875 (47.6)

**TABLE II: STANDARD FINISHES**

GLENAIR SYMBOL	FINISH
B	Cadmium Plate, Olive Drab
M	Electroless Nickel
NF	Cadmium Plate, Olive Drab Over Electroless Nickel
See Inside Back Cover for Additional Finish Options	

See inside back cover  
 fold-out or pages 13 and  
 14 for unabridged  
 Tables I and II.

**TABLE XI: CABLE ENTRY**

Dash No.	W Max	X Max	Y Max	Z Max	Cable Range	
					Min **	Max
03*	.437 (11.1)	.760 (19.3)	.843 (21.4)	.630 (16.0)	.156 (4.0)	.250 (6.4)
04*	.437 (11.1)	.760 (19.3)	.906 (23.0)	.755 (19.2)	.188 (4.8)	.312 (7.9)
06*	.500 (12.7)	.760 (19.3)	1.093 (27.8)	.942 (23.9)	.281 (7.1)	.438 (11.1)
08	.563 (14.3)	.760 (19.3)	1.187 (30.1)	1.067 (27.1)	.344 (8.7)	.562 (14.3)
10	.563 (14.3)	.760 (19.3)	1.281 (32.5)	1.192 (30.3)	.375 (9.5)	.625 (15.9)
12	.563 (14.3)	.760 (19.3)	1.500 (38.1)	1.380 (35.1)	.438 (11.1)	.750 (19.1)
16	.656 (16.7)	1.073 (27.3)	1.719 (43.7)	1.535 (39.0)	.562 (14.3)	.938 (23.8)
20	.656 (16.7)	1.323 (33.6)	2.062 (52.4)	1.848 (46.9)	.750 (19.1)	1.250 (31.8)
24	.656 (16.7)	1.323 (33.6)	2.312 (58.7)	2.255 (57.3)	.781 (19.8)	1.375 (34.9)
28	1.188 (30.2)	1.572 (39.9)	2.719 (69.1)	2.505 (63.6)	.969 (24.6)	1.625 (41.3)
32*	1.187 (30.1)	1.572 (39.9)	2.969 (75.4)	2.755 (70.0)	1.125 (28.6)	1.875 (47.6)
40*	1.125 (28.6)	1.572 (39.9)	3.531 (89.7)	3.255 (82.7)	1.469 (37.3)	2.375 (60.3)

\* Not available in Style M clamp.

\*\* Not Applicable Style D

1. When maximum cable entry (page 21) is exceeded, Style 2 will be supplied (not available in Function C). Dimensions F, G, H and J will not apply. Please consult factory.
2. Metric dimensions (mm) are indicated in parentheses.
3. Cable range is defined as the accommodations range for the wire bundle or cable. Dimensions shown are not intended for inspection criteria.
4. Consult factory for available sizes of 45° (Function F).
5. Angular function "C", low-profile split elbow, not available with "S" connector designator.