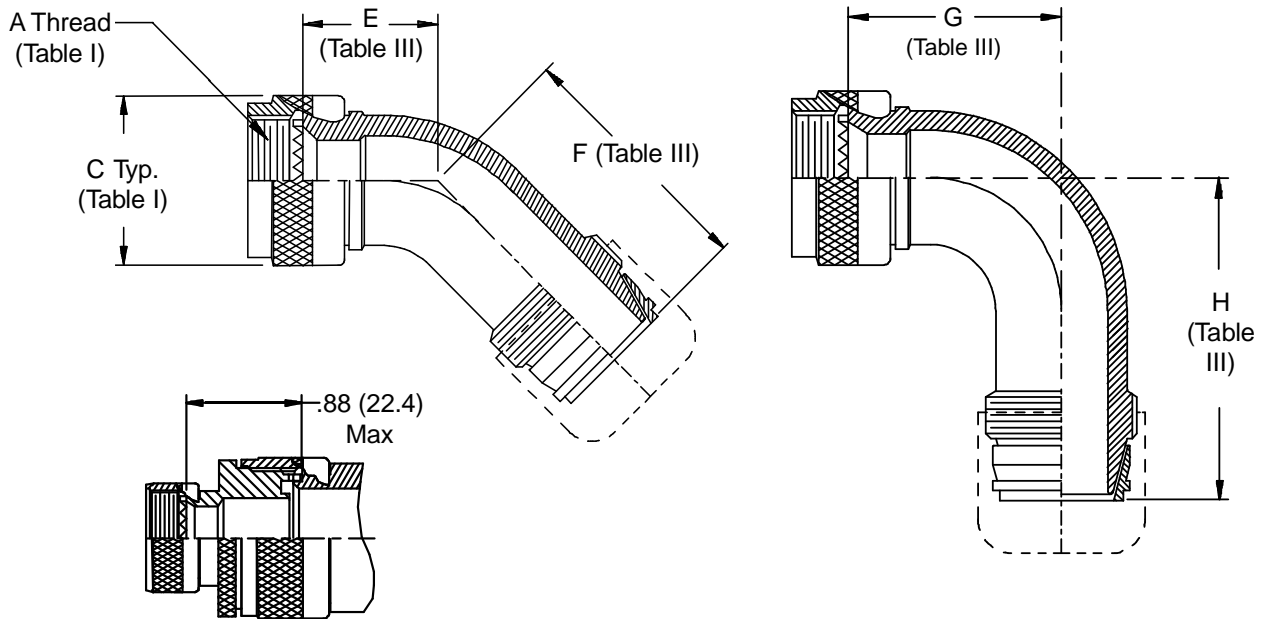
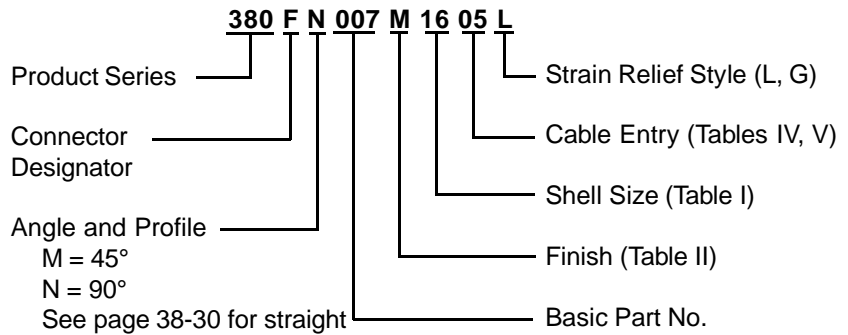


**CONNECTOR  
 DESIGNATORS  
 A-F-H-L-S  
 ROTATABLE  
 COUPLING**

**TYPE C OVERALL  
 SHIELD TERMINATION**

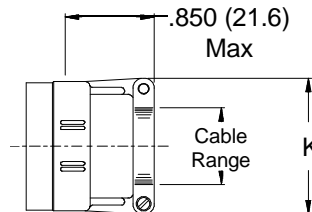


**STYLE 2**  
 (See Note 1)

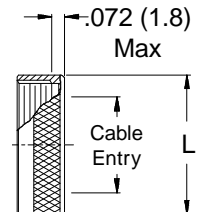
**-445** Now Available with the "NESTOR"

**Glenair's Non-Detent, Spring-Loaded, Self-Locking Coupling.**  
 Add "-445" to Specify This AS85049 Style "N" Coupling Interface.

**STYLE L**  
 Light Duty  
 (Table IV)



**STYLE G**  
 Light Duty  
 (Table V)



**380-007**  
**EMI/RFI Non-Environmental Backshell**  
**Light-Duty with Strain Relief**  
**Type C - Rotatable Coupling - Full Radius Profile**



See inside back cover fold-out or  
 pages 13 and 14 for unabridged  
 Tables I and II.

Shell Size		E Max	F Max	G Max	H Max
Conn. Desig. A-F-L-S	H				
08	09	.807 (20.5)	1.177 (29.9)	1.125 (28.6)	1.495 (38.0)
10	11	.861 (21.9)	1.231 (31.3)	1.250 (31.8)	1.620 (41.1)
12	13	.911 (23.1)	1.281 (32.5)	1.375 (34.9)	1.745 (44.3)
14	15	.965 (24.5)	1.335 (33.9)	1.500 (38.1)	1.870 (47.5)
16	17	1.014 (25.8)	1.384 (35.2)	1.625 (41.3)	1.995 (50.7)
18	19	1.064 (27.0)	1.434 (36.4)	1.750 (44.5)	2.120 (53.8)
20	21	1.118 (28.4)	1.488 (37.8)	1.875 (47.6)	2.245 (57.0)
22	23	1.172 (29.8)	1.542 (39.2)	2.000 (50.8)	2.370 (60.2)
24	25	1.221 (31.0)	1.591 (40.4)	2.125 (54.0)	2.495 (63.4)
28		1.325 (33.7)	1.695 (43.1)	2.375 (60.3)	2.745 (69.7)
32		1.428 (36.3)	1.798 (45.7)	2.625 (66.7)	2.865 (72.8)

GLENAIR SYMBOL	FINISH
B	Cadmium Plate, Olive Drab
M	Electroless Nickel
NF	Cadmium Plate, Olive Drab Over Electroless Nickel

See Inside Back Cover  
for Additional Finish Options

Dash No.	K Max	Cable Range	
		Min	Max
01	.781 (19.8)	.062 (1.6)	.125 (3.2)
02	.968 (24.6)	.125 (3.2)	.250 (6.4)
03	1.046 (26.6)	.250 (6.4)	.375 (9.5)
04	1.156 (29.4)	.250 (6.4)	.500 (12.7)
05	1.218 (30.9)	.375 (9.5)	.625 (15.9)
06	1.343 (34.1)	.500 (12.7)	.750 (19.1)
07	1.468 (37.3)	.625 (15.9)	.875 (22.2)
08	1.593 (40.5)	.625 (15.9)	1.000 (25.4)
09	1.718 (43.6)	.750 (19.1)	1.125 (28.6)
10	1.843 (46.8)	.875 (22.2)	1.250 (31.8)

Dash No.	L Max	Cable Entry Max
01	.593 (15.1)	.125 (3.2)
02	.718 (18.2)	.250 (6.4)
03	.843 (21.4)	.375 (9.5)
04	.968 (24.6)	.500 (12.7)
05	1.109 (28.2)	.625 (15.9)
06	1.218 (30.9)	.750 (19.1)
07	1.343 (34.1)	.875 (22.2)
08	1.468 (37.3)	1.000 (25.4)
09	1.593 (40.5)	1.125 (28.6)
10	1.718 (43.6)	1.250 (31.8)

1. When maximum cable entry (page 21) is exceeded, Style 2 will be supplied. Dimensions E, F, G and H will not apply. Please consult factory.
2. Metric dimensions (mm) are indicated in parentheses.
3. Cable range is defined as the accommodations range for the wire bundle or cable. Dimensions shown are not intended for inspection criteria.