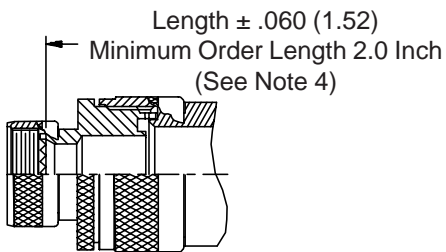
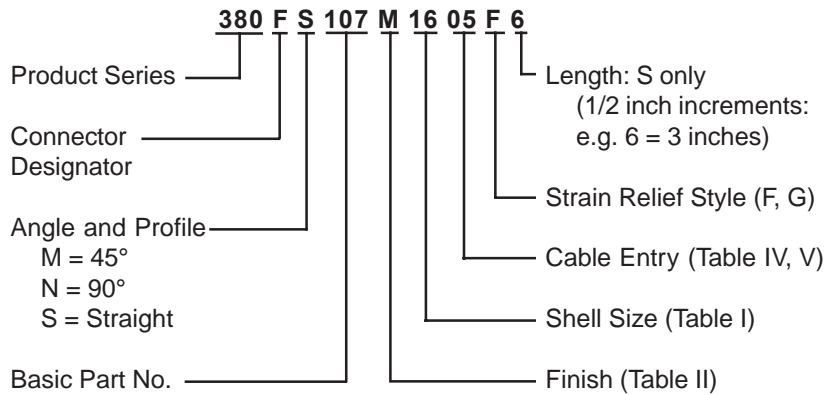
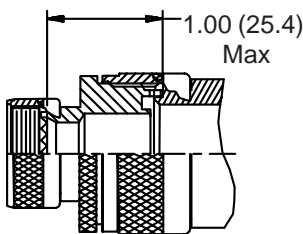
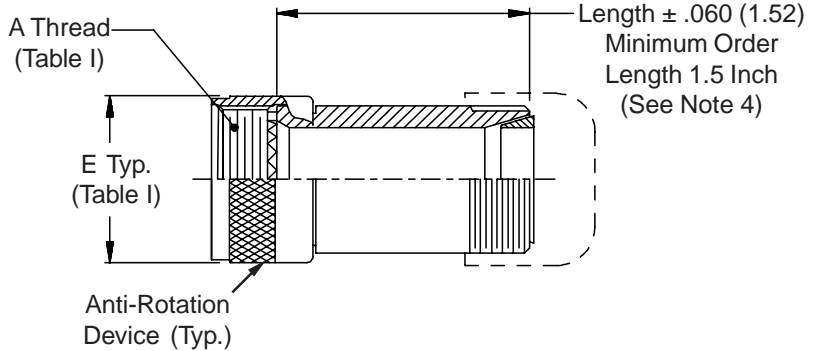


**CONNECTOR
 DESIGNATORS
 A-F-H-L-S
 SELF-LOCKING
 ROTATABLE
 COUPLING**

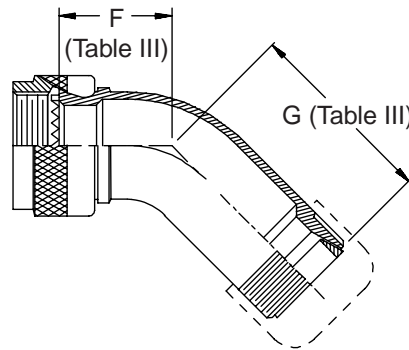
**TYPE D INDIVIDUAL
 OR OVERALL
 SHIELD TERMINATION**



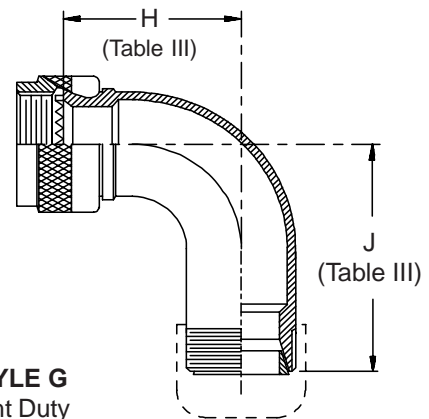
**STYLE 2
 (STRAIGHT
 See Note 1)**



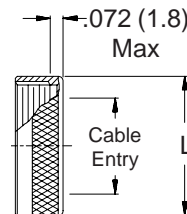
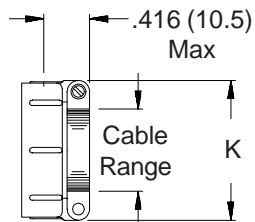
**STYLE 2
 (45° & 90°
 See Note 1)**



**STYLE F
 Light Duty
 (Table IV)**



**STYLE G
 Light Duty
 (Table V)**



380-107 EMI/RFI Non-Environmental Backshell with Strain Relief Type D - Self-Locking - Rotatable Coupling - Full Radius



See inside back cover fold-out or pages 13 and 14 for unabridged Tables I and II.

GLENAIR	
SYMBOL	FINISH
B	Cadmium Plate, Olive Drab
M	Electroless Nickel
NF	Cadmium Plate, Olive Drab Over Electroless Nickel
See Inside Back Cover for Additional Finish Options	

Shell Size		F Max	G Max	H Max	J Max
Conn. Desig. A-F-L-S	H				
08	09	.963 (24.5)	.857 (21.8)	1.281 (32.5)	1.175 (29.8)
10	11	1.017 (25.8)	.911 (23.1)	1.406 (35.7)	1.300 (33.0)
12	13	1.067 (27.1)	.961 (24.4)	1.531 (38.9)	1.425 (36.2)
14	15	1.121 (28.5)	1.015 (25.8)	1.656 (42.1)	1.550 (39.4)
16	17	1.170 (29.7)	1.064 (27.0)	1.781 (45.2)	1.675 (42.5)
18	19	1.220 (31.0)	1.114 (28.3)	1.906 (48.4)	1.800 (45.7)
20	21	1.274 (32.4)	1.168 (29.7)	2.031 (51.6)	1.925 (48.9)
22	23	1.328 (33.7)	1.222 (31.0)	2.156 (54.8)	2.050 (52.1)
24	25	1.377 (35.0)	1.271 (32.3)	2.281 (57.9)	2.175 (55.2)
28		1.481 (37.6)	1.375 (34.9)	2.531 (64.3)	2.425 (61.6)
32		1.584 (40.2)	1.478 (37.5)	2.781 (70.6)	2.675 (67.9)

Dash No.	K Max	Cable Range	
		Min	Max
02	.968 (24.6)	.125 (3.2)	.250 (6.4)
03	1.046 (26.6)	.250 (6.4)	.375 (9.5)
04	1.156 (29.4)	.312 (7.9)	.500 (12.7)
05	1.218 (30.9)	.437 (11.1)	.625 (15.9)
06	1.343 (34.1)	.562 (14.3)	.750 (19.1)
07	1.468 (37.3)	.687 (17.4)	.875 (22.2)
08	1.593 (40.5)	.812 (20.6)	1.000 (25.4)
10	1.843 (46.8)	1.062 (27.0)	1.250 (31.8)

Dash No.	L Max	Cable Entry Max
02	.781 (19.8)	.250 (6.4)
03	.906 (23.0)	.375 (9.5)
04	1.031 (26.2)	.500 (12.7)
05	1.156 (29.4)	.625 (15.9)
06	1.281 (32.5)	.750 (19.1)
07	1.406 (35.7)	.875 (22.2)
08	1.531 (38.9)	1.000 (25.4)
09	1.656 (42.1)	1.125 (28.6)
10	1.781 (45.2)	1.250 (31.8)

1. When maximum cable entry (page 21) is exceeded, Style 2 will be supplied. Dimensions F, G, H and J will not apply. Please consult factory.
2. Metric dimensions (mm) are indicated in parentheses.
3. Cable range is defined as the accommodations range for the wire bundle or cable. Dimensions shown are not intended for inspection criteria.
4. Consult factory for shorter lengths on straight backshells.