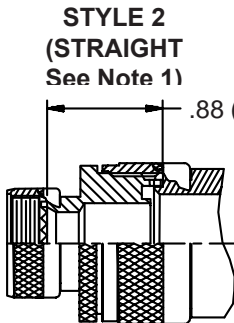
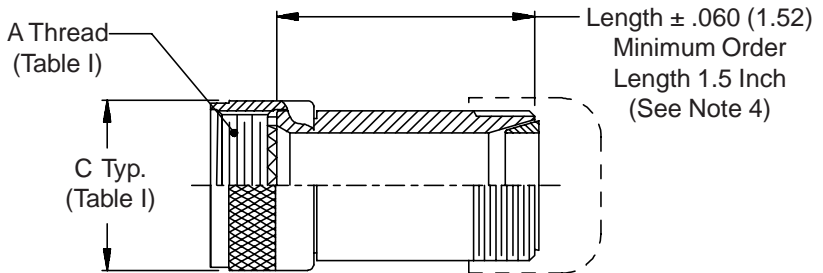
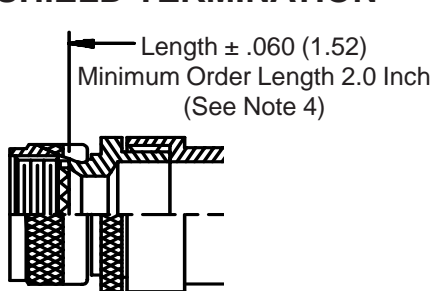
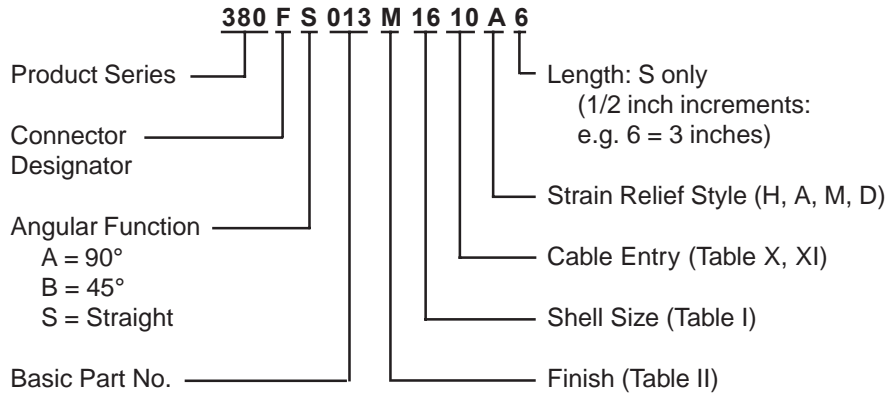
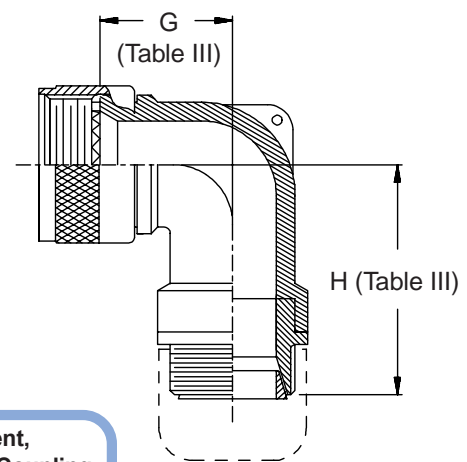
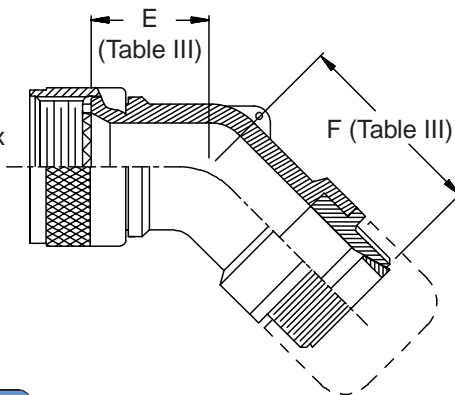


**CONNECTOR
DESIGNATORS
A-F-H-L-S
ROTATABLE
COUPLING**

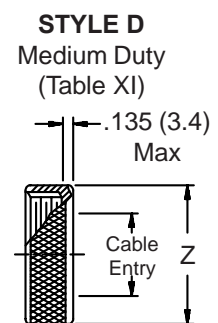
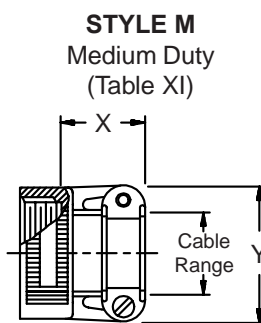
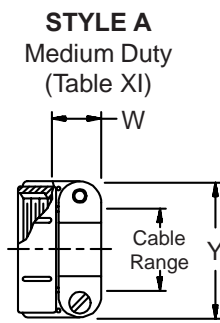
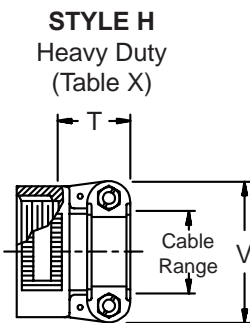
**TYPE D INDIVIDUAL
OR OVERALL
SHIELD TERMINATION**



**STYLE 2
(45° & 90°
See Note 1)**



-445 Add "-445" to Specify Glenair's Non-Detent, ("NESTOR") Spring-Loaded, Self-Locking Coupling. See Page 41 for Details.



380-013
EMI/RFI Non-Environmental Backshell
with Strain Relief
Type D - Rotatable Coupling - Low Profile



TABLE III: ELBOW DIMENSIONS

| Shell Size | | E | | F | | G | | H | |
|--------------|----|-------|--------|-------|--------|-------|--------|-------|--------|
| Conn. Desig. | H | Max | | Max | | Max | | Max | |
| A-F-L-S | | | | | | | | | |
| 08 | 09 | .457 | (11.6) | 1.730 | (43.9) | .560 | (14.2) | 1.680 | (42.7) |
| 10 | 11 | .520 | (13.2) | 1.730 | (43.9) | .660 | (16.8) | 1.800 | (45.7) |
| 12 | 13 | .582 | (14.8) | 1.790 | (45.5) | .670 | (17.0) | 1.820 | (46.2) |
| 14 | 15 | .645 | (16.4) | 1.880 | (47.8) | .760 | (19.3) | 1.890 | (48.0) |
| 16 | 17 | .738 | (18.7) | 1.990 | (50.5) | .950 | (24.1) | 1.980 | (50.3) |
| 18 | 19 | .926 | (23.5) | 2.180 | (55.4) | 1.030 | (26.2) | 2.150 | (54.6) |
| 20 | 21 | .926 | (23.5) | 2.180 | (55.4) | 1.030 | (26.2) | 2.150 | (54.6) |
| 22 | 23 | 1.020 | (25.9) | 2.330 | (59.2) | 1.180 | (30.0) | 2.260 | (57.4) |
| 24 | 25 | 1.020 | (25.9) | 2.330 | (59.2) | 1.180 | (30.0) | 2.260 | (57.4) |
| 28 | | 1.145 | (29.1) | 2.380 | (60.5) | 1.280 | (32.5) | 2.430 | (61.7) |
| 32 | | 1.207 | (30.7) | 2.480 | (63.0) | 1.630 | (41.4) | 2.680 | (68.1) |
| 36 | | 1.238 | (31.4) | 2.570 | (65.3) | 1.830 | (46.5) | 2.680 | (68.1) |

See inside back cover
fold-out or pages 13 and
14 for unabridged
Tables I and II.

TABLE II: STANDARD FINISHES

| GLENAIR | |
|--|--|
| SYMBOL | FINISH |
| B | Cadmium Plate, Olive Drab |
| M | Electroless Nickel |
| NF | Cadmium Plate, Olive Drab Over Electroless Nickel |
| See Inside Back Cover for Additional Finish Options | |

TABLE X: CABLE ENTRY

| Dash No. | T Max | V Max | Cable Range | |
|----------|--------------|--------------|--------------|--------------|
| | | | Min | Max |
| 04 | .780 (19.8) | .957 (24.3) | .125 (3.2) | .312 (7.9) |
| 06 | .780 (19.8) | 1.145 (29.1) | .250 (6.4) | .437 (11.1) |
| 08 | .780 (19.8) | 1.332 (33.8) | .312 (7.9) | .562 (14.3) |
| 10 | .780 (19.8) | 1.332 (33.8) | .350 (8.9) | .625 (15.9) |
| 12 | .811 (20.6) | 1.551 (39.4) | .500 (12.7) | .750 (19.1) |
| 16 | .905 (23.0) | 1.770 (45.0) | .625 (15.9) | .937 (23.8) |
| 20 | 1.092 (27.7) | 2.113 (53.7) | .875 (22.2) | 1.250 (31.8) |
| 24 | 1.124 (28.5) | 2.363 (60.0) | 1.000 (25.4) | 1.375 (34.9) |
| 28 | 1.399 (35.5) | 2.770 (70.4) | 1.250 (31.8) | 1.625 (41.3) |
| 32 | 1.399 (35.5) | 3.020 (76.7) | 1.437 (36.5) | 1.875 (47.6) |

- When maximum cable entry (page 21) is exceeded, Style 2 will be supplied. Dimensions E, F, G and H will not apply. Please consult factory.
- Metric dimensions (mm) are indicated in parentheses.
- Cable range is defined as the accommodations range for the wire bundle or cable. Dimensions shown are not intended for inspection criteria.
- Consult factory for shorter lengths on straight backshells.

TABLE XI: CABLE ENTRY

| Dash No. | W Max | X Max | Y Max | Z Max | Cable Range | |
|----------|--------------|--------------|--------------|--------------|--------------|--------------|
| | | | | | Min ** | Max |
| 03* | .437 (11.1) | .760 (19.3) | .843 (21.4) | .630 (16.0) | .156 (4.0) | .250 (6.4) |
| 04* | .437 (11.1) | .760 (19.3) | .906 (23.0) | .755 (19.2) | .188 (4.8) | .312 (7.9) |
| 06* | .500 (12.7) | .760 (19.3) | 1.093 (27.8) | .942 (23.9) | .281 (7.1) | .438 (11.1) |
| 08 | .563 (14.3) | .760 (19.3) | 1.187 (30.1) | 1.067 (27.1) | .344 (8.7) | .562 (14.3) |
| 10 | .563 (14.3) | .760 (19.3) | 1.281 (32.5) | 1.192 (30.3) | .375 (9.5) | .625 (15.9) |
| 12 | .563 (14.3) | .760 (19.3) | 1.500 (38.1) | 1.380 (35.1) | .438 (11.1) | .750 (19.1) |
| 16 | .656 (16.7) | 1.073 (27.3) | 1.719 (43.7) | 1.535 (39.0) | .562 (14.3) | .938 (23.8) |
| 20 | .656 (16.7) | 1.323 (33.6) | 2.062 (52.4) | 1.848 (46.9) | .750 (19.1) | 1.250 (31.8) |
| 24 | .656 (16.7) | 1.323 (33.6) | 2.312 (58.7) | 2.255 (57.3) | .781 (19.8) | 1.375 (34.9) |
| 28 | 1.188 (30.2) | 1.572 (39.9) | 2.719 (69.1) | 2.505 (63.6) | .969 (24.6) | 1.625 (41.3) |
| 32* | 1.187 (30.1) | 1.572 (39.9) | 2.969 (75.4) | 2.755 (70.0) | 1.125 (28.6) | 1.875 (47.6) |
| 40* | 1.125 (28.6) | 1.572 (39.9) | 3.531 (89.7) | 3.255 (82.7) | 1.469 (37.3) | 2.375 (60.3) |

* Not available in Style M clamp. ** Not Applicable Style D