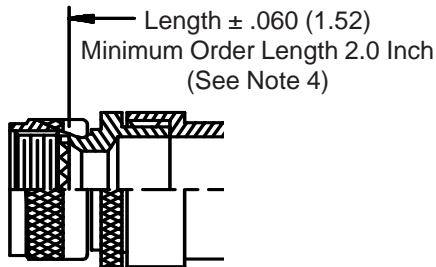
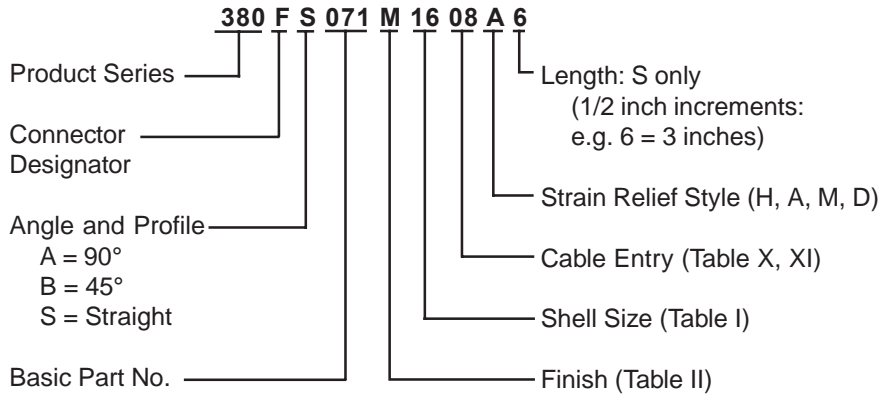
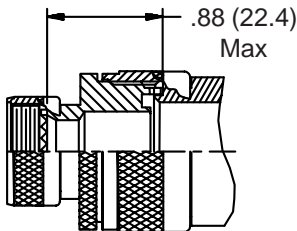
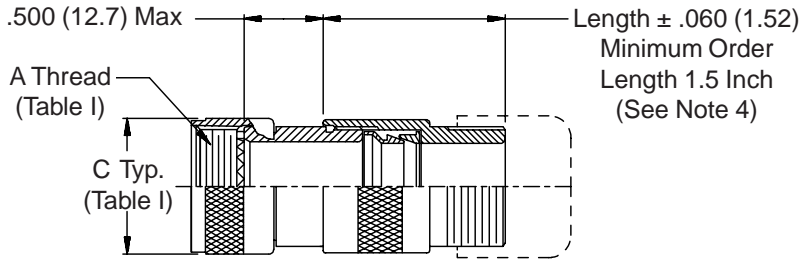


380-071
EMI/RFI Non-Environmental Backshell
 with Strain Relief
Type G - Rotatable Coupling - Low Profile

**CONNECTOR
 DESIGNATORS**
A-F-H-L-S
**ROTATABLE
 COUPLING**
**TYPE G INDIVIDUAL
 OR OVERALL
 SHIELD TERMINATION**



**STYLE 2
 (STRAIGHT
 See Note 1)**



**STYLE 2
 (45° & 90°
 See Note 1)**

