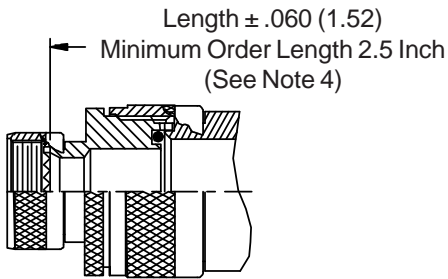
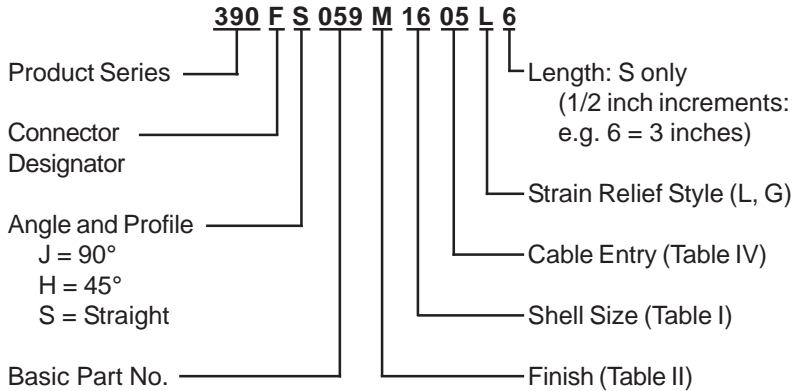
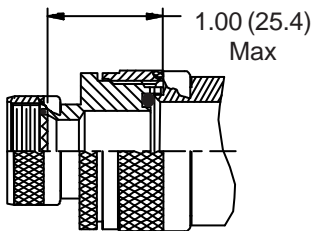


**CONNECTOR  
 DESIGNATORS  
 A-F-H-L-S  
 SELF-LOCKING  
 ROTATABLE  
 COUPLING**

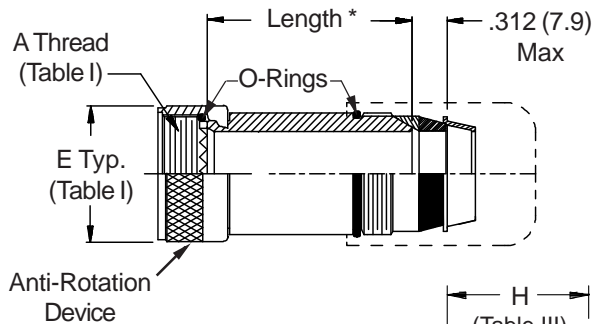
**TYPE C OVERALL  
 SHIELD TERMINATION**



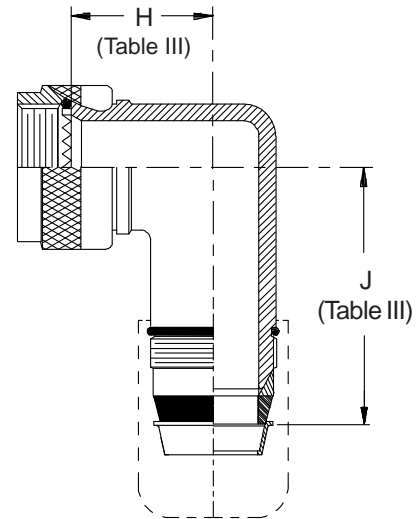
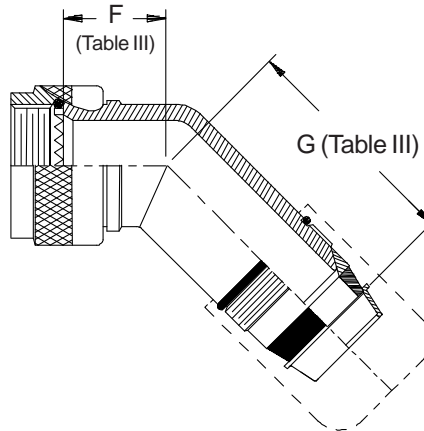
**STYLE 2  
 (STRAIGHT  
 See Note 1)**



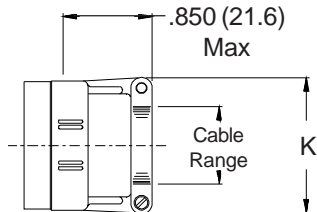
**STYLE 2  
 (45° & 90°  
 See Note 1)**



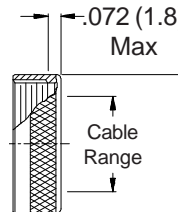
\* Length  $\pm .060$  (1.52)  
 Minimum Order Length 2.0 Inch  
 (See Note 4)



**STYLE L  
 Light Duty  
 (Table IV)**



**STYLE G  
 Light Duty  
 (Table IV)**



See inside back cover  
 fold-out or pages 13 and  
 14 for Tables I and II.

**TABLE III: ELBOW DIMENSIONS**

Shell Size		F Max	G Max	H Max	J Max
Conn. Desig. A-F-L-S	H				
08	09	.795 (20.2)	2.210 (56.1)	.906 (23.0)	2.080 (52.8)
10	11	.820 (20.8)	2.270 (57.7)	.966 (24.5)	2.120 (53.8)
12	13	.844 (21.4)	2.330 (59.2)	1.026 (26.1)	2.090 (53.1)
14	15	.861 (21.9)	2.420 (61.5)	1.076 (27.3)	2.090 (53.1)
16	17	.888 (22.6)	2.530 (64.3)	1.136 (28.9)	2.130 (54.1)
18	19	.904 (23.0)	2.720 (69.1)	1.176 (29.9)	2.250 (57.2)
20	21	.929 (23.6)	2.720 (69.1)	1.236 (31.4)	2.180 (55.4)
22	23	.956 (24.3)	2.870 (72.9)	1.296 (32.9)	2.240 (56.9)
24	25	.979 (24.9)	2.870 (72.9)	1.356 (34.4)	2.170 (55.1)
28		1.197 (30.4)	3.020 (76.7)	1.636 (41.6)	2.320 (58.9)
32		1.280 (32.5)	3.270 (83.1)	1.780 (45.2)	2.570 (65.3)
36		1.294 (32.9)	3.500 (88.9)	1.876 (47.7)	2.800 (71.1)

**TABLE IV: CABLE ENTRY**

Dash No.	K Max	L Max	Cable Range	
			Min	Max
01	.781 (19.8)	.593 (15.1)	.062 (1.6)	.125 (3.2)
02	.968 (24.6)	.718 (18.2)	.125 (3.2)	.250 (6.4)
03	1.046 (26.6)	.843 (21.4)	.250 (6.4)	.375 (9.5)
04	1.156 (29.4)	.968 (24.6)	.375 (9.5)	.500 (12.7)
05	1.218 (30.9)	1.109 (28.2)	.500 (12.7)	.625 (15.9)
06	1.343 (34.1)	1.218 (30.9)	.625 (15.9)	.750 (19.1)
07	1.468 (37.3)	1.343 (34.1)	.750 (19.1)	.875 (22.2)
08	1.593 (40.5)	1.468 (37.3)	.875 (22.2)	1.000 (25.4)
09	1.718 (43.6)	1.593 (40.5)	1.000 (25.4)	1.125 (28.6)
10	1.843 (46.8)	1.718 (43.6)	1.125 (28.6)	1.250 (31.8)

1. When maximum cable entry (page 21) is exceeded, Style 2 will be supplied. Dimensions F, G, H and J will not apply. Please consult factory.
2. Metric dimensions (mm) are indicated in parentheses.
3. Cable range is defined as the accommodations range for the wire bundle or cable. Dimensions shown are not intended for inspection criteria.
4. Consult factory for shorter lengths on straight backshells.
5. Interface O-Ring not supplied with Connector Designator A.