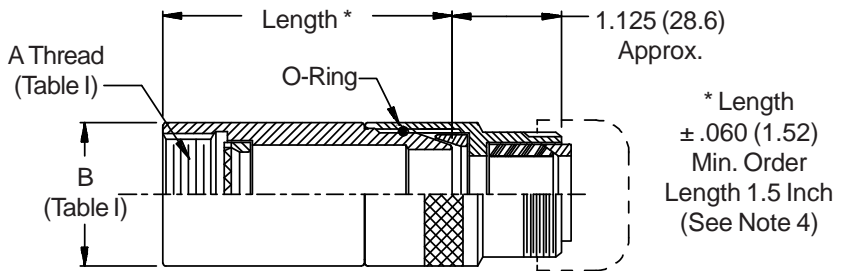
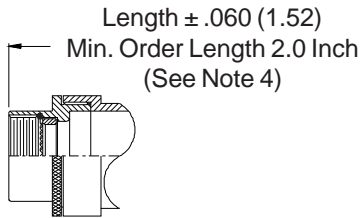
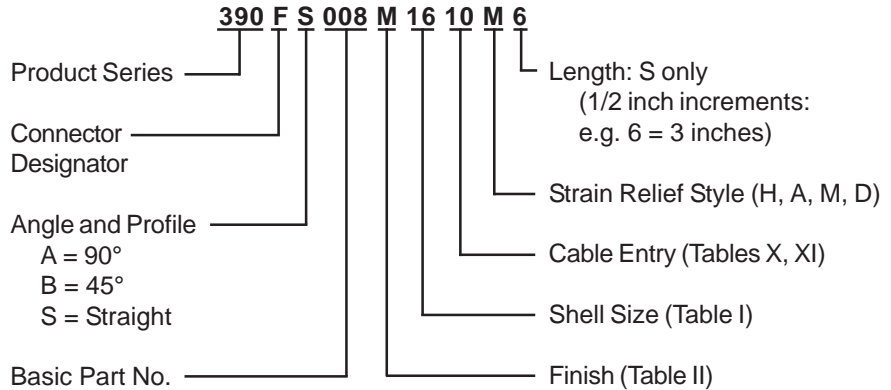


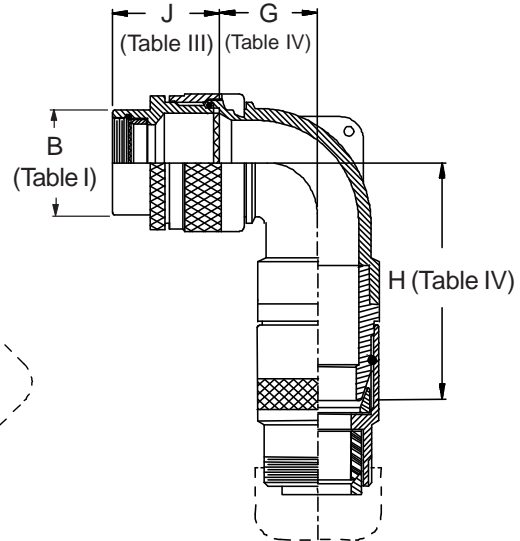
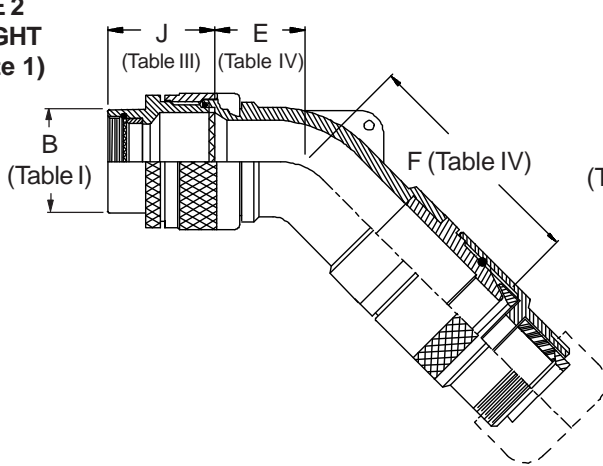
**CONNECTOR DESIGNATORS**  
**A-B\*-C-D-E-F**  
**G-H-J-K-L-S**

\* Conn. Desig. B See Note 5  
**DIRECT COUPLING**

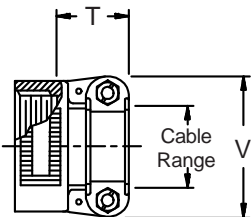
**TYPE C OVERALL SHIELD TERMINATION**



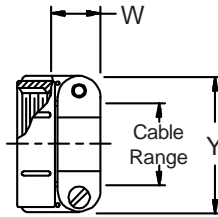
**STYLE 2 (STRAIGHT See Note 1)**



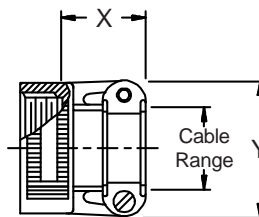
**STYLE H Heavy Duty (Table X)**



**STYLE A Medium Duty (Table XI)**



**STYLE M Medium Duty (Table XI)**



**STYLE D Medium Duty (Table XI)**

