

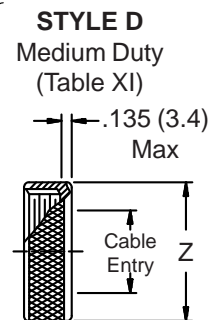
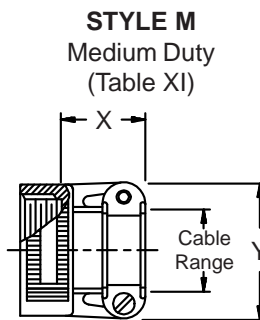
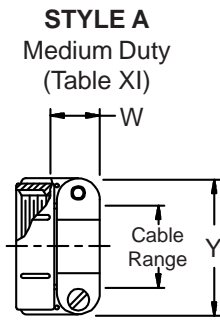
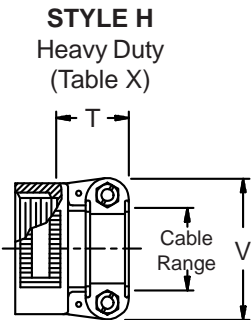
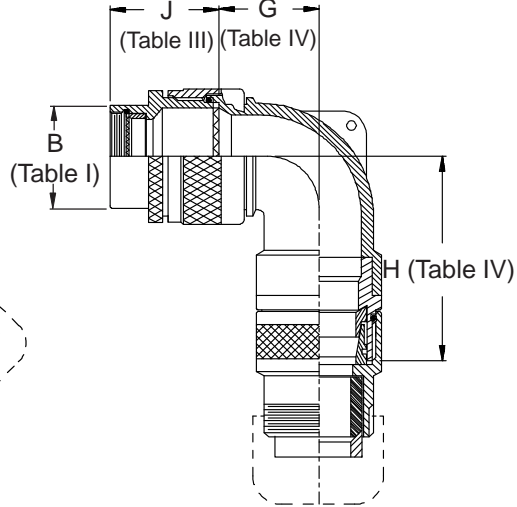
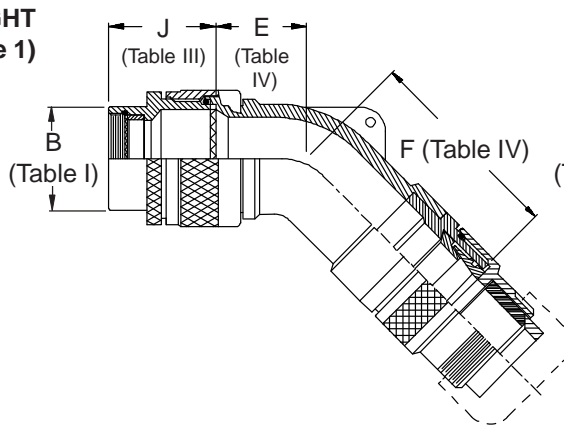
CONNECTOR DESIGNATORS
A-B*-C-D-E-F
G-H-J-K-L-S

* Conn. Desig. B See Note 5
DIRECT COUPLING

TYPE A OVERALL SHIELD TERMINATION



STYLE 2
 (STRAIGHT
 See Note 1)



390-002
Submersible EMI/RFI Cable Sealing Backshell
with Strain Relief
Type A - Direct Coupling - Low Profile



See inside back cover fold-out or pages 13 and 14 for Tables I and II.

| TABLE III: FRONT ADAPTER | | | |
|--------------------------|--------------------------|-------------|-------------|
| Shell Size | J Max - Conn. Designator | | |
| | A-E-F | | |
| | J-H-L-S | D-B-G-K | C |
| 08/09 | 1.180(30.0) | 1.440(36.6) | |
| 10/11 | 1.180(30.0) | 1.440(36.6) | |
| 12/13 | 1.180(30.0) | 1.440(36.6) | 1.735(44.1) |
| 14/15 | 1.180(30.0) | 1.440(36.6) | 1.915(48.6) |
| 16/17 | 1.380(35.0) | 1.560(39.6) | 1.915(48.6) |
| 18/19 | 1.380(35.0) | 1.560(39.6) | 1.915(48.6) |
| 20/21 | 1.380(35.0) | 1.560(39.6) | 1.915(48.6) |
| 22/23 | 1.380(35.0) | 1.560(39.6) | 1.915(48.6) |
| 24/25 | 1.380(35.0) | 1.560(39.6) | 1.915(48.6) |
| 28/29 | 1.610(40.9) | 1.560(39.6) | 1.915(48.6) |
| 32/33 | 1.610(40.9) | 1.750(44.5) | 1.915(48.6) |
| 36 | 1.610(40.9) | 1.750(44.5) | 1.915(48.6) |
| 40 | 1.610(40.9) | 2.190(55.6) | 1.915(48.6) |

| TABLE IV: ELBOW DIMENSIONS | | | | | | | |
|----------------------------|--------------|--------------|--------------|--------------|--|--|--|
| Dash No. | E Max | F Max | G Max | H Max | | | |
| 04 | .630 (16.0) | 2.117 (53.8) | .636 (16.2) | 2.067 (52.5) | | | |
| 06 | .630 (16.0) | 2.117 (53.8) | .710 (18.0) | 2.187 (55.5) | | | |
| 08 | .692 (17.6) | 2.179 (55.3) | .731 (18.6) | 2.207 (56.1) | | | |
| 10 | .755 (19.2) | 2.862 (72.7) | .825 (21.0) | 2.867 (72.8) | | | |
| 12 | .848 (21.5) | 2.972 (75.5) | .988 (25.1) | 2.957 (75.1) | | | |
| 16 | 1.036 (26.3) | 3.159 (80.2) | 1.087 (27.6) | 3.132 (79.6) | | | |
| 20 | 1.130 (28.7) | 3.368 (85.5) | 1.325 (33.7) | 3.303 (83.9) | | | |
| 24 | 1.255 (31.9) | 3.408 (86.6) | 1.337 (34.0) | 3.453 (87.7) | | | |
| 28 | 1.317 (33.5) | 3.553 (90.2) | 1.827 (46.4) | 3.703 (94.1) | | | |
| 32 | 1.348 (34.2) | 3.646 (92.6) | 2.027 (51.5) | 3.753 (95.3) | | | |

| TABLE X: CABLE ENTRY | | | | | | |
|----------------------|--------------|--------------|--------------|--------------|--|--|
| Dash No. | T Max | V Max | Cable Range | | | |
| | | | Min | | | |
| | | | Max | | | |
| 04 | .780 (19.8) | .957 (24.3) | .125 (3.2) | .312 (7.9) | | |
| 06 | .780 (19.8) | 1.145 (29.1) | .250 (6.4) | .437 (11.1) | | |
| 08 | .780 (19.8) | 1.332 (33.8) | .387 (9.8) | .562 (14.3) | | |
| 10 | .780 (19.8) | 1.332 (33.8) | .350 (8.9) | .625 (15.9) | | |
| 12 | .811 (20.6) | 1.551 (39.4) | .500 (12.7) | .750 (19.1) | | |
| 16 | .905 (23.0) | 1.770 (45.0) | .625 (15.9) | .937 (23.8) | | |
| 20 | 1.092 (27.7) | 2.113 (53.7) | .875 (22.2) | 1.250 (31.8) | | |
| 24 | 1.124 (28.5) | 2.363 (60.0) | 1.000 (25.4) | 1.375 (34.9) | | |
| 28 | 1.399 (35.5) | 2.770 (70.4) | 1.250 (31.8) | 1.625 (41.3) | | |
| 32 | 1.399 (35.5) | 3.020 (76.7) | 1.437 (36.5) | 1.875 (47.6) | | |

- When maximum cable entry (page 22) is exceeded, Style 2 will be supplied. (Function S only).
- Metric dimensions (mm) are indicated in parentheses.
- Cable range is defined as the accommodations range for the wire bundle or cable. Dimensions shown are not intended for inspection criteria.
- Consult factory for shorter lengths on straight backshells.
- When using Connector Designator B refer to pages 18 and 19 for part number development.

| TABLE XI: CABLE ENTRY | | | | | | | |
|-----------------------|--------------|--------------|--------------|--------------|--------------|--------------|--|
| Dash No. | W Max | X Max | Y Max | Z Max | Cable Range | | |
| | | | | | Min | | |
| | | | | | Max | | |
| 03* | .437 (11.1) | .760 (19.3) | .843 (21.4) | .630 (16.0) | .156 (4.0) | .250 (6.4) | |
| 04* | .437 (11.1) | .760 (19.3) | .906 (23.0) | .755 (19.2) | .188 (4.8) | .312 (7.9) | |
| 06* | .500 (12.7) | .760 (19.3) | 1.093 (27.8) | .942 (23.9) | .281 (7.1) | .438 (11.1) | |
| 08 | .563 (14.3) | .760 (19.3) | 1.187 (30.1) | 1.067 (27.1) | .387 (9.8) | .562 (14.3) | |
| 10 | .563 (14.3) | .760 (19.3) | 1.281 (32.5) | 1.192 (30.3) | .375 (9.5) | .625 (15.9) | |
| 12 | .563 (14.3) | .760 (19.3) | 1.500 (38.1) | 1.380 (35.1) | .438 (11.1) | .750 (19.1) | |
| 16 | .656 (16.7) | 1.073 (27.3) | 1.719 (43.7) | 1.535 (39.0) | .625 (15.9) | .938 (23.8) | |
| 20 | .656 (16.7) | 1.323 (33.6) | 2.062 (52.4) | 1.848 (46.9) | .875 (22.2) | 1.250 (31.8) | |
| 24 | .656 (16.7) | 1.323 (33.6) | 2.312 (58.7) | 2.255 (57.3) | 1.000 (25.4) | 1.375 (34.9) | |
| 28 | 1.188 (30.2) | 1.572 (39.9) | 2.719 (69.1) | 2.505 (63.6) | 1.250 (31.8) | 1.625 (41.3) | |
| 32* | 1.187 (30.1) | 1.572 (39.9) | 2.969 (75.4) | 2.755 (70.0) | 1.437 (36.5) | 1.875 (47.6) | |
| 40* | 1.125 (28.6) | 1.572 (39.9) | 3.531 (89.7) | 3.255 (82.7) | 1.875 (47.6) | 2.375 (60.3) | |

* Not available in Style M clamp.