

**CONNECTOR
 DESIGNATORS
 A-F-H-L-S
 ROTATABLE
 COUPLING**



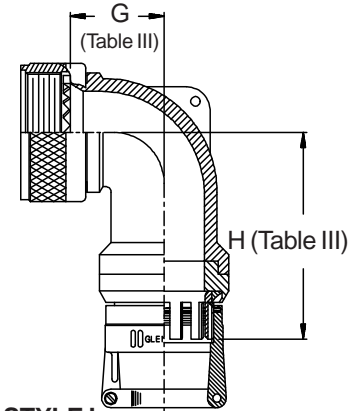
STYLE 2
 (STRAIGHT)
 See Note 1)



-445 Add "-445" to Specify Glenair's Non-Detent, ("NESTOR") Spring-Loaded, Self-Locking Coupling. See Page 41 for Details.



STYLE 2
 (45° & 90°)
 See Note 1)



STYLE F
 Light Duty
 (Table V)



STYLE G
 Light Duty
 (Table IV)



STYLE L
 Light Duty
 (Table V)



400-001
TAG® Ring Backshell
 with Strain Relief
 Rotatable Coupling - Low Profile



See inside back cover
 fold-out or pages 13 and
 14 for Tables I and II.

TABLE III: ELBOW DIMENSIONS

| Shell Size | | E | | F | | G | | H | |
|--------------|----|-------|--------|-------|--------|-------|--------|-------|--------|
| Conn. Desig. | H | Max | | Max | | Max | | Max | |
| A-F-L-S | | | | | | | | | |
| 08 | 09 | .457 | (11.6) | 1.660 | (42.2) | .500 | (12.7) | 1.670 | (42.4) |
| 10 | 11 | .520 | (13.2) | 1.720 | (43.7) | .595 | (15.1) | 1.790 | (45.5) |
| 12 | 13 | .582 | (14.8) | 1.780 | (45.2) | .610 | (15.5) | 1.810 | (46.0) |
| 14 | 15 | .645 | (16.4) | 1.870 | (47.5) | .700 | (17.8) | 1.880 | (47.8) |
| 16 | 17 | .738 | (18.7) | 1.980 | (50.3) | .885 | (22.5) | 1.970 | (50.0) |
| 18 | 19 | .926 | (23.5) | 2.170 | (55.1) | .975 | (24.8) | 2.140 | (54.4) |
| 20 | 21 | .926 | (23.5) | 2.170 | (55.1) | .975 | (24.8) | 2.140 | (54.4) |
| 22 | 23 | 1.020 | (25.9) | 2.320 | (58.9) | 1.125 | (28.6) | 2.250 | (57.2) |
| 24 | 25 | 1.020 | (25.9) | 2.320 | (58.9) | 1.125 | (28.6) | 2.250 | (57.2) |
| 28 | | 1.145 | (29.1) | 2.370 | (60.2) | 1.225 | (31.1) | 2.420 | (61.5) |
| 32 | | 1.207 | (30.7) | 2.470 | (62.7) | 1.575 | (40.0) | 2.670 | (67.8) |
| 36 | | 1.238 | (31.4) | 2.560 | (65.0) | 1.775 | (45.1) | 2.670 | (67.8) |

TABLE IV: CABLE ENTRY

| Dash No. | K Max | Cable Entry Max |
|----------|--------------|-----------------|
| 02 | .545 (13.8) | .250 (6.4) |
| 03 | .670 (17.0) | .375 (9.5) |
| 04 | .795 (20.2) | .500 (12.7) |
| 05 | .920 (23.4) | .625 (15.9) |
| 06 | 1.045 (26.5) | .750 (19.1) |
| 07 | 1.170 (29.7) | .875 (22.2) |
| 08 | 1.295 (32.9) | 1.000 (25.4) |
| 09 | 1.420 (36.1) | 1.125 (28.6) |
| 10 | 1.670 (42.4) | 1.250 (31.8) |

TABLE V: CABLE ENTRY

| Dash No. | L Max | Cable Range | |
|----------|--------------|-------------|--------------|
| | | Min | Max |
| 02 | .968 (24.6) | .125 (3.2) | .250 (6.4) |
| 03 | 1.046 (26.6) | .250 (6.4) | .375 (9.5) |
| 04 | 1.156 (29.4) | .250 (6.4) | .500 (12.7) |
| 05 | 1.218 (30.9) | .375 (9.5) | .625 (15.9) |
| 06 | 1.343 (34.1) | .500 (12.7) | .750 (19.1) |
| 07 | 1.468 (37.3) | .625 (15.9) | .875 (22.2) |
| 08 | 1.593 (40.5) | .625 (15.9) | 1.000 (25.4) |
| 09 | 1.718 (43.6) | .750 (19.1) | 1.125 (28.6) |
| 10 | 1.843 (46.8) | .875 (22.2) | 1.250 (31.8) |

1. When maximum cable entry (page 21) is exceeded, Style 2 will be supplied. Dimensions E, F, G and H will not apply. Please consult factory.
2. Metric dimensions (mm) are indicated in parentheses.
3. Cable range is defined as the accommodations range for the wire bundle or cable. Dimensions shown are not intended for inspection criteria.
4. Consult factory for shorter lengths on straight backshells.