



# 440-143

## Composite Ultra Low Profile EMI/RFI Micro-Banding Backshell with Qwik-Ty, Shrink Boot Porch and Self-Locking Rotatable Coupling

**A**

| CONNECTOR DESIGNATOR:     |                                 |
|---------------------------|---------------------------------|
| <b>F</b>                  | MIL-DTL-38999 Series I, II      |
| <b>H</b>                  | MIL-DTL-38999 Series III and IV |
| <b>SELF-LOCKING</b>       |                                 |
| <b>ROTATABLE COUPLING</b> |                                 |
| <b>ULTRA LOW PROFILE</b>  |                                 |

| Angle and Profile                 |                                   |
|-----------------------------------|-----------------------------------|
| <i>S</i> - Straight               | <i>A</i> - 90° Low Profile, Std   |
| <i>T</i> - 45° Elbow              | <i>E</i> - 90° Low Profile, Split |
| <i>W</i> - 90° Low Profile, Solid |                                   |

| Cable Entry  |
|--|
| (See Table II)<br>Omit for <i>E</i> and <i>W</i> Option Only |

| Drain Hole Option          |
|----------------------------|
| (Omit "D" if not required) |

| Shrink Boot Option  |
|---|
| Shrink boot supplied with <i>T</i> option<br>O-Ring will not be supplied with Connector Designator A<br>(Omit for none) |

| Product Series   |
|--|
| 440 - EMI/RFI Non-Environmental Micro-Banding Backshells |

| Basic Part Number |
|-------------------|
|-------------------|

| Finish Symbol   |
|-----------------|
| (See Table III) |

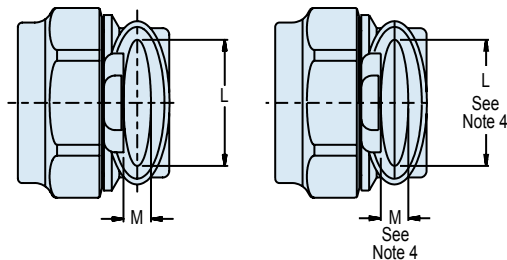
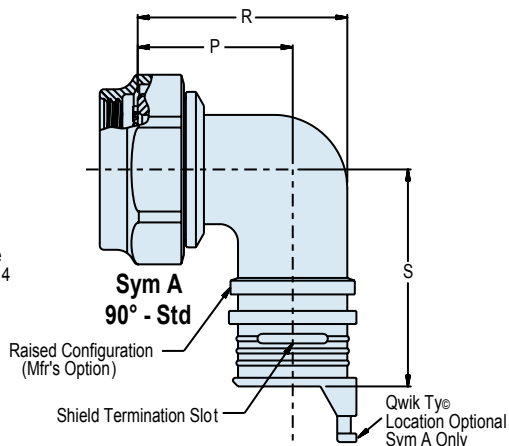
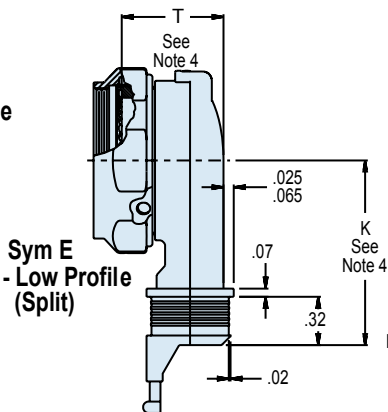
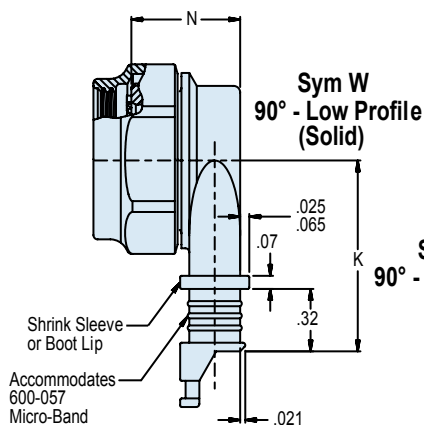
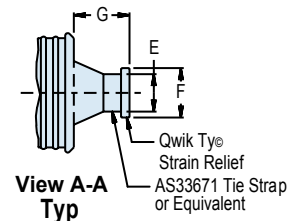
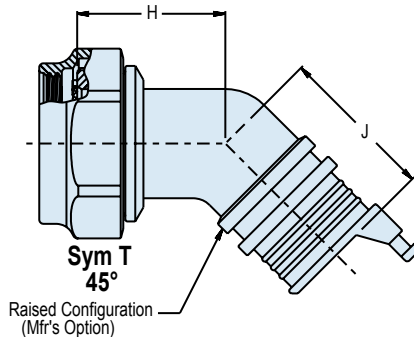
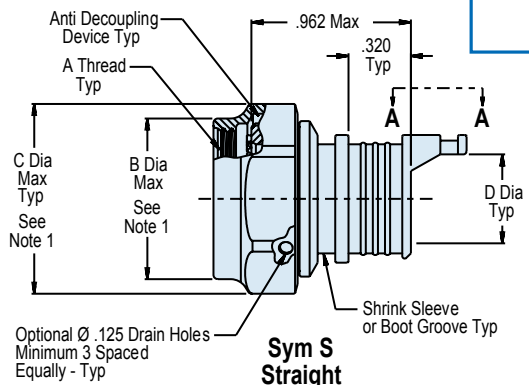
**440 H S 143 XM 15 09 D B T S**

| Connector Designator                            |
|---|
| <i>A, F or H</i><br>(See Table I)<br>See Note 1 |

| Connector Shell Size        |
|-----------------------------|
| (See Table I)<br>See Note 1 |

| Band Option   |
|---|
| Band supplied with <i>B</i> option<br>(Omit for none) |

| Shield Termination Slot |
|-------------------------|
| (Omit for none)         |



**440-143**  
**Composite Ultra Low Profile EMI/RFI**  
**Micro-Banding Backshell with Qwik-Ty, Shrink Boot Porch**  
**and Self-Locking Rotatable Coupling**



**TABLE I: SHELL SIZE**

| Shell Size |    | Entry Code Available for Straight, 45° and 90° Std Configuration | K ± .03      | L            | M           | N Max        | P ± .09      | R ± .09      | S Max        | T Max        |
|------------|----|--|--------------|--------------|-------------|--------------|--------------|--------------|--------------|--------------|
| A & F      | H  |  |              |              |             |              |              |              |              |              |
| 08         | 09 | 04   | 1.042 (26.5) | .304 (7.7)   | .160 (4.1)  | .630 (16.0)  | .690 (17.5)  | .880 (22.4)  | 1.360 (34.5) | .810 (20.6)  |
| 10         | 11 | 05   | 1.107 (28.1) | .432 (11.0)  | .174 (4.4)  | .660 (16.8)  | .750 (19.1)  | 1.000 (24.5) | 1.420 (36.1) | .810 (20.6)  |
| 12         | 13 | 07   | 1.174 (29.8) | .546 (13.9)  | .195 (5.0)  | .720 (18.3)  | .810 (20.6)  | 1.130 (28.7) | 1.480 (37.6) | .820 (20.8)  |
| 14         | 15 | 09   | 1.241 (31.5) | .670 (17.0)  | .315 (8.0)  | .830 (21.1)  | .880 (22.4)  | 1.310 (33.3) | 1.550 (39.4) | .880 (22.4)  |
| 16         | 17 | 05 and 11  | 1.305 (33.1) | .796 (20.2)  | .385 (9.8)  | .910 (23.1)  | .940 (23.9)  | 1.380 (35.1) | 1.610 (40.9) | .930 (23.6)  |
| 18         | 19 | 07 and 13  | 1.371 (34.8) | .902 (22.9)  | .445 (11.3) | .930 (23.6)  | .970 (24.6)  | 1.440 (36.6) | 1.640 (41.7) | .990 (25.1)  |
| 20         | 21 | 09 and 15  | 1.438 (36.5) | 1.027 (26.1) | .525 (13.3) | 1.040 (26.4) | 1.060 (26.9) | 1.630 (41.4) | 1.730 (43.9) | 1.060 (26.9) |
| 22         | 23 | 11 and 16  | 1.505 (38.2) | 1.152 (29.3) | .595 (15.1) | 1.120 (28.4) | 1.130 (28.7) | 1.750 (44.5) | 1.800 (45.7) | 1.130 (28.7) |
| 24         | 25 | 07, 13 and 17  | 1.572 (39.9) | 1.276 (32.4) | .655 (16.6) | 1.180 (30.0) | 1.190 (30.2) | 1.880 (47.8) | 1.860 (47.2) | 1.050 (26.7) |
| 24*        | 25 |  | 1.850 (47.0) | 1.460 (37.1) | .450 (11.4) | 1.020 (26.0) |              |              |              | 1.050 (26.7) |

\*See Note 4

**TABLE II: CABLE ENTRY**

| Entry Code | D ± .030     | E Ref      | F Ref       | G Ref       | H ± .060    | J ± .090    |
|------------|--------------|------------|-------------|-------------|-------------|-------------|
| 04         | .250 (6.4)   | .187 (4.7) | .312 (7.9)  | .512 (13.0) | .720 (18.3) | .870 (22.1) |
| 05         | .310 (7.9)   | .187 (4.7) | .312 (7.9)  | .512 (13.0) | .750 (19.1) | .930 (23.6) |
| 07         | .440 (11.2)  | .187 (4.7) | .312 (7.9)  | .512 (13.0) | .750 (19.1) | 1.00 (25.4) |
| 09         | .560 (14.2)  | .219 (5.6) | .375 (9.5)  | .630 (16.0) | .760 (19.3) | 1.03 (26.2) |
| 11         | .680 (17.3)  | .219 (5.6) | .375 (9.5)  | .630 (16.0) | .780 (19.8) | 1.05 (26.7) |
| 13         | .810 (20.6)  | .219 (5.6) | .375 (9.5)  | .630 (16.0) | .790 (20.1) | 1.06 (26.9) |
| 15         | .940 (23.9)  | .219 (5.6) | .375 (9.5)  | .630 (16.0) | .820 (20.8) | 1.09 (27.7) |
| 16         | 1.000 (25.4) | .219 (5.6) | .375 (9.5)  | .630 (16.0) | .860 (21.8) | 1.13 (28.7) |
| 17         | 1.160 (29.5) | .250 (6.4) | .437 (11.1) | .630 (16.0) | .890 (22.6) | 1.16 (29.5) |

**TABLE III: FINISH**

| Symbol     | Finish Description  |
|------------|---|
| <b>XM</b>  | 2000 Hour Corrosion Resistant Electroless Nickel  |
| <b>XMT</b> | 2000 Hour Corrosion Resistant Ni-PTFE, Nickel-Fluorocarbon Polymer.<br><i>1000 Hour Grey™</i> |
| <b>XW</b>  | 2000 Hour Corrosion Resistant Cadmium/Olive Drab over Electroless Nickel                      |

**NOTES**

1. 770-001S\*\*-0 shrink boot supplied with T option. See shrink boot product page for more details.
2. Coupling nut supplied unplated.
3. See Table I in Intro for front-end dimensional details.
4. For Sym "E" low profile split shell sizes 24 and 25 dimensions, use indicator row in Table I.