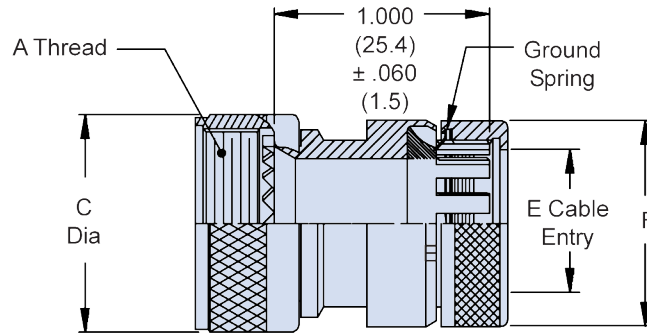




# AS85049/30 and M38999/4 Straight TAG® Ring Backshell

**CONNECTOR DESIGNATOR:**
**F** MIL-DTL-38999 Series I and II

**Basic  
Part Number**
**Shell Size  
(Table II)**
**M85049/30 - 10 W**
**Superseded  
Part Number**
**M38999/4 12 B**
**Basic  
Part No.**
**Shell  
Size**
**Finish  
(Material is Aluminum Only)**
**B** = Cadmium Olive Drab over Nickel  
**F** = Electroless Nickel

**Finish**
**N** = Electroless Nickel  
**W** = 1,000 Hr. Cadmium Olive Drab over Electroless Nickel  
**X** = Aluminum, Nickel Fluorocarbon Polymer  
**Z** = Aluminum, Zinc-Nickel, Black

**TABLE I: Clamp Size, Cable Range and Dimensions**

Shell Size	Shell Size Series I Ref	A Thread Class 2B	C Dia Max	E Cable Entry Max	F Dia Max
08	9	.438 - 28 UNEF	.75 (19.1)	.250 (6.4)	.545 (13.8)
10	11	.562 - 24 UNEF	.85 (21.6)	.375 (9.5)	.670 (17.0)
12	13	.688 - 24 UNEF	1.00 (25.4)	.500 (12.7)	.795 (20.2)
14	15	.813 - 20 UNEF	1.10 (27.9)	.625 (15.9)	.920 (23.4)
16	17	.938 - 20 UNEF	1.25 (31.8)	.750 (19.1)	1.045 (26.5)
18	19	1.063 - 18 UNEF	1.40 (35.6)	.844 (21.4)	1.170 (29.7)
20	21	1.188 - 18 UNEF	1.50 (38.1)	.970 (24.6)	1.295 (32.9)
22	23	1.313 - 18 UNEF	1.65 (41.9)	1.094 (27.8)	1.420 (36.1)
24	25	1.438 - 18 UNEF	1.75 (44.5)	1.219 (31.0)	1.670 (42.4)

**APPLICATION NOTES**

- For complete dimensions see the applicable Military Specification.
- Metric dimensions (mm) are in parentheses.
- Cable Entry is defined as the accommodation range for the wire bundle or cable. Dimensions shown are not intended for inspection criteria.

Dimensions in inches (millimeters) and are subject to change without notice.