

450-001 and 450-002

Qwik-Ty® Strain Relief - Connector Designator E

Direct Coupling (Straight)

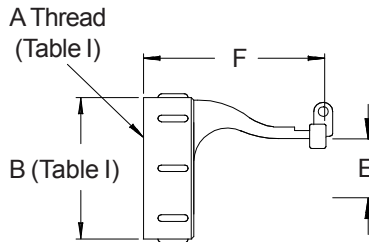
Rotatable Coupling (Straight, 45° and 90° Elbows)

CONNECTOR DESIGNATOR E

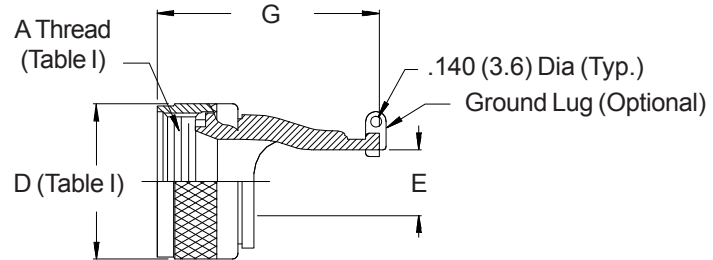
450 E S 001 M 16 G

Product Series ———— 450
 Connector Designator ———— E
 Angle and Profile ———— S
 A = 90°, B = 45°
 S = Straight

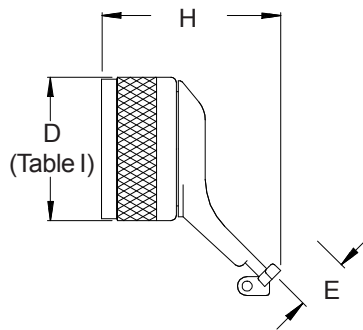
Ground Lug (Omit for none)
 Shell Size (Table I)
 Finish (Table II)
 Basic Part Number
 001, 002



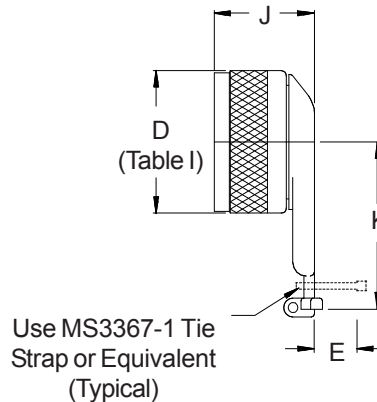
450ES001
STRAIGHT DIRECT COUPLING



450ES002
STRAIGHT ROTATABLE COUPLING



450EB001
45° ROTATABLE COUPLING



450EA001
90° ROTATABLE COUPLING

See inside back cover fold-out or pages 13 and 14 for Tables I and II.

TABLE III: DIMENSIONS

| Shell Size | E Cable Entry | F Max | G Max | H Max | J Max | K Max |
|------------|------------------|--------------|--------------|--------------|--------------|--------------|
| 08 | .355 (9.0) | 1.060 (26.9) | 1.350 (34.3) | 1.320 (33.5) | .880 (22.4) | .940 (23.9) |
| 10 | .465 (11.8) | 1.060 (26.9) | 1.410 (35.8) | 1.440 (36.6) | .880 (22.4) | 1.000 (25.4) |
| 12 | .625 (15.9) | 1.060 (26.9) | 1.600 (40.6) | 1.580 (40.1) | .880 (22.4) | 1.320 (33.5) |
| 14 | .695 (17.7) | 1.310 (33.3) | 1.600 (40.6) | 1.600 (40.6) | .970 (24.6) | 1.410 (35.8) |
| 16 | .810 (20.6) | 1.310 (33.3) | 1.650 (41.9) | 1.600 (40.6) | 1.020 (25.9) | 1.460 (37.1) |
| 18 | .942 (23.9) | 1.310 (33.3) | 1.780 (45.2) | 1.630 (41.4) | 1.020 (25.9) | 1.510 (38.4) |
| 20 | .968 (24.6) | 1.310 (33.3) | 1.900 (48.3) | 1.630 (41.4) | .970 (24.6) | 1.560 (39.6) |
| 22 | 1.079 (27.4) | 1.310 (33.3) | 2.030 (51.6) | 1.630 (41.4) | .970 (24.6) | 1.560 (39.6) |
| 24 | 1.300 (33.1) | 1.310 (33.3) | 2.060 (52.3) | 1.630 (41.4) | .920 (23.4) | 1.630 (41.4) |

- Cable Entry is defined as the accommodation entry for the wire bundle or cable. Dimensions are not intended for inspection criteria.
- Metric dimensions (mm) are indicated in parentheses.