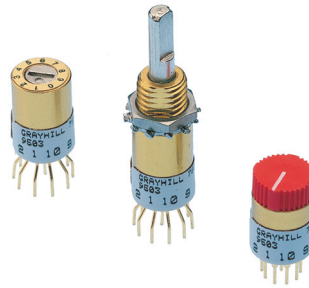


SERIES 75

0.3" Diameter, 200 mA

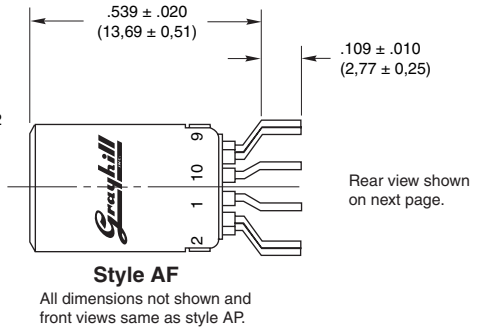
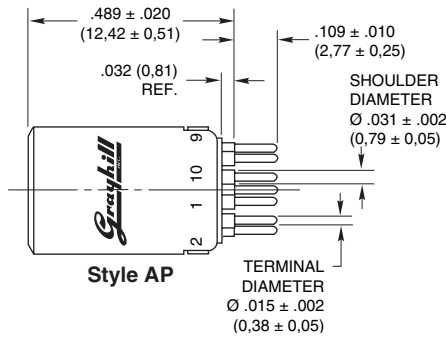
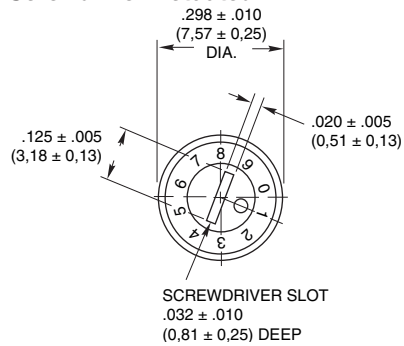
FEATURES

- Small Size
- Flush, Shafted, or Knobbed Shaft

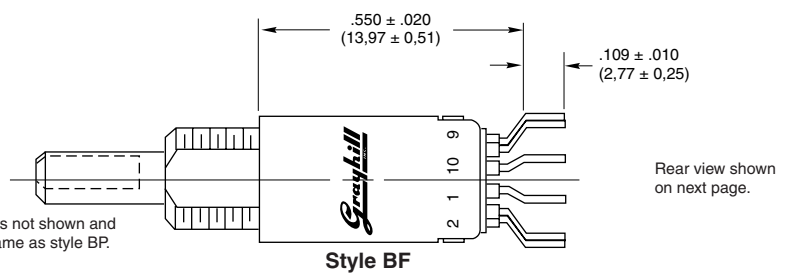
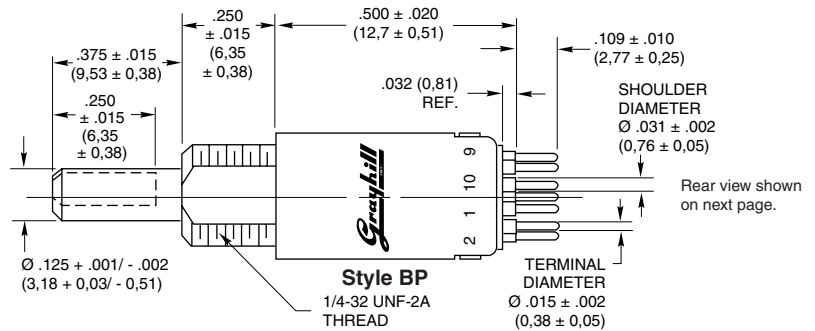
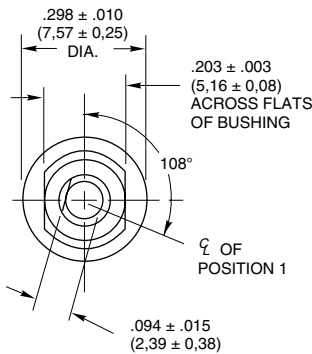


DIMENSIONS in inches (and millimeters)

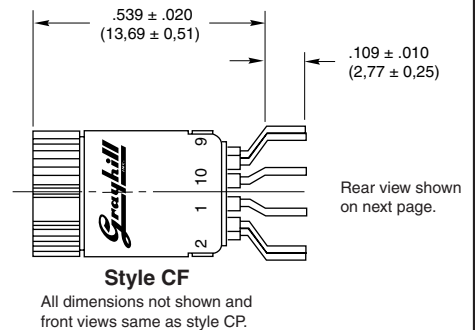
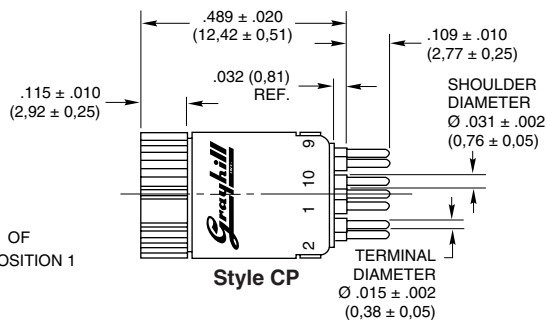
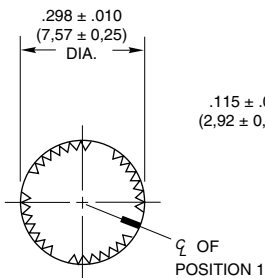
Screwdriver Actuated



Shaft Actuated

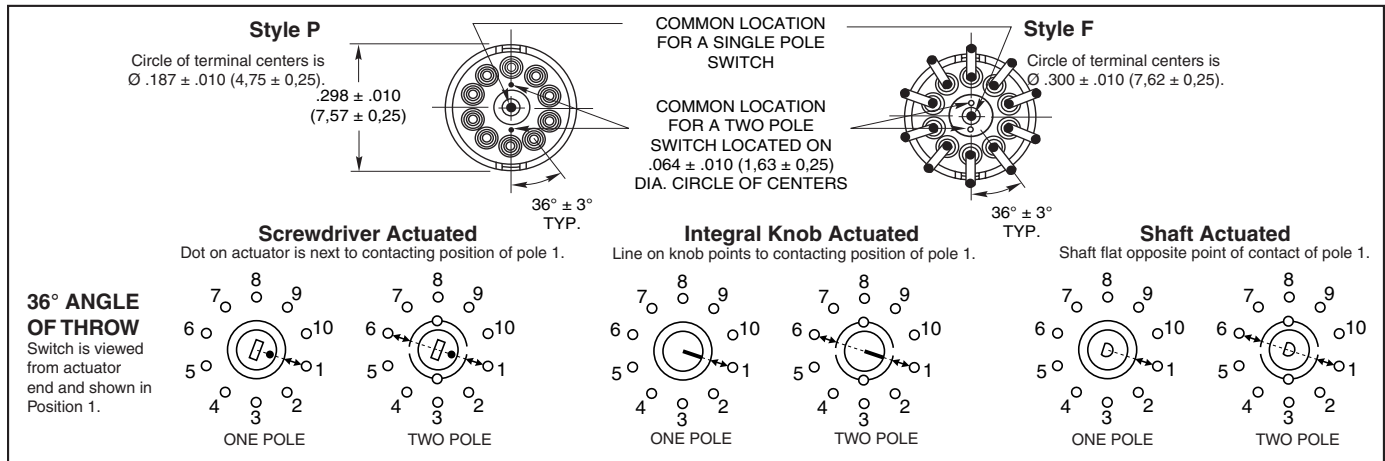


Integral Knob Actuated



Grayhill part number and date code marked on label.
Customer part number marked on request.

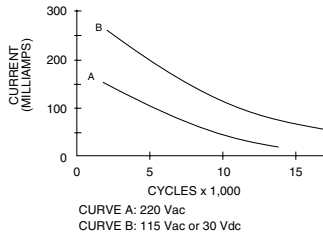
CIRCUIT DIAGRAMS AND REAR VIEWS



SPECIFICATIONS

Electrical Ratings

Chart shown for non-shorting (break before make) contacts, resistive load.



One cycle is 360° rotation and a return through all switch positions to the starting position. The data for the curve was measured at sea level, 25°C and 68% relative humidity with the following limiting criteria:

Contact Resistance: 50 milliohms maximum (15 milliohms initially).
Insulation Resistance: 10,000 Mohms

minimum between mutually insulated parts.
Voltage Breakdown: 500 Vac between mutually insulated parts.

Life Expectancy: 10,000 cycles at 200 milliamps. One cycle is 360° rotation and a return through all switch positions to the starting position.

Low Level Rating: Make and break a 50 mV, 1 milliamp, resistive load for 10,000 cycles with a maximum contact resistance of 50 milliohms.

Contact Grayhill for information if the life limiting criteria is more critical than those listed, if the required cycles of operation are greater than those listed, if a larger make and break current is required than the one listed for the desired number of cycles, or if elevated temperatures or reduced pressures are part of the operating environment.

Materials and Finishes

Switch Base: Diallyl per MIL-M-14
Detent Cover and Detent Rotor in Styles AP, AF, BP, and BF: Phenolic per MIL-M-14

Bushing: Brass, tin zinc plating
Stop Pin: Stainless steel, passivated
Detent Balls: Steel, nickel-plated
Detent and Contact Springs: Tinned music wire
Rotor Contact: Silver cad-oxide, gold-plated
Terminals and Common: Brass, gold plate .00002" minimum thickness over silver plate .0003" minimum.

Shaft in Style BF or BP: Zinc
Integral Knob and Detent Rotor in Style CF or CP: Red Thermoplastic
Mounting Hardware for Style BF or BP: One mounting nut .062" thick by .312" across flats and one external tooth lockwasher supplied with each switch. Mounting nut is brass, zinc plated and lockwasher is spring steel.

Additional Characteristics

Contact Type: Non-shorting, wiping contacts
Terminals: Switches are provided with the full circle of terminals regardless of the number of active positions.
Stop Strength: 8 ounce-inches minimum

CHOICES AND LIMITATIONS

Style and Designation		Angle Of Throw	Stops	Terminal	Poles Per Deck	Number of Decks		Number of Positions/Pole
$\varnothing 0.187 (4,75)$ Circle of Term.	$\varnothing 0.300 (7,62)$ Circle of Term.					Shorting	Non-Shorting	
AP = Screwdriver Actuated	AF = Screwdriver Actuated	36°	Fixed	Printed	1 2	Not Available	1 1	2 thru 10 2 thru 5
BP = Shaft Operated	BF = Shaft Operated							
CP = Integral Knob	CF = Integral Knob							

ORDERING INFORMATION

Series
Style: Letters from Choices and Limitations Chart
Angle of Throw: 36° only

75AP36-01-1-10N-C

Stop Arrangement: The suffix C or F must be added to a one pole per deck switch to indicate continuous rotation (C) or fixed stop (F) between position 1 and position 10.
Type of Contacts: N=Non-shorting only
Positions per Pole: requires 02 positions as a minimum to maximum allowable dependent on the poles per deck
Poles per Deck: 1 or 2 poles available
Number of Decks: 1 deck only

Available from your local Grayhill Distributor.
For prices and discounts, contact a local Sales Office, an authorized local Distributor, or Grayhill.

Rotary Switches