

PART NO. : HFJT1-RP48-L12RL



FASTJACK™ WITH 10/100BASE-TX MAGNETICS
 COMPLIANT TO IEEE802.3u STANDARDS

DESIGNED FOR PoE, IEEE802.3af APPLICATIONS
 WITH AUTO-MDIX PHYS

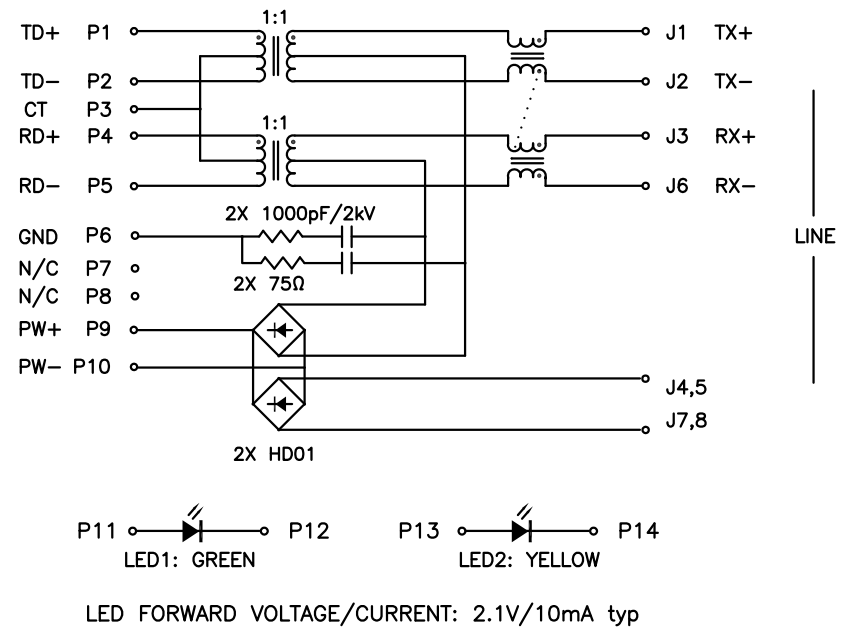
POWER ON USED OR UNUSED PAIRS FOR UP TO 350mADC
 RoHS COMPLIANT

COMPATIBLE TO LEAD-FREE WAVE SOLDERING PROCESS
 FOR THROUGH HOLE COMPONENTS

OPERATING TEMPERATURE 0/70°C

ELECTRICAL SPECIFICATIONS @ 25°C

TURNS RATIO P1-P2:J1-J2,P4-P5:J3-J6	1CT:1 ±3%
OCL (100KHz,0.1Vrms,8mADC) P1-P2,P4-P5	350µH min
INSERTION LOSS 0.1-100MHz	-1.1dB max
RETURN LOSS 0.5-30MHz 40MHz 50MHz 60-80MHz	-18dB min -15.5dB min -13.6dB min -12dB min
CROSSTALK 0.1-100MHz	-40dB typ
CMR 0.1-30MHz 30-60MHz 60-100MHz	-50dB typ -40dB typ -35dB typ
ISOLATION	1,500Vrms



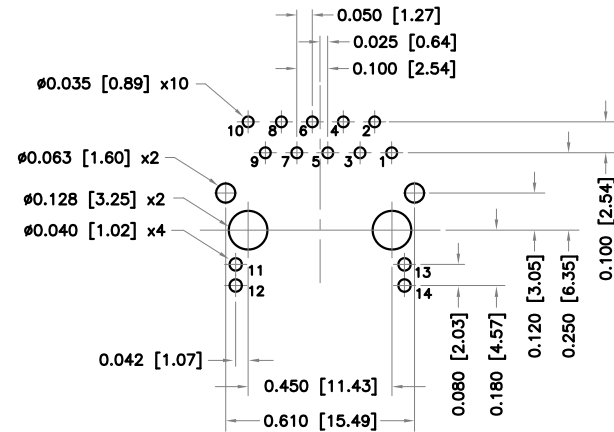
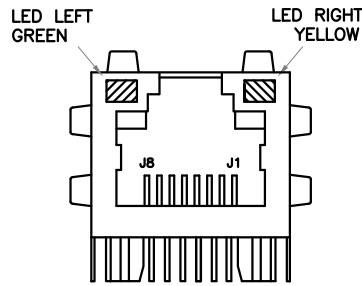
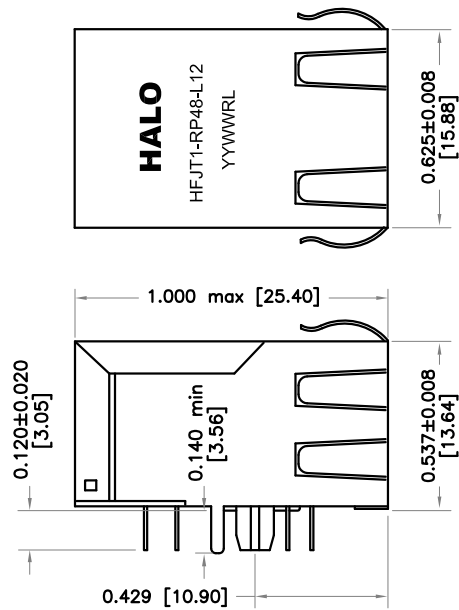
LINE



HALO/PBL

CALIFORNIA, USA
 KOWLOON, HONG KONG
 SINGAPORE

TITLE	SIGNATURES	DATE	REV.	DESC.	DATE
FastJack™ TAB-UP	DRAWN LI ZHI ZHONG	1/31/06	A	FIRST ISSUE	1/31/06
FOR FAST ETHERNET IEEE802.3af	CHECKED LEI KEONG	6/15/10	B	PROD. RELEASE	2/1/10
PART NO. HFJT1-RP48-L12RL	APPROVED PETER LU	6/15/10	C	ADD GND PIN LENGTH	6/15/10
SCALE NONE	FILE HFJT1-RP48-L12RL.DWG				
PAGE 1 OF 2					



RECOMMENDED P.C. BOARD PATTERN (COMP. SIDE)

Housing Material: Polyester, Black UL94V-0
 Contacts: Phosphor Bronze 30µin Au plating over Ni
 Leads: Matte Sn over Ni
 Shield: Cu Alloy with Ni plating 40µin min
 Durability: 1000 mating cycles
 Dimensions: Inch [mm]
 Tolerances: ±0.008 inch if not specified

HALO/PBL

CALIFORNIA, USA
 KOWLOON, HONG KONG
 SINGAPORE

TITLE	FastJack™ TAB-UP	SIGNATURES	DATE	REV.	DESC.	DATE
FOR	FAST ETHERNET IEEE802.3af	DRAWN	LI ZHI ZHONG	1/31/06	A	FIRST ISSUE
PART NO.	HFJT1-RP48-L12RL	CHECKED	LEI KEONG	6/15/10	B	PROD. RELEASE
SCALE	NONE	APPROVED	PETER LU	6/15/10	C	ADD GND PIN LENGTH
PAGE	2 OF 2	FILE	HFJT1-RP48-L12RL.DWG			