

PCMCIA DC/DC Converter

Low Profile SMD Isolation Modules



Product Features:

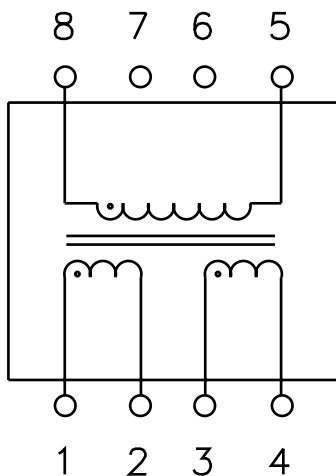
- The TGM-P3 series of 8 pin transformers provide the isolation and voltage outputs required for small, low cost DC/DC converter circuits.
- Designed specifically for use with the Maxim™ MAX845 monolithic oscillator/power drivers with 3.3V or 5V power source.
- DIL and SMD packages are also available with isolation voltages up to 4.5KVrms.
- Operating Temp: -40 to +85°C

Part Number	Circuit	Turns Ratio ($\pm 3\%$) PRI : SEC	Cw/w (pF Max.)	PRI LL ($\mu\text{H Typ.}$)	Isolation Vrms
TGM-010P3RL	A	1:1:1	12	0.40	500
TGM-020P3RL	A	1:1:0.75	12	0.40	500
TGM-030P3RL	A	1:1:1.5	12	0.40	500
TGM-040P3RL	B	1:1:1.3:1.3	12	0.40	500
TGM-050P3RL	B	1:1:1:1	12	0.40	500

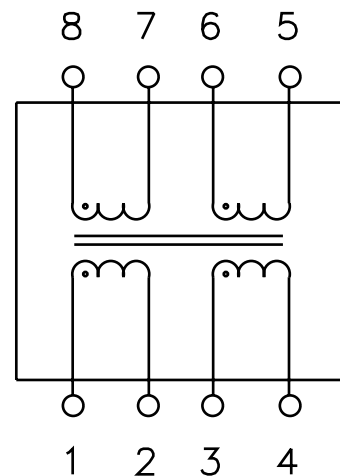
Notes:

1. PRI Pins: 1-2 & 3-4
2. PRI DCR: 0.6Ω Max.
3. PRI OCL: $240\mu\text{H Typ.}$
4. ET Constant: $5.5 \text{ V}\cdot\mu\text{s Min.}$
5. For more information, pertaining to the MAX845 please contact Maxim at (408) 737-7600. Maxim is a registered trademark of Maxim Integrated Products.

Schematic A



Schematic B



PCMCIA DC/DC Converter Isolation Modules

Package P3



Dimensions: inches [mm]
Co-Planarity: 0.004 [0.10]

US Patent Numbers for SMD Devices
5,656,985 6,297,721 B1
6,297,720 B1 6,320,489 B1
6,344,785 B1 6,662,431 B1



2880 Lakeside Drive #116
Santa Clara, CA 95054
(650) 903-3800
www.haloelectronics.com

HALO® Electronics is a leading supplier of high quality communication magnetics including signal transformers, filters, CMR chokes, PoE power transformers, DC/DC converters, and integrated Ethernet connectors. HALO's leading edge technology solutions are manufactured in ISO9001 and ISO14001 factories offering high quality products at a competitive price.

Maxim™ MAX845 DC/DC Converter Application Note

The TGM series of transformers have been designed specifically for use with the Maxim™ MAX845 monolithic oscillator/power driver with 3.3V or 5V power source. Multiple output voltages can be achieved depending on the diode circuit and transformer selected. For more information, pertaining to the MAX845 please contact Maxim at (408) 737-7600. Maxim is a registered trademark of Maxim Integrated Products.

Bridge Rectifier Circuit



Output Voltages



Doubler Circuit



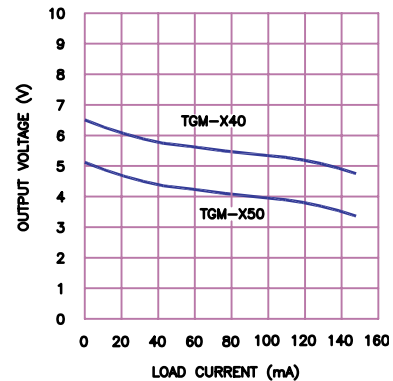
Output Voltages



Full Wave Rectifier Circuit



Output Voltages



HALO
ELECTRONICS, INC.

2880 Lakeside Drive #116
Santa Clara, CA 95054
(650) 903-3800
www.haloelectronics.com

HALO® Electronics is a leading supplier of high quality communication magnetics including signal transformers, filters, CMR chokes, PoE power transformers, DC/DC converters, and integrated Ethernet connectors. HALO's leading edge technology solutions are manufactured in ISO9001 and ISO14001 factories offering high quality products at a competitive price.

© Copyright 2014 HALO Electronics, Inc. All rights reserved.

Revised 6/2014 Download the latest version at www.haloelectronics.com/pdf/discrete-max845dc2dc-pcmcia.pdf