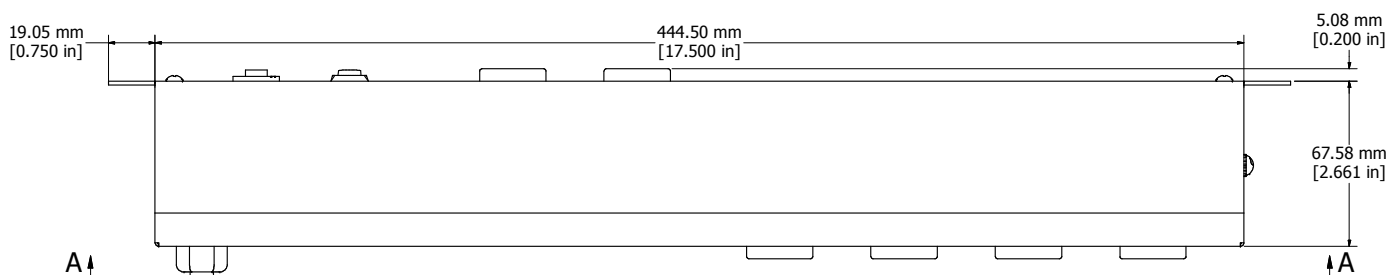
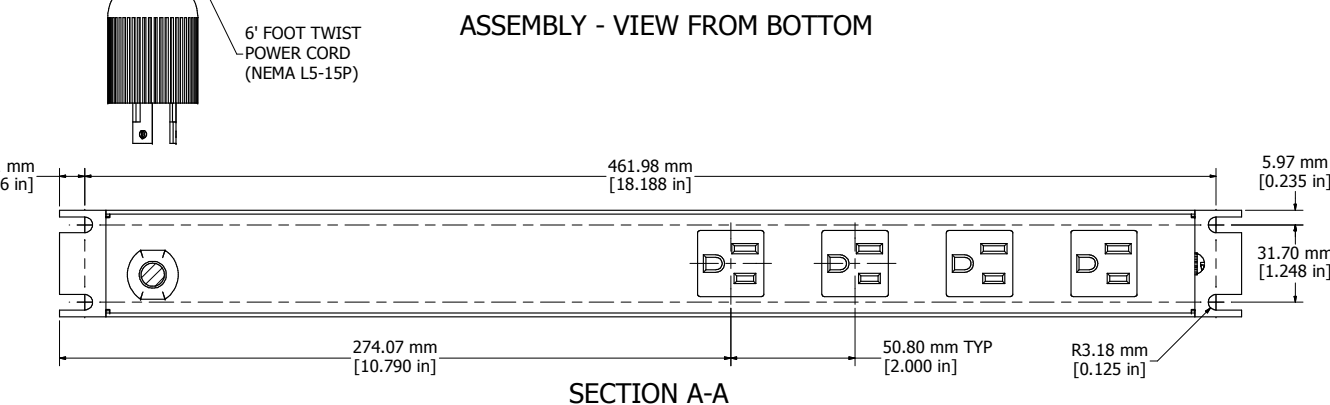


ISOMETRIC VIEW



ASSEMBLY - VIEW FROM SIDE

1583H6C1BKX
Finish - Front - Black Painted Steel
Back - Black Painted Steel
Rated - 125 VAC, 60 Hz, 15 Amps
Approvals - CSA Certified Standards C22.2 (No. 21-95, 42-99)
- UL Recognized Standard UL1363
Cord Length
1583H6C1BKX - 6' Foot Twist Power Cord (NEMA L5-15P)
1583H6D1BKX - 15' Foot Twist Power Cord (NEMA L5-15P)



**HAMMOND
MANUFACTURING™**

1583H6C1BKX

www.hammondmfg.com