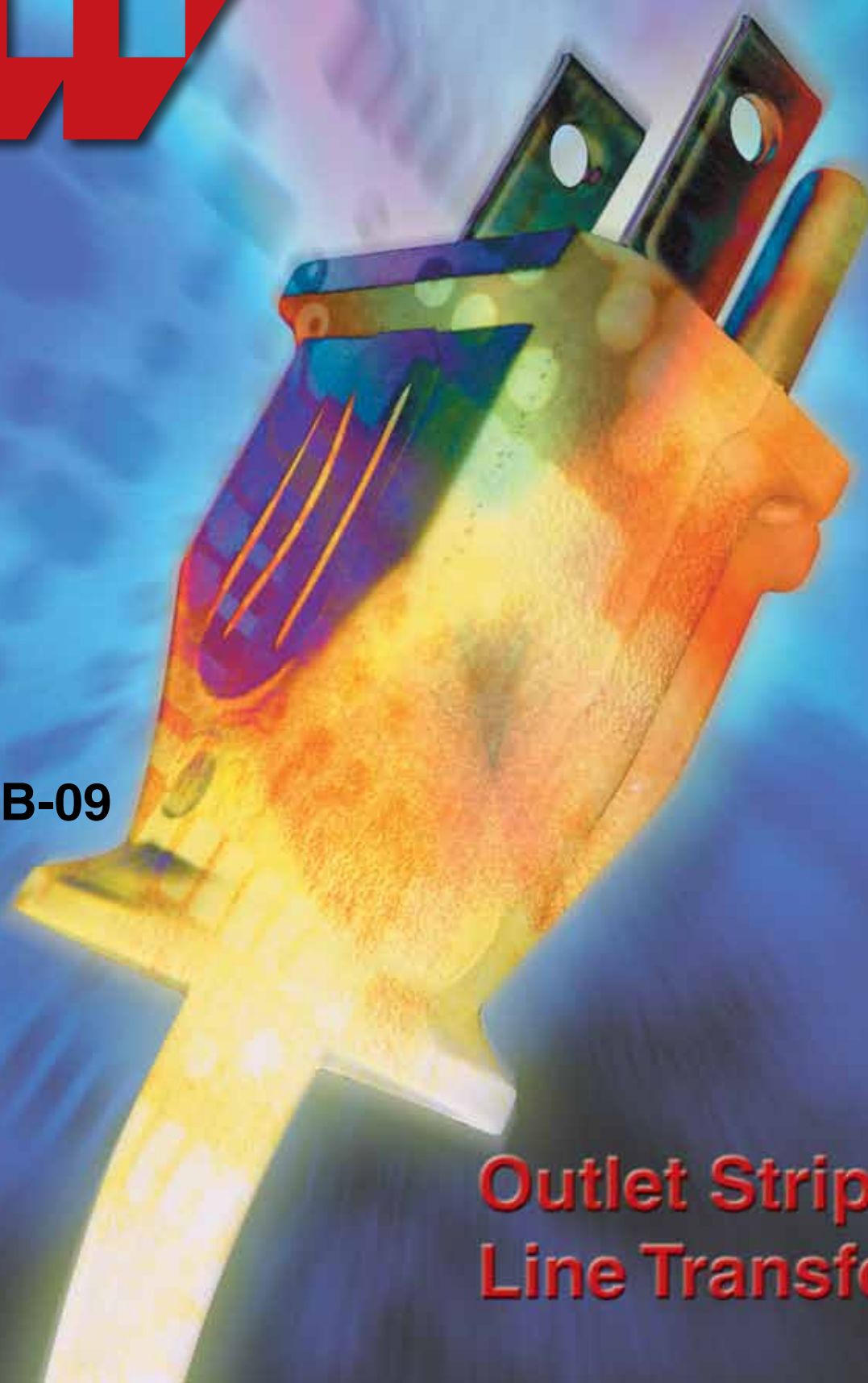




**HAMMOND
MANUFACTURING™**

PB-09



**Outlet Strips &
Line Transformers**

Outlet Strips

| | |
|---|----|
| 15 Amp - Industrial/Commercial Grade | 4 |
| 15 Amp (90° Offset) - Industrial/Commercial Grade | 5 |
| 15 Amp - With "Green Dot" Plug & Receptacles | 6 |
| 20 Amp - Industrial/Commercial Grade | 7 |
| International (IEC) - Industrial/Commercial Grade | 8 |
| 15 Amp - Power Blocks | 9 |
| Basic Plastic Outlet Strip | 10 |

Rack Mount Outlet Strips

| | |
|--|----|
| 15 Amp - Rack Panel Mount (Front Mounted Receptacles) | 12 |
| 15 Amp - Rack Panel Mount (Rear Mounted Receptacles) | 13 |
| 15 Amp - Rack Panel Mount | 14 |
| 15 Amp (90° Offset) - Rack Panel Mount | 15 |
| International (IEC) - Rack Panel Mount | 15 |
| 20 Amp - Rack Panel Mount | 16 |
| 15 & 20 Amp - Industrial/Commercial Grade (with Ammeter) | 17 |
| 15 Amp - Vertical Rack Mount Strips | 18 |
| 15 Amp - Vertical Rack Mount Strips | 19 |
| 20 Amp - Vertical Rack Mount Strips | 20 |

Outlet Strips with Surge Protection

| | |
|---|----|
| ZAP Traps | 22 |
| Plastic - Surge Check | 23 |
| Plastic - Surge Check Plus | 24 |
| 15 Amp Industrial Grade with Surge Protection | 25 |
| 15 Amp - Rack Panel Mount (1582 with Surge Protection) | 26 |
| 15 Amp - Rack Panel Mount (1583 with Surge Protection) | 27 |
| 15 Amp With Surge Protection - Vertical Rack Mount Strips | 28 |

Line Transformers

| | |
|--|----|
| Line Transformers - Selection Guide | 30 |
| Straight Isolation - Hard Wired | 31 |
| Straight Isolation - Plug In | 32 |
| Toroidal Straight Isolation - Plug In | 33 |
| Straight Isolation - Constand Voltage | 34 |
| Toroidal Isolation - Step Up - Plug In | 35 |
| Isolation - Step Down - Plug In | 36 |
| Isolation - Step Down - Plug In | 37 |
| "Auto" - Hard Wired | 38 |
| "Auto" - Hard Wired | 39 |
| "Auto" Step Down - Plug In | 40 |
| "Auto" Step Up - Plug In | 41 |
| Line Transformers - Accessories | 42 |

Accessories

| | |
|--|----|
| Single Receptacle | 44 |
| Circuit Breaker | 44 |
| Lighted Rocker Switch | 45 |
| Rocker Switch | 45 |
| Indicator Light with Leads | 45 |
| Power Cord (SJT or SJTW) & Plug (NEMA 5-15P) | 45 |
| Power Cord (SJT or SJTW) & 90 Degree Plug (NEMA 5-15P) | 46 |
| Power Cord (SJT or SJTW) & Plug (NEMA 5-20P) | 46 |
| Power Cord (SJT or SJTW) & Plug (NEMA L5-15P) | 46 |
| Power Cord (SJT or SJTW) & Plug (NEMA L5-20P) | 46 |
| Mounting Clips | 47 |
| Vertical Mounting Clips | 47 |



Outlet Strips

Outlet Strips



15 Amp - Industrial/Commercial Grade

1584 Series

Key Features

- Built to meet the rugged requirements of commercial and industrial use.
- All metal housing - tough extruded aluminum case with a black powder paint coated steel cover.
- Heavy duty receptacles.
- Heavy 14 gauge wire cord - 14/3 SJT or SJWT for extreme temperature ranges and integral molded plug.
- Plug types available are NEMA 5-15P straight blade or NEMA L5-15P locking plug (see table below).
- Mounting feet (with keyhole slots) allow temporary work station mounting if desired.
- On-Off switch is rocker type with light (on those units with on-off switch - listed below) or a red pilot light to indicate power on.
- Includes 15 amp, 125 volt resettable circuit breaker to prevent accidental line overload.
- CSA certified, Standards C22.2 (No. 21-95 and No. 42-99)
- UL listed, Standard UL1363
- Surge Protected models also available - please see the 1584 "S" models on [page 25](#)



| Part No. | Outlets | On-Off Switch | Pilot Light | Cord Length | Plug Type | Dimensions (inches) |
|----------|---------|---------------|-------------|-------------|--------------|---------------------|
| 1584H4A1 | 4 | Yes | - | 6' | Straight | 11 x 2 x 2 |
| 1584H4B1 | 4 | Yes | - | 15' | Straight | 11 x 2 x 2 |
| 1584H4C1 | 4 | Yes | - | 6' | Locking Plug | 11 x 2 x 2 |
| 1584H4D1 | 4 | Yes | - | 15' | Locking Plug | 11 x 2 x 2 |
| 1584H5A1 | 5 | Yes | - | 6' | Straight | 14 x 2 x 2 |
| 1584H5B1 | 5 | Yes | - | 15' | Straight | 14 x 2 x 2 |
| 1584H5C1 | 5 | Yes | - | 6' | Locking Plug | 14 x 2 x 2 |
| 1584H5D1 | 5 | Yes | - | 15' | Locking Plug | 14 x 2 x 2 |
| 1584H6A1 | 6 | Yes | - | 6' | Straight | 14 x 2 x 2 |
| 1584H6B1 | 6 | Yes | - | 15' | Straight | 14 x 2 x 2 |
| 1584H6C1 | 6 | Yes | - | 6' | Locking Plug | 14 x 2 x 2 |
| 1584H6D1 | 6 | Yes | - | 15' | Locking Plug | 14 x 2 x 2 |
| 1584H7A1 | 7 | Yes | - | 6' | Straight | 17 x 2 x 2 |
| 1584H7B1 | 7 | Yes | - | 15' | Straight | 17 x 2 x 2 |
| 1584H7C1 | 7 | Yes | - | 6' | Locking Plug | 17 x 2 x 2 |
| 1584H7D1 | 7 | Yes | - | 15' | Locking Plug | 17 x 2 x 2 |
| 1584H8A1 | 8 | Yes | - | 6' | Straight | 17 x 2 x 2 |
| 1584H8B1 | 8 | Yes | - | 15' | Straight | 17 x 2 x 2 |
| 1584H8C1 | 8 | Yes | - | 6' | Locking Plug | 17 x 2 x 2 |
| 1584H8D1 | 8 | Yes | - | 15' | Locking Plug | 17 x 2 x 2 |
| 1584T4A1 | 4 | - | Yes | 6' | Straight | 11 x 2 x 2 |
| 1584T4B1 | 4 | - | Yes | 15' | Straight | 11 x 2 x 2 |
| 1584T4C1 | 4 | - | Yes | 6' | Locking Plug | 11 x 2 x 2 |
| 1584T4D1 | 4 | - | Yes | 15' | Locking Plug | 11 x 2 x 2 |
| 1584T5A1 | 5 | - | Yes | 6' | Straight | 14 x 2 x 2 |
| 1584T5B1 | 5 | - | Yes | 15' | Straight | 14 x 2 x 2 |
| 1584T5C1 | 5 | - | Yes | 6' | Locking Plug | 14 x 2 x 2 |
| 1584T5D1 | 5 | - | Yes | 15' | Locking Plug | 14 x 2 x 2 |
| 1584T6A1 | 6 | - | Yes | 6' | Straight | 14 x 2 x 2 |
| 1584T6B1 | 6 | - | Yes | 15' | Straight | 14 x 2 x 2 |
| 1584T6C1 | 6 | - | Yes | 6' | Locking Plug | 14 x 2 x 2 |
| 1584T6D1 | 6 | - | Yes | 15' | Locking Plug | 14 x 2 x 2 |
| 1584T7A1 | 7 | - | Yes | 6' | Straight | 17 x 2 x 2 |
| 1584T7B1 | 7 | - | Yes | 15' | Straight | 17 x 2 x 2 |
| 1584T7C1 | 7 | - | Yes | 6' | Locking Plug | 17 x 2 x 2 |
| 1584T7D1 | 7 | - | Yes | 15' | Locking Plug | 17 x 2 x 2 |
| 1584T8A1 | 8 | - | Yes | 6' | Straight | 17 x 2 x 2 |
| 1584T8B1 | 8 | - | Yes | 15' | Straight | 17 x 2 x 2 |
| 1584T8C1 | 8 | - | Yes | 6' | Locking Plug | 17 x 2 x 2 |
| 1584T8D1 | 8 | - | Yes | 15' | Locking Plug | 17 x 2 x 2 |

Also Available (by special order) - change to a 90 degree Nema 5-15P plug on 1584 models ending in 'A1' or 'B1'.

15 Amp (90° Offset) - Industrial/Commercial Grade

1584 "RA" Series

Key Features

- Receptacles turned 90° to allow space for wall transformers
- 4 outlet receptacles are spaced 2.3" apart, 6 outlet receptacles are spaced 2.1" apart (center to center)
- Built to meet the rugged requirements of commercial and industrial use.
- All metal housing - tough extruded aluminum case with a black powder paint coated steel cover.
- Heavy duty receptacles.
- Heavy 14 gauge wire cord - 14/3 SJT or SJTW for extreme temperature ranges and integral molded plug.
- Plug types available are NEMA 5-15P straight blade or NEMA L5-15P locking plug (see table below).
- Mounting feet (with keyhole slots) allow temporary work station mounting if desired.
- On-Off switch is rocker type with light (on those units with on-off switch - listed below) or a red pilot light to indicate power on.
- Includes 15 amp, 125 volt resettable circuit breaker to prevent accidental line overload.
- CSA certified, Standards C22.2 (No. 21-95 and No. 42-99)
- UL listed, Standard UL1363



Outlet Strips

| Part No. | Outlets | On-Off Switch | Pilot Light | Cord Length | Plug Type | Dimensions (inches) |
|------------|---------|---------------|-------------|-------------|--------------|---------------------|
| 1584H4A1RA | 4 | Yes | - | 6' | Straight | 14 x 2 x 2 |
| 1584H4B1RA | 4 | Yes | - | 15' | Straight | 14 x 2 x 2 |
| 1584H4C1RA | 4 | Yes | - | 6' | Locking Plug | 14 x 2 x 2 |
| 1584H4D1RA | 4 | Yes | - | 15' | Locking Plug | 14 x 2 x 2 |
| 1584T4A1RA | 4 | - | Yes | 6' | Straight | 14 x 2 x 2 |
| 1584T4B1RA | 4 | - | Yes | 15' | Straight | 14 x 2 x 2 |
| 1584T4C1RA | 4 | - | Yes | 6' | Locking Plug | 14 x 2 x 2 |
| 1584T4D1RA | 4 | - | Yes | 15' | Locking Plug | 14 x 2 x 2 |
| 1584H6A1RA | 6 | Yes | - | 6' | Straight | 17 x 2 x 2 |
| 1584H6B1RA | 6 | Yes | - | 15' | Straight | 17 x 2 x 2 |
| 1584H6C1RA | 6 | Yes | - | 6' | Locking Plug | 17 x 2 x 2 |
| 1584H6D1RA | 6 | Yes | - | 15' | Locking Plug | 17 x 2 x 2 |
| 1584T6A1RA | 6 | - | Yes | 6' | Straight | 17 x 2 x 2 |
| 1584T6B1RA | 6 | - | Yes | 15' | Straight | 17 x 2 x 2 |
| 1584T6C1RA | 6 | - | Yes | 6' | Locking Plug | 17 x 2 x 2 |
| 1584T6D1RA | 6 | - | Yes | 15' | Locking Plug | 17 x 2 x 2 |

Also Available (by special order) - change to a 90 degree Nema 5-15P plug on 1584 models ending in 'A1RA' or 'B1RA'.



15 Amp - With "Green Dot" Plug & Receptacles

1584 "H" Series

Outlet Strips



Key Features

- Featuring a sturdy aluminum extruded case with a distinctive black powder paint coated steel cover.
- Designed to meet the special requirements for institutional and chronic care use.
- NOT FOR USE IN CRITICAL CARE ENVIRONMENTS
- With "Green Dot" white receptacles, line cord and plug.
- Exceeds NEMA requirements for low leakage ground return and for withstanding impact or continuous physical shock without loss of grounding path continuity when plugged into properly grounded source receptacles.
- The white "Green Dot" receptacles are securely fastened onto the housing and interconnected with solidly bonded bus bars. All bus bars are double connected with a convection pressure sensitive clamp and safety screw. Perfect also for ground sensitive audio applications!
- An additional grounding screw is provided on the case for any further external grounding requirements.
- Heavy duty 14 gauge cord - 14/3 SJT or SJTW for extreme temperature ranges and integral clear molded "Green Dot" plug.
- Complete with a 15 amp, 125 volt resettable circuit breaker to prevent accidental line overload.
- Mounting feet (with keyhole slots) allow temporary work station mounting if desired.
- CSA certified, Standards C22.2 (No. 21-95 and No. 42-99), Cord Sets No. 8 - Hospital Grade Powerbars (Canada Only).
- UL listed, Standard UL1363

| Part No. | Outlets | Cord Length | Dimensions (inches) | Ship Wt. |
|-----------|---------|-------------|---------------------|----------|
| 1584T4DH6 | 4 | 6' | 11 x 2 x 2 | 2.5 lbs. |
| 1584T4DH | 4 | 12' | 11 x 2 x 2 | 3.0 lbs. |
| 1584T6DH6 | 6 | 6' | 14 x 2 x 2 | 2.7 lbs. |
| 1584T6DH | 6 | 12' | 14 x 2 x 2 | 3.3 lbs. |
| 1584T8DH6 | 8 | 6' | 17 x 2 x 2 | 2.9 lbs. |
| 1584T8DH | 8 | 12' | 17 x 2 x 2 | 3.9 lbs. |



Key Features

- Built to meet the rugged requirements of industrial and commercial use.
- All metal housing – tough extruded aluminum case with black powder-coated steel cover.
- Heavy-duty black receptacles rated for 20A, 125VAC service (NEMA 5-20R, Single T-Slot).
- Heavy-duty power cord – 12/3 SJT or SJTW for extreme temperature ranges.
- Integral molded plug with straight blade (NEMA 5-20P) or locking plug (NEMA L5-20P) configuration.
- Available with on/off switch or red pilot light to indicate power on (see table).
- Includes 20A, 125VAC circuit breaker to prevent accidental line overload.
- Mounting feet (with keyhole slots) allow temporary work station mounting if desired.
- CSA certified, Standards C22.2 (No. 21-95 and No. 42-99)
- UL listed, Standard UL1363



| Part No. | Outlets | On-Off Switch | Pilot Light | Cord Length | Plug Type | Dimensions (inches) | Ship Wt. |
|----------|---------|---------------|-------------|-------------|--------------|---------------------|----------|
| 1589H4C1 | 4 | Yes | - | 6' | Locking Plug | 11 x 2 x 2 | 3.0 lbs. |
| 1589H4D1 | 4 | Yes | - | 15' | Locking Plug | 11 x 2 x 2 | 3.5 lbs. |
| 1589H4F1 | 4 | Yes | - | 6' | Straight | 11 x 2 x 2 | 3.0 lbs. |
| 1589H4G1 | 4 | Yes | - | 15' | Straight | 11 x 2 x 2 | 3.5 lbs. |
| 1589H6C1 | 6 | Yes | - | 6' | Locking Plug | 14 x 2 x 2 | 3.0 lbs. |
| 1589H6D1 | 6 | Yes | - | 15' | Locking Plug | 14 x 2 x 2 | 3.5 lbs. |
| 1589H6F1 | 6 | Yes | - | 6' | Straight | 14 x 2 x 2 | 3.0 lbs. |
| 1589H6G1 | 6 | Yes | - | 15' | Straight | 14 x 2 x 2 | 3.5 lbs. |
| 1589H8C1 | 8 | Yes | - | 6' | Locking Plug | 17 x 2 x 2 | 3.2 lbs. |
| 1589H8D1 | 8 | Yes | - | 15' | Locking Plug | 17 x 2 x 2 | 3.7 lbs. |
| 1589H8F1 | 8 | Yes | - | 6' | Straight | 17 x 2 x 2 | 3.2 lbs. |
| 1589H8G1 | 8 | Yes | - | 15' | Straight | 17 x 2 x 2 | 3.7 lbs. |
| 1589T4C1 | 4 | - | Yes | 6' | Locking Plug | 11 x 2 x 2 | 3.0 lbs. |
| 1589T4D1 | 4 | - | Yes | 15' | Locking Plug | 11 x 2 x 2 | 3.5 lbs. |
| 1589T4F1 | 4 | - | Yes | 6' | Straight | 11 x 2 x 2 | 3.0 lbs. |
| 1589T4G1 | 4 | - | Yes | 15' | Straight | 11 x 2 x 2 | 3.5 lbs. |
| 1589T6C1 | 6 | - | Yes | 6' | Locking Plug | 14 x 2 x 2 | 3.0 lbs. |
| 1589T6D1 | 6 | - | Yes | 15' | Locking Plug | 14 x 2 x 2 | 3.5 lbs. |
| 1589T6F1 | 6 | - | Yes | 6' | Straight | 14 x 2 x 2 | 3.0 lbs. |
| 1589T6G1 | 6 | - | Yes | 15' | Straight | 14 x 2 x 2 | 3.5 lbs. |
| 1589T8C1 | 8 | - | Yes | 6' | Locking Plug | 17 x 2 x 2 | 3.2 lbs. |
| 1589T8D1 | 8 | - | Yes | 15' | Locking Plug | 17 x 2 x 2 | 3.7 lbs. |
| 1589T8F1 | 8 | - | Yes | 6' | Straight | 17 x 2 x 2 | 3.2 lbs. |
| 1589T8G1 | 8 | - | Yes | 15' | Straight | 17 x 2 x 2 | 3.7 lbs. |



Key Features

- Designed for use with IEC power cords
- All metal housing – tough extruded aluminum case with black powder-coated steel cover
- One IEC 320 - C14 inlet, and 4, 5, 6 or 8 IEC 320 - C13 outlets
- On-Off switch is rocker type with green light (on those units with on-off switch - listed below) or a green pilot light to indicate power on.
- Mounting feet (with keyhole slots) allow temporary work station mounting if desired.
- Includes 10A, 230VAC circuit breaker to prevent accidental line overload
- cULus listed, Standards UL60950 & CSA C22.2 No. 60950
- CSA certified, Standards C22.2 (No. 21-95 and No. 42-99)
- TÜV-GS certified, Standards EN60335-1 and EN60950-1
- CE certified Registration #: AN 72031916 0001



| Part No. | Outlets | On-Off Switch | Pilot Light | Dimensions (inches) | Electrical Rating | Ship Wt. |
|----------|---------|---------------|-------------|---------------------|-------------------|----------|
| 1581H4 | 4 | Yes | - | 10 x 2 x 2 | 230VAC / 10A | 1.2 lbs |
| 1581H5 | 5 | Yes | - | 11.75 x 2 x 2 | 230VAC / 10A | 1.2 lbs |
| 1581H6 | 6 | Yes | - | 13.25 x 2 x 2 | 230VAC / 10A | 1.5 lbs |
| 1581H8 | 8 | Yes | - | 17 x 2 x 2 | 230VAC / 10A | 2.0 lbs |
| 1581T4 | 4 | - | Yes | 10 x 2 x 2 | 230VAC / 10A | 1.2 lbs |
| 1581T5 | 5 | - | Yes | 11.75 x 2 x 2 | 230VAC / 10A | 1.2 lbs |
| 1581T6 | 6 | - | Yes | 13.25 x 2 x 2 | 230VAC / 10A | 1.5 lbs |
| 1581T8 | 8 | - | Yes | 17 x 2 x 2 | 230VAC / 10A | 2.0 lbs |

Key Features

- Designed for power distribution in a compact area.
- Available with a single on/off switch, no switch or individually switched receptacles
- Heavy 14 gauge wire cord - 14/3 SJT or SJTW for extreme temperature ranges and integral molded plug.
- Plug type available is NEMA 5-15P straight blade.
- Includes 15 Amp, 125 VAC circuit breaker to prevent accidental overload.
- Mounting feet (with keyhole slots) allow temporary work station mounting if desired.
- CSA certified, Standards C22.2 (No. 21-95 and No. 42-99)
- UL listed, Standard UL1363



Power Block

| Part No. | Outlets | On-Off Switch | Pilot Light | Cord Length | Enclosure Length | Plug Type |
|-----------|---------|---------------|-------------|-------------|------------------|-----------|
| 1580H10A1 | 10 | Yes | - | 6' | 10.5" | Straight |
| 1580H10B1 | 10 | Yes | - | 15' | 10.5" | Straight |
| 1580T10A1 | 10 | - | Yes | 6' | 10.5" | Straight |
| 1580T10B1 | 10 | - | Yes | 15' | 10.5" | Straight |

Also Available (by special order) - change to a 90 degree Nema 5-15P plug on 1580 models ending in 'A1' or 'B1'.



Power Block (Individually Switched)

| Part No. | Outlets | On-Off Switch | Pilot Light | Cord Length | Enclosure Length | Plug Type |
|-----------|---------|---------------|-------------|-------------|------------------|-----------|
| 1580H7A1X | 7 | Yes (7) | - | 6' | 13.5" | Straight |
| 1580H7B1X | 7 | Yes (7) | - | 15' | 13.5" | Straight |

Also Available (by special order) - change to a 90 degree Nema 5-15P plug on 1580 models ending in 'A1X' or 'B1X'.

Basic Plastic Outlet Strip

P0801 Series



Outlet Strips

Key Features

- Basic power bar - no surge protection.
- Economical design.
- Moulded in UL VO grade flame retardant plastic case.
- 3' long, heavy 14 gauge wire cord - integral molded plug.
- 15 Amp circuit breaker and lighted on/off switch.
- Rated 15 amps, 115 volt.
- CSA certified
- UL listed.

Part No.

P0801



Rack Mount Outlet Strips

Rack Mount Outlet Strips



15 Amp - Rack Panel Mount (Front Mounted Receptacles)

1582 Series



Key Features

- Designed for power distribution from the front of the unit
- Available with lighted on/off switch or red pilot light to indicate power on(see tables below).
- Available in ASA 61 grey or black powder coat finish.
- Heavy 14 gauge wire cord - 14/3 SJT or SJTW for extreme temperature ranges and integral molded plug.
- Plug types available are NEMA 5-15P straight blade or NEMA L5-15P locking plug.
- Includes 15 Amp, 125 VAC circuit breaker to prevent accidental overload.
- 6 outlet models include 2 outlets with extra spacing for clearance of most plug in transformers (see photo above).
- Panel dimensions are 1.75" high (1U) and 19" rack width.
- CSA certified, Standards C22.2 (No. 21-95 and No. 42-99)
- UL recognized, Standard UL1363
- Surge Protected models also available - please see the 1582 "S" models on [page 26](#)



Rack Mount Outlet Strips

| Part No. | Color | Outlets | On-Off Switch | Pilot Light | Cord Length | Plug Type |
|------------|-------------|---------|---------------|-------------|-------------|--------------|
| 1582H6A1 | ASA 61 Grey | 6 | Yes | - | 6' | Straight |
| 1582H6B1 | ASA 61 Grey | 6 | Yes | - | 15' | Straight |
| 1582H6C1 | ASA 61 Grey | 6 | Yes | - | 6' | Locking Plug |
| 1582H6D1 | ASA 61 Grey | 6 | Yes | - | 15' | Locking Plug |
| 1582H6A1BK | Black | 6 | Yes | - | 6' | Straight |
| 1582H6B1BK | Black | 6 | Yes | - | 15' | Straight |
| 1582H6C1BK | Black | 6 | Yes | - | 6' | Locking Plug |
| 1582H6D1BK | Black | 6 | Yes | - | 15' | Locking Plug |
| 1582H8A1 | ASA 61 Grey | 8 | Yes | - | 6' | Straight |
| 1582H8B1 | ASA 61 Grey | 8 | Yes | - | 15' | Straight |
| 1582H8C1 | ASA 61 Grey | 8 | Yes | - | 6' | Locking Plug |
| 1582H8D1 | ASA 61 Grey | 8 | Yes | - | 15' | Locking Plug |
| 1582H8A1BK | Black | 8 | Yes | - | 6' | Straight |
| 1582H8B1BK | Black | 8 | Yes | - | 15' | Straight |
| 1582H8C1BK | Black | 8 | Yes | - | 6' | Locking Plug |
| 1582H8D1BK | Black | 8 | Yes | - | 15' | Locking Plug |
| 1582T6A1 | ASA 61 Grey | 6 | - | Yes | 6' | Straight |
| 1582T6B1 | ASA 61 Grey | 6 | - | Yes | 15' | Straight |
| 1582T6C1 | ASA 61 Grey | 6 | - | Yes | 6' | Locking Plug |
| 1582T6D1 | ASA 61 Grey | 6 | - | Yes | 15' | Locking Plug |
| 1582T6A1BK | Black | 6 | - | Yes | 6' | Straight |
| 1582T6B1BK | Black | 6 | - | Yes | 15' | Straight |
| 1582T6C1BK | Black | 6 | - | Yes | 6' | Locking Plug |
| 1582T6D1BK | Black | 6 | - | Yes | 15' | Locking Plug |
| 1582T8A1 | ASA 61 Grey | 8 | - | Yes | 6' | Straight |
| 1582T8B1 | ASA 61 Grey | 8 | - | Yes | 15' | Straight |
| 1582T8C1 | ASA 61 Grey | 8 | - | Yes | 6' | Locking Plug |
| 1582T8D1 | ASA 61 Grey | 8 | - | Yes | 15' | Locking Plug |
| 1582T8A1BK | Black | 8 | - | Yes | 6' | Straight |
| 1582T8B1BK | Black | 8 | - | Yes | 15' | Straight |
| 1582T8C1BK | Black | 8 | - | Yes | 6' | Locking Plug |
| 1582T8D1BK | Black | 8 | - | Yes | 15' | Locking Plug |

15 Amp - Rack Panel Mount (Rear Mounted Receptacles)

1583 Series



Key Features

- Designed for power distribution from the rear of the unit.
- With lighted on/off switch or red pilot light (see tables below) to indicate power on.
- Available in ASA 61 grey or black powder coat finish.
- Heavy 14 gauge wire cord - 14/3 SJT or SJTW for extreme temperature ranges and integral molded plug.
- Plug types available are NEMA 5-15P straight blade or NEMA L5-15P locking plug (see table & pictures below).
- Includes 15 Amp, 125 VAC circuit breaker to prevent accidental overload.
- 6 outlet models include 2 outlets with extra spacing for clearance of most plug in transformers.
- Panel dimensions are 1.75" high (1U) and 19" width
- CSA certified, Standards C22.2 (No. 21-95 and No. 42-99)
- UL recognized, Standard UL1363
- Surge Protected models also available - please see the 1583 "S" models on [page 27](#)



Rack Mount Outlet Strips

| Part No. | Color | Outlets | On-Off Switch | Cord Length | Plug Type |
|------------|-------------|---------|---------------|-------------|--------------|
| 1583H6A1 | ASA 61 Grey | 6 | Yes | 6' | Straight |
| 1583H6B1 | ASA 61 Grey | 6 | Yes | 15' | Straight |
| 1583H6C1 | ASA 61 Grey | 6 | Yes | 6' | Locking Plug |
| 1583H6D1 | ASA 61 Grey | 6 | Yes | 15' | Locking Plug |
| 1583H6A1BK | Black | 6 | Yes | 6' | Straight |
| 1583H6B1BK | Black | 6 | Yes | 15' | Straight |
| 1583H6C1BK | Black | 6 | Yes | 6' | Locking Plug |
| 1583H6D1BK | Black | 6 | Yes | 15' | Locking Plug |
| 1583H8A1 | ASA 61 Grey | 8 | Yes | 6' | Straight |
| 1583H8B1 | ASA 61 Grey | 8 | Yes | 15' | Straight |
| 1583H8C1 | ASA 61 Grey | 8 | Yes | 6' | Locking Plug |
| 1583H8D1 | ASA 61 Grey | 8 | Yes | 15' | Locking Plug |
| 1583H8A1BK | Black | 8 | Yes | 6' | Straight |
| 1583H8B1BK | Black | 8 | Yes | 15' | Straight |
| 1583H8C1BK | Black | 8 | Yes | 6' | Locking Plug |
| 1583H8D1BK | Black | 8 | Yes | 15' | Locking Plug |
| 1583T6A1 | ASA 61 Grey | 6 | No | 6' | Straight |
| 1583T6B1 | ASA 61 Grey | 6 | No | 15' | Straight |
| 1583T6C1 | ASA 61 Grey | 6 | No | 6' | Locking Plug |
| 1583T6D1 | ASA 61 Grey | 6 | No | 15' | Locking Plug |
| 1583T6A1BK | Black | 6 | No | 6' | Straight |
| 1583T6B1BK | Black | 6 | No | 15' | Straight |
| 1583T6C1BK | Black | 6 | No | 6' | Locking Plug |
| 1583T6D1BK | Black | 6 | No | 15' | Locking Plug |
| 1583T8A1 | ASA 61 Grey | 8 | No | 6' | Straight |
| 1583T8B1 | ASA 61 Grey | 8 | No | 15' | Straight |
| 1583T8C1 | ASA 61 Grey | 8 | No | 6' | Locking Plug |
| 1583T8D1 | ASA 61 Grey | 8 | No | 15' | Locking Plug |
| 1583T8A1BK | Black | 8 | No | 6' | Straight |
| 1583T8B1BK | Black | 8 | No | 15' | Straight |
| 1583T8C1BK | Black | 8 | No | 6' | Locking Plug |
| 1583T8D1BK | Black | 8 | No | 15' | Locking Plug |

15 Amp - Rack Panel Mount

1583 "X" Series



Front View



Rear View

Rack Mount Outlet Strips

Key Features

- Designed for power distribution from both the front and rear of the unit.
- Available with lighted on/off switch or red pilot light to indicate power on.
- Available in black powder coat finish.
- Heavy 14 gauge wire cord - 14/3 SJT or SJTW for extreme temperature ranges and integral molded plug.
- Plug types available are NEMA 5-15P straight blade or NEMA L5-15P locking plug (see table below).
- Includes 15 Amp, 125 VAC circuit breaker to prevent accidental overload.
- Panel dimensions are 1.75" high (1U) and 19" rack width.
- CSA certified, Standards C22.2 (No. 21-95 and No. 42-99)
- UL recognized, Standard UL1363



| Part No. | Total Outlets | Front Outlets | Rear Outlets | On-Off Switch | Pilot Light | Cord Length | Plug Type |
|--------------|---------------|---------------|--------------|---------------|-------------|-------------|--------------|
| 1583H6A1BKX | 6 | 2 | 4 | Yes | - | 6' | Straight |
| 1583H6B1BKX | 6 | 2 | 4 | Yes | - | 15' | Straight |
| 1583H6C1BKX | 6 | 2 | 4 | Yes | - | 6' | Locking Plug |
| 1583H6D1BKX | 6 | 2 | 4 | Yes | - | 15' | Locking Plug |
| 1583T6A1BKX | 6 | 2 | 4 | - | Yes | 6' | Straight |
| 1583T6B1BKX | 6 | 2 | 4 | - | Yes | 15' | Straight |
| 1583T6C1BKX | 6 | 2 | 4 | - | Yes | 6' | Locking Plug |
| 1583T6D1BKX | 6 | 2 | 4 | - | Yes | 15' | Locking Plug |
| 1583H12A1BKX | 12 | 6 | 6 | Yes | - | 6' | Straight |
| 1583H12B1BKX | 12 | 6 | 6 | Yes | - | 15' | Straight |
| 1583H12C1BKX | 12 | 6 | 6 | Yes | - | 6' | Locking Plug |
| 1583H12D1BKX | 12 | 6 | 6 | Yes | - | 15' | Locking Plug |
| 1583T12A1BKX | 12 | 6 | 6 | - | Yes | 6' | Straight |
| 1583T12B1BKX | 12 | 6 | 6 | - | Yes | 15' | Straight |
| 1583T12C1BKX | 12 | 6 | 6 | - | Yes | 6' | Locking Plug |
| 1583T12D1BKX | 12 | 6 | 6 | - | Yes | 15' | Locking Plug |

15 Amp (90° Offset) - Rack Panel Mount

1582 & 1583 "RA" Series

Key Features

- Receptacles turned 90° to allow space for wall transformers, spaced 2.0" apart (center to center).
- Designed for power distribution from front OR rear of the unit.
- Available with lighted on/off switch or red pilot light to indicate power on (see tables below).
- Available in black powder coat finish.
- Heavy 14 gauge wire cord - 14/3 SJT or SJTW for extreme temperature ranges and integral molded plug.
- Plug types available are NEMA 5-15P straight blade or NEMA L5-15P locking plug.
- Includes 15 Amp, 125 VAC circuit breaker to prevent accidental overload.
- Panel dimensions are 1.75" high (1U) and 19" rack width.
- CSA certified, Standards C22.2 (No. 21-95 and No. 42-99)
- UL recognized, Standard UL1363



| Part No. | Total Outlets | Outlets Location | On-Off Switch | Pilot Light | Cord Length | Plug Type |
|--------------|---------------|------------------|---------------|-------------|-------------|--------------|
| 1582H6A1BKRA | 6 | Front | Yes | - | 6' | Straight |
| 1582H6B1BKRA | 6 | Front | Yes | - | 15' | Straight |
| 1582H6C1BKRA | 6 | Front | Yes | - | 6' | Locking Plug |
| 1582H6D1BKRA | 6 | Front | Yes | - | 15' | Locking Plug |
| 1582T6A1BKRA | 6 | Front | - | Yes | 6' | Straight |
| 1582T6B1BKRA | 6 | Front | - | Yes | 15' | Straight |
| 1582T6C1BKRA | 6 | Front | - | Yes | 6' | Locking Plug |
| 1582T6D1BKRA | 6 | Front | - | Yes | 15' | Locking Plug |
| 1583H6A1BKRA | 6 | Rear | Yes | - | 6' | Straight |
| 1583H6B1BKRA | 6 | Rear | Yes | - | 15' | Straight |
| 1583H6C1BKRA | 6 | Rear | Yes | - | 6' | Locking Plug |
| 1583H6D1BKRA | 6 | Rear | Yes | - | 15' | Locking Plug |
| 1583T6A1BKRA | 6 | Rear | - | Yes | 6' | Straight |
| 1583T6B1BKRA | 6 | Rear | - | Yes | 15' | Straight |
| 1583T6C1BKRA | 6 | Rear | - | Yes | 6' | Locking Plug |
| 1583T6D1BKRA | 6 | Rear | - | Yes | 15' | Locking Plug |

International (IEC) - Rack Panel Mount

1582 "E" Series

Key Features

- Designed for use with IEC power cords
- All steel housing with black powder coat finish
- One IEC 320 - C14 inlet, and 8 IEC 320 - C13 outlets
- Standard 19" rack mount
- Designed for power distribution from front of unit
- On-Off switch is rocker type with green light (on those units with on-off switch - listed below) or a green pilot light to indicate power on.
- Includes 10A, 230VAC circuit breaker to prevent accidental line overload
- CSA certified, Standards C22.2 (No. 21-95 and No. 42-99)
- UL listed, Standards UL60950 & CSA C22.2 No. 60950
- TÜV-GS certified, Standards EN60335-1 and EN60950-1
- CE certified #AN 72031916 0001



| Part No. | Outlets | Outlet Location | Inlet Location | On-Off Switch | Pilot Light | Dimensions (Inches) | Electrical Rating | Ship Wt. |
|------------|---------|-----------------|----------------|---------------|-------------|---------------------|-------------------|----------|
| 1582H8E1BK | 8 | Front | Rear | Yes | - | 19 x 3 x 2 | 230VAC /10A | 4.0 lbs |
| 1582T8E1BK | 8 | Front | Rear | - | Yes | 19 x 3 x 2 | 230VAC /10A | 4.0 lbs |
| 1583H8E1BK | 8 | Rear | Rear | Yes | - | 19 x 3 x 2 | 230VAC /10A | 4.0 lbs |
| 1583T8E1BK | 8 | Rear | Rear | - | Yes | 19 x 3 x 2 | 230VAC /10A | 4.0 lbs |

Rack Mount Outlet Strips

20 Amp - Rack Panel Mount

1589 "RF & RR" Series



Rack Mount Outlet Strips

Key Features

- Designed for power distribution from front OR rear of the unit.
- Available with on/off switch or red pilot light to indicate power on (see table below).
- Available in black powder coat finish.
- Heavy 12 gauge wire cord - 12/3 SJT or SJTW for extreme temperature ranges and integral molded plug.
- Heavy-duty black receptacles rated for 20A, 125VAC service (NEMA 5-20R, Single T-Slot).
- Plug types available are NEMA 5-20P straight blade or NEMA L5-20P locking plug (see table below).
- Includes 20 Amp, 125 VAC circuit breaker to prevent accidental overload.
- Panel dimensions are 1.75" high (1U) and 19" rack width.
- CSA certified, Standards C22.2 (No. 21-95 and No. 42-99)
- UL recognized, Standard UL1363



| Part No. | Total Outlets | Outlets Location | On-Off Switch | Pilot Light | Cord Length | Plug Type | Dimensions (Inches) |
|--------------|---------------|------------------|---------------|-------------|-------------|--------------|---------------------|
| 1589H6C1BKRF | 6 | Front | Yes | - | 6' | Locking Plug | 19 x 3 x 1.75 |
| 1589H6D1BKRF | 6 | Front | Yes | - | 15' | Locking Plug | 19 x 3 x 1.75 |
| 1589H6F1BKRF | 6 | Front | Yes | - | 6' | Straight | 19 x 3 x 1.75 |
| 1589H6G1BKRF | 6 | Front | Yes | - | 15' | Straight | 19 x 3 x 1.75 |
| 1589T6C1BKRF | 6 | Front | - | Yes | 6' | Locking Plug | 19 x 3 x 1.75 |
| 1589T6D1BKRF | 6 | Front | - | Yes | 15' | Locking Plug | 19 x 3 x 1.75 |
| 1589T6F1BKRF | 6 | Front | - | Yes | 6' | Straight | 19 x 3 x 1.75 |
| 1589T6G1BKRF | 6 | Front | - | Yes | 15' | Straight | 19 x 3 x 1.75 |
| 1589H6C1BKRR | 6 | Rear | Yes | - | 6' | Locking Plug | 19 x 3 x 1.75 |
| 1589H6D1BKRR | 6 | Rear | Yes | - | 15' | Locking Plug | 19 x 3 x 1.75 |
| 1589H6F1BKRR | 6 | Rear | Yes | - | 6' | Straight | 19 x 3 x 1.75 |
| 1589H6G1BKRR | 6 | Rear | Yes | - | 15' | Straight | 19 x 3 x 1.75 |
| 1589T6C1BKRR | 6 | Rear | - | Yes | 6' | Locking Plug | 19 x 3 x 1.75 |
| 1589T6D1BKRR | 6 | Rear | - | Yes | 15' | Locking Plug | 19 x 3 x 1.75 |
| 1589T6F1BKRR | 6 | Rear | - | Yes | 6' | Straight | 19 x 3 x 1.75 |
| 1589T6G1BKRR | 6 | Rear | - | Yes | 15' | Straight | 19 x 3 x 1.75 |
| 1589H8C1BKRF | 8 | Front | Yes | - | 6' | Locking Plug | 19 x 3 x 1.75 |
| 1589H8D1BKRF | 8 | Front | Yes | - | 15' | Locking Plug | 19 x 3 x 1.75 |
| 1589H8F1BKRF | 8 | Front | Yes | - | 6' | Straight | 19 x 3 x 1.75 |
| 1589H8G1BKRF | 8 | Front | Yes | - | 15' | Straight | 19 x 3 x 1.75 |
| 1589T8C1BKRF | 8 | Front | - | Yes | 6' | Locking Plug | 19 x 3 x 1.75 |
| 1589T8D1BKRF | 8 | Front | - | Yes | 15' | Locking Plug | 19 x 3 x 1.75 |
| 1589T8F1BKRF | 8 | Front | - | Yes | 6' | Straight | 19 x 3 x 1.75 |
| 1589T8G1BKRF | 8 | Front | - | Yes | 15' | Straight | 19 x 3 x 1.75 |
| 1589H8C1BKRR | 8 | Rear | Yes | - | 6' | Locking Plug | 19 x 3 x 1.75 |
| 1589H8D1BKRR | 8 | Rear | Yes | - | 15' | Locking Plug | 19 x 3 x 1.75 |
| 1589H8F1BKRR | 8 | Rear | Yes | - | 6' | Straight | 19 x 3 x 1.75 |
| 1589H8G1BKRR | 8 | Rear | Yes | - | 15' | Straight | 19 x 3 x 1.75 |
| 1589T8C1BKRR | 8 | Rear | - | Yes | 6' | Locking Plug | 19 x 3 x 1.75 |
| 1589T8D1BKRR | 8 | Rear | - | Yes | 15' | Locking Plug | 19 x 3 x 1.75 |
| 1589T8F1BKRR | 8 | Rear | - | Yes | 6' | Straight | 19 x 3 x 1.75 |
| 1589T8G1BKRR | 8 | Rear | - | Yes | 15' | Straight | 19 x 3 x 1.75 |

15 & 20 Amp - Industrial/Commercial Grade (with Ammeter)

1583 & 1589 "AM" Series



Front View



Rear View

Key Features

- Designed for power distribution from the rear of the unit.
- Unit includes easy to read 0.37" high red LED ammeter (1.38" x 0.88" display).
- Ammeter accuracy +/- 0.1 Amps
- Available with lighted on/off switch or red pilot light to indicate power on (see tables below). 20 Amp units have a multi-colored rocker switch.
- Available in black powder coat finish.
- The 15 amp. series uses heavy 14 gauge wire cord - 14/3 SJT or SJTW for extreme temperature ranges and integral molded NEMA 5-15P straight blade plug.
- The 20 amp. series uses heavy 12 gauge wire cord - 12/3 SJT or SJTW for extreme temperature ranges and integral NEMA 5-20P straight blade or L5-20P locking plug molded plug.
- Includes 15 or 20 Amp, 125 VAC circuit breaker to prevent accidental overload.
- Two of the six outlets include extra spacing for clearance of most plug in transformers (see photo above).
- Panel dimensions are 1.75" high (1U) and 19" rack width.
- Units are cURus recognized to Standard UL1363 & CSA C22.2 No. 21-95



Rack Mount Outlet Strips

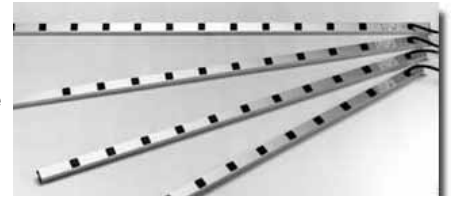
| Part No. | Maximum Current | Rear Outlets | Lighted On-Off Switch | On-Off Switch (No Light) | Pilot Light | With Ammeter | Cord Length | Plug Type |
|----------------|-----------------|--------------|-----------------------|--------------------------|-------------|--------------|-------------|--------------|
| 1583H6A1BKAM | 15 Amps | 6 | Yes | - | - | Yes | 6' | Straight |
| 1583H6B1BKAM | 15 Amps | 6 | Yes | - | - | Yes | 15' | Straight |
| 1583T6A1BKAM | 15 Amps | 6 | - | - | Yes | Yes | 6' | Straight |
| 1583T6B1BKAM | 15 Amps | 6 | - | - | Yes | Yes | 15' | Straight |
| 1589H6C1BKRRAM | 20 Amps | 6 | - | Yes | - | Yes | 6' | Locking Plug |
| 1589H6F1BKRRAM | 20 Amps | 6 | - | Yes | - | Yes | 6' | Straight |
| 1589T6C1BKRRAM | 20 Amps | 6 | - | - | Yes | Yes | 6' | Locking Plug |
| 1589T6F1BKRRAM | 20 Amps | 6 | - | - | Yes | Yes | 6' | Straight |

15 Amp - Vertical Rack Mount Strips

1585, 1586, 1587 & 1588 "H" Series

Key Features

- 1 5/8" x 1 3/8" aluminum profiles with hardware included for mounting to rack cabinet Amhal Struts or open relay racks.
- Most are natural aluminum finish - some models (as noted in tables below) are available in black powder paint finish.
- Receptacles are 1" square and are equally spaced over the length of the power strip (see tables below for spacing)
- With lighted on/off switch (or pilot light - see tables below) and 15 Amp. circuit breaker.
- Heavy 14 gauge wire cord - 14/3 SJT or SJTW for extreme temperature ranges and integral molded plug.
- Plug types available are NEMA 5-15P straight blade or NEMA L5-15P locking plug (see table below).
- For additional hardware kit, order part number 1585CLIP.
- These strips are also handy for work benches.
- Rated 15 amps, 120 volt.
- CSA certified, Standards C22.2 (No. 21-95 and No. 42-99)
- UL listed, Standard UL1363
- Outlet strips can NOT be used between the front & rear panel rails of rack cabinets as they (and the equipment plugs) will interfere with mounted equipment and mounted accessories.
- To properly use on rack cabinets, allow sufficient depth BEHIND the rear panel rails for vertically mounting to the amhal struts.
- Surge Protected models also available - please see the 1585, 1586, 1587 & 1588 "S" models on **page 28**



Rack Mount Outlet Strips

With On/Off Switch

| Part No. | Outlets | Center to Center | Cord Length | Color | Plug Type | Strip Length | Part No. | Outlets | Center to Center | Cord Length | Color | Plug Type | Strip Length |
|------------|---------|------------------|-------------|---------|--------------|--------------|-------------|---------|------------------|-------------|---------|--------------|--------------|
| 15851H6A1 | 6 | 1.63" | 6' | Natural | Straight | 18" | 1585H16C1 | 16 | 2.25" | 6' | Natural | Locking Plug | 48" |
| 15851H6B1 | 6 | 1.63" | 15' | Natural | Straight | 18" | 1585H16D1 | 16 | 2.25" | 15' | Natural | Locking Plug | 48" |
| 15851H6C1 | 6 | 1.63" | 6' | Natural | Locking Plug | 18" | 1586H10A1 | 10 | 5.00" | 6' | Natural | Straight | 60" |
| 15851H6D1 | 6 | 1.63" | 15' | Natural | Locking Plug | 18" | 1586H10B1 | 10 | 5.00" | 15' | Natural | Straight | 60" |
| 15852H6A1 | 6 | 1.75" | 6' | Natural | Straight | 24" | 1586H10C1 | 10 | 5.00" | 6' | Natural | Locking Plug | 60" |
| 15852H6B1 | 6 | 1.75" | 15' | Natural | Straight | 24" | 1586H10D1 | 10 | 5.00" | 15' | Natural | Locking Plug | 60" |
| 15852H6C1 | 6 | 1.75" | 6' | Natural | Locking Plug | 24" | 1586H12A1 | 12 | 4.75" | 6' | Natural | Straight | 60" |
| 15852H6D1 | 6 | 1.75" | 15' | Natural | Locking Plug | 24" | 1586H12A1BK | 12 | 4.75" | 6' | Black | Straight | 60" |
| 15852H8A1 | 8 | 1.75" | 6' | Natural | Straight | 24" | 1586H12B1 | 12 | 4.75" | 15' | Natural | Straight | 60" |
| 15852H8B1 | 8 | 1.75" | 15' | Natural | Straight | 24" | 1586H12B1BK | 12 | 4.75" | 15' | Black | Straight | 60" |
| 15852H8C1 | 8 | 1.75" | 6' | Natural | Locking Plug | 24" | 1586H12C1 | 12 | 4.75" | 6' | Natural | Locking Plug | 60" |
| 15852H8D1 | 8 | 1.75" | 15' | Natural | Locking Plug | 24" | 1586H12D1 | 12 | 4.75" | 15' | Natural | Locking Plug | 60" |
| 15853H6A1 | 6 | 5.00" | 6' | Natural | Straight | 36" | 1587H10A1 | 10 | 5.00" | 6' | Natural | Straight | 70" |
| 15853H6B1 | 6 | 5.00" | 15' | Natural | Straight | 36" | 1587H10A1BK | 10 | 5.00" | 6' | Black | Straight | 70" |
| 15853H6C1 | 6 | 5.00" | 6' | Natural | Locking Plug | 36" | 1587H10B1 | 10 | 5.00" | 15' | Natural | Straight | 70" |
| 15853H6D1 | 6 | 5.00" | 15' | Natural | Locking Plug | 36" | 1587H10B1BK | 10 | 5.00" | 15' | Black | Straight | 70" |
| 15854H7A1 | 7 | 5.00" | 6' | Natural | Straight | 42" | 1587H10C1 | 10 | 5.00" | 6' | Natural | Locking Plug | 70" |
| 15854H7B1 | 7 | 5.00" | 15' | Natural | Straight | 42" | 1587H10D1 | 10 | 5.00" | 15' | Natural | Locking Plug | 70" |
| 15854H7C1 | 7 | 5.00" | 6' | Natural | Locking Plug | 42" | 1587H11A1 | 11 | 5.00" | 6' | Natural | Straight | 70" |
| 15854H7D1 | 7 | 5.00" | 15' | Natural | Locking Plug | 42" | 1587H11B1 | 11 | 5.00" | 15' | Natural | Straight | 70" |
| 1585H8A1 | 8 | 5.00" | 6' | Natural | Straight | 48" | 1587H11C1 | 11 | 5.00" | 6' | Natural | Locking Plug | 70" |
| 1585H8A1BK | 8 | 5.00" | 6' | Black | Straight | 48" | 1587H11D1 | 11 | 5.00" | 15' | Natural | Locking Plug | 70" |
| 1585H8B1 | 8 | 5.00" | 15' | Natural | Straight | 48" | 1587H12A1 | 12 | 5.00" | 6' | Natural | Straight | 70" |
| 1585H8B1BK | 8 | 5.00" | 15' | Black | Straight | 48" | 1587H12B1 | 12 | 5.00" | 15' | Natural | Straight | 70" |
| 1585H8C1 | 8 | 5.00" | 6' | Natural | Locking Plug | 48" | 1587H12C1 | 12 | 5.00" | 6' | Natural | Locking Plug | 70" |
| 1585H8D1 | 8 | 5.00" | 15' | Natural | Locking Plug | 48" | 1587H12D1 | 12 | 5.00" | 15' | Natural | Locking Plug | 70" |
| 1585H10A1 | 10 | 3.50" | 6' | Natural | Straight | 48" | 1587H19A1 | 19 | 3.00" | 6' | Natural | Straight | 70" |
| 1585H10B1 | 10 | 3.50" | 15' | Natural | Straight | 48" | 1587H19B1 | 19 | 3.00" | 15' | Natural | Straight | 70" |
| 1585H10C1 | 10 | 3.50" | 6' | Natural | Locking Plug | 48" | 1587H19C1 | 19 | 3.00" | 6' | Natural | Locking Plug | 70" |
| 1585H10D1 | 10 | 3.50" | 15' | Natural | Locking Plug | 48" | 1587H19D1 | 19 | 3.00" | 15' | Natural | Locking Plug | 70" |
| 1585H11A1 | 11 | 3.50" | 6' | Natural | Straight | 48" | 1587H24A1 | 24 | 2.50" | 6' | Natural | Straight | 70" |
| 1585H11B1 | 11 | 3.50" | 15' | Natural | Straight | 48" | 1587H24B1 | 24 | 2.50" | 15' | Natural | Straight | 70" |
| 1585H11C1 | 11 | 3.50" | 6' | Natural | Locking Plug | 48" | 1587H24C1 | 24 | 2.50" | 6' | Natural | Locking Plug | 70" |
| 1585H11D1 | 11 | 3.50" | 15' | Natural | Locking Plug | 48" | 1587H24D1 | 24 | 2.50" | 15' | Natural | Locking Plug | 70" |
| 1585H15A1 | 15 | 2.50" | 6' | Natural | Straight | 48" | 1588H12A1 | 12 | 5.00" | 6' | Natural | Straight | 77" |
| 1585H15B1 | 15 | 2.50" | 15' | Natural | Straight | 48" | 1588H12A1BK | 12 | 5.00" | 6' | Black | Straight | 77" |
| 1585H15C1 | 15 | 2.50" | 6' | Natural | Locking Plug | 48" | 1588H12B1 | 12 | 5.00" | 15' | Natural | Straight | 77" |
| 1585H15D1 | 15 | 2.50" | 15' | Natural | Locking Plug | 48" | 1588H12B1BK | 12 | 5.00" | 15' | Black | Straight | 77" |
| 1585H16A1 | 16 | 2.25" | 6' | Natural | Straight | 48" | 1588H12C1 | 12 | 5.00" | 6' | Natural | Locking Plug | 77" |
| 1585H16B1 | 16 | 2.25" | 15' | Natural | Straight | 48" | 1588H12D1 | 12 | 5.00" | 15' | Natural | Locking Plug | 77" |

Also Available (by special order) - change to 90 degree receptacles on any models shown above.

15 Amp - Vertical Rack Mount Strips

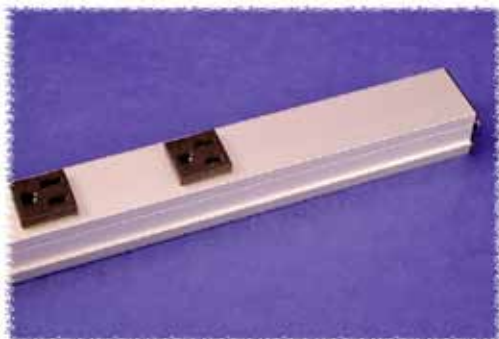
1585, 1586, 1587 & 1588 "T" Series

With Pilot Light (No Switch)

| Part No. | Outlets | Center to Center | Cord Length | Color | Plug Type | Strip Length | Part No. | Outlets | Center to Center | Cord Length | Color | Plug Type | Strip Length |
|------------|---------|------------------|-------------|---------|--------------|--------------|-------------|---------|------------------|-------------|---------|--------------|--------------|
| 15851T6A1 | 6 | 1.63" | 6' | Natural | Straight | 18" | 1585T16D1 | 16 | 2.25" | 15' | Natural | Locking Plug | 48" |
| 15851T6B1 | 6 | 1.63" | 15' | Natural | Straight | 18" | 1586T10A1 | 10 | 5.00" | 6' | Natural | Straight | 60" |
| 15851T6C1 | 6 | 1.63" | 6' | Natural | Locking Plug | 18" | 1586T10B1 | 10 | 5.00" | 15' | Natural | Straight | 60" |
| 15851T6D1 | 6 | 1.63" | 15' | Natural | Locking Plug | 18" | 1586T10C1 | 10 | 5.00" | 6' | Natural | Locking Plug | 60" |
| 15852T6A1 | 6 | 1.75" | 6' | Natural | Straight | 24" | 1586T10D1 | 10 | 5.00" | 15' | Natural | Locking Plug | 60" |
| 15852T6B1 | 6 | 1.75" | 15' | Natural | Straight | 24" | 1586T12A1 | 12 | 4.75" | 6' | Natural | Straight | 60" |
| 15852T6C1 | 6 | 1.75" | 6' | Natural | Locking Plug | 24" | 1586T12A1BK | 12 | 4.75" | 6' | Black | Straight | 60" |
| 15852T6D1 | 6 | 1.75" | 15' | Natural | Locking Plug | 24" | 1586T12B1 | 12 | 4.75" | 15' | Natural | Straight | 60" |
| 15852T8A1 | 8 | 1.75" | 6' | Natural | Straight | 24" | 1586T12B1BK | 12 | 4.75" | 15' | Black | Straight | 60" |
| 15852T8B1 | 8 | 1.75" | 15' | Natural | Straight | 24" | 1586T12C1 | 12 | 4.75" | 6' | Natural | Locking Plug | 60" |
| 15852T8C1 | 8 | 1.75" | 6' | Natural | Locking Plug | 24" | 1586T12D1 | 12 | 4.75" | 15' | Natural | Locking Plug | 60" |
| 15852T8D1 | 8 | 1.75" | 15' | Natural | Locking Plug | 24" | 1587T10A1 | 10 | 5.00" | 6' | Natural | Straight | 70" |
| 15853T6A1 | 6 | 5.00" | 6' | Natural | Straight | 36" | 1587T10A1BK | 10 | 5.00" | 6' | Black | Straight | 70" |
| 15853T6B1 | 6 | 5.00" | 15' | Natural | Straight | 36" | 1587T10B1 | 10 | 5.00" | 15' | Natural | Straight | 70" |
| 15853T6C1 | 6 | 5.00" | 6' | Natural | Locking Plug | 36" | 1587T10B1BK | 10 | 5.00" | 15' | Black | Straight | 70" |
| 15853T6D1 | 6 | 5.00" | 15' | Natural | Locking Plug | 36" | 1587T10C1 | 10 | 5.00" | 6' | Natural | Locking Plug | 70" |
| 15854T7A1 | 7 | 5.00" | 6' | Natural | Straight | 42" | 1587T10D1 | 10 | 5.00" | 15' | Natural | Locking Plug | 70" |
| 15854T7B1 | 7 | 5.00" | 15' | Natural | Straight | 42" | 1587T11A1 | 11 | 5.00" | 6' | Natural | Straight | 70" |
| 15854T7C1 | 7 | 5.00" | 6' | Natural | Locking Plug | 42" | 1587T11B1 | 11 | 5.00" | 15' | Natural | Straight | 70" |
| 15854T7D1 | 7 | 5.00" | 15' | Natural | Locking Plug | 42" | 1587T11C1 | 11 | 5.00" | 6' | Natural | Locking Plug | 70" |
| 1585T8A1 | 8 | 5.00" | 6' | Natural | Straight | 48" | 1587T11D1 | 11 | 5.00" | 15' | Natural | Locking Plug | 70" |
| 1585T8A1BK | 8 | 5.00" | 6' | Black | Straight | 48" | 1587T12A1 | 12 | 5.00" | 6' | Natural | Straight | 70" |
| 1585T8B1 | 8 | 5.00" | 15' | Natural | Straight | 48" | 1587T12B1 | 12 | 5.00" | 15' | Natural | Straight | 70" |
| 1585T8B1BK | 8 | 5.00" | 15' | Black | Straight | 48" | 1587T12C1 | 12 | 5.00" | 6' | Natural | Locking Plug | 70" |
| 1585T8C1 | 8 | 5.00" | 6' | Natural | Locking Plug | 48" | 1587T12D1 | 12 | 5.00" | 15' | Natural | Locking Plug | 70" |
| 1585T8D1 | 8 | 5.00" | 15' | Natural | Locking Plug | 48" | 1587T19A1 | 19 | 3.00" | 6' | Natural | Straight | 70" |
| 1585T10A1 | 10 | 3.50" | 6' | Natural | Straight | 48" | 1587T19B1 | 19 | 3.00" | 15' | Natural | Straight | 70" |
| 1585T10B1 | 10 | 3.50" | 15' | Natural | Straight | 48" | 1587T19C1 | 19 | 3.00" | 6' | Natural | Locking Plug | 70" |
| 1585T10C1 | 10 | 3.50" | 6' | Natural | Locking Plug | 48" | 1587T19D1 | 19 | 3.00" | 15' | Natural | Locking Plug | 70" |
| 1585T10D1 | 10 | 3.50" | 15' | Natural | Locking Plug | 48" | 1587T24A1 | 24 | 2.50" | 6' | Natural | Straight | 70" |
| 1585T11A1 | 11 | 3.50" | 6' | Natural | Straight | 48" | 1587T24B1 | 24 | 2.50" | 15' | Natural | Straight | 70" |
| 1585T11B1 | 11 | 3.50" | 15' | Natural | Straight | 48" | 1587T24C1 | 24 | 2.50" | 6' | Natural | Locking Plug | 70" |
| 1585T11C1 | 11 | 3.50" | 6' | Natural | Locking Plug | 48" | 1587T24D1 | 24 | 2.50" | 15' | Natural | Locking Plug | 70" |
| 1585T11D1 | 11 | 3.50" | 15' | Natural | Locking Plug | 48" | 1588T12A1 | 12 | 5.00" | 6' | Natural | Straight | 77" |
| 1585T15A1 | 15 | 2.50" | 6' | Natural | Straight | 48" | 1588T12A1BK | 12 | 5.00" | 6' | Black | Straight | 77" |
| 1585T15B1 | 15 | 2.50" | 15' | Natural | Straight | 48" | 1588T12B1 | 12 | 5.00" | 15' | Natural | Straight | 77" |
| 1585T15C1 | 15 | 2.50" | 6' | Natural | Locking Plug | 48" | 1588T12B1BK | 12 | 5.00" | 15' | Black | Straight | 77" |
| 1585T15D1 | 15 | 2.50" | 15' | Natural | Locking Plug | 48" | 1588T12C1 | 12 | 5.00" | 6' | Natural | Locking Plug | 77" |
| 1585T16A1 | 16 | 2.25" | 6' | Natural | Straight | 48" | 1588T12D1 | 12 | 5.00" | 15' | Natural | Locking Plug | 77" |
| 1585T16B1 | 16 | 2.25" | 15' | Natural | Straight | 48" | | | | | | | |
| 1585T16C1 | 16 | 2.25" | 6' | Natural | Locking Plug | 48" | | | | | | | |

Also Available (by special order) - change to 90 degree receptacles on any models shown above.

Color Options



Natural Aluminum Finish



Black Powder Paint Finish

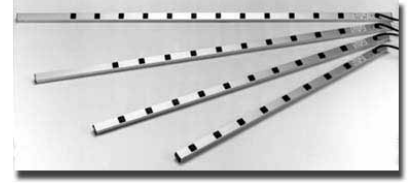
Rack Mount Outlet Strips

20 Amp - Vertical Rack Mount Strips

1589 Series

Key Features

- 1 5/8" x 1 3/8" aluminum profiles with hardware included for mounting to rack Amhal Struts or open relay racks.
- Receptacles are 1" square and are equally spaced over the length of the power strip (see tables below for spacing).
- With on/off switch (or pilot light - see tables below) 20 Amp receptacles and 20 Amp. circuit breaker.
- Heavy 12 gauge wire cord - 12/3 SJT or SJTW for extreme temperature ranges and integral molded plug.
- Heavy-duty black receptacles rated for 20A, 125VAC service (NEMA 5-20R, Single T-Slot).
- Plug types available are NEMA 5-20P straight blade or NEMA L5-20P locking plug
- For additional hardware kit, order part number 1585CLIP.
- These strips are also handy for work benches.
- Rated 20 amps, 120 volt.
- CSA certified, Standards C22.2 (No. 21-95 and No. 42-99)
- UL listed, Standard UL1363
- NOTE #1: Outlet strips can NOT be used between the front & rear panel rails of rack cabinets as they (and the equipment plugs) will interfere with mounted equipment and mounted accessories.
- NOTE #2: To properly use on rack cabinets, allow sufficient depth BEHIND the rear panel rails for vertically mounting to the amhul struts.




Rack Mount Outlet Strips

With Pilot Light (No Switch)

| Part No. | Outlets | Center to Center | On/Off Switch | Cord Length | Plug Type | Strip Length |
|-------------|---------|------------------|---------------|-------------|--------------|--------------|
| 1589T18C1 | 6 | 1.63" | No | 6' | Locking Plug | 18" |
| 1589T18D1 | 6 | 1.63" | No | 15' | Locking Plug | 18" |
| 1589T18F1 | 6 | 1.63" | No | 6' | Straight | 18" |
| 1589T18G1 | 6 | 1.63" | No | 15' | Straight | 18" |
| 1589T24C1 | 8 | 1.75" | No | 6' | Locking Plug | 24" |
| 1589T24D1 | 8 | 1.75" | No | 15' | Locking Plug | 24" |
| 1589T24F1 | 8 | 1.75" | No | 6' | Straight | 24" |
| 1589T24G1 | 8 | 1.75" | No | 15' | Straight | 24" |
| 1589T36C1 | 6 | 5.00" | No | 6' | Locking Plug | 36" |
| 1589T36D1 | 6 | 5.00" | No | 15' | Locking Plug | 36" |
| 1589T36F1 | 6 | 5.00" | No | 6' | Straight | 36" |
| 1589T36G1 | 6 | 5.00" | No | 15' | Straight | 36" |
| 1589T42C1 | 7 | 5.00" | No | 6' | Locking Plug | 42" |
| 1589T42D1 | 7 | 5.00" | No | 15' | Locking Plug | 42" |
| 1589T42F1 | 7 | 5.00" | No | 6' | Straight | 42" |
| 1589T42G1 | 7 | 5.00" | No | 15' | Straight | 42" |
| 1589T48C1 | 8 | 5.00" | No | 6' | Locking Plug | 48" |
| 1589T48D1 | 8 | 5.00" | No | 15' | Locking Plug | 48" |
| 1589T48F1 | 8 | 5.00" | No | 6' | Straight | 48" |
| 1589T48G1 | 8 | 5.00" | No | 15' | Straight | 48" |
| 1589T48C116 | 16 | 2.25" | No | 6' | Locking Plug | 48" |
| 1589T48D116 | 16 | 2.25" | No | 15' | Locking Plug | 48" |
| 1589T48F116 | 16 | 2.25" | No | 6' | Straight | 48" |
| 1589T48G116 | 16 | 2.25" | No | 15' | Straight | 48" |
| 1589T60C1 | 10 | 5.00" | No | 6' | Locking Plug | 60" |
| 1589T60D1 | 10 | 5.00" | No | 15' | Locking Plug | 60" |
| 1589T60F1 | 10 | 5.00" | No | 6' | Straight | 60" |
| 1589T60G1 | 10 | 5.00" | No | 15' | Straight | 60" |
| 1589T70C1 | 10 | 5.00" | No | 6' | Locking Plug | 70" |
| 1589T70D1 | 10 | 5.00" | No | 15' | Locking Plug | 70" |
| 1589T70F1 | 10 | 5.00" | No | 6' | Straight | 70" |
| 1589T70G1 | 10 | 5.00" | No | 15' | Straight | 70" |
| 1589T70C124 | 24 | 2.50" | No | 6' | Locking Plug | 70" |
| 1589T70D124 | 24 | 2.50" | No | 15' | Locking Plug | 70" |
| 1589T70F124 | 24 | 2.50" | No | 6' | Straight | 70" |
| 1589T70G124 | 24 | 2.50" | No | 15' | Straight | 70" |
| 1589T77C1 | 12 | 5.00" | No | 6' | Locking Plug | 77" |
| 1589T77D1 | 12 | 5.00" | No | 15' | Locking Plug | 77" |
| 1589T77F1 | 12 | 5.00" | No | 6' | Straight | 77" |
| 1589T77G1 | 12 | 5.00" | No | 15' | Straight | 77" |

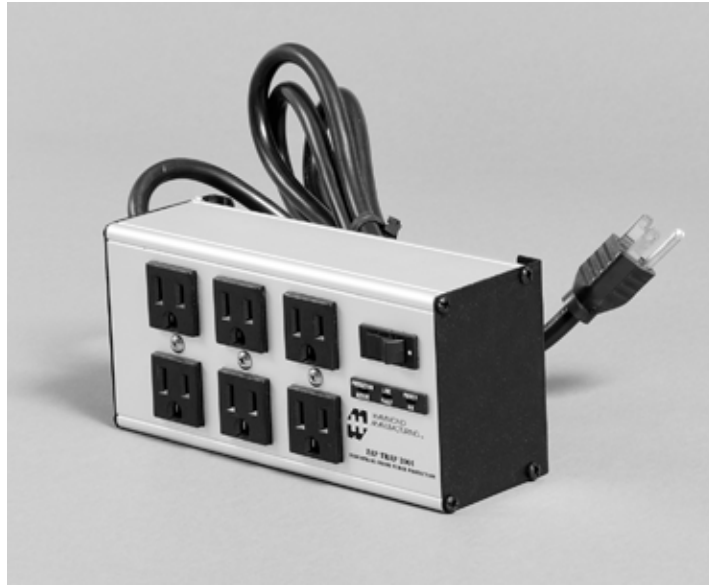
With On/Off Switch

| Part No. | Outlets | Center to Center | On/Off Switch | Cord Length | Plug Type | Strip Length |
|-------------|---------|------------------|---------------|-------------|--------------|--------------|
| 1589H18C1 | 6 | 1.63" | Yes | 6' | Locking Plug | 18" |
| 1589H18D1 | 6 | 1.63" | Yes | 15' | Locking Plug | 18" |
| 1589H18F1 | 6 | 1.63" | Yes | 6' | Straight | 18" |
| 1589H18G1 | 6 | 1.63" | Yes | 15' | Straight | 18" |
| 1589H24C1 | 8 | 1.75" | Yes | 6' | Locking Plug | 24" |
| 1589H24D1 | 8 | 1.75" | Yes | 15' | Locking Plug | 24" |
| 1589H24F1 | 8 | 1.75" | Yes | 6' | Straight | 24" |
| 1589H24G1 | 8 | 1.75" | Yes | 15' | Straight | 24" |
| 1589H36C1 | 6 | 5.00" | Yes | 6' | Locking Plug | 36" |
| 1589H36D1 | 6 | 5.00" | Yes | 15' | Locking Plug | 36" |
| 1589H36F1 | 6 | 5.00" | Yes | 6' | Straight | 36" |
| 1589H36G1 | 6 | 5.00" | Yes | 15' | Straight | 36" |
| 1589H42C1 | 7 | 5.00" | Yes | 6' | Locking Plug | 42" |
| 1589H42D1 | 7 | 5.00" | Yes | 15' | Locking Plug | 42" |
| 1589H42F1 | 7 | 5.00" | Yes | 6' | Straight | 42" |
| 1589H42G1 | 7 | 5.00" | Yes | 15' | Straight | 42" |
| 1589H48C1 | 8 | 5.00" | Yes | 6' | Locking Plug | 48" |
| 1589H48D1 | 8 | 5.00" | Yes | 15' | Locking Plug | 48" |
| 1589H48F1 | 8 | 5.00" | Yes | 6' | Straight | 48" |
| 1589H48G1 | 8 | 5.00" | Yes | 15' | Straight | 48" |
| 1589H48C116 | 16 | 2.25" | Yes | 6' | Locking Plug | 48" |
| 1589H48D116 | 16 | 2.25" | Yes | 15' | Locking Plug | 48" |
| 1589H48F116 | 16 | 2.25" | Yes | 6' | Straight | 48" |
| 1589H48G116 | 16 | 2.25" | Yes | 15' | Straight | 48" |
| 1589H60C1 | 10 | 5.00" | Yes | 6' | Locking Plug | 60" |
| 1589H60D1 | 10 | 5.00" | Yes | 15' | Locking Plug | 60" |
| 1589H60F1 | 10 | 5.00" | Yes | 6' | Straight | 60" |
| 1589H60G1 | 10 | 5.00" | Yes | 15' | Straight | 60" |
| 1589H70C1 | 10 | 5.00" | Yes | 6' | Locking Plug | 70" |
| 1589H70D1 | 10 | 5.00" | Yes | 15' | Locking Plug | 70" |
| 1589H70F1 | 10 | 5.00" | Yes | 6' | Straight | 70" |
| 1589H70G1 | 10 | 5.00" | Yes | 15' | Straight | 70" |
| 1589H70C124 | 24 | 2.50" | Yes | 6' | Locking Plug | 70" |
| 1589H70D124 | 24 | 2.50" | Yes | 15' | Locking Plug | 70" |
| 1589H70F124 | 24 | 2.50" | Yes | 6' | Straight | 70" |
| 1589H70G124 | 24 | 2.50" | Yes | 15' | Straight | 70" |
| 1589H77C1 | 12 | 5.00" | Yes | 6' | Locking Plug | 77" |
| 1589H77D1 | 12 | 5.00" | Yes | 15' | Locking Plug | 77" |
| 1589H77F1 | 12 | 5.00" | Yes | 6' | Straight | 77" |
| 1589H77G1 | 12 | 5.00" | Yes | 15' | Straight | 77" |



Outlet Strips with Surge Protection

Outlet Strips with Surge Protection



Key Features

- Five stages of protection.
- Protection in all three AC modes and diagnostic monitoring with 3 LEDs.
- Red LED fault indicator identifying power outlet problems of open or poor grounding, line neutral reversal, excessive ground to neutral.
- Available with or without (see tables below) long-life superior telco-protection circuit. Single line circuit featuring delta protection with three long life semiconductor suppressors. Components FCC part 68 rated to 175 amps clamping at 145V, crowbar at 180V and fused to isolate sustained faults.
- Heavy 14 gauge 6' wire cord.
- Mounting feet (with keyhole slots) allow temporary work station mounting if desired.
- 14/3 SJT or SJTW cord for extreme temperature ranges and integral molded plug.
- Rugged aluminum housing, 15 amp resettable breaker, available in 4, 6 or 8 AC receptacle models, on/off switch.
- Self-healing gas discharge tube protection rated at a minimum of 2,000 joules! Crowbar primary protection to 30,000 amps for sustained faults.
- 24,000 amps maximum transient current.
- Response time of less than 1 nanosecond.
- Voltage suppression at the outlet guards against transients from equipment on the power bar.
- CSA certified, Standards C22.2 (No. 21-95, No. 42-99 and No. 8-M1986)

Outlet Strips with Surge Protection

| Part No. | Outlets | EMI/RFI Min. Noise Attenuation | Diagnostics | Telco Protection |
|----------|---------|--------------------------------------|-------------|------------------|
| ZT1001-4 | 4 | 80 db | Yes | No |
| ZT1001-6 | 6 | 80 db | Yes | No |
| ZT1001-8 | 8 | 80 db | Yes | No |
| ZT2001-4 | 4 | 80 db | Yes | Yes |
| ZT2001 | 6 | 80 db | Yes | Yes |
| ZT2001-8 | 8 | 80 db | Yes | Yes |

P0802 (3' Cord) & P08026 (6' cord)



- One MOV between line and neutral.
- Molded with UL VO grade flame retardant plastic.
- 15 Amp circuit breaker and on/off switch.
- Features a surge status indicator (if light is on, the unit is protecting, if light is off, a surge has occurred and the unit should be replaced).



P0803 (3' Cord) & P08036 (6' cord)



- MOV protection in all 3 AC modes and EMI/RFI line filter.
- Noise attenuation: 10-35 dB @ 500Khz. - 30Mhz.
- Molded with UL VO grade flame retardant plastic.
- 15 Amp circuit breaker and lighted on/off switch.
- Features a surge status indicator (if light is on, the unit is protecting, if light is off, a surge has occurred and the unit should be replaced).

| | Part No. | Outlets | Cord Length | Surge | Max. Spike Energy (Joules) | Status Indicator | EMI/RFI | Protection | |
|---------------|----------|---------|-------------|-------|----------------------------|------------------|---------|------------|---------|
| | | | | | | | | Telco | Coaxial |
| Basic | P0802 | 6 | 3' | Yes | 50 | Yes | - | - | - |
| | P08026 | 6 | 6' | Yes | 50 | Yes | - | - | - |
| Home & Office | P0803 | 6 | 4' | Yes | 175 | Yes | Yes | - | - |
| | P08036 | 6 | 6' | Yes | 175 | Yes | Yes | - | - |

- 1) Maximum spike voltage: 6,000 volts
- 2) Maximum spike current: 4,500 amps
- 3) Maximum clamping voltage: 340 volts
- 4) Clamping response time: less than 1 nanosecond
- 5) UL 1449: 500V

Outlet Strips with Surge Protection

Plastic - Surge Check Plus

P0900 Series

P0902



- Basic surge protection (70 joules).
- 9 Outlets - 3 with extra spacing for adaptors and transformers.
- Lighted on/off switch & 15 Amp circuit breaker.

SURGE CHECK *Plus*

P0903



- Full surge protection (900 joules) with warning buzzer.
- 8 Outlets - 2 with extra spacing for adaptors and transformers.
- Modem/Fax/phone protection - 1 line in, 2 lines out.
- Lighted on/off switch & 15 Amp circuit breaker.
- Bonus 6' telephone cord included!

P0905



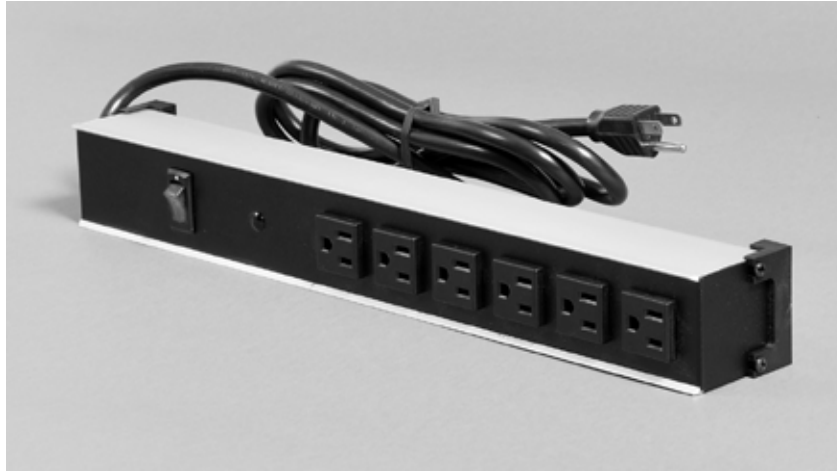
- Full surge protection (900 joules) with warning buzzer.
- 8 Outlets - 2 with extra spacing for adaptors and transformers.
- Modem/Fax/phone protection - 1 line in, 2 lines out.
- Satellite/TV/VCR protection (gold plated coax connectors).
- Lighted on/off switch & 15 Amp circuit breaker.
- Bonus 6' telephone and 6' coax cord included!

Outlet Strips with Surge Protection

| | P0902 | P0903 | P0905 |
|---------------------------|----------------|--|--|
| Number of Outlets | 9 | 8 | 8 |
| Line Cord Length | 6' | 6' | 6' |
| Alarm Buzzer | No | Yes | Yes |
| Internet/Phone Protection | No | Yes | Yes |
| Satellite/VCR Protection | No | No | Yes |
| Surge Indicator Light | Yes | Yes | Yes |
| Ground Indicator Light | No | Yes | Yes |
| Polarity Indicator Light | No | Yes | Yes |
| Ground Screw | No | No | Yes |
| Electrical Rating | 125V, 15A | 125V, 15A | 125V, 15A |
| Maximum Surge Dissipation | 70 Joules | 900 Joules | 900 Joules |
| Maximum Surge Voltage | 6,000V | 6,000V | 6,000V |
| Maximum Spike Current | 4,500A | 10,000A | 10,000A |
| Clamping Voltage | 400V | 400V | 400V |
| Clamping Response Time | < 1 nanosecond | <1 nanosecond | <1 nanosecond |
| Noise Attenuation | None | 10dB to 40dB @ 100 Khz. to 100 Mhz. | 10dB to 40dB @ 100 Khz. to 100 Mhz. |
| Temperature Range | -40 C to +80 C | -40 C to +80 C | -40 C to +80 C |
| UL Listing | UL 1449 | UL 1449 | UL 1449 |

15 Amp Industrial Grade with Surge Protection

1584 "S" Series



Key Features

- Same features as 1584 except with our surge module included:
 - 12,000 Amp rated MOV's & filter capacitor provide surge suppression and EMI/RFI noise protection
 - Maximum 36,000 Amps transient current and 780 Joules
 - 400V UL 1449 rating
 - Protection in all 3 AC modes (L-N, L-G, N-G)
 - Voltage suppression at the outlet guards against transients from equipment on the powerbar
 - CSA certified, Standards C22.2 (No. 21-95, No. 24-99, and No. 8-M1986)
 - UL listed, Standards UL1363, UL1449, and UL1283

| Part No. | Outlets | On/Off Switch | Pilot Light | Plug Type | Cord Length | Outlet Orientation | Dimensions (LxWxH) | Electrical Rating | Shipping Weight |
|-------------|---------|---------------|-------------|-----------|-------------|--------------------|--------------------|-------------------|-----------------|
| 1584H6A1S | 6 | Yes | - | Straight | 6' | standard | 17 x 2 x 2 | 120VAC/15A | 2.0 lbs |
| 1584H6A1SRA | 6 | Yes | - | Straight | 6' | right angle | 17 x 2 x 2 | 120VAC/15A | 2.0 lbs |
| 1584H6B1S | 6 | Yes | - | Straight | 15' | standard | 17 x 2 x 2 | 120VAC/15A | 2.0 lbs |
| 1584H6B1SRA | 6 | Yes | - | Straight | 15' | right angle | 17 x 2 x 2 | 120VAC/15A | 2.0 lbs |
| 1584T6A1S | 6 | - | Yes | Straight | 6' | standard | 17 x 2 x 2 | 120VAC/15A | 2.0 lbs |
| 1584T6A1SRA | 6 | - | Yes | Straight | 6' | right angle | 17 x 2 x 2 | 120VAC/15A | 2.0 lbs |
| 1584T6B1S | 6 | - | Yes | Straight | 15' | standard | 17 x 2 x 2 | 120VAC/15A | 2.0 lbs |
| 1584T6B1SRA | 6 | - | Yes | Straight | 15' | right angle | 17 x 2 x 2 | 120VAC/15A | 2.0 lbs |

Outlet Strips with Surge Protection

15 Amp - Rack Panel Mount (1582 with Surge Protection)

1582 "S" Series



Key Features

- Same features as 1582 except with our surge module included.
- 12,000 Amp rated MOV's.
- Maximum 36,000 Amps transient current and 780 Joules.
- 400V UL1449 suppressed voltage rating.
- Protection in all 3 AC modes, L-N, N-G and L-G.
- Voltage suppression at the outlet guards against transients from equipment on the power bar.
- CSA certified, Standards C22.2 (No. 21-95, No. 42-99 and No. 8-M1986)
- UL recognized, Standards UL1363, UL1449 and UL1283

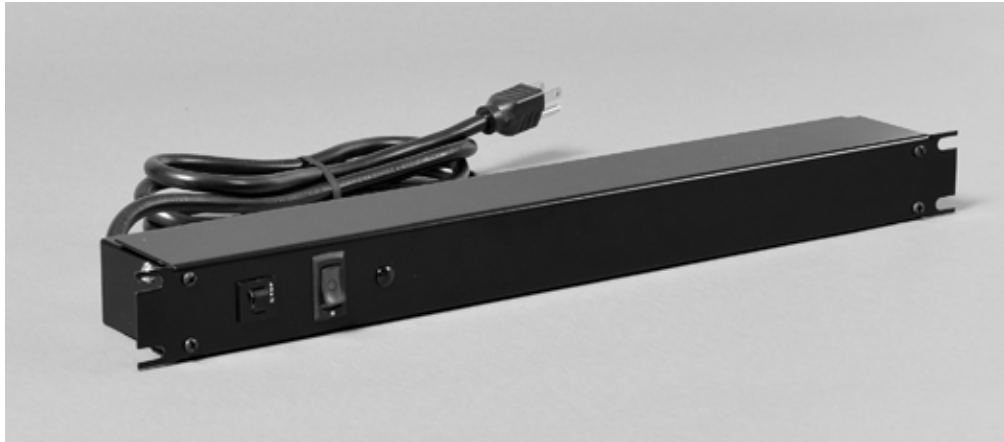
Outlet Strips with Surge Protection

| Part No. | Color | Outlets | On-Off Switch | Pilot Light | Cord Length | Plug Type |
|-------------|-------------|---------|---------------|-------------|-------------|--------------|
| 1582H6A1S | ASA 61 Grey | 6 | Yes | - | 6' | Straight |
| 1582H6B1S | ASA 61 Grey | 6 | Yes | - | 15' | Straight |
| 1582H6C1S | ASA 61 Grey | 6 | Yes | - | 6' | Locking Plug |
| 1582H6D1S | ASA 61 Grey | 6 | Yes | - | 15' | Locking Plug |
| 1582H6A1SBK | Black | 6 | Yes | - | 6' | Straight |
| 1582H6B1SBK | Black | 6 | Yes | - | 15' | Straight |
| 1582H6C1SBK | Black | 6 | Yes | - | 6' | Locking Plug |
| 1582H6D1SBK | Black | 6 | Yes | - | 15' | Locking Plug |



15 Amp - Rack Panel Mount (1583 with Surge Protection)

1583 "S" Series



Key Features

- Same features as 1583 except with our surge module included.
- 12,000 Amp rated MOV's.
- Maximum 36,000 Amps transient current and 780 Joules.
- 400V UL1449 suppressed voltage rating.
- Protection in all 3 AC modes, L-N, N-G and L-G.
- Voltage suppression at the outlet guards against transients from equipment on the power bar.
- CSA certified, Standards C22.2 (No. 21-95, No. 42-99 and No. 8-M1986)
- UL recognized, Standards UL1363, UL1449 and UL1283

| Part No. | Color | Outlets | On-Off Switch | Pilot Light | Cord Length | Plug Type |
|-------------|-------------|---------|---------------|-------------|-------------|--------------|
| 1583H6A1S | ASA 61 Grey | 6 | Yes | - | 6' | Straight |
| 1583H6B1S | ASA 61 Grey | 6 | Yes | - | 15' | Straight |
| 1583H6C1S | ASA 61 Grey | 6 | Yes | - | 6' | Locking Plug |
| 1583H6D1S | ASA 61 Grey | 6 | Yes | - | 15' | Locking Plug |
| 1583H6A1SBK | Black | 6 | Yes | - | 6' | Straight |
| 1583H6B1SBK | Black | 6 | Yes | - | 15' | Straight |
| 1583H6C1SBK | Black | 6 | Yes | - | 6' | Locking Plug |
| 1583H6D1SBK | Black | 6 | Yes | - | 15' | Locking Plug |



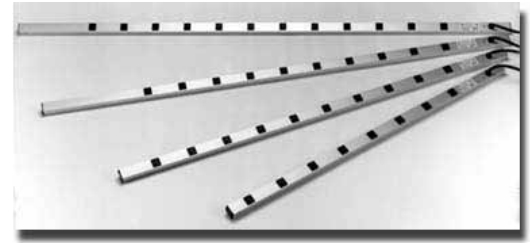
Outlet Strips with Surge Protection

15 Amp With Surge Protection - Vertical Rack Mount Strips

1585, 1587 & 1588 "S" Series

Key Features

- 1 5/8" x 1 3/8" aluminum profiles with hardware included for mounting to rack cabinet Amhal Struts or open relay racks.
- Receptacles are 1" square and are equally spaced over the length of the power strip (see tables below for spacing).
- Includes built in surge protection module
- With lighted on/off switch (or pilot light - see tables below) and 15 Amp. circuit breaker.
- Heavy 14 gauge wire cord - 14/3 SJT or SJTW for extreme temperature ranges and integral molded plug.
- Plug type available is a NEMA 5-15P straight blade (see picture below).
- For additional hardware kit, order part number 1585CLIP.
- These strips are also handy for work benches.
- Rated 15 amps, 120 volt.
- CSA certified, Standards C22.2 (No. 21-95, No. 42-99 and No. 8-M1986)
- UL listed, Standards UL1363, UL1449 and UL1283
- NOTE #1: Outlet strips can NOT be used between the front & rear panel rails of rack cabinets as they (and the equipment plugs) will interfere with mounted equipment and mounted accessories.
- NOTE #2: To properly use on rack cabinets, allow sufficient depth BEHIND the rear panel rails for vertically mounting to the amhal struts.



With On/Off Switch & Surge Module

| Part No. | Outlets | Center to Center | On-Off Switch | Cord Length | Plug Type | Strip Length |
|------------|---------|------------------|---------------|-------------|-----------|--------------|
| 1585H8A1S | 8 | 5.00" | Yes | 6' | Straight | 48" |
| 1585H8B1S | 8 | 5.00" | Yes | 15' | Straight | 48" |
| 1585H10A1S | 10 | 3.50" | Yes | 6' | Straight | 48" |
| 1585H10B1S | 10 | 3.50" | Yes | 15' | Straight | 48" |
| 1585H15A1S | 15 | 2.50" | Yes | 6' | Straight | 48" |
| 1585H15B1S | 15 | 2.50" | Yes | 15' | Straight | 48" |
| 1587H11A1S | 11 | 5.00" | Yes | 6' | Straight | 70" |
| 1587H11B1S | 11 | 5.00" | Yes | 15' | Straight | 70" |
| 1587H19A1S | 19 | 3.00" | Yes | 6' | Straight | 70" |
| 1587H19B1S | 19 | 3.00" | Yes | 15' | Straight | 70" |
| 1588H12A1S | 12 | 5.00" | Yes | 6' | Straight | 77" |
| 1588H12B1S | 12 | 5.00" | Yes | 15' | Straight | 77" |

With Pilot Light (No Switch) & Surge Module

| Part No. | Outlets | Center to Center | On-Off Switch | Cord Length | Plug Type | Strip Length |
|------------|---------|------------------|---------------|-------------|-----------|--------------|
| 1585T8A1S | 8 | 5.00" | No | 6' | Straight | 48" |
| 1585T8B1S | 8 | 5.00" | No | 15' | Straight | 48" |
| 1585T10A1S | 10 | 3.50" | No | 6' | Straight | 48" |
| 1585T10B1S | 10 | 3.50" | No | 15' | Straight | 48" |
| 1585T15A1S | 15 | 2.50" | No | 6' | Straight | 48" |
| 1585T15B1S | 15 | 2.50" | No | 15' | Straight | 48" |
| 1587T11A1S | 11 | 5.00" | No | 6' | Straight | 70" |
| 1587T11B1S | 11 | 5.00" | No | 15' | Straight | 70" |
| 1587T19A1S | 19 | 3.00" | No | 6' | Straight | 70" |
| 1587T19B1S | 19 | 3.00" | No | 15' | Straight | 70" |
| 1588T12A1S | 12 | 5.00" | No | 6' | Straight | 77" |
| 1588T12B1S | 12 | 5.00" | No | 15' | Straight | 77" |

Surge Specifications

- 12,000 Amp rated MOV's.
- Maximum 36,000 Amps transient current and 780 Joules.
- 400V UL1449 suppressed voltage rating.
- Protection in all 3 AC modes, L-N, N-G and L-G.
- Voltage suppression at the outlet guards against transients from equipment on the power bar.

Outlet Strips with Surge Protection



Line Transformers

Line Transformers

Line Transformer - Selection Guide

Steps to Proper Transformer Selection

1. What power is available (you need to know both voltage & frequency)?
2. Check the operating voltage of your equipment (is it single voltage or multiple?).
3. What line frequency will your equipment run on? Either 50, 60 or dual 50/60 Hz. (remember, a transformer can NOT change line frequency).
4. Use the chart below to determine your requirements:

| Power Available | | Your Equipment | | Transformer Type Required (You may also need plug adaptors) |
|-----------------|-----------|----------------|-----------|--|
| Voltage | Frequency | Voltage | Frequency | |
| 115 | 60 | 100 | 50/60 | Step Down |
| 115 | 50 | 115 | 50 | None Required - or - Straight Isolation |
| 115 | 50 | 115 | 60 | Will Not Work |
| 115 | 50 | 115/230 | 50/60 | None Required - or - Straight Isolation |
| 115 | 60 | 115 | 60 | None Required - or - Straight Isolation |
| 115 | 60 | 230 | 50 | Will Not Work |
| 115 | 60 | 230 | 60 | Step Up |
| 115 | 60 | 115/230 | 50/60 | None Required - or - Straight Isolation |
| 230 | 50 | 115 | 50 | Step Down |
| 230 | 50 | 115 | 60 | Will Not Work |
| 230 | 50 | 115/230 | 50/60 | None Required - or - Straight Isolation |
| 230 | 60 | 115 | 60 | Step Down |
| 230 | 60 | 230 | 50 | Will Not Work |
| 230 | 60 | 230 | 60 | None Required - or - Straight Isolation |
| 230 | 60 | 115/230 | 50/60 | None Required - or - Straight Isolation |

5. Determine if your equipment is Electronic or Electrical:
 - Electronic = containing IC chips, transistors or a circuit such as a radio, shavers, electric toothbrush, computer printers, camcorder battery rechargers etc...(if in doubt, check with the manufacturer or refer to your manual).
 - Electrical = Simple heating device, such as irons, hair dryers, electric blankets, curling irons, etc...
6. Use the chart below to locate correct series & voltage conversion in the catalog series that follow:

| Transformer Type (determined from chart above) | Your Equipment Type | |
|--|--|---------------------------------------|
| | Electronic | Electrical |
| Step Up | Use Isolation (series 298) | Could use "Auto" (series 170 or 170E) |
| Step Down | Use Isolation (series 172, 179 or 289) | Could use "Auto" (series 175) |
| Straight Isolation | Use Isolation (series 169 or 171) | - |

IMPORTANT NOTES

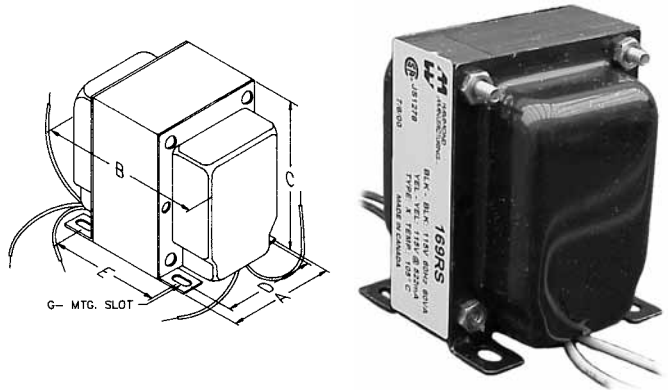
Isolation Transformers: Used for maximum safety, versatility (can be used on both electrical & electronic equipment) and isolation from the power source, used to step-up, step-down or for straight isolation. The disadvantage to using them is weight (about double the "Auto"), more expensive and larger size. This type of transformer is sometimes referred to as "double-wound"

"Auto" Transformers: are non-isolating units and should be used where only a voltage change is required. The advantages to using them are light weight (generally half that of an isolation unit), less expensive and smaller size. The disadvantage is no isolation from the power source. This type of transformer is sometimes referred to as a "converter".

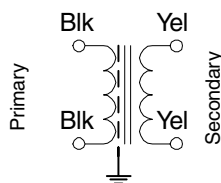
Adaptors: We strongly recommend that 3-prong "grounded" plugs be used with all of our products. They should be used only with our "grounded" adaptors. Adaptors do not affect voltages, they are a mechanical device only to match foreign "pin-outs" of receptacles and/or plugs.

LINE ISOLATION TRANSFORMERS (115V to 115V)

- Primary 115VAC, 60 Hz., Secondary 115VAC
- Electrostatic shield between primary & secondary
- Connection by flexible leads, 8" minimum length
- Perfect for circuit isolation or "Classic" bias power supply
- CSA certified (# LR3902)
- **Remember** - These units do NOT convert line frequency



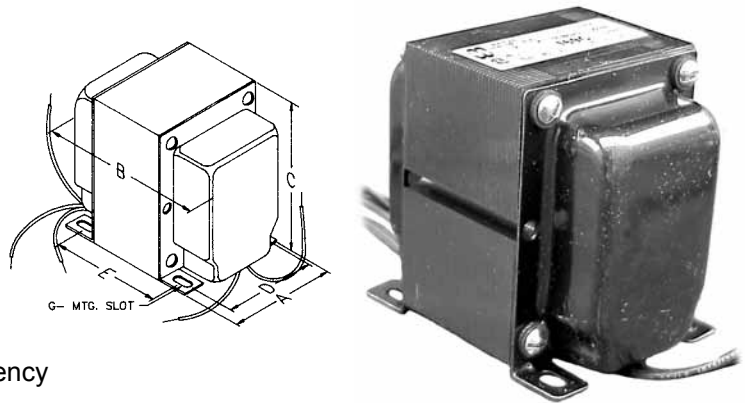
Transformer Schematic



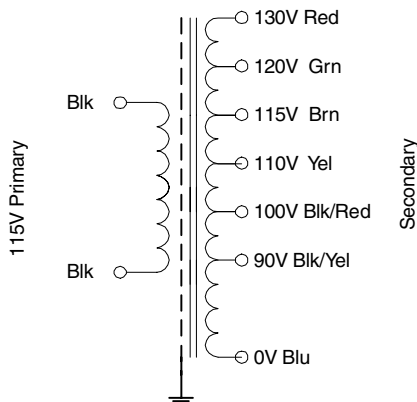
| Part No. | Capacity | | Dimensions (Inches) | | | | | Wt. Lbs. |
|----------|----------|-----------------|---------------------|------|------|------|------|----------|
| | VA | Sec. Current ma | A | B | C | D | E | |
| 169PS | 15 | 130 | 1.88 | 2.07 | 2.50 | 1.50 | 1.19 | 1.3 |
| 169QS | 40 | 260 | 2.19 | 2.50 | 2.63 | 1.75 | 1.44 | 2.5 |
| 169RS | 60 | 435 | 2.50 | 2.75 | 3.06 | 2.00 | 1.69 | 3.3 |
| 169SS | 90 | 650 | 2.50 | 3.25 | 3.06 | 2.00 | 2.19 | 4.5 |
| 169TS | 135 | 870 | 3.13 | 3.50 | 3.81 | 2.50 | 2.19 | 6.5 |
| 169VS | 175 | 1300 | 3.13 | 4.00 | 3.81 | 2.50 | 2.69 | 7 |
| 169WS | 250 | 1700 | 3.75 | 4.00 | 4.56 | 3.00 | 2.81 | 12 |

LINE ISOLATION - TAPPED TRANSFORMERS (115V to 90-130V)

- Primary 115VAC, 60 Hz.
- Secondary taps @ 90, 100, 110, 115, 120 & 130VAC
- Electrostatic shield between primary & secondary
- Connection by flexible leads, 8" minimum length
- Perfect for critical line voltage needs (ex. Japanese 100V equipment).
- CSA certified (# LR3902) - except 169J
- **Remember** - These units do NOT convert line frequency



Transformer Schematic



| Part No. | Capacity | | Dimensions (Inches) | | | | | Wt. Lbs. |
|----------|----------|------|---------------------|------|------|------|----|----------|
| | VA | A | B | C | D | E | | |
| 169C | 100 | 2.50 | 3.50 | 3.06 | 2.00 | 2.44 | 4 | |
| 169E | 250 | 3.75 | 4.00 | 4.56 | 3.00 | 2.81 | 7 | |
| 169G | 500 | 6.75 | 5.50 | 4.56 | 3.00 | 4.31 | 15 | |
| 169J | 750 | 4.38 | 6.13 | 5.25 | 3.50 | 4.50 | 22 | |



Straight Isolation

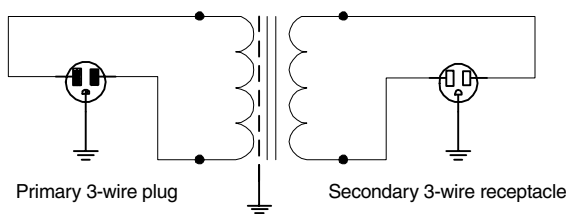
Plug In (171 Series)



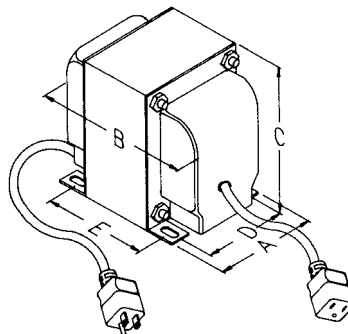
LINE ISOLATION PLUG & RECEPTACLE TRANSFORMERS (115V to 115V)

- Primary 115VAC, 50/60 Hz., Secondary 115VAC
- Provides circuit isolation.
- Electrostatic shield between primary & secondary.
- Hi-pot tested to 2 KV RMS.
- Circuit breaker in primary.
- Standard 3-wire, grounded plug & receptacle.
- Input (primary) connected to 5 foot long cord & standard North American plug (NEMA 5-15P).
- Output (secondary) connected to 1 foot long 3-wire, standard North American grounded receptacle (NEMA 5-15R).
- North American Mark of Safety - C UL & UL listed (File #E211544)
- **Remember** - These units do NOT convert line frequency

Line Transformers



| Part No. | Capacity VA | Dimensions (Inches) | | | | | Wt. Lbs. |
|----------|-------------|---------------------|------|------|------|------|----------|
| | | A | B | C | D | E | |
| 171A | 100 | 3.80 | 5.06 | 4.68 | 3.00 | 3.38 | 6.5 |
| 171B | 200 | 3.80 | 5.56 | 4.68 | 3.00 | 3.88 | 8 |
| 171C | 300 | 3.80 | 6.06 | 4.68 | 3.00 | 4.38 | 11 |
| 171E | 500 | 3.80 | 7.06 | 4.68 | 3.00 | 5.38 | 14 |
| 171F | 750 | 4.40 | 8.70 | 5.39 | 3.50 | 6.78 | 30 |
| 171G | 1000 | 5.28 | 7.75 | 6.38 | 4.25 | 4.38 | 34.5 |



Toroidal Isolation Plug In (120V to 120V)

- Primary 120VAC, 50/60 Hz., Secondary 120VAC.
- Provides circuit isolation.
- Toroidal transformer for high isolation, low noise, light weight, cool operation and low profile.
- World wide applications, 50 or 60 Hz. operation, step down (120VAC to 120 VAC).
- Standard 3-wire, grounded plug (for use with adaptors for proper grounding).
- Input (primary) connected to a 5 foot long cord & standard North American plug (NEMA 5-15P).
- Output (secondary) connected to two standard 3 wire grounded receptacles (NEMA 5-15R).
- Features include ventilated black steel case, rocker lighted on-off switch & circuit breaker protected output.
- North American Mark of Safety - C UL & UL listed (File #E211544).
- **Remember** - These units do NOT convert line frequency.



| Part No. | Capacity VA | # of Outlets | Dimensions (Inches) | | |
|----------|-------------|--------------|---------------------|-------|--------|
| | | | Length | Width | Height |
| 178CT | 250 | 2 | 8.25 | 6.00 | 4.00 |
| 178DT | 500 | 2 | 9.00 | 6.00 | 4.00 |
| 178ET | 750 | 2 | 10.25 | 7.50 | 5.00 |
| 178FT | 1000 | 2 | 10.25 | 7.50 | 5.00 |
| 178GT | 1500 | 2 | 12.50 | 9.00 | 5.00 |

Toroidal Isolation Plug In (240V to 240V)

- Primary 240VAC, 50/60 Hz., Secondary 240VAC.
- Provides circuit isolation.
- Toroidal transformer for high isolation, low noise, light weight, cool operation and low profile.
- World wide applications, 50 or 60 Hz. operation, step down (240VAC to 240VAC).
- Standard 3-wire, grounded plug (for use with adaptors for proper grounding).
- Input (primary) connected to a 5 foot long cord & standard North American plug (NEMA 6-15P).
- Output (secondary) connected to a standard 3 wire grounded duplex receptacle (NEMA 6-15R).
- Features include ventilated black steel case, rocker lighted on-off switch & circuit breaker protected output.
- North American Mark of Safety - C UL & UL listed (File #E211544).
- **Remember** - These units do NOT convert line frequency.



| Part No. | Capacity VA | # of Outlets | Dimensions (Inches) | | |
|----------|-------------|--------------|---------------------|-------|--------|
| | | | Length | Width | Height |
| 240CT | 250 | 2 | 8.25 | 6.00 | 4.00 |
| 240DT | 500 | 2 | 9.00 | 6.00 | 4.00 |
| 240ET | 750 | 2 | 10.25 | 7.50 | 5.00 |
| 240FT | 1000 | 2 | 10.25 | 7.50 | 5.00 |
| 240GT | 1500 | 2 | 12.50 | 9.00 | 5.00 |



Constant Voltage A.C. Regulator - Plug In (120 V to 120V)

- AC regulating - protects against both brownouts & over voltage conditions.
- Protects against any power problem other than a blackout.
- Will operate through a 3 millisecond (minimum) blackout.
- Long life - ferroresonant design - no moving parts.
- Ferroresonant design also filters out surges, line harmonics, and RF noise.
- Input 120VAC (+10 % to -25 %), 60 Hz
- Output 120VAC (+/- 3 %).
- Provides circuit isolation.
- Noise Isolation (RF) of 120 db common mode, 60 db normal mode.
- Spike attenuation: 250:1 minimum.
- Sine wave output - total harmonic distortion (THD): 3 %
- Units also include a 2nd stage of high frequency filtering on the output - a Hammond Mfg. exclusive.
- Operating temperature range of -40 degrees C to +40 degrees C.
- Standard 3-wire, grounded plug & receptacle.
- Front panel lighted power switch.
- Input (primary) connected to an extra long 15 foot, heavy duty 14/3 SJTW cord for extreme temperature ranges.
- Integral molded, standard North American plug (NEMA 5-15P).
- Output (secondary) connected to a rear mounted, standard North American, grounded receptacle (NEMA 5-15R) - quantity depends on power capacity of unit (see table below).
- Rugged two piece ventilated steel enclosure.
- Finished in a grey/beige color, textured powder paint with rubber feet installed.
- NOTE 1: Due to the nature of ferroresonant designs - these units do produce audible noise. We have reduced this through careful design, but these units are NOT usable in an office environment.
- NOTE 2: These units provide complete isolation from the source voltage. In other words, the "neutral" output wire has no connection to ground, this is a UL requirement for this type of device. Therefore plug-in circuit testers & line "polarity" testing devices will NOT function on the output as it is completely isolated.
- North American Mark of Safety: C UL & UL listed (File #E211544).

| Part No. | Capacity | | Number of Rear Outlets | Dimensions (Inches) | | | Wt. Lbs. |
|------------------|----------|------------|------------------------|---------------------|-------|-------|----------|
| | VA | Amps (RMS) | | Height | Width | Depth | |
| CV120300 | 300 | 2.5 | 2 | 7.00 | 7.13 | 12.30 | 25.3 |
| CV120600 | 600 | 5 | 4 | 9.00 | 10.13 | 19.50 | 48 |
| CV1201200 | 1200 | 10 | 4 | 9.00 | 10.13 | 19.50 | 74 |
| CV1201800 | 1800 | 15 | 6 | 12.00 | 12.13 | 20.50 | 95 |



LINE ISOLATION STEP UP - PLUG IN (120V to 240V)

- Primary 120VAC, 50/60 Hz., Secondary 240VAC.
- Provides circuit isolation.
- Toroidal transformer for high isolation, low noise, light weight, cool operation and low profile.
- World wide applications, 50 or 60 Hz. operation, step UP (120VAC to 240 VAC).
- Standard 3-wire, grounded plug (for use with adaptors for proper grounding).
- Input (primary) connected to a 5 foot long cord & standard North American plug (NEMA 5-15P).
- Output (secondary) connected to a standard N. American duplex - 3 wire grounded receptacles (NEMA 6-15R).
- Features include ventilated black steel case, rocker lighted on-off switch & circuit breaker protected output.
- North American Mark of Safety - C UL & UL listed (File #E211544).
- **Remember** - These units do NOT convert line frequency.

| Part No. | Capacity VA | # of Outlets | Dimensions (Inches) | | |
|--------------|-------------|--------------|---------------------|-------|--------|
| | | | Length | Width | Height |
| 298CT | 250 | 2 | 8.25 | 6.00 | 4.00 |
| 298DT | 500 | 2 | 9.00 | 6.00 | 4.00 |
| 298ET | 750 | 2 | 10.25 | 7.50 | 5.00 |
| 298FT | 1000 | 2 | 10.25 | 7.50 | 5.00 |
| 298GT | 1500 | 2 | 12.50 | 9.00 | 5.00 |

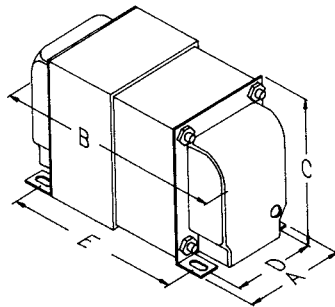
Isolation - Step Down

Plug In (172 & 289 Series)



LINE ISOLATION - STEP DOWN PLUG-IN TRANSFORMERS (230V to 115V)

- Primary 230VAC, 50/60 Hz. Secondary 115VAC
- Circuit breaker in primary.
- Provides circuit isolation & steps down primary voltage.
- Hi-pot tested to 2 KV RMS.
- Electrostatic shield between primary & secondary.
- Input (primary) connected to a 5 foot long cord & North American 250V, 3-wire grounded plug (NEMA 6-15P).
- Output (secondary) connected to a 1 foot long cord & standard North American 125V, 3-wire grounded receptacle (NEMA 5-15R).
- North American Mark of Safety - C UL & UL listed (File #E211544).
- **Remember** - These units do NOT convert line frequency



| Part No. | Capacity VA | Dimensions (Inches) | | | | | Wt. Lbs. |
|----------|-------------|---------------------|------|------|------|------|----------|
| | | A | B | C | D | E | |
| 172A | 100 | 3.80 | 5.06 | 4.68 | 3.00 | 3.38 | 6.5 |
| 172B | 200 | 3.80 | 5.56 | 4.68 | 3.00 | 3.88 | 8.5 |
| 172D | 500 | 3.80 | 7.06 | 4.68 | 3.00 | 5.38 | 18.5 |
| 172E | 750 | 4.40 | 8.70 | 5.39 | 3.50 | 6.78 | 30.0 |
| 172F | 1000 | 5.28 | 7.75 | 6.38 | 4.25 | 4.38 | 34.5 |

Line Transformers



LINE ISOLATION - TOROIDAL STEP DOWN - PLUG IN (240V to 120V)

- Primary 240VAC, 50/60 Hz., Secondary 120VAC.
- Provides circuit isolation.
- Toroidal transformer for high isolation, low noise, light weight, cool operation and low profile.
- World wide applications, 50 or 60 Hz. operation, step down (240VAC to 120 VAC).
- Standard 3-wire, grounded plug (for use with adaptors for proper grounding).
- Input (primary) connected to a 5 foot long cord & standard 250V 2 pole, 3 wire - North American plug (NEMA 6-15P).
- Output (secondary) connected to two standard 125V, 3-wire grounded receptacles (NEMA 5-15R).
- Features include ventilated black steel case, rocker lighted on-off switch & circuit breaker protected output.
- North American Mark of Safety - C UL & UL listed (File #E211544)
- **Remember** - These units do NOT convert line frequency

| Part No. | Capacity VA | # of Outlets | Dimensions (Inches) | | |
|----------|-------------|--------------|---------------------|-------|--------|
| | | | Length | Width | Height |
| 289CT | 250 | 2 | 8.25 | 6.00 | 4.00 |
| 289DT | 500 | 2 | 9.00 | 6.00 | 4.00 |
| 289ET | 750 | 2 | 10.25 | 7.50 | 5.00 |
| 289FT | 1000 | 2 | 10.25 | 7.50 | 5.00 |
| 289GT | 1500 | 2 | 12.50 | 9.00 | 5.00 |

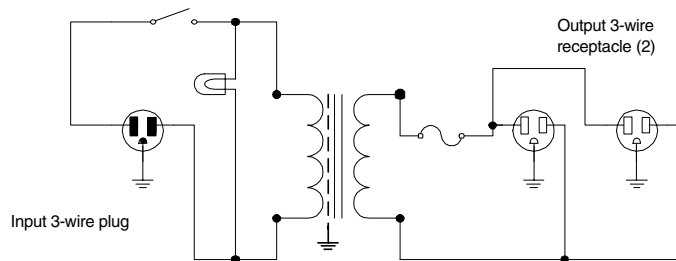


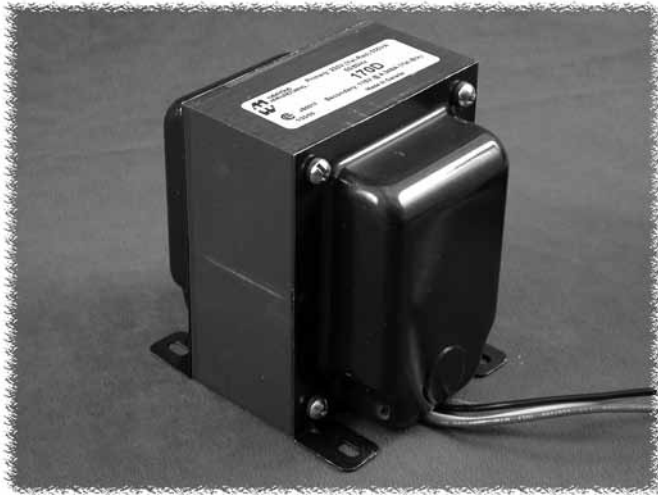


LINE ISOLATION STEP DOWN - PLUG IN (115V to 95V)

- Primary 115VAC, 50/60 Hz., Secondary 95VAC.
- Provides circuit isolation.
- Electrostatic shield between primary & secondary.
- World wide applications, 50 or 60 Hz. operation, step down (115VAC to 95VAC).
- Designed mainly for Japanese equipment operating in North America.
- Perfect for operating "Classic" equipment that can not tolerate today's higher line voltages (ie..125VAC input will produce a stress free 105VAC output - at full load - PLUS - isolation and shielding).
- Standard 3-wire, grounded plug (can also be used with adaptors for proper grounding).
- Input (primary) connected to a 5 foot long cord and standard 3-wire, 125V North American plug (NEMA 5-15P).
- Output (secondary) connected to two standard 3-wire, 125V grounded receptacles (NEMA 5-15R).
- Features include ventilated black steel case, rocker lighted on-off switch & fuse protected output.
- **Remember** - These units do NOT convert line frequency

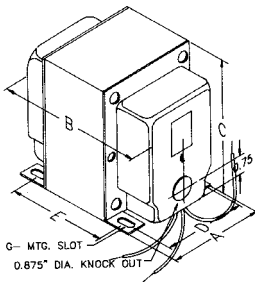
| Part No. | Capacity VA | # of Outlets | Dimensions (Inches) | | |
|-------------|-------------|--------------|---------------------|-------|--------|
| | | | Length | Width | Height |
| 179C | 250 | 2 | 6.00 | 6.75 | 4.75 |
| 179D | 500 | 2 | 6.00 | 8.25 | 4.75 |
| 179E | 750 | 2 | 7.00 | 8.25 | 5.38 |
| 179F | 1000 | 2 | 7.00 | 9.75 | 5.38 |
| 179G | 1500 | 2 | 8.50 | 9.00 | 6.75 |



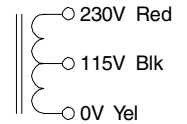


HARD WIRED LINE AUTOTRANSFORMERS

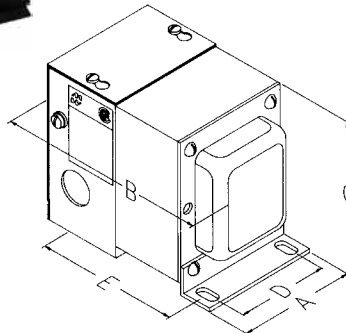
- Single winding, does not provide isolation, for use where equipment is already isolated and only voltage change is required.
- Flexible world wide applications, 50 or 60 Hz. operation, step down (230VAC to 115 VAC) or step up (115VAC to 230VAC).
- Connection by flexible leads, 8" minimum length.
- Models 170A, 170B, 170C & 170D are CSA certified (# LR 3902).
- **Remember** - These units do NOT convert line frequency.



| Part No. | Capacity VA | Dimensions (Inches) | | | | | Wt. Lbs. |
|----------|-------------|---------------------|------|------|------|------|----------|
| | | A | B | C | D | E | |
| 170 | 50 | 2.19 | 2.63 | 2.63 | 1.75 | 1.56 | 2 |
| 170A | 100 | 2.50 | 3.00 | 3.06 | 2.00 | 1.94 | 3 |
| 170B | 200 | 3.13 | 3.50 | 3.81 | 2.50 | 2.19 | 4.5 |
| 170C | 300 | 3.13 | 4.00 | 3.81 | 2.50 | 2.69 | 6 |
| 170D | 500 | 3.75 | 4.50 | 4.56 | 3.00 | 3.31 | 10 |
| 170E | 750 | 3.75 | 5.50 | 4.56 | 3.00 | 4.31 | 14 |
| 170F | 1000 | 3.75 | 5.50 | 4.56 | 3.00 | 4.31 | 14.5 |
| 170G | 1500 | 4.38 | 6.63 | 5.30 | 3.50 | 5.10 | 22 |
| 170J | 2000 | 4.38 | 6.63 | 5.25 | 3.50 | 5.10 | 23 |



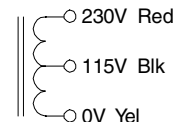
Line Transformers

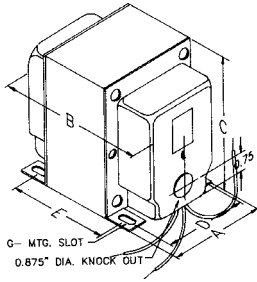


HARD WIRED LINE AUTOTRANSFORMERS

- Single winding, does not provide isolation, for use where equipment is already isolated and only voltage change is required.
- Flexible world wide applications, 50 or 60 Hz. operation, step down (230VAC to 115 VAC) or step up (115VAC to 230VAC).
- Totally enclosed rear case, includes handy internal grounding bolt.
- Extra vacuum varnish for use in high humidity.
- Includes a rear mounted (but not wired), standard 115VAC, 3-wire receptacle.
- Enclosed case with convenient knockouts and includes two cable clamps allowing for easy wire connections.
- Models 170SE, 170AE, 170BE, 170CE & 170DE are CSA certified (# LR3902)
- Connection by flexible leads, 8" minimum length
- **Remember** - These units do NOT convert line frequency.

| Part No. | Capacity VA | Dimensions (Inches) | | | | | Wt. Lbs. |
|----------|-------------|---------------------|------|------|------|------|----------|
| | | A | B | C | D | E | |
| 170SE | 50 | 3.13 | 4.00 | 4.13 | 2.25 | 3.13 | 3.5 |
| 170AE | 100 | 3.13 | 4.00 | 4.13 | 2.25 | 3.13 | 4 |
| 170BE | 200 | 3.13 | 4.25 | 4.13 | 2.25 | 3.38 | 5 |
| 170CE | 300 | 3.13 | 4.75 | 4.13 | 2.25 | 3.88 | 6.5 |
| 170DE | 500 | 3.75 | 5.00 | 4.88 | 2.75 | 4.13 | 10 |
| 170EE | 750 | 3.75 | 6.00 | 4.88 | 2.75 | 5.13 | 15 |
| 170FE | 1000 | 3.75 | 6.00 | 4.88 | 2.75 | 5.13 | 15.5 |
| 170GE | 1500 | 4.38 | 7.00 | 5.50 | 3.25 | 5.88 | 23.5 |
| 170JE | 2000 | 4.38 | 7.00 | 5.50 | 3.25 | 5.88 | 24.0 |

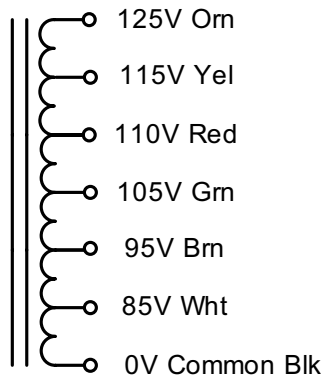




**HARD WIRED
LINE AUTOTRANSFORMERS**

- Single winding, does not provide isolation, for use where equipment is already isolated and only voltage change is required.
- Flexible world wide applications, 50 or 60 Hz. operation, 115VAC input.
- Output taps @ 85, 95, 105, 110, 115 and 125VAC.
- Ideal for manual line voltage adjustment for electronic equipment or small appliance operation.
- Models 168B, 168C & 168D are CSA certified (# LR3902)
- Connection by flexible leads, 8" minimum length.
- **Remember** - These units do NOT convert line frequency.

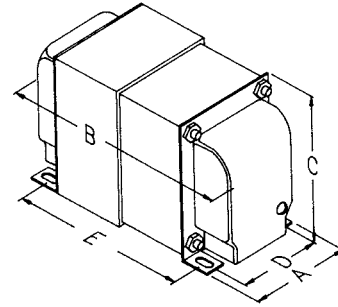
| Part No. | Capacity VA | Dimensions (Inches) | | | | | Wt. Lbs. |
|----------|-------------|---------------------|------|------|------|------|----------|
| | | A | B | C | D | E | |
| 168B | 200 | 3.13 | 3.25 | 3.81 | 2.50 | 1.94 | 4.3 |
| 168C | 350 | 3.13 | 4.00 | 3.81 | 2.50 | 2.69 | 6.5 |
| 168D | 500 | 3.75 | 4.00 | 4.56 | 3.00 | 2.81 | 8 |
| 168E | 750 | 3.75 | 4.50 | 4.56 | 3.00 | 3.31 | 10 |
| 168F | 1000 | 3.75 | 5.50 | 4.56 | 3.00 | 4.31 | 14 |
| 168H | 1500 | 4.38 | 6.13 | 5.25 | 3.50 | 4.50 | 20 |
| 168J | 2000 | 4.38 | 6.63 | 5.25 | 3.50 | 5.10 | 23 |



Line Transformers

"Auto" Step Down

Plug In (175 Series)

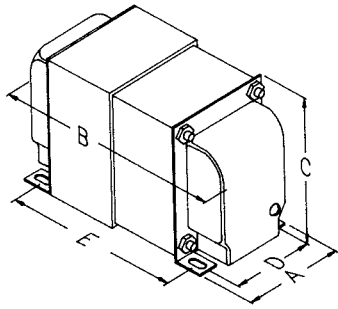


PLUG IN - STEP DOWN AUTOTRANSFORMERS (230V to 115V)

- Single winding, does not provide isolation, for use where equipment is already isolated and only voltage change is required.
- World wide applications, 50 or 60 Hz. operation, step down (230VAC to 115VAC).
- Input is circuit breaker protected.
- Hi-pot tested to 2 KV RMS.
- Standard 3-wire, grounded plug (can also be used with adaptors for proper grounding).
- Input connected to a 5 foot cord & grounded North American 250V 3-wire plug (NEMA 6-15P).
- Output connected to standard North American 115V - 3 wire grounded receptacle (NEMA 5-15R).
- North American Mark of Safety - C UL & UL listed - File #E211544
- **Remember** - These units do NOT convert line frequency.

| Part No. | Capacity VA | Dimensions (Inches) | | | | | Wt. Lbs. |
|----------|----------------|---------------------|------|------|------|------|-------------|
| | | A | B | C | D | E | |
| 175A-NA | 100 | 3.16 | 4.25 | 3.81 | 2.50 | 2.94 | 3.5 |
| 175B-NA | 200 | 3.16 | 4.50 | 3.81 | 2.50 | 3.19 | 4.5 |
| 175C-NA | 300 | 3.16 | 5.00 | 3.81 | 2.50 | 3.69 | 6 |
| 175D-NA | 500 | 3.80 | 6.00 | 4.68 | 3.00 | 4.38 | 10 |
| 175E-NA | 750 | 3.80 | 7.06 | 4.68 | 3.00 | 5.38 | 14 |
| 175F-NA | 1000 | 3.80 | 7.06 | 4.68 | 3.00 | 5.38 | 14.5 |
| 175G-NA | 1500 | 4.40 | 6.63 | 5.39 | 3.50 | 6.09 | 22 |





Autotransformer Step Up - Plug In (115V to 230V)

- Single winding, does not provide isolation, for use where equipment is already isolated and only voltage change is required.
- World wide applications, 50 or 60 Hz. operation, step up (115VAC to 230VAC).
- Input is circuit breaker protected.
- Hi-pot tested to 2 KV RMS
- Standard 3-wire, grounded plug (can also be used with adaptors for proper grounding).
- Input is connected to a 5 foot cord & standard grounded 125V North American plug (NEMA 5-15P)
- Output is connected to a grounded North American 250V receptacle (NEMA 6-15R).
- North American Mark of Safety - C UL & UL listed (File #E211544)
- **Remember** - These units do NOT convert line frequency.

| Part No. | Capacity VA | Dimensions (Inches) | | | | | Wt. Lbs. |
|-------------|----------------|---------------------|------|------|------|------|-------------|
| | | A | B | C | D | E | |
| 176A | 120 | 3.16 | 4.25 | 3.81 | 2.50 | 2.94 | 3.5 |
| 176B | 200 | 3.16 | 4.50 | 3.81 | 2.50 | 3.19 | 4.5 |
| 176C | 300 | 3.16 | 5.00 | 3.81 | 2.50 | 3.69 | 6 |
| 176D | 500 | 3.80 | 6.00 | 4.68 | 3.00 | 4.38 | 10 |
| 176E | 750 | 3.80 | 7.06 | 4.68 | 3.00 | 5.38 | 14 |
| 176F | 1000 | 3.80 | 7.06 | 4.68 | 3.00 | 5.38 | 14.5 |
| 176G | 1500 | 4.40 | 6.63 | 5.39 | 3.50 | 6.09 | 22 |



INTERNATIONAL - GROUNDED ADAPTOR PLUGS

- For use with our 171, 172, 175, 176, 179, 289 & 298 transformers.
- Heavy duty design with plastic shell & double wipe contacts.
- Allows for ground connection between equipment and international power sources.
- With a set of all 4 adaptors, they will accept equipment with plugs from virtually every country except South Africa!
- **Adaptors do not affect voltages, they are a mechanical device only to match foreign “pin-outs” of receptacles and/or plugs.**



Rear View of all adaptors

| Part No. | Grounded Plug Type | Used in the Countries of: |
|----------|--------------------|---|
| 298G4 | European | Austria, Belgium, Finland, France, Germany, Middle East, Netherlands, Norway, Parts of Africa/Asia/South America/China/Tahiti & Caribbean, Sweden |
| 298G3 | British | Hong Kong, Ireland, Malaysia, Parts of Africa, Caribbean, Singapore, U.K. |
| 298G6 | Australian | Australia, People's Republic of China, S. Pacific Islands, New Zealand |
| 298G7 | N. American | Canada, Parts of the Caribbean/South America, Philippines, USA |
| 298G8 | N. American | Canada, USA |



298G8



298G4



298G3



298G6



298G7



Accessories



Accessories



Single Receptacle
15A / 125 VAC

| | |
|----------|--------|
| Part No. | 1584SR |
|----------|--------|



Single Receptacle
20A / 125 VAC

| | |
|----------|----------|
| Part No. | 1584SR20 |
|----------|----------|



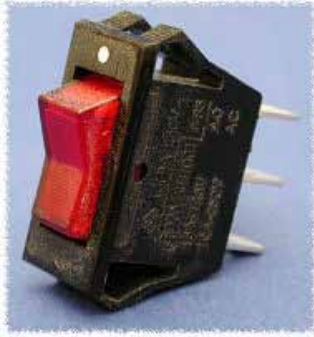
Circuit Breaker
15A / 125 VAC

| | |
|----------|---------|
| Part No. | 1584B15 |
|----------|---------|



Circuit Breaker
20A / 125 VAC

| | |
|----------|---------|
| Part No. | 1584B20 |
|----------|---------|



Lighted Rocker Switch
15A / 125 VAC

| | |
|-----------------|---------------|
| Part No. | 1584S3 |
|-----------------|---------------|



Rocker Switch
20A / 125 VAC

| | |
|-----------------|----------------|
| Part No. | 1584S20 |
|-----------------|----------------|



Indicator Light with Leads
125 VAC

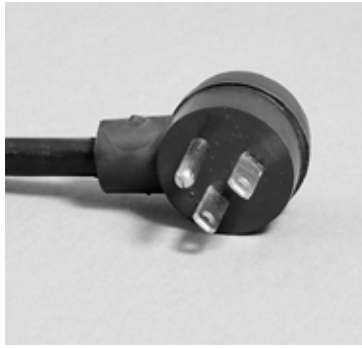
| | |
|-----------------|---------------|
| Part No. | 1584PL |
|-----------------|---------------|



Power Cord (SJT or SJTW) & Plug (NEMA 5-15P)
14/3 - 15 Amp

- Straight Blade Molded Plug

| Part No. | Cord Length |
|-----------------|--------------------|
| 1584C6 | 6.5' |
| 1584C15 | 15.5' |



Power Cord (SJT or SJTW) & 90 Degree Plug (NEMA 5-15P)

14/3 - 15 Amp

- Straight Blade Molded Plug

| Part No. | Cord Length |
|-----------|-------------|
| 1584C6RP | 6.5' |
| 1584C15RP | 15.5' |



Power Cord (SJT or SJTW) & Plug (NEMA 5-20P)

12/3 - 20 Amp

- Straight Blade Molded Plug

| Part No. | Cord Length |
|------------|-------------|
| 1584C6S20 | 6.5' |
| 1584C15S20 | 15.5' |



Power Cord (SJT or SJTW) & Plug (NEMA L5-15P)

14/3 - 15 Amp

- Locking Molded Plug

| Part No. | Cord Length |
|-----------|-------------|
| 1584C6TW | 6.5' |
| 1584C15TW | 15.5' |



Power Cord (SJT or SJTW) & Plug (NEMA L5-20P)

12/3 - 20 Amp

- Locking Molded Plug

| Part No. | Cord Length |
|-------------|-------------|
| 1584C6TW20 | 6.5' |
| 1584C15TW20 | 15.5' |

Mounting Clips



- Steel mounting clips (black) mount to rack cabinet struts, relay rack uprights or work bench
- Mounting clip snaps around extrusion case of outlet strip.
- Included with all vertical rack mount strips
- Includes three sets of hardware to mount to rack cabinet anhal struts (with spring nuts), relay rack uprights or a work bench (with wood screws)

| | |
|-----------------|-----------------|
| Part No. | 1585CLIP |
|-----------------|-----------------|

Vertical Mounting Clips



- Allows vertical mounting of outlet strips in our rack cabinets with anhal struts
- Works with our 1581, 1584 and 1589 series of outlet strips
- Set of two
- Includes mounting hardware

| | |
|-----------------|----------------|
| Part No. | 1584MK1 |
|-----------------|----------------|



HAMMOND MANUFACTURING™

Printed in Canada.



USA

Hammond Mfg. Co. Inc.
475 Cayuga Road
Cheektowaga, NY 14225
Tel: (716) 630-7030
Fax: (716) 630-7042

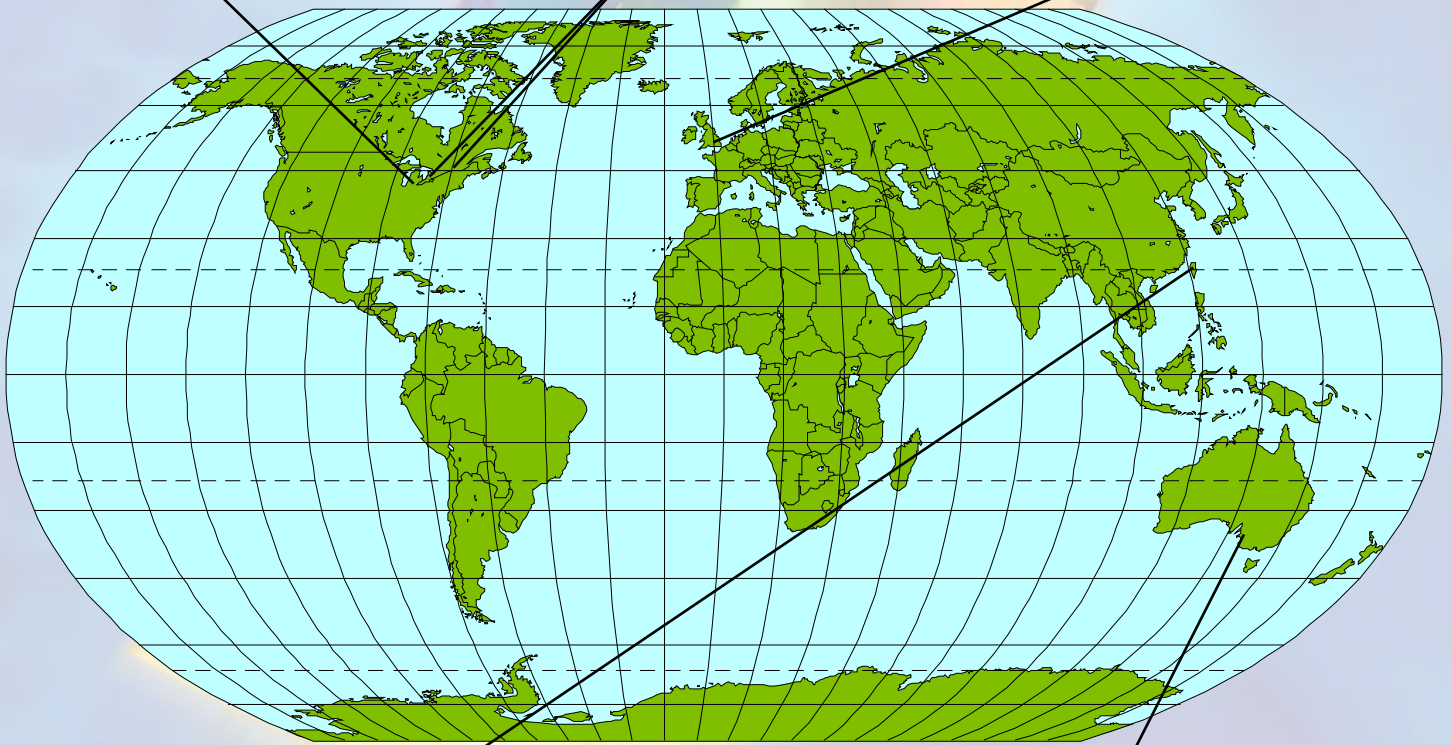
Canada

Hammond Mfg. Co. Ltd.
394 Edinburgh Road North
Guelph, Ontario N1H 1E5
Tel: (519) 822-2960
or (905) 456-3770
Fax: (519) 822-0715

Les Fabrications Hammond
(Quebec) Inc.
4240 Seré Street
St. Laurent, Quebec H4T 1A6
Tel: (514) 343-9010
Fax: (514) 343-9941

Europe

Hammond Electronics Limited
1 Onslow Close
Kingsland Business Park
Basingstoke, Hampshire
RG24 8QL
United Kingdom
Tel: 01256 812812
Fax: 01256 332249



Asia

RITEC Enclosures Inc.
10F., No. 81, Sec. 1, Kuang Fu Road
San Chung City, Taipei 241
Taiwan
Tel: +886 - 2 - 2999 8918
Fax: +886 - 2 - 2999 8955

Australia

Hammond Electronics Pty. Ltd.
ABN 13 099 121 981
11-13 Port Road
Queenstown, SA 5014
Australia
Tel: 61-8-8240-2244
Fax: 61-8-8240-2255

www.hammondmfg.com