



Quality Products. Service Excellence.

Type 3R Painted Galvanized Steel Junction Box *C3R SC Series*

Lift-Off Cover with Screws and w/ Knockouts



Application

- Designed for use as a wiring/junction box.
- Provides protection against rain, sleet, snow and dripping water.

Standards

- UL-50 Type 3R
- CSA Type 3R
- Complies with:
 - NEMA Type 3R
 - IEC 60529, IP24

Construction

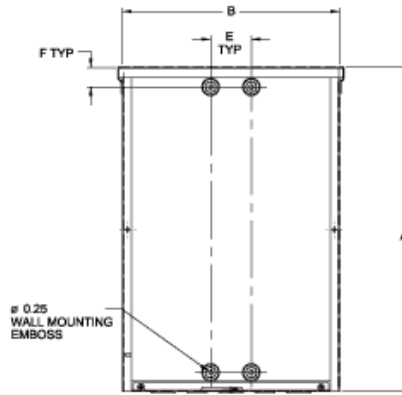
- Formed and spot welded from 16 or 14 gauge galvanized steel.
- Drip-shield top and seam-free sides, front and back.
- Slip-on removable cover fastened with plated steel screws.
- Door handles on body type C enclosures.
- Embossed mounting holes on back of enclosure.
- Easily removed knockouts on bottom of enclosure.
- Padlocking hasp.
- No Gasket.

Finish

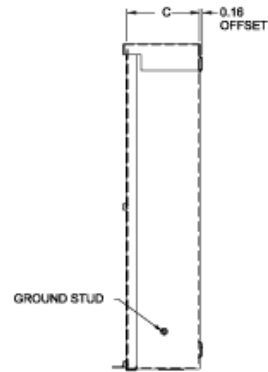
- Enclosure and cover are finished in ANSI 61 gray powder coating.



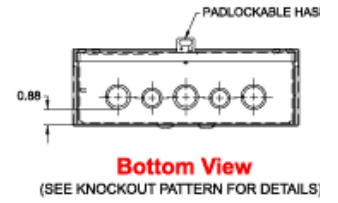
Body Type A



Front View - Cover Removed

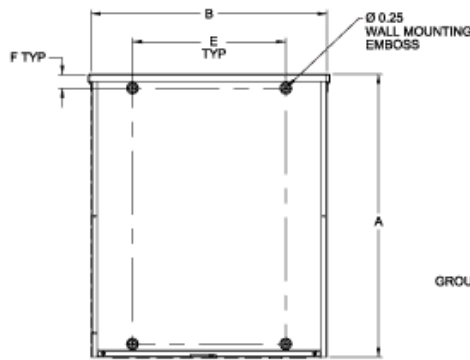


Side View

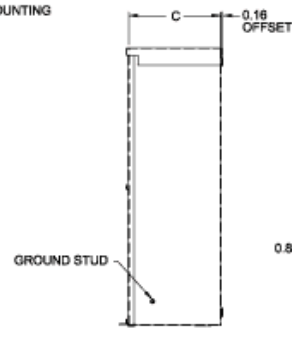


Bottom View

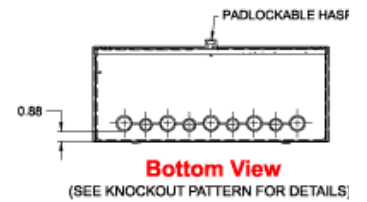
Body Type B



Front View - Cover Removed

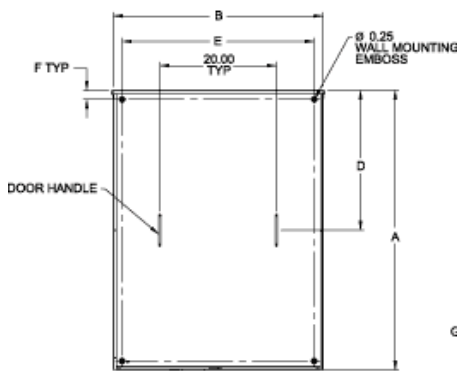


Side View

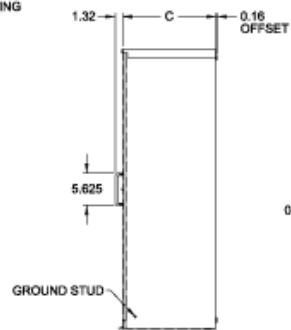


Bottom View

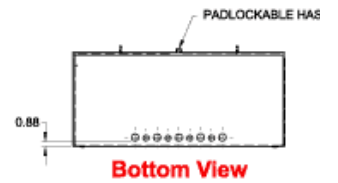
Body Type C



Front View - Cover Removed

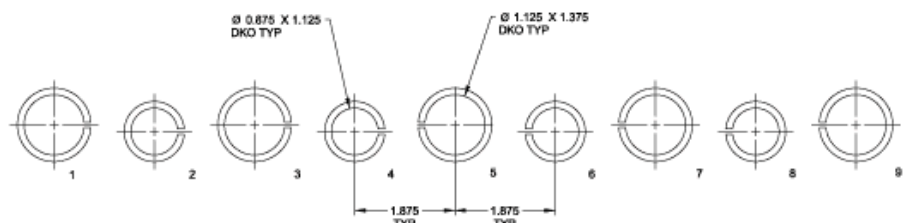


Side View



Bottom View

Knockout Pattern



Part No.	Body Type	A	B	C	D	Mounting		Knockout Pattern
						E	F	
C3R444SC	A	4.00	4.00	4.00	-	1.88	2.00	2-3
C3R644SC	A	6.00	4.00	4.00	-	1.88	1.06	2-3
C3R1244SC	A	12.00	4.00	4.00	-	1.88	1.06	2-3
C3R664SC	A	6.00	6.00	4.00	-	2.25	1.06	2-3-4
C3R864SC	A	8.00	6.00	4.00	-	2.25	1.06	2-3-4
C3R884SC	A	8.00	8.00	4.00	-	2.25	1.06	6-7-8-9
C3R1084SC	A	10.00	8.00	4.00	-	2.25	1.06	6-7-8-9
C3R1284SC	A	12.00	8.00	4.00	-	2.25	1.06	6-7-8-9
C3R10104SC	A	10.00	10.00	4.00	-	2.25	1.06	3-4-5-6-7
C3R12104SC	A	12.00	10.00	4.00	-	2.25	1.06	3-4-5-6-7
C3R12124SC	A	12.00	12.00	4.00	-	2.25	1.06	3-4-5-6-7
C3R18124SC	A	18.00	12.00	4.00	-	2.25	1.06	3-4-5-6-7
C3R18184SC	B	18.00	18.00	4.00	-	13.00	1.12	1-2-3-4-5-6-7-8-9
C3R666SC	A	6.00	6.00	6.00	-	2.25	1.06	2-3-4
C3R1866SC	A	18.00	6.00	6.00	-	2.25	1.06	2-3-4
C3R886SC	A	8.00	8.00	6.00	-	2.25	1.06	6-7-8-9
C3R1086SC	A	10.00	8.00	6.00	-	2.25	1.06	6-7-8-9
C3R10106SC	A	10.00	10.00	6.00	-	2.25	1.06	3-4-5-6-7
C3R1286SC	A	12.00	8.00	6.00	-	2.25	1.06	6-7-8-9
C3R12106SC	A	12.00	10.00	6.00	-	2.25	1.06	3-4-5-6-7
C3R12126SC	A	12.00	12.00	6.00	-	2.25	1.06	3-4-5-6-7
C3R15126SC	A	15.00	12.00	6.00	-	2.25	1.06	3-4-5-6-7
C3R16126SC	A	16.00	12.00	6.00	-	2.25	1.06	3-4-5-6-7
C3R18126SC	A	18.00	12.00	6.00	-	2.25	1.06	3-4-5-6-7
C3R18186SC	B	18.00	18.00	6.00	-	13.00	1.12	1-2-3-4-5-6-7-8-9
C3R24126SC	B	24.00	12.00	6.00	-	13.00	1.12	3-4-5-6-7
C3R24186SC	B	24.00	18.00	6.00	-	13.00	1.12	1-2-3-4-5-6-7-8-9
C3R24246SC	B	24.00	24.00	6.00	-	13.00	1.12	1-2-3-4-5-6-7-8-9
C3R888SC	A	8.00	8.00	8.00	-	2.25	1.06	6-7-8-9
C3R2488SC	A	24.00	8.00	8.00	-	2.25	1.06	6-7-8-9
C3R12128SC	A	12.00	12.00	8.00	-	2.25	1.06	3-4-5-6-7
C3R15128SC	A	15.00	12.00	8.00	-	2.25	1.06	3-4-5-6-7
C3R18128SC	A	18.00	12.00	8.00	-	2.25	1.06	3-4-5-6-7
C3R24168SC	B	24.00	16.00	8.00	-	13.00	1.12	3-4-5-6-7
C3R18188SC	B	18.00	18.00	8.00	-	13.00	1.12	1-2-3-4-5-6-7-8-9
C3R24188SC	B	24.00	18.00	8.00	-	13.00	1.12	1-2-3-4-5-6-7-8-9
C3R24208SC	B	24.00	20.00	8.00	-	13.00	1.12	1-2-3-4-5-6-7-8-9
C3R24248SC	C	24.00	24.00	8.00	12.04	13.00	1.12	1-2-3-4-5-6-7-8-9
C3R30248SC	C	30.00	24.00	8.00	15.04	13.00	1.12	1-2-3-4-5-6-7-8-9
C3R48368SC	C	48.00	36.00	8.00	24.04	33.00	1.50	1-2-3-4-5-6-7-8-9
C3R181810SC	C	18.00	18.00	10.00	9.04	13.00	1.12	1-2-3-4-5-6-7-8-9
C3R241810SC	C	24.00	18.00	10.00	12.04	13.00	1.12	1-2-3-4-5-6-7-8-9
C3R242410SC	C	24.00	24.00	10.00	12.04	13.00	1.12	1-2-3-4-5-6-7-8-9
C3R302410SC	C	30.00	24.00	10.00	15.04	13.00	1.50	1-2-3-4-5-6-7-8-9
C3R242412SC	C	24.00	24.00	12.00	12.04	13.00	1.12	1-2-3-4-5-6-7-8-9
C3R303012SC	C	30.00	30.00	12.00	15.04	27.00	1.50	1-2-3-4-5-6-7-8-9
C3R363012SC	C	36.00	30.00	12.00	18.04	27.00	1.50	1-2-3-4-5-6-7-8-9
C3R363612SC	C	36.00	36.00	12.00	18.04	33.00	1.50	1-2-3-4-5-6-7-8-9
C3R303016SC	C	30.00	30.00	16.00	15.04	27.00	1.50	1-2-3-4-5-6-7-8-9
C3R483616SC	C	48.00	36.00	16.00	24.04	33.00	1.50	1-2-3-4-5-6-7-8-9

Data subject to change without notice

