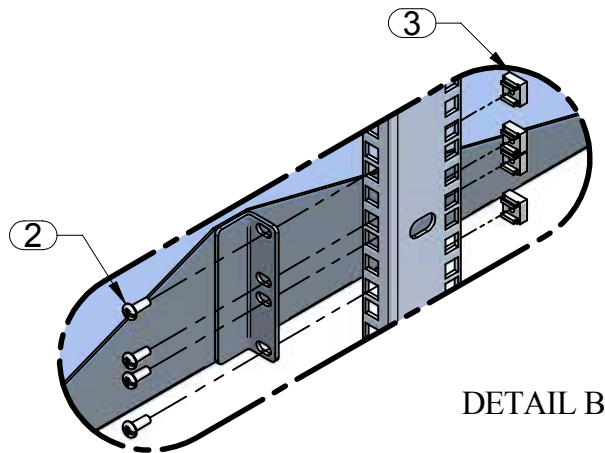
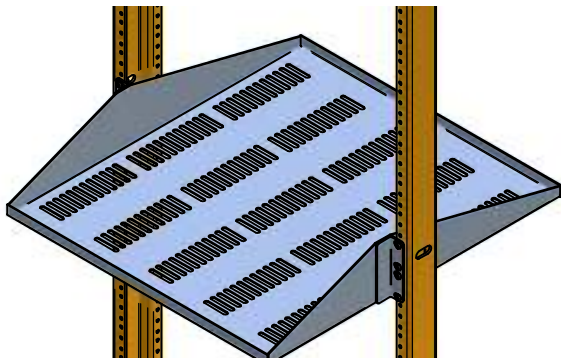


DETAIL A



DETAIL B



COMPLETE ASSEMBLY

ASSEMBLY INSTRUCTIONS

- A) Select height at which to mount the dual modem shelf (item 1) on the combination rails (item 4).
- B) If mounting rails have square cutouts insert 4 or 8 cage nuts (item 3) on the mounting rail to suit the spacing of the mounting slots. This can be done using a cage nut insertion tool. (Detail B)
- C) Line up the mounting slots of the shelf (item 1) with the holes (or cage nuts just inserted) on the combination rail (item 4). Secure with screws (items 2) purchased for the combination rails. (Detail A & B)

PARTS LIST

ITEM No.	DESCRIPTION	QTY
1	DUAL MODEM SHELF (VENT/UNVENT)	1
2	SCREWS (NOT INCLUDED)	4 OR 8
3	CAGE NUTS (NOT INCLUDED)	4 OR 8
4	COMBINATION RAILS (NOT INCLUDED)	2

TOOL BOX



#2 Phillips Head
Screw Driver

