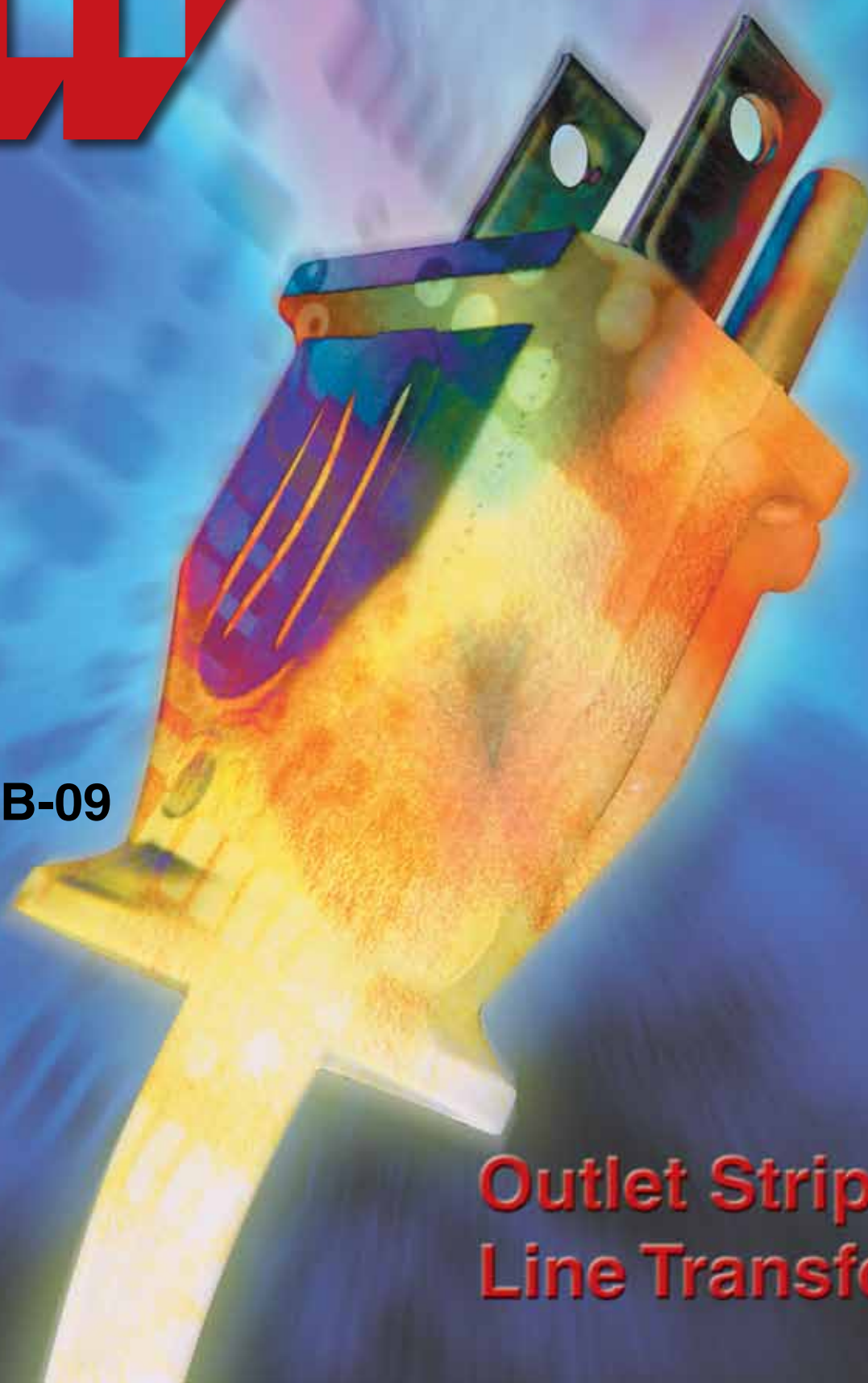




**HAMMOND
MANUFACTURING™**



PB-09

**Outlet Strips &
Line Transformers**

Outlet Strips

15 Amp - Industrial/Commercial Grade	4
15 Amp (90° Offset) - Industrial/Commercial Grade	5
15 Amp - With "Green Dot" Plug & Receptacles	6
20 Amp - Industrial/Commercial Grade	7
International (IEC) - Industrial/Commercial Grade	8
15 Amp - Power Blocks	9
Basic Plastic Outlet Strip	10

Rack Mount Outlet Strips

15 Amp - Rack Panel Mount (Front Mounted Receptacles)	12
15 Amp - Rack Panel Mount (Rear Mounted Receptacles)	13
15 Amp - Rack Panel Mount	14
15 Amp (90° Offset) - Rack Panel Mount	15
International (IEC) - Rack Panel Mount	15
20 Amp - Rack Panel Mount	16
15 & 20 Amp - Industrial/Commercial Grade (with Ammeter)	17
15 Amp - Vertical Rack Mount Strips	18
15 Amp - Vertical Rack Mount Strips	19
20 Amp - Vertical Rack Mount Strips	20

Outlet Strips with Surge Protection

ZAP Traps	22
Plastic - Surge Check	23
Plastic - Surge Check Plus	24
15 Amp Industrial Grade with Surge Protection	25
15 Amp - Rack Panel Mount (1582 with Surge Protection)	26
15 Amp - Rack Panel Mount (1583 with Surge Protection)	27
15 Amp With Surge Protection - Vertical Rack Mount Strips	28

Line Transformers

Line Transformers - Selection Guide	30
Straight Isolation - Hard Wired	31
Straight Isolation - Plug In	32
Toroidal Straight Isolation - Plug In	33
Straight Isolation - Constand Voltage	34
Toroidal Isolation - Step Up - Plug In	35
Isolation - Step Down - Plug In	36
Isolation - Step Down - Plug In	37
"Auto" - Hard Wired	38
"Auto" - Hard Wired	39
"Auto" Step Down - Plug In	40
"Auto" Step Up - Plug In	41
Line Transformers - Accessories	42

Accessories

Single Receptacle	44
Circuit Breaker	44
Lighted Rocker Switch	45
Rocker Switch	45
Indicator Light with Leads	45
Power Cord (SJT or SJTW) & Plug (NEMA 5-15P)	45
Power Cord (SJT or SJTW) & 90 Degree Plug (NEMA 5-15P)	46
Power Cord (SJT or SJTW) & Plug (NEMA 5-20P)	46
Power Cord (SJT or SJTW) & Plug (NEMA L5-15P)	46
Power Cord (SJT or SJTW) & Plug (NEMA L5-20P)	46
Mounting Clips	47
Vertical Mounting Clips	47



Outlet Strips

Outlet Strips



15 Amp - Industrial/Commercial Grade

1584 Series

Key Features

- Built to meet the rugged requirements of commercial and industrial use.
- All metal housing - tough extruded aluminum case with a black powder paint coated steel cover.
- Heavy duty receptacles.
- Heavy 14 gauge wire cord - 14/3 SJT or SJWT for extreme temperature ranges and integral molded plug.
- Plug types available are NEMA 5-15P straight blade or NEMA L5-15P locking plug (see table below).
- Mounting feet (with keyhole slots) allow temporary work station mounting if desired.
- On-Off switch is rocker type with light (on those units with on-off switch - listed below) or a red pilot light to indicate power on.
- Includes 15 amp, 125 volt resettable circuit breaker to prevent accidental line overload.
- CSA certified, Standards C22.2 (No. 21-95 and No. 42-99)
- UL listed, Standard UL1363
- Surge Protected models also available - please see the 1584 "S" models on **page 25**



Part No.	Outlets	On-Off Switch	Pilot Light	Cord Length	Plug Type	Dimensions (inches)
1584H4A1	4	Yes	-	6'	Straight	11 x 2 x 2
1584H4B1	4	Yes	-	15'	Straight	11 x 2 x 2
1584H4C1	4	Yes	-	6'	Locking Plug	11 x 2 x 2
1584H4D1	4	Yes	-	15'	Locking Plug	11 x 2 x 2
1584H5A1	5	Yes	-	6'	Straight	14 x 2 x 2
1584H5B1	5	Yes	-	15'	Straight	14 x 2 x 2
1584H5C1	5	Yes	-	6'	Locking Plug	14 x 2 x 2
1584H5D1	5	Yes	-	15'	Locking Plug	14 x 2 x 2
1584H6A1	6	Yes	-	6'	Straight	14 x 2 x 2
1584H6B1	6	Yes	-	15'	Straight	14 x 2 x 2
1584H6C1	6	Yes	-	6'	Locking Plug	14 x 2 x 2
1584H6D1	6	Yes	-	15'	Locking Plug	14 x 2 x 2
1584H7A1	7	Yes	-	6'	Straight	17 x 2 x 2
1584H7B1	7	Yes	-	15'	Straight	17 x 2 x 2
1584H7C1	7	Yes	-	6'	Locking Plug	17 x 2 x 2
1584H7D1	7	Yes	-	15'	Locking Plug	17 x 2 x 2
1584H8A1	8	Yes	-	6'	Straight	17 x 2 x 2
1584H8B1	8	Yes	-	15'	Straight	17 x 2 x 2
1584H8C1	8	Yes	-	6'	Locking Plug	17 x 2 x 2
1584H8D1	8	Yes	-	15'	Locking Plug	17 x 2 x 2
1584T4A1	4	-	Yes	6'	Straight	11 x 2 x 2
1584T4B1	4	-	Yes	15'	Straight	11 x 2 x 2
1584T4C1	4	-	Yes	6'	Locking Plug	11 x 2 x 2
1584T4D1	4	-	Yes	15'	Locking Plug	11 x 2 x 2
1584T5A1	5	-	Yes	6'	Straight	14 x 2 x 2
1584T5B1	5	-	Yes	15'	Straight	14 x 2 x 2
1584T5C1	5	-	Yes	6'	Locking Plug	14 x 2 x 2
1584T5D1	5	-	Yes	15'	Locking Plug	14 x 2 x 2
1584T6A1	6	-	Yes	6'	Straight	14 x 2 x 2
1584T6B1	6	-	Yes	15'	Straight	14 x 2 x 2
1584T6C1	6	-	Yes	6'	Locking Plug	14 x 2 x 2
1584T6D1	6	-	Yes	15'	Locking Plug	14 x 2 x 2
1584T7A1	7	-	Yes	6'	Straight	17 x 2 x 2
1584T7B1	7	-	Yes	15'	Straight	17 x 2 x 2
1584T7C1	7	-	Yes	6'	Locking Plug	17 x 2 x 2
1584T7D1	7	-	Yes	15'	Locking Plug	17 x 2 x 2
1584T8A1	8	-	Yes	6'	Straight	17 x 2 x 2
1584T8B1	8	-	Yes	15'	Straight	17 x 2 x 2
1584T8C1	8	-	Yes	6'	Locking Plug	17 x 2 x 2
1584T8D1	8	-	Yes	15'	Locking Plug	17 x 2 x 2

Also Available (by special order) - change to a 90 degree Nema 5-15P plug on 1584 models ending in 'A1' or 'B1'.

15 Amp (90° Offset) - Industrial/Commercial Grade

1584 "RA" Series

Key Features

- Receptacles turned 90° to allow space for wall transformers
- 4 outlet receptacles are spaced 2.3" apart, 6 outlet receptacles are spaced 2.1" apart (center to center)
- Built to meet the rugged requirements of commercial and industrial use.
- All metal housing - tough extruded aluminum case with a black powder paint coated steel cover.
- Heavy duty receptacles.
- Heavy 14 gauge wire cord - 14/3 SJT or SJTW for extreme temperature ranges and integral molded plug.
- Plug types available are NEMA 5-15P straight blade or NEMA L5-15P locking plug (see table below).
- Mounting feet (with keyhole slots) allow temporary work station mounting if desired.
- On-Off switch is rocker type with light (on those units with on-off switch - listed below) or a red pilot light to indicate power on.
- Includes 15 amp, 125 volt resettable circuit breaker to prevent accidental line overload.
- CSA certified, Standards C22.2 (No. 21-95 and No. 42-99)
- UL listed, Standard UL1363



Outlet Strips

Part No.	Outlets	On-Off Switch	Pilot Light	Cord Length	Plug Type	Dimensions (inches)
1584H4A1RA	4	Yes	-	6'	Straight	14 x 2 x 2
1584H4B1RA	4	Yes	-	15'	Straight	14 x 2 x 2
1584H4C1RA	4	Yes	-	6'	Locking Plug	14 x 2 x 2
1584H4D1RA	4	Yes	-	15'	Locking Plug	14 x 2 x 2
1584T4A1RA	4	-	Yes	6'	Straight	14 x 2 x 2
1584T4B1RA	4	-	Yes	15'	Straight	14 x 2 x 2
1584T4C1RA	4	-	Yes	6'	Locking Plug	14 x 2 x 2
1584T4D1RA	4	-	Yes	15'	Locking Plug	14 x 2 x 2
1584H6A1RA	6	Yes	-	6'	Straight	17 x 2 x 2
1584H6B1RA	6	Yes	-	15'	Straight	17 x 2 x 2
1584H6C1RA	6	Yes	-	6'	Locking Plug	17 x 2 x 2
1584H6D1RA	6	Yes	-	15'	Locking Plug	17 x 2 x 2
1584T6A1RA	6	-	Yes	6'	Straight	17 x 2 x 2
1584T6B1RA	6	-	Yes	15'	Straight	17 x 2 x 2
1584T6C1RA	6	-	Yes	6'	Locking Plug	17 x 2 x 2
1584T6D1RA	6	-	Yes	15'	Locking Plug	17 x 2 x 2

Also Available (by special order) - change to a 90 degree Nema 5-15P plug on 1584 models ending in 'A1RA' or 'B1RA'.



15 Amp - With "Green Dot" Plug & Receptacles

1584 "H" Series

Outlet Strips



Key Features

- Featuring a sturdy aluminum extruded case with a distinctive black powder paint coated steel cover.
- Designed to meet the special requirements for institutional and chronic care use.
- NOT FOR USE IN CRITICAL CARE ENVIRONMENTS
- With "Green Dot" white receptacles, line cord and plug.
- Exceeds NEMA requirements for low leakage ground return and for withstanding impact or continuous physical shock without loss of grounding path continuity when plugged into properly grounded source receptacles.
- The white "Green Dot" receptacles are securely fastened onto the housing and interconnected with solidly bonded bus bars. All bus bars are double connected with a convection pressure sensitive clamp and safety screw. Perfect also for ground sensitive audio applications!
- An additional grounding screw is provided on the case for any further external grounding requirements.
- Heavy duty 14 gauge cord - 14/3 SJT or SJTW for extreme temperature ranges and integral clear molded "Green Dot" plug.
- Complete with a 15 amp, 125 volt resettable circuit breaker to prevent accidental line overload.
- Mounting feet (with keyhole slots) allow temporary work station mounting if desired.
- CSA certified, Standards C22.2 (No. 21-95 and No. 42-99), Cord Sets No. 8 - Hospital Grade Powerbars (Canada Only).
- UL listed, Standard UL1363

Part No.	Outlets	Cord Length	Dimensions (inches)	Ship Wt.
1584T4DH6	4	6'	11 x 2 x 2	2.5 lbs.
1584T4DH	4	12'	11 x 2 x 2	3.0 lbs.
1584T6DH6	6	6'	14 x 2 x 2	2.7 lbs.
1584T6DH	6	12'	14 x 2 x 2	3.3 lbs.
1584T8DH6	8	6'	17 x 2 x 2	2.9 lbs.
1584T8DH	8	12'	17 x 2 x 2	3.9 lbs.



Key Features

- Built to meet the rugged requirements of industrial and commercial use.
- All metal housing – tough extruded aluminum case with black powder-coated steel cover.
- Heavy-duty black receptacles rated for 20A, 125VAC service (NEMA 5-20R, Single T-Slot).
- Heavy-duty power cord – 12/3 SJT or SJTW for extreme temperature ranges.
- Integral molded plug with straight blade (NEMA 5-20P) or locking plug (NEMA L5-20P) configuration.
- Available with on/off switch or red pilot light to indicate power on (see table).
- Includes 20A, 125VAC circuit breaker to prevent accidental line overload.
- Mounting feet (with keyhole slots) allow temporary work station mounting if desired.
- CSA certified, Standards C22.2 (No. 21-95 and No. 42-99)
- UL listed, Standard UL1363



Part No.	Outlets	On-Off Switch	Pilot Light	Cord Length	Plug Type	Dimensions (inches)	Ship Wt.
1589H4C1	4	Yes	-	6'	Locking Plug	11 x 2 x 2	3.0 lbs.
1589H4D1	4	Yes	-	15'	Locking Plug	11 x 2 x 2	3.5 lbs.
1589H4F1	4	Yes	-	6'	Straight	11 x 2 x 2	3.0 lbs.
1589H4G1	4	Yes	-	15'	Straight	11 x 2 x 2	3.5 lbs.
1589H6C1	6	Yes	-	6'	Locking Plug	14 x 2 x 2	3.0 lbs.
1589H6D1	6	Yes	-	15'	Locking Plug	14 x 2 x 2	3.5 lbs.
1589H6F1	6	Yes	-	6'	Straight	14 x 2 x 2	3.0 lbs.
1589H6G1	6	Yes	-	15'	Straight	14 x 2 x 2	3.5 lbs.
1589H8C1	8	Yes	-	6'	Locking Plug	17 x 2 x 2	3.2 lbs.
1589H8D1	8	Yes	-	15'	Locking Plug	17 x 2 x 2	3.7 lbs.
1589H8F1	8	Yes	-	6'	Straight	17 x 2 x 2	3.2 lbs.
1589H8G1	8	Yes	-	15'	Straight	17 x 2 x 2	3.7 lbs.
1589T4C1	4	-	Yes	6'	Locking Plug	11 x 2 x 2	3.0 lbs.
1589T4D1	4	-	Yes	15'	Locking Plug	11 x 2 x 2	3.5 lbs.
1589T4F1	4	-	Yes	6'	Straight	11 x 2 x 2	3.0 lbs.
1589T4G1	4	-	Yes	15'	Straight	11 x 2 x 2	3.5 lbs.
1589T6C1	6	-	Yes	6'	Locking Plug	14 x 2 x 2	3.0 lbs.
1589T6D1	6	-	Yes	15'	Locking Plug	14 x 2 x 2	3.5 lbs.
1589T6F1	6	-	Yes	6'	Straight	14 x 2 x 2	3.0 lbs.
1589T6G1	6	-	Yes	15'	Straight	14 x 2 x 2	3.5 lbs.
1589T8C1	8	-	Yes	6'	Locking Plug	17 x 2 x 2	3.2 lbs.
1589T8D1	8	-	Yes	15'	Locking Plug	17 x 2 x 2	3.7 lbs.
1589T8F1	8	-	Yes	6'	Straight	17 x 2 x 2	3.2 lbs.
1589T8G1	8	-	Yes	15'	Straight	17 x 2 x 2	3.7 lbs.



Key Features

- Designed for use with IEC power cords
- All metal housing – tough extruded aluminum case with black powder-coated steel cover
- One IEC 320 - C14 inlet, and 4, 5, 6 or 8 IEC 320 - C13 outlets
- On-Off switch is rocker type with green light (on those units with on-off switch - listed below) or a green pilot light to indicate power on.
- Mounting feet (with keyhole slots) allow temporary work station mounting if desired.
- Includes 10A, 230VAC circuit breaker to prevent accidental line overload
- cULus listed, Standards UL60950 & CSA C22.2 No. 60950
- CSA certified, Standards C22.2 (No. 21-95 and No. 42-99)
- TÜV-GS certified, Standards EN60335-1 and EN60950-1
- CE certified Registration #: AN 72031916 0001



Part No.	Outlets	On-Off Switch	Pilot Light	Dimensions (inches)	Electrical Rating	Ship Wt.
1581H4	4	Yes	-	10 x 2 x 2	230VAC / 10A	1.2 lbs
1581H5	5	Yes	-	11.75 x 2 x 2	230VAC / 10A	1.2 lbs
1581H6	6	Yes	-	13.25 x 2 x 2	230VAC / 10A	1.5 lbs
1581H8	8	Yes	-	17 x 2 x 2	230VAC / 10A	2.0 lbs
1581T4	4	-	Yes	10 x 2 x 2	230VAC / 10A	1.2 lbs
1581T5	5	-	Yes	11.75 x 2 x 2	230VAC / 10A	1.2 lbs
1581T6	6	-	Yes	13.25 x 2 x 2	230VAC / 10A	1.5 lbs
1581T8	8	-	Yes	17 x 2 x 2	230VAC / 10A	2.0 lbs

Key Features

- Designed for power distribution in a compact area.
- Available with a single on/off switch, no switch or individually switched receptacles
- Heavy 14 gauge wire cord - 14/3 SJT or SJTW for extreme temperature ranges and integral molded plug.
- Plug type available is NEMA 5-15P straight blade.
- Includes 15 Amp, 125 VAC circuit breaker to prevent accidental overload.
- Mounting feet (with keyhole slots) allow temporary work station mounting if desired.
- CSA certified, Standards C22.2 (No. 21-95 and No. 42-99)
- UL listed, Standard UL1363



Power Block

Part No.	Outlets	On-Off Switch	Pilot Light	Cord Length	Enclosure Length	Plug Type
1580H10A1	10	Yes	-	6'	10.5"	Straight
1580H10B1	10	Yes	-	15'	10.5"	Straight
1580T10A1	10	-	Yes	6'	10.5"	Straight
1580T10B1	10	-	Yes	15'	10.5"	Straight

Also Available (by special order) - change to a 90 degree Nema 5-15P plug on 1580 models ending in 'A1' or 'B1'.



Power Block (Individually Switched)

Part No.	Outlets	On-Off Switch	Pilot Light	Cord Length	Enclosure Length	Plug Type
1580H7A1X	7	Yes (7)	-	6'	13.5"	Straight
1580H7B1X	7	Yes (7)	-	15'	13.5"	Straight

Also Available (by special order) - change to a 90 degree Nema 5-15P plug on 1580 models ending in 'A1X' or 'B1X'.

Basic Plastic Outlet Strip

P0801 Series



Outlet Strips

Key Features

- Basic power bar - no surge protection.
- Economical design.
- Moulded in UL VO grade flame retardant plastic case.
- 3' long, heavy 14 gauge wire cord - integral molded plug.
- 15 Amp circuit breaker and lighted on/off switch.
- Rated 15 amps, 115 volt.
- CSA certified
- UL listed.

Part No.

P0801



Rack Mount Outlet Strips

Rack Mount Outlet Strips



15 Amp - Rack Panel Mount (Front Mounted Receptacles)

1582 Series



Key Features

- Designed for power distribution from the front of the unit
- Available with lighted on/off switch or red pilot light to indicate power on(see tables below).
- Available in ASA 61 grey or black powder coat finish.
- Heavy 14 gauge wire cord - 14/3 SJT or SJTW for extreme temperature ranges and integral molded plug.
- Plug types available are NEMA 5-15P straight blade or NEMA L5-15P locking plug.
- Includes 15 Amp, 125 VAC circuit breaker to prevent accidental overload.
- 6 outlet models include 2 outlets with extra spacing for clearance of most plug in transformers (see photo above).
- Panel dimensions are 1.75" high (1U) and 19" rack width.
- CSA certified, Standards C22.2 (No. 21-95 and No. 42-99)
- UL recognized, Standard UL1363
- Surge Protected models also available - please see the 1582 "S" models on [page 26](#)



Rack Mount Outlet Strips

Part No.	Color	Outlets	On-Off Switch	Pilot Light	Cord Length	Plug Type
1582H6A1	ASA 61 Grey	6	Yes	-	6'	Straight
1582H6B1	ASA 61 Grey	6	Yes	-	15'	Straight
1582H6C1	ASA 61 Grey	6	Yes	-	6'	Locking Plug
1582H6D1	ASA 61 Grey	6	Yes	-	15'	Locking Plug
1582H6A1BK	Black	6	Yes	-	6'	Straight
1582H6B1BK	Black	6	Yes	-	15'	Straight
1582H6C1BK	Black	6	Yes	-	6'	Locking Plug
1582H6D1BK	Black	6	Yes	-	15'	Locking Plug
1582H8A1	ASA 61 Grey	8	Yes	-	6'	Straight
1582H8B1	ASA 61 Grey	8	Yes	-	15'	Straight
1582H8C1	ASA 61 Grey	8	Yes	-	6'	Locking Plug
1582H8D1	ASA 61 Grey	8	Yes	-	15'	Locking Plug
1582H8A1BK	Black	8	Yes	-	6'	Straight
1582H8B1BK	Black	8	Yes	-	15'	Straight
1582H8C1BK	Black	8	Yes	-	6'	Locking Plug
1582H8D1BK	Black	8	Yes	-	15'	Locking Plug
1582T6A1	ASA 61 Grey	6	-	Yes	6'	Straight
1582T6B1	ASA 61 Grey	6	-	Yes	15'	Straight
1582T6C1	ASA 61 Grey	6	-	Yes	6'	Locking Plug
1582T6D1	ASA 61 Grey	6	-	Yes	15'	Locking Plug
1582T6A1BK	Black	6	-	Yes	6'	Straight
1582T6B1BK	Black	6	-	Yes	15'	Straight
1582T6C1BK	Black	6	-	Yes	6'	Locking Plug
1582T6D1BK	Black	6	-	Yes	15'	Locking Plug
1582T8A1	ASA 61 Grey	8	-	Yes	6'	Straight
1582T8B1	ASA 61 Grey	8	-	Yes	15'	Straight
1582T8C1	ASA 61 Grey	8	-	Yes	6'	Locking Plug
1582T8D1	ASA 61 Grey	8	-	Yes	15'	Locking Plug
1582T8A1BK	Black	8	-	Yes	6'	Straight
1582T8B1BK	Black	8	-	Yes	15'	Straight
1582T8C1BK	Black	8	-	Yes	6'	Locking Plug
1582T8D1BK	Black	8	-	Yes	15'	Locking Plug

15 Amp - Rack Panel Mount (Rear Mounted Receptacles)

1583 Series



Key Features

- Designed for power distribution from the rear of the unit.
- With lighted on/off switch or red pilot light (see tables below) to indicate power on.
- Available in ASA 61 grey or black powder coat finish.
- Heavy 14 gauge wire cord - 14/3 SJT or SJTW for extreme temperature ranges and integral molded plug.
- Plug types available are NEMA 5-15P straight blade or NEMA L5-15P locking plug (see table & pictures below).
- Includes 15 Amp, 125 VAC circuit breaker to prevent accidental overload.
- 6 outlet models include 2 outlets with extra spacing for clearance of most plug in transformers.
- Panel dimensions are 1.75" high (1U) and 19" width
- CSA certified, Standards C22.2 (No. 21-95 and No. 42-99)
- UL recognized, Standard UL1363
- Surge Protected models also available - please see the 1583 "S" models on [page 27](#)



Rack Mount Outlet Strips

Part No.	Color	Outlets	On-Off Switch	Cord Length	Plug Type
1583H6A1	ASA 61 Grey	6	Yes	6'	Straight
1583H6B1	ASA 61 Grey	6	Yes	15'	Straight
1583H6C1	ASA 61 Grey	6	Yes	6'	Locking Plug
1583H6D1	ASA 61 Grey	6	Yes	15'	Locking Plug
1583H6A1BK	Black	6	Yes	6'	Straight
1583H6B1BK	Black	6	Yes	15'	Straight
1583H6C1BK	Black	6	Yes	6'	Locking Plug
1583H6D1BK	Black	6	Yes	15'	Locking Plug
1583H8A1	ASA 61 Grey	8	Yes	6'	Straight
1583H8B1	ASA 61 Grey	8	Yes	15'	Straight
1583H8C1	ASA 61 Grey	8	Yes	6'	Locking Plug
1583H8D1	ASA 61 Grey	8	Yes	15'	Locking Plug
1583H8A1BK	Black	8	Yes	6'	Straight
1583H8B1BK	Black	8	Yes	15'	Straight
1583H8C1BK	Black	8	Yes	6'	Locking Plug
1583H8D1BK	Black	8	Yes	15'	Locking Plug
1583T6A1	ASA 61 Grey	6	No	6'	Straight
1583T6B1	ASA 61 Grey	6	No	15'	Straight
1583T6C1	ASA 61 Grey	6	No	6'	Locking Plug
1583T6D1	ASA 61 Grey	6	No	15'	Locking Plug
1583T6A1BK	Black	6	No	6'	Straight
1583T6B1BK	Black	6	No	15'	Straight
1583T6C1BK	Black	6	No	6'	Locking Plug
1583T6D1BK	Black	6	No	15'	Locking Plug
1583T8A1	ASA 61 Grey	8	No	6'	Straight
1583T8B1	ASA 61 Grey	8	No	15'	Straight
1583T8C1	ASA 61 Grey	8	No	6'	Locking Plug
1583T8D1	ASA 61 Grey	8	No	15'	Locking Plug
1583T8A1BK	Black	8	No	6'	Straight
1583T8B1BK	Black	8	No	15'	Straight
1583T8C1BK	Black	8	No	6'	Locking Plug
1583T8D1BK	Black	8	No	15'	Locking Plug

15 Amp - Rack Panel Mount

1583 "X" Series



Front View



Rear View

Rack Mount Outlet Strips

Key Features

- Designed for power distribution from both the front and rear of the unit.
- Available with lighted on/off switch or red pilot light to indicate power on.
- Available in black powder coat finish.
- Heavy 14 gauge wire cord - 14/3 SJT or SJTW for extreme temperature ranges and integral molded plug.
- Plug types available are NEMA 5-15P straight blade or NEMA L5-15P locking plug (see table below).
- Includes 15 Amp, 125 VAC circuit breaker to prevent accidental overload.
- Panel dimensions are 1.75" high (1U) and 19" rack width.
- CSA certified, Standards C22.2 (No. 21-95 and No. 42-99)
- UL recognized, Standard UL1363



Part No.	Total Outlets	Front Outlets	Rear Outlets	On-Off Switch	Pilot Light	Cord Length	Plug Type
1583H6A1BKX	6	2	4	Yes	-	6'	Straight
1583H6B1BKX	6	2	4	Yes	-	15'	Straight
1583H6C1BKX	6	2	4	Yes	-	6'	Locking Plug
1583H6D1BKX	6	2	4	Yes	-	15'	Locking Plug
1583T6A1BKX	6	2	4	-	Yes	6'	Straight
1583T6B1BKX	6	2	4	-	Yes	15'	Straight
1583T6C1BKX	6	2	4	-	Yes	6'	Locking Plug
1583T6D1BKX	6	2	4	-	Yes	15'	Locking Plug
1583H12A1BKX	12	6	6	Yes	-	6'	Straight
1583H12B1BKX	12	6	6	Yes	-	15'	Straight
1583H12C1BKX	12	6	6	Yes	-	6'	Locking Plug
1583H12D1BKX	12	6	6	Yes	-	15'	Locking Plug
1583T12A1BKX	12	6	6	-	Yes	6'	Straight
1583T12B1BKX	12	6	6	-	Yes	15'	Straight
1583T12C1BKX	12	6	6	-	Yes	6'	Locking Plug
1583T12D1BKX	12	6	6	-	Yes	15'	Locking Plug

15 Amp (90° Offset) - Rack Panel Mount

1582 & 1583 "RA" Series

Key Features

- Receptacles turned 90° to allow space for wall transformers, spaced 2.0" apart (center to center).
- Designed for power distribution from front OR rear of the unit.
- Available with lighted on/off switch or red pilot light to indicate power on (see tables below).
- Available in black powder coat finish.
- Heavy 14 gauge wire cord - 14/3 SJT or SJTW for extreme temperature ranges and integral molded plug.
- Plug types available are NEMA 5-15P straight blade or NEMA L5-15P locking plug.
- Includes 15 Amp, 125 VAC circuit breaker to prevent accidental overload.
- Panel dimensions are 1.75" high (1U) and 19" rack width.
- CSA certified, Standards C22.2 (No. 21-95 and No. 42-99)
- UL recognized, Standard UL1363



Part No.	Total Outlets	Outlets Location	On-Off Switch	Pilot Light	Cord Length	Plug Type
1582H6A1BKRA	6	Front	Yes	-	6'	Straight
1582H6B1BKRA	6	Front	Yes	-	15'	Straight
1582H6C1BKRA	6	Front	Yes	-	6'	Locking Plug
1582H6D1BKRA	6	Front	Yes	-	15'	Locking Plug
1582T6A1BKRA	6	Front	-	Yes	6'	Straight
1582T6B1BKRA	6	Front	-	Yes	15'	Straight
1582T6C1BKRA	6	Front	-	Yes	6'	Locking Plug
1582T6D1BKRA	6	Front	-	Yes	15'	Locking Plug
1583H6A1BKRA	6	Rear	Yes	-	6'	Straight
1583H6B1BKRA	6	Rear	Yes	-	15'	Straight
1583H6C1BKRA	6	Rear	Yes	-	6'	Locking Plug
1583H6D1BKRA	6	Rear	Yes	-	15'	Locking Plug
1583T6A1BKRA	6	Rear	-	Yes	6'	Straight
1583T6B1BKRA	6	Rear	-	Yes	15'	Straight
1583T6C1BKRA	6	Rear	-	Yes	6'	Locking Plug
1583T6D1BKRA	6	Rear	-	Yes	15'	Locking Plug

International (IEC) - Rack Panel Mount

1582 "E" Series

Key Features

- Designed for use with IEC power cords
- All steel housing with black powder coat finish
- One IEC 320 - C14 inlet, and 8 IEC 320 - C13 outlets
- Standard 19" rack mount
- Designed for power distribution from front of unit
- On-Off switch is rocker type with green light (on those units with on-off switch - listed below) or a green pilot light to indicate power on.
- Includes 10A, 230VAC circuit breaker to prevent accidental line overload
- CSA certified, Standards C22.2 (No. 21-95 and No. 42-99)
- UL listed, Standards UL60950 & CSA C22.2 No. 60950
- TÜV-GS certified, Standards EN60335-1 and EN60950-1
- CE certified #AN 72031916 0001



Part No.	Outlets	Outlet Location	Inlet Location	On-Off Switch	Pilot Light	Dimensions (Inches)	Electrical Rating	Ship Wt.
1582H8E1BK	8	Front	Rear	Yes	-	19 x 3 x 2	230VAC /10A	4.0 lbs
1582T8E1BK	8	Front	Rear	-	Yes	19 x 3 x 2	230VAC /10A	4.0 lbs
1583H8E1BK	8	Rear	Rear	Yes	-	19 x 3 x 2	230VAC /10A	4.0 lbs
1583T8E1BK	8	Rear	Rear	-	Yes	19 x 3 x 2	230VAC /10A	4.0 lbs

Rack Mount Outlet Strips

20 Amp - Rack Panel Mount

1589 "RF & RR" Series



Rack Mount Outlet Strips

Key Features

- Designed for power distribution from front OR rear of the unit.
- Available with on/off switch or red pilot light to indicate power on (see table below).
- Available in black powder coat finish.
- Heavy 12 gauge wire cord - 12/3 SJT or SJTW for extreme temperature ranges and integral molded plug.
- Heavy-duty black receptacles rated for 20A, 125VAC service (NEMA 5-20R, Single T-Slot).
- Plug types available are NEMA 5-20P straight blade or NEMA L5-20P locking plug (see table below).
- Includes 20 Amp, 125 VAC circuit breaker to prevent accidental overload.
- Panel dimensions are 1.75" high (1U) and 19" rack width.
- CSA certified, Standards C22.2 (No. 21-95 and No. 42-99)
- UL recognized, Standard UL1363



Part No.	Total Outlets	Outlets Location	On-Off Switch	Pilot Light	Cord Length	Plug Type	Dimensions (Inches)
1589H6C1BKRF	6	Front	Yes	-	6'	Locking Plug	19 x 3 x 1.75
1589H6D1BKRF	6	Front	Yes	-	15'	Locking Plug	19 x 3 x 1.75
1589H6F1BKRF	6	Front	Yes	-	6'	Straight	19 x 3 x 1.75
1589H6G1BKRF	6	Front	Yes	-	15'	Straight	19 x 3 x 1.75
1589T6C1BKRF	6	Front	-	Yes	6'	Locking Plug	19 x 3 x 1.75
1589T6D1BKRF	6	Front	-	Yes	15'	Locking Plug	19 x 3 x 1.75
1589T6F1BKRF	6	Front	-	Yes	6'	Straight	19 x 3 x 1.75
1589T6G1BKRF	6	Front	-	Yes	15'	Straight	19 x 3 x 1.75
1589H6C1BKRR	6	Rear	Yes	-	6'	Locking Plug	19 x 3 x 1.75
1589H6D1BKRR	6	Rear	Yes	-	15'	Locking Plug	19 x 3 x 1.75
1589H6F1BKRR	6	Rear	Yes	-	6'	Straight	19 x 3 x 1.75
1589H6G1BKRR	6	Rear	Yes	-	15'	Straight	19 x 3 x 1.75
1589T6C1BKRR	6	Rear	-	Yes	6'	Locking Plug	19 x 3 x 1.75
1589T6D1BKRR	6	Rear	-	Yes	15'	Locking Plug	19 x 3 x 1.75
1589T6F1BKRR	6	Rear	-	Yes	6'	Straight	19 x 3 x 1.75
1589T6G1BKRR	6	Rear	-	Yes	15'	Straight	19 x 3 x 1.75
1589H8C1BKRF	8	Front	Yes	-	6'	Locking Plug	19 x 3 x 1.75
1589H8D1BKRF	8	Front	Yes	-	15'	Locking Plug	19 x 3 x 1.75
1589H8F1BKRF	8	Front	Yes	-	6'	Straight	19 x 3 x 1.75
1589H8G1BKRF	8	Front	Yes	-	15'	Straight	19 x 3 x 1.75
1589T8C1BKRF	8	Front	-	Yes	6'	Locking Plug	19 x 3 x 1.75
1589T8D1BKRF	8	Front	-	Yes	15'	Locking Plug	19 x 3 x 1.75
1589T8F1BKRF	8	Front	-	Yes	6'	Straight	19 x 3 x 1.75
1589T8G1BKRF	8	Front	-	Yes	15'	Straight	19 x 3 x 1.75
1589H8C1BKRR	8	Rear	Yes	-	6'	Locking Plug	19 x 3 x 1.75
1589H8D1BKRR	8	Rear	Yes	-	15'	Locking Plug	19 x 3 x 1.75
1589H8F1BKRR	8	Rear	Yes	-	6'	Straight	19 x 3 x 1.75
1589H8G1BKRR	8	Rear	Yes	-	15'	Straight	19 x 3 x 1.75
1589T8C1BKRR	8	Rear	-	Yes	6'	Locking Plug	19 x 3 x 1.75
1589T8D1BKRR	8	Rear	-	Yes	15'	Locking Plug	19 x 3 x 1.75
1589T8F1BKRR	8	Rear	-	Yes	6'	Straight	19 x 3 x 1.75
1589T8G1BKRR	8	Rear	-	Yes	15'	Straight	19 x 3 x 1.75

15 & 20 Amp - Industrial/Commercial Grade (with Ammeter)

1583 & 1589 "AM" Series



Front View



Rear View

Key Features

- Designed for power distribution from the rear of the unit.
- Unit includes easy to read 0.37" high red LED ammeter (1.38" x 0.88" display).
- Ammeter accuracy +/- 0.1 Amps
- Available with lighted on/off switch or red pilot light to indicate power on (see tables below). 20 Amp units have a multi-colored rocker switch.
- Available in black powder coat finish.
- The 15 amp. series uses heavy 14 gauge wire cord - 14/3 SJT or SJTW for extreme temperature ranges and integral molded NEMA 5-15P straight blade plug.
- The 20 amp. series uses heavy 12 gauge wire cord - 12/3 SJT or SJTW for extreme temperature ranges and integral NEMA 5-20P straight blade or L5-20P locking plug molded plug.
- Includes 15 or 20 Amp, 125 VAC circuit breaker to prevent accidental overload.
- Two of the six outlets include extra spacing for clearance of most plug in transformers (see photo above).
- Panel dimensions are 1.75" high (1U) and 19" rack width.
- Units are cURus recognized to Standard UL1363 & CSA C22.2 No. 21-95



Rack Mount Outlet Strips

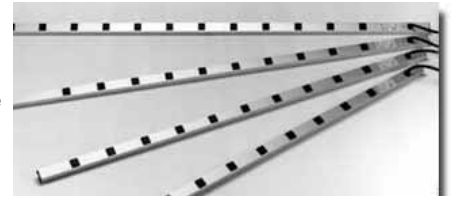
Part No.	Maximum Current	Rear Outlets	Lighted On-Off Switch	On-Off Switch (No Light)	Pilot Light	With Ammeter	Cord Length	Plug Type
1583H6A1BKAM	15 Amps	6	Yes	-	-	Yes	6'	Straight
1583H6B1BKAM	15 Amps	6	Yes	-	-	Yes	15'	Straight
1583T6A1BKAM	15 Amps	6	-	-	Yes	Yes	6'	Straight
1583T6B1BKAM	15 Amps	6	-	-	Yes	Yes	15'	Straight
1589H6C1BKRRAM	20 Amps	6	-	Yes	-	Yes	6'	Locking Plug
1589H6F1BKRRAM	20 Amps	6	-	Yes	-	Yes	6'	Straight
1589T6C1BKRRAM	20 Amps	6	-	-	Yes	Yes	6'	Locking Plug
1589T6F1BKRRAM	20 Amps	6	-	-	Yes	Yes	6'	Straight

15 Amp - Vertical Rack Mount Strips

1585, 1586, 1587 & 1588 "H" Series

Key Features

- 1 5/8" x 1 3/8" aluminum profiles with hardware included for mounting to rack cabinet Amhal Struts or open relay racks.
- Most are natural aluminum finish - some models (as noted in tables below) are available in black powder paint finish.
- Receptacles are 1" square and are equally spaced over the length of the power strip (see tables below for spacing)
- With lighted on/off switch (or pilot light - see tables below) and 15 Amp. circuit breaker.
- Heavy 14 gauge wire cord - 14/3 SJT or SJTW for extreme temperature ranges and integral molded plug.
- Plug types available are NEMA 5-15P straight blade or NEMA L5-15P locking plug (see table below).
- For additional hardware kit, order part number 1585CLIP.
- These strips are also handy for work benches.
- Rated 15 amps, 120 volt.
- CSA certified, Standards C22.2 (No. 21-95 and No. 42-99)
- UL listed, Standard UL1363
- Outlet strips can NOT be used between the front & rear panel rails of rack cabinets as they (and the equipment plugs) will interfere with mounted equipment and mounted accessories.
- To properly use on rack cabinets, allow sufficient depth BEHIND the rear panel rails for vertically mounting to the amhul struts.
- Surge Protected models also available - please see the 1585, 1586, 1587 & 1588 "S" models on **page 28**



Rack Mount Outlet Strips

With On/Off Switch

Part No.	Outlets	Center to Center	Cord Length	Color	Plug Type	Strip Length	Part No.	Outlets	Center to Center	Cord Length	Color	Plug Type	Strip Length
15851H6A1	6	1.63"	6'	Natural	Straight	18"	1585H16C1	16	2.25"	6'	Natural	Locking Plug	48"
15851H6B1	6	1.63"	15'	Natural	Straight	18"	1585H16D1	16	2.25"	15'	Natural	Locking Plug	48"
15851H6C1	6	1.63"	6'	Natural	Locking Plug	18"	1586H10A1	10	5.00"	6'	Natural	Straight	60"
15851H6D1	6	1.63"	15'	Natural	Locking Plug	18"	1586H10B1	10	5.00"	15'	Natural	Straight	60"
15852H6A1	6	1.75"	6'	Natural	Straight	24"	1586H10C1	10	5.00"	6'	Natural	Locking Plug	60"
15852H6B1	6	1.75"	15'	Natural	Straight	24"	1586H10D1	10	5.00"	15'	Natural	Locking Plug	60"
15852H6C1	6	1.75"	6'	Natural	Locking Plug	24"	1586H12A1	12	4.75"	6'	Natural	Straight	60"
15852H6D1	6	1.75"	15'	Natural	Locking Plug	24"	1586H12A1BK	12	4.75"	6'	Black	Straight	60"
15852H8A1	8	1.75"	6'	Natural	Straight	24"	1586H12B1	12	4.75"	15'	Natural	Straight	60"
15852H8B1	8	1.75"	15'	Natural	Straight	24"	1586H12B1BK	12	4.75"	15'	Black	Straight	60"
15852H8C1	8	1.75"	6'	Natural	Locking Plug	24"	1586H12C1	12	4.75"	6'	Natural	Locking Plug	60"
15852H8D1	8	1.75"	15'	Natural	Locking Plug	24"	1586H12D1	12	4.75"	15'	Natural	Locking Plug	60"
15853H6A1	6	5.00"	6'	Natural	Straight	36"	1587H10A1	10	5.00"	6'	Natural	Straight	70"
15853H6B1	6	5.00"	15'	Natural	Straight	36"	1587H10A1BK	10	5.00"	6'	Black	Straight	70"
15853H6C1	6	5.00"	6'	Natural	Locking Plug	36"	1587H10B1	10	5.00"	15'	Natural	Straight	70"
15853H6D1	6	5.00"	15'	Natural	Locking Plug	36"	1587H10B1BK	10	5.00"	15'	Black	Straight	70"
15854H7A1	7	5.00"	6'	Natural	Straight	42"	1587H10C1	10	5.00"	6'	Natural	Locking Plug	70"
15854H7B1	7	5.00"	15'	Natural	Straight	42"	1587H10D1	10	5.00"	15'	Natural	Locking Plug	70"
15854H7C1	7	5.00"	6'	Natural	Locking Plug	42"	1587H11A1	11	5.00"	6'	Natural	Straight	70"
15854H7D1	7	5.00"	15'	Natural	Locking Plug	42"	1587H11B1	11	5.00"	15'	Natural	Straight	70"
1585H8A1	8	5.00"	6'	Natural	Straight	48"	1587H11C1	11	5.00"	6'	Natural	Locking Plug	70"
1585H8A1BK	8	5.00"	6'	Black	Straight	48"	1587H11D1	11	5.00"	15'	Natural	Locking Plug	70"
1585H8B1	8	5.00"	15'	Natural	Straight	48"	1587H12A1	12	5.00"	6'	Natural	Straight	70"
1585H8B1BK	8	5.00"	15'	Black	Straight	48"	1587H12B1	12	5.00"	15'	Natural	Straight	70"
1585H8C1	8	5.00"	6'	Natural	Locking Plug	48"	1587H12C1	12	5.00"	6'	Natural	Locking Plug	70"
1585H8D1	8	5.00"	15'	Natural	Locking Plug	48"	1587H12D1	12	5.00"	15'	Natural	Locking Plug	70"
1585H10A1	10	3.50"	6'	Natural	Straight	48"	1587H19A1	19	3.00"	6'	Natural	Straight	70"
1585H10B1	10	3.50"	15'	Natural	Straight	48"	1587H19B1	19	3.00"	15'	Natural	Straight	70"
1585H10C1	10	3.50"	6'	Natural	Locking Plug	48"	1587H19C1	19	3.00"	6'	Natural	Locking Plug	70"
1585H10D1	10	3.50"	15'	Natural	Locking Plug	48"	1587H19D1	19	3.00"	15'	Natural	Locking Plug	70"
1585H11A1	11	3.50"	6'	Natural	Straight	48"	1587H24A1	24	2.50"	6'	Natural	Straight	70"
1585H11B1	11	3.50"	15'	Natural	Straight	48"	1587H24B1	24	2.50"	15'	Natural	Straight	70"
1585H11C1	11	3.50"	6'	Natural	Locking Plug	48"	1587H24C1	24	2.50"	6'	Natural	Locking Plug	70"
1585H11D1	11	3.50"	15'	Natural	Locking Plug	48"	1587H24D1	24	2.50"	15'	Natural	Locking Plug	70"
1585H15A1	15	2.50"	6'	Natural	Straight	48"	1588H12A1	12	5.00"	6'	Natural	Straight	77"
1585H15B1	15	2.50"	15'	Natural	Straight	48"	1588H12A1BK	12	5.00"	6'	Black	Straight	77"
1585H15C1	15	2.50"	6'	Natural	Locking Plug	48"	1588H12B1	12	5.00"	15'	Natural	Straight	77"
1585H15D1	15	2.50"	15'	Natural	Locking Plug	48"	1588H12B1BK	12	5.00"	15'	Black	Straight	77"
1585H16A1	16	2.25"	6'	Natural	Straight	48"	1588H12C1	12	5.00"	6'	Natural	Locking Plug	77"
1585H16B1	16	2.25"	15'	Natural	Straight	48"	1588H12D1	12	5.00"	15'	Natural	Locking Plug	77"

Also Available (by special order) - change to 90 degree receptacles on any models shown above.

15 Amp - Vertical Rack Mount Strips

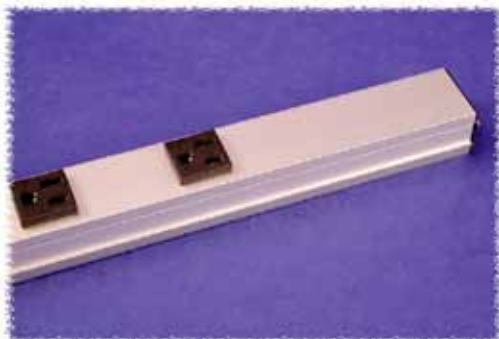
1585, 1586, 1587 & 1588 "T" Series

With Pilot Light (No Switch)

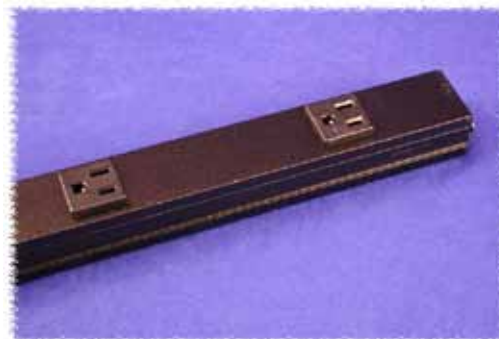
Part No.	Outlets	Center to Center	Cord Length	Color	Plug Type	Strip Length	Part No.	Outlets	Center to Center	Cord Length	Color	Plug Type	Strip Length
15851T6A1	6	1.63"	6'	Natural	Straight	18"	1585T16D1	16	2.25"	15'	Natural	Locking Plug	48"
15851T6B1	6	1.63"	15'	Natural	Straight	18"	1586T10A1	10	5.00"	6'	Natural	Straight	60"
15851T6C1	6	1.63"	6'	Natural	Locking Plug	18"	1586T10B1	10	5.00"	15'	Natural	Straight	60"
15851T6D1	6	1.63"	15'	Natural	Locking Plug	18"	1586T10C1	10	5.00"	6'	Natural	Locking Plug	60"
15852T6A1	6	1.75"	6'	Natural	Straight	24"	1586T10D1	10	5.00"	15'	Natural	Locking Plug	60"
15852T6B1	6	1.75"	15'	Natural	Straight	24"	1586T12A1	12	4.75"	6'	Natural	Straight	60"
15852T6C1	6	1.75"	6'	Natural	Locking Plug	24"	1586T12A1BK	12	4.75"	6'	Black	Straight	60"
15852T6D1	6	1.75"	15'	Natural	Locking Plug	24"	1586T12B1	12	4.75"	15'	Natural	Straight	60"
15852T8A1	8	1.75"	6'	Natural	Straight	24"	1586T12B1BK	12	4.75"	15'	Black	Straight	60"
15852T8B1	8	1.75"	15'	Natural	Straight	24"	1586T12C1	12	4.75"	6'	Natural	Locking Plug	60"
15852T8C1	8	1.75"	6'	Natural	Locking Plug	24"	1586T12D1	12	4.75"	15'	Natural	Locking Plug	60"
15852T8D1	8	1.75"	15'	Natural	Locking Plug	24"	1587T10A1	10	5.00"	6'	Natural	Straight	70"
15853T6A1	6	5.00"	6'	Natural	Straight	36"	1587T10A1BK	10	5.00"	6'	Black	Straight	70"
15853T6B1	6	5.00"	15'	Natural	Straight	36"	1587T10B1	10	5.00"	15'	Natural	Straight	70"
15853T6C1	6	5.00"	6'	Natural	Locking Plug	36"	1587T10B1BK	10	5.00"	15'	Black	Straight	70"
15853T6D1	6	5.00"	15'	Natural	Locking Plug	36"	1587T10C1	10	5.00"	6'	Natural	Locking Plug	70"
15854T7A1	7	5.00"	6'	Natural	Straight	42"	1587T10D1	10	5.00"	15'	Natural	Locking Plug	70"
15854T7B1	7	5.00"	15'	Natural	Straight	42"	1587T11A1	11	5.00"	6'	Natural	Straight	70"
15854T7C1	7	5.00"	6'	Natural	Locking Plug	42"	1587T11B1	11	5.00"	15'	Natural	Straight	70"
15854T7D1	7	5.00"	15'	Natural	Locking Plug	42"	1587T11C1	11	5.00"	6'	Natural	Locking Plug	70"
1585T8A1	8	5.00"	6'	Natural	Straight	48"	1587T11D1	11	5.00"	15'	Natural	Locking Plug	70"
1585T8A1BK	8	5.00"	6'	Black	Straight	48"	1587T12A1	12	5.00"	6'	Natural	Straight	70"
1585T8B1	8	5.00"	15'	Natural	Straight	48"	1587T12B1	12	5.00"	15'	Natural	Straight	70"
1585T8B1BK	8	5.00"	15'	Black	Straight	48"	1587T12C1	12	5.00"	6'	Natural	Locking Plug	70"
1585T8C1	8	5.00"	6'	Natural	Locking Plug	48"	1587T12D1	12	5.00"	15'	Natural	Locking Plug	70"
1585T8D1	8	5.00"	15'	Natural	Locking Plug	48"	1587T19A1	19	3.00"	6'	Natural	Straight	70"
1585T10A1	10	3.50"	6'	Natural	Straight	48"	1587T19B1	19	3.00"	15'	Natural	Straight	70"
1585T10B1	10	3.50"	15'	Natural	Straight	48"	1587T19C1	19	3.00"	6'	Natural	Locking Plug	70"
1585T10C1	10	3.50"	6'	Natural	Locking Plug	48"	1587T19D1	19	3.00"	15'	Natural	Locking Plug	70"
1585T10D1	10	3.50"	15'	Natural	Locking Plug	48"	1587T24A1	24	2.50"	6'	Natural	Straight	70"
1585T11A1	11	3.50"	6'	Natural	Straight	48"	1587T24B1	24	2.50"	15'	Natural	Straight	70"
1585T11B1	11	3.50"	15'	Natural	Straight	48"	1587T24C1	24	2.50"	6'	Natural	Locking Plug	70"
1585T11C1	11	3.50"	6'	Natural	Locking Plug	48"	1587T24D1	24	2.50"	15'	Natural	Locking Plug	70"
1585T11D1	11	3.50"	15'	Natural	Locking Plug	48"	1588T12A1	12	5.00"	6'	Natural	Straight	77"
1585T15A1	15	2.50"	6'	Natural	Straight	48"	1588T12A1BK	12	5.00"	6'	Black	Straight	77"
1585T15B1	15	2.50"	15'	Natural	Straight	48"	1588T12B1	12	5.00"	15'	Natural	Straight	77"
1585T15C1	15	2.50"	6'	Natural	Locking Plug	48"	1588T12B1BK	12	5.00"	15'	Black	Straight	77"
1585T15D1	15	2.50"	15'	Natural	Locking Plug	48"	1588T12C1	12	5.00"	6'	Natural	Locking Plug	77"
1585T16A1	16	2.25"	6'	Natural	Straight	48"	1588T12D1	12	5.00"	15'	Natural	Locking Plug	77"
1585T16B1	16	2.25"	15'	Natural	Straight	48"							
1585T16C1	16	2.25"	6'	Natural	Locking Plug	48"							

Also Available (by special order) - change to 90 degree receptacles on any models shown above.

Color Options



Natural Aluminum Finish



Black Powder Paint Finish

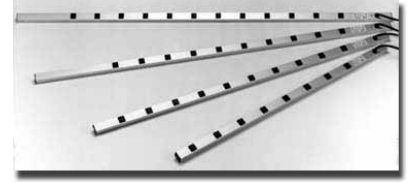
Rack Mount Outlet Strips

20 Amp - Vertical Rack Mount Strips

1589 Series

Key Features

- 1 5/8" x 1 3/8" aluminum profiles with hardware included for mounting to rack Amhal Struts or open relay racks.
- Receptacles are 1" square and are equally spaced over the length of the power strip (see tables below for spacing).
- With on/off switch (or pilot light - see tables below) 20 Amp receptacles and 20 Amp. circuit breaker.
- Heavy 12 gauge wire cord - 12/3 SJT or SJTW for extreme temperature ranges and integral molded plug.
- Heavy-duty black receptacles rated for 20A, 125VAC service (NEMA 5-20R, Single T-Slot).
- Plug types available are NEMA 5-20P straight blade or NEMA L5-20P locking plug
- For additional hardware kit, order part number 1585CLIP.
- These strips are also handy for work benches.
- Rated 20 amps, 120 volt.
- CSA certified, Standards C22.2 (No. 21-95 and No. 42-99)
- UL listed, Standard UL1363
- NOTE #1: Outlet strips can NOT be used between the front & rear panel rails of rack cabinets as they (and the equipment plugs) will interfere with mounted equipment and mounted accessories.
- NOTE #2: To properly use on rack cabinets, allow sufficient depth BEHIND the rear panel rails for vertically mounting to the amhul struts.



Rack Mount Outlet Strips

With Pilot Light (No Switch)

Part No.	Outlets	Center to Center	On/Off Switch	Cord Length	Plug Type	Strip Length
1589T18C1	6	1.63"	No	6'	Locking Plug	18"
1589T18D1	6	1.63"	No	15'	Locking Plug	18"
1589T18F1	6	1.63"	No	6'	Straight	18"
1589T18G1	6	1.63"	No	15'	Straight	18"
1589T24C1	8	1.75"	No	6'	Locking Plug	24"
1589T24D1	8	1.75"	No	15'	Locking Plug	24"
1589T24F1	8	1.75"	No	6'	Straight	24"
1589T24G1	8	1.75"	No	15'	Straight	24"
1589T36C1	6	5.00"	No	6'	Locking Plug	36"
1589T36D1	6	5.00"	No	15'	Locking Plug	36"
1589T36F1	6	5.00"	No	6'	Straight	36"
1589T36G1	6	5.00"	No	15'	Straight	36"
1589T42C1	7	5.00"	No	6'	Locking Plug	42"
1589T42D1	7	5.00"	No	15'	Locking Plug	42"
1589T42F1	7	5.00"	No	6'	Straight	42"
1589T42G1	7	5.00"	No	15'	Straight	42"
1589T48C1	8	5.00"	No	6'	Locking Plug	48"
1589T48D1	8	5.00"	No	15'	Locking Plug	48"
1589T48F1	8	5.00"	No	6'	Straight	48"
1589T48G1	8	5.00"	No	15'	Straight	48"
1589T48C116	16	2.25"	No	6'	Locking Plug	48"
1589T48D116	16	2.25"	No	15'	Locking Plug	48"
1589T48F116	16	2.25"	No	6'	Straight	48"
1589T48G116	16	2.25"	No	15'	Straight	48"
1589T60C1	10	5.00"	No	6'	Locking Plug	60"
1589T60D1	10	5.00"	No	15'	Locking Plug	60"
1589T60F1	10	5.00"	No	6'	Straight	60"
1589T60G1	10	5.00"	No	15'	Straight	60"
1589T70C1	10	5.00"	No	6'	Locking Plug	70"
1589T70D1	10	5.00"	No	15'	Locking Plug	70"
1589T70F1	10	5.00"	No	6'	Straight	70"
1589T70G1	10	5.00"	No	15'	Straight	70"
1589T70C124	24	2.50"	No	6'	Locking Plug	70"
1589T70D124	24	2.50"	No	15'	Locking Plug	70"
1589T70F124	24	2.50"	No	6'	Straight	70"
1589T70G124	24	2.50"	No	15'	Straight	70"
1589T77C1	12	5.00"	No	6'	Locking Plug	77"
1589T77D1	12	5.00"	No	15'	Locking Plug	77"
1589T77F1	12	5.00"	No	6'	Straight	77"
1589T77G1	12	5.00"	No	15'	Straight	77"

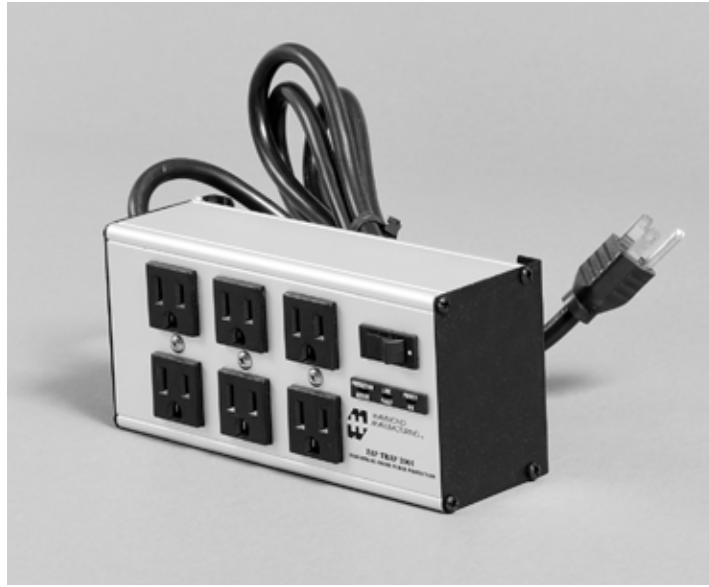
With On/Off Switch

Part No.	Outlets	Center to Center	On/Off Switch	Cord Length	Plug Type	Strip Length
1589H18C1	6	1.63"	Yes	6'	Locking Plug	18"
1589H18D1	6	1.63"	Yes	15'	Locking Plug	18"
1589H18F1	6	1.63"	Yes	6'	Straight	18"
1589H18G1	6	1.63"	Yes	15'	Straight	18"
1589H24C1	8	1.75"	Yes	6'	Locking Plug	24"
1589H24D1	8	1.75"	Yes	15'	Locking Plug	24"
1589H24F1	8	1.75"	Yes	6'	Straight	24"
1589H24G1	8	1.75"	Yes	15'	Straight	24"
1589H36C1	6	5.00"	Yes	6'	Locking Plug	36"
1589H36D1	6	5.00"	Yes	15'	Locking Plug	36"
1589H36F1	6	5.00"	Yes	6'	Straight	36"
1589H36G1	6	5.00"	Yes	15'	Straight	36"
1589H42C1	7	5.00"	Yes	6'	Locking Plug	42"
1589H42D1	7	5.00"	Yes	15'	Locking Plug	42"
1589H42F1	7	5.00"	Yes	6'	Straight	42"
1589H42G1	7	5.00"	Yes	15'	Straight	42"
1589H48C1	8	5.00"	Yes	6'	Locking Plug	48"
1589H48D1	8	5.00"	Yes	15'	Locking Plug	48"
1589H48F1	8	5.00"	Yes	6'	Straight	48"
1589H48G1	8	5.00"	Yes	15'	Straight	48"
1589H48C116	16	2.25"	Yes	6'	Locking Plug	48"
1589H48D116	16	2.25"	Yes	15'	Locking Plug	48"
1589H48F116	16	2.25"	Yes	6'	Straight	48"
1589H48G116	16	2.25"	Yes	15'	Straight	48"
1589H60C1	10	5.00"	Yes	6'	Locking Plug	60"
1589H60D1	10	5.00"	Yes	15'	Locking Plug	60"
1589H60F1	10	5.00"	Yes	6'	Straight	60"
1589H60G1	10	5.00"	Yes	15'	Straight	60"
1589H70C1	10	5.00"	Yes	6'	Locking Plug	70"
1589H70D1	10	5.00"	Yes	15'	Locking Plug	70"
1589H70F1	10	5.00"	Yes	6'	Straight	70"
1589H70G1	10	5.00"	Yes	15'	Straight	70"
1589H70C124	24	2.50"	Yes	6'	Locking Plug	70"
1589H70D124	24	2.50"	Yes	15'	Locking Plug	70"
1589H70F124	24	2.50"	Yes	6'	Straight	70"
1589H70G124	24	2.50"	Yes	15'	Straight	70"
1589H77C1	12	5.00"	Yes	6'	Locking Plug	77"
1589H77D1	12	5.00"	Yes	15'	Locking Plug	77"
1589H77F1	12	5.00"	Yes	6'	Straight	77"
1589H77G1	12	5.00"	Yes	15'	Straight	77"



Outlet Strips with Surge Protection

Outlet Strips with Surge Protection



Key Features

- Five stages of protection.
- Protection in all three AC modes and diagnostic monitoring with 3 LEDs.
- Red LED fault indicator identifying power outlet problems of open or poor grounding, line neutral reversal, excessive ground to neutral.
- Available with or without (see tables below) long-life superior telco-protection circuit. Single line circuit featuring delta protection with three long life semiconductor suppressors. Components FCC part 68 rated to 175 amps clamping at 145V, crowbar at 180V and fused to isolate sustained faults.
- Heavy 14 gauge 6' wire cord.
- Mounting feet (with keyhole slots) allow temporary work station mounting if desired.
- 14/3 SJT or SJTW cord for extreme temperature ranges and integral molded plug.
- Rugged aluminum housing, 15 amp resettable breaker, available in 4, 6 or 8 AC receptacle models, on/off switch.
- Self-healing gas discharge tube protection rated at a minimum of 2,000 joules! Crowbar primary protection to 30,000 amps for sustained faults.
- 24,000 amps maximum transient current.
- Response time of less than 1 nanosecond.
- Voltage suppression at the outlet guards against transients from equipment on the power bar.
- CSA certified, Standards C22.2 (No. 21-95, No. 42-99 and No. 8-M1986)

Part No.	Outlets	EMI/RFI Min. Noise Attenuation	Diagnostics	Telco Protection
ZT1001-4	4	80 db	Yes	No
ZT1001-6	6	80 db	Yes	No
ZT1001-8	8	80 db	Yes	No
ZT2001-4	4	80 db	Yes	Yes
ZT2001	6	80 db	Yes	Yes
ZT2001-8	8	80 db	Yes	Yes

P0802 (3' Cord) & P08026 (6' cord)



- One MOV between line and neutral.
- Molded with UL VO grade flame retardant plastic.
- 15 Amp circuit breaker and on/off switch.
- Features a surge status indicator (if light is on, the unit is protecting, if light is off, a surge has occurred and the unit should be replaced).



P0803 (3' Cord) & P08036 (6' cord)



- MOV protection in all 3 AC modes and EMI/RFI line filter.
- Noise attenuation: 10-35 dB @ 500Khz. - 30Mhz.
- Molded with UL VO grade flame retardant plastic.
- 15 Amp circuit breaker and lighted on/off switch.
- Features a surge status indicator (if light is on, the unit is protecting, if light is off, a surge has occurred and the unit should be replaced).

	Part No.	Outlets	Cord Length	Surge	Max. Spike Energy (Joules)	Status Indicator	EMI/RFI	Protection	
								Telco	Coaxial
Basic	P0802	6	3'	Yes	50	Yes	-	-	-
	P08026	6	6'	Yes	50	Yes	-	-	-
Home & Office	P0803	6	4'	Yes	175	Yes	Yes	-	-
	P08036	6	6'	Yes	175	Yes	Yes	-	-

- 1) Maximum spike voltage: 6,000 volts
- 2) Maximum spike current: 4,500 amps
- 3) Maximum clamping voltage: 340 volts
- 4) Clamping response time: less than 1 nanosecond
- 5) UL 1449: 500V

Outlet Strips with Surge Protection

Plastic - Surge Check Plus

P0900 Series

P0902



- Basic surge protection (70 joules).
- 9 Outlets - 3 with extra spacing for adaptors and transformers.
- Lighted on/off switch & 15 Amp circuit breaker.

SURGE CHECK *Plus*

P0903



- Full surge protection (900 joules) with warning buzzer.
- 8 Outlets - 2 with extra spacing for adaptors and transformers.
- Modem/Fax/phone protection - 1 line in, 2 lines out.
- Lighted on/off switch & 15 Amp circuit breaker.
- Bonus 6' telephone cord included!

P0905



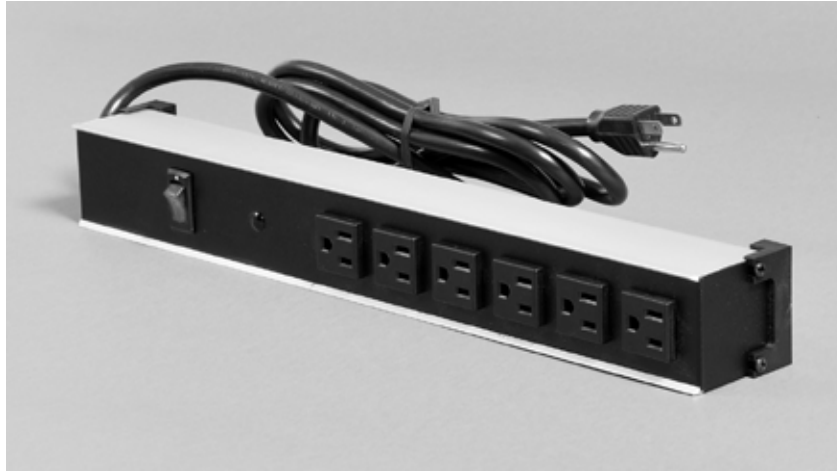
- Full surge protection (900 joules) with warning buzzer.
- 8 Outlets - 2 with extra spacing for adaptors and transformers.
- Modem/Fax/phone protection - 1 line in, 2 lines out.
- Satellite/TV/VCR protection (gold plated coax connectors).
- Lighted on/off switch & 15 Amp circuit breaker.
- Bonus 6' telephone and 6' coax cord included!

Outlet Strips with Surge Protection

	P0902	P0903	P0905
Number of Outlets	9	8	8
Line Cord Length	6'	6'	6'
Alarm Buzzer	No	Yes	Yes
Internet/Phone Protection	No	Yes	Yes
Satellite/VCR Protection	No	No	Yes
Surge Indicator Light	Yes	Yes	Yes
Ground Indicator Light	No	Yes	Yes
Polarity Indicator Light	No	Yes	Yes
Ground Screw	No	No	Yes
Electrical Rating	125V, 15A	125V, 15A	125V, 15A
Maximum Surge Dissipation	70 Joules	900 Joules	900 Joules
Maximum Surge Voltage	6,000V	6,000V	6,000V
Maximum Spike Current	4,500A	10,000A	10,000A
Clamping Voltage	400V	400V	400V
Clamping Response Time	< 1 nanosecond	<1 nanosecond	<1 nanosecond
Noise Attenuation	None	10dB to 40dB @ 100 Khz. to 100 Mhz.	10dB to 40dB @ 100 Khz. to 100 Mhz.
Temperature Range	-40 C to +80 C	-40 C to +80 C	-40 C to +80 C
UL Listing	UL 1449	UL 1449	UL 1449

15 Amp Industrial Grade with Surge Protection

1584 "S" Series



Key Features

- Same features as 1584 except with our surge module included:
 - 12,000 Amp rated MOV's & filter capacitor provide surge suppression and EMI/RFI noise protection
 - Maximum 36,000 Amps transient current and 780 Joules
 - 400V UL 1449 rating
 - Protection in all 3 AC modes (L-N, L-G, N-G)
 - Voltage suppression at the outlet guards against transients from equipment on the powerbar
 - CSA certified, Standards C22.2 (No. 21-95, No. 24-99, and No. 8-M1986)
 - UL listed, Standards UL1363, UL1449, and UL1283

Part No.	Outlets	On/Off Switch	Pilot Light	Plug Type	Cord Length	Outlet Orientation	Dimensions (LxWxH)	Electrical Rating	Shipping Weight
1584H6A1S	6	Yes	-	Straight	6'	standard	17 x 2 x 2	120VAC/15A	2.0 lbs
1584H6A1SRA	6	Yes	-	Straight	6'	right angle	17 x 2 x 2	120VAC/15A	2.0 lbs
1584H6B1S	6	Yes	-	Straight	15'	standard	17 x 2 x 2	120VAC/15A	2.0 lbs
1584H6B1SRA	6	Yes	-	Straight	15'	right angle	17 x 2 x 2	120VAC/15A	2.0 lbs
1584T6A1S	6	-	Yes	Straight	6'	standard	17 x 2 x 2	120VAC/15A	2.0 lbs
1584T6A1SRA	6	-	Yes	Straight	6'	right angle	17 x 2 x 2	120VAC/15A	2.0 lbs
1584T6B1S	6	-	Yes	Straight	15'	standard	17 x 2 x 2	120VAC/15A	2.0 lbs
1584T6B1SRA	6	-	Yes	Straight	15'	right angle	17 x 2 x 2	120VAC/15A	2.0 lbs

Outlet Strips with Surge Protection

15 Amp - Rack Panel Mount (1582 with Surge Protection)

1582 "S" Series



Key Features

- Same features as 1582 except with our surge module included.
- 12,000 Amp rated MOV's.
- Maximum 36,000 Amps transient current and 780 Joules.
- 400V UL1449 suppressed voltage rating.
- Protection in all 3 AC modes, L-N, N-G and L-G.
- Voltage suppression at the outlet guards against transients from equipment on the power bar.
- CSA certified, Standards C22.2 (No. 21-95, No. 42-99 and No. 8-M1986)
- UL recognized, Standards UL1363, UL1449 and UL1283

Outlet Strips with Surge Protection

Part No.	Color	Outlets	On-Off Switch	Pilot Light	Cord Length	Plug Type
1582H6A1S	ASA 61 Grey	6	Yes	-	6'	Straight
1582H6B1S	ASA 61 Grey	6	Yes	-	15'	Straight
1582H6C1S	ASA 61 Grey	6	Yes	-	6'	Locking Plug
1582H6D1S	ASA 61 Grey	6	Yes	-	15'	Locking Plug
1582H6A1SBK	Black	6	Yes	-	6'	Straight
1582H6B1SBK	Black	6	Yes	-	15'	Straight
1582H6C1SBK	Black	6	Yes	-	6'	Locking Plug
1582H6D1SBK	Black	6	Yes	-	15'	Locking Plug



15 Amp - Rack Panel Mount (1583 with Surge Protection)

1583 "S" Series



Key Features

- Same features as 1583 except with our surge module included.
- 12,000 Amp rated MOV's.
- Maximum 36,000 Amps transient current and 780 Joules.
- 400V UL1449 suppressed voltage rating.
- Protection in all 3 AC modes, L-N, N-G and L-G.
- Voltage suppression at the outlet guards against transients from equipment on the power bar.
- CSA certified, Standards C22.2 (No. 21-95, No. 42-99 and No. 8-M1986)
- UL recognized, Standards UL1363, UL1449 and UL1283

Part No.	Color	Outlets	On-Off Switch	Pilot Light	Cord Length	Plug Type
1583H6A1S	ASA 61 Grey	6	Yes	-	6'	Straight
1583H6B1S	ASA 61 Grey	6	Yes	-	15'	Straight
1583H6C1S	ASA 61 Grey	6	Yes	-	6'	Locking Plug
1583H6D1S	ASA 61 Grey	6	Yes	-	15'	Locking Plug
1583H6A1SBK	Black	6	Yes	-	6'	Straight
1583H6B1SBK	Black	6	Yes	-	15'	Straight
1583H6C1SBK	Black	6	Yes	-	6'	Locking Plug
1583H6D1SBK	Black	6	Yes	-	15'	Locking Plug



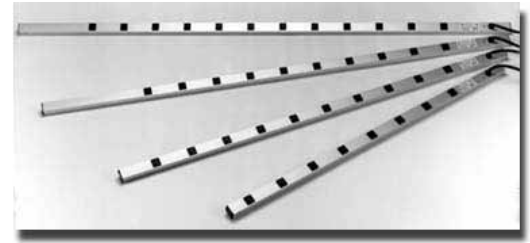
Outlet Strips with Surge Protection

15 Amp With Surge Protection - Vertical Rack Mount Strips

1585, 1587 & 1588 "S" Series

Key Features

- 1 5/8" x 1 3/8" aluminum profiles with hardware included for mounting to rack cabinet Amhal Struts or open relay racks.
- Receptacles are 1" square and are equally spaced over the length of the power strip (see tables below for spacing).
- Includes built in surge protection module
- With lighted on/off switch (or pilot light - see tables below) and 15 Amp. circuit breaker.
- Heavy 14 gauge wire cord - 14/3 SJT or SJTW for extreme temperature ranges and integral molded plug.
- Plug type available is a NEMA 5-15P straight blade (see picture below).
- For additional hardware kit, order part number 1585CLIP.
- These strips are also handy for work benches.
- Rated 15 amps, 120 volt.
- CSA certified, Standards C22.2 (No. 21-95, No. 42-99 and No. 8-M1986)
- UL listed, Standards UL1363, UL1449 and UL1283
- NOTE #1: Outlet strips can NOT be used between the front & rear panel rails of rack cabinets as they (and the equipment plugs) will interfere with mounted equipment and mounted accessories.
- NOTE #2: To properly use on rack cabinets, allow sufficient depth BEHIND the rear panel rails for vertically mounting to the amhal struts.



With On/Off Switch & Surge Module

Part No.	Outlets	Center to Center	On-Off Switch	Cord Length	Plug Type	Strip Length
1585H8A1S	8	5.00"	Yes	6'	Straight	48"
1585H8B1S	8	5.00"	Yes	15'	Straight	48"
1585H10A1S	10	3.50"	Yes	6'	Straight	48"
1585H10B1S	10	3.50"	Yes	15'	Straight	48"
1585H15A1S	15	2.50"	Yes	6'	Straight	48"
1585H15B1S	15	2.50"	Yes	15'	Straight	48"
1587H11A1S	11	5.00"	Yes	6'	Straight	70"
1587H11B1S	11	5.00"	Yes	15'	Straight	70"
1587H19A1S	19	3.00"	Yes	6'	Straight	70"
1587H19B1S	19	3.00"	Yes	15'	Straight	70"
1588H12A1S	12	5.00"	Yes	6'	Straight	77"
1588H12B1S	12	5.00"	Yes	15'	Straight	77"

With Pilot Light (No Switch) & Surge Module

Part No.	Outlets	Center to Center	On-Off Switch	Cord Length	Plug Type	Strip Length
1585T8A1S	8	5.00"	No	6'	Straight	48"
1585T8B1S	8	5.00"	No	15'	Straight	48"
1585T10A1S	10	3.50"	No	6'	Straight	48"
1585T10B1S	10	3.50"	No	15'	Straight	48"
1585T15A1S	15	2.50"	No	6'	Straight	48"
1585T15B1S	15	2.50"	No	15'	Straight	48"
1587T11A1S	11	5.00"	No	6'	Straight	70"
1587T11B1S	11	5.00"	No	15'	Straight	70"
1587T19A1S	19	3.00"	No	6'	Straight	70"
1587T19B1S	19	3.00"	No	15'	Straight	70"
1588T12A1S	12	5.00"	No	6'	Straight	77"
1588T12B1S	12	5.00"	No	15'	Straight	77"

Surge Specifications

- 12,000 Amp rated MOV's.
- Maximum 36,000 Amps transient current and 780 Joules.
- 400V UL1449 suppressed voltage rating.
- Protection in all 3 AC modes, L-N, N-G and L-G.
- Voltage suppression at the outlet guards against transients from equipment on the power bar.

Outlet Strips with Surge Protection



Line Transformers

Line Transformers

Line Transformer - Selection Guide

Steps to Proper Transformer Selection

1. What power is available (you need to know both voltage & frequency)?
2. Check the operating voltage of your equipment (is it single voltage or multiple?).
3. What line frequency will your equipment run on? Either 50, 60 or dual 50/60 Hz. (remember, a transformer can NOT change line frequency).
4. Use the chart below to determine your requirements:

Power Available		Your Equipment		Transformer Type Required (You may also need plug adaptors)
Voltage	Frequency	Voltage	Frequency	
115	60	100	50/60	Step Down
115	50	115	50	None Required - or - Straight Isolation
115	50	115	60	Will Not Work
115	50	115/230	50/60	None Required - or - Straight Isolation
115	60	115	60	None Required - or - Straight Isolation
115	60	230	50	Will Not Work
115	60	230	60	Step Up
115	60	115/230	50/60	None Required - or - Straight Isolation
230	50	115	50	Step Down
230	50	115	60	Will Not Work
230	50	115/230	50/60	None Required - or - Straight Isolation
230	60	115	60	Step Down
230	60	230	50	Will Not Work
230	60	230	60	None Required - or - Straight Isolation
230	60	115/230	50/60	None Required - or - Straight Isolation

5. Determine if your equipment is Electronic or Electrical:
 - Electronic = containing IC chips, transistors or a circuit such as a radio, shavers, electric toothbrush, computer printers, camcorder battery rechargers etc...(if in doubt, check with the manufacturer or refer to your manual).
 - Electrical = Simple heating device, such as irons, hair dryers, electric blankets, curling irons, etc...
6. Use the chart below to locate correct series & voltage conversion in the catalog series that follow:

Transformer Type (determined from chart above)	Your Equipment Type	
	Electronic	Electrical
Step Up	Use Isolation (series 298)	Could use "Auto" (series 170 or 170E)
Step Down	Use Isolation (series 172, 179 or 289)	Could use "Auto" (series 175)
Straight Isolation	Use Isolation (series 169 or 171)	-

IMPORTANT NOTES

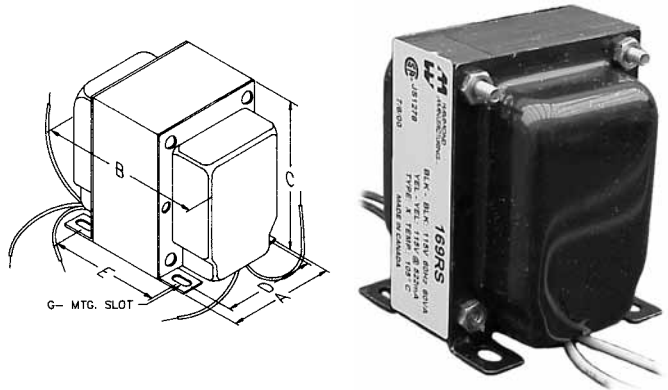
Isolation Transformers: Used for maximum safety, versatility (can be used on both electrical & electronic equipment) and isolation from the power source, used to step-up, step-down or for straight isolation. The disadvantage to using them is weight (about double the "Auto"), more expensive and larger size. This type of transformer is sometimes referred to as "double-wound"

"Auto" Transformers: are non-isolating units and should be used where only a voltage change is required. The advantages to using them are light weight (generally half that of an isolation unit), less expensive and smaller size. The disadvantage is no isolation from the power source. This type of transformer is sometimes referred to as a "converter".

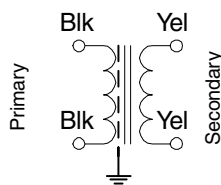
Adaptors: We strongly recommend that 3-prong "grounded" plugs be used with all of our products. They should be used only with our "grounded" adaptors. Adaptors do not affect voltages, they are a mechanical device only to match foreign "pin-outs" of receptacles and/or plugs.

LINE ISOLATION TRANSFORMERS (115V to 115V)

- Primary 115VAC, 60 Hz., Secondary 115VAC
- Electrostatic shield between primary & secondary
- Connection by flexible leads, 8" minimum length
- Perfect for circuit isolation or "Classic" bias power supply
- CSA certified (# LR3902)
- **Remember** - These units do NOT convert line frequency



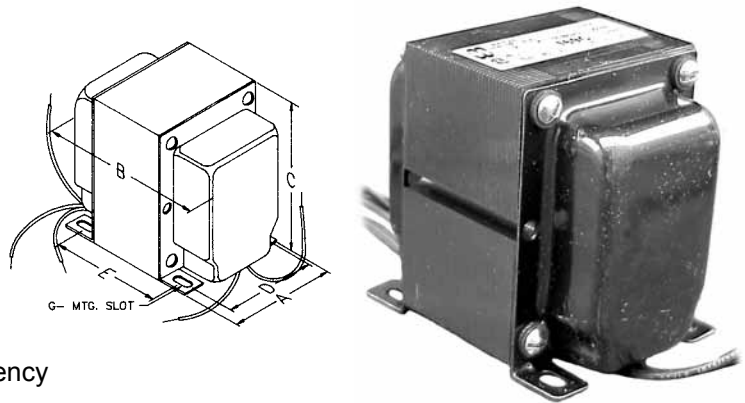
Transformer Schematic



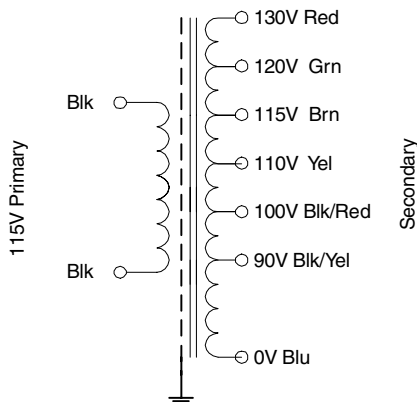
Part No.	Capacity		Dimensions (Inches)					Wt. Lbs.
	VA	Sec. Current ma	A	B	C	D	E	
169PS	15	130	1.88	2.07	2.50	1.50	1.19	1.3
169QS	40	260	2.19	2.50	2.63	1.75	1.44	2.5
169RS	60	435	2.50	2.75	3.06	2.00	1.69	3.3
169SS	90	650	2.50	3.25	3.06	2.00	2.19	4.5
169TS	135	870	3.13	3.50	3.81	2.50	2.19	6.5
169VS	175	1300	3.13	4.00	3.81	2.50	2.69	7
169WS	250	1700	3.75	4.00	4.56	3.00	2.81	12

LINE ISOLATION - TAPPED TRANSFORMERS (115V to 90-130V)

- Primary 115VAC, 60 Hz.
- Secondary taps @ 90, 100, 110, 115, 120 & 130VAC
- Electrostatic shield between primary & secondary
- Connection by flexible leads, 8" minimum length
- Perfect for critical line voltage needs (ex. Japanese 100V equipment).
- CSA certified (# LR3902) - except 169J
- **Remember** - These units do NOT convert line frequency



Transformer Schematic



Part No.	Capacity		Dimensions (Inches)					Wt. Lbs.
	VA	A	B	C	D	E		
169C	100	2.50	3.50	3.06	2.00	2.44	4	
169E	250	3.75	4.00	4.56	3.00	2.81	7	
169G	500	6.75	5.50	4.56	3.00	4.31	15	
169J	750	4.38	6.13	5.25	3.50	4.50	22	



Straight Isolation

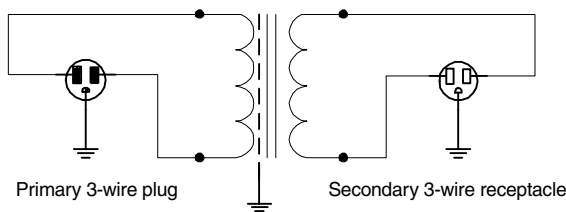
Plug In (171 Series)



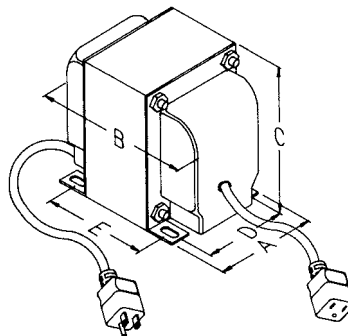
LINE ISOLATION PLUG & RECEPTACLE TRANSFORMERS (115V to 115V)

- Primary 115VAC, 50/60 Hz., Secondary 115VAC
- Provides circuit isolation.
- Electrostatic shield between primary & secondary.
- Hi-pot tested to 2 KV RMS.
- Circuit breaker in primary.
- Standard 3-wire, grounded plug & receptacle.
- Input (primary) connected to 5 foot long cord & standard North American plug (NEMA 5-15P).
- Output (secondary) connected to 1 foot long 3-wire, standard North American grounded receptacle (NEMA 5-15R).
- North American Mark of Safety - C UL & UL listed (File #E211544)
- **Remember** - These units do NOT convert line frequency

Line Transformers



Part No.	Capacity VA	Dimensions (Inches)					Wt. Lbs.
		A	B	C	D	E	
171A	100	3.80	5.06	4.68	3.00	3.38	6.5
171B	200	3.80	5.56	4.68	3.00	3.88	8
171C	300	3.80	6.06	4.68	3.00	4.38	11
171E	500	3.80	7.06	4.68	3.00	5.38	14
171F	750	4.40	8.70	5.39	3.50	6.78	30
171G	1000	5.28	7.75	6.38	4.25	4.38	34.5



Toroidal Isolation Plug In (120V to 120V)

- Primary 120VAC, 50/60 Hz., Secondary 120VAC.
- Provides circuit isolation.
- Toroidal transformer for high isolation, low noise, light weight, cool operation and low profile.
- World wide applications, 50 or 60 Hz. operation, step down (120VAC to 120 VAC).
- Standard 3-wire, grounded plug (for use with adaptors for proper grounding).
- Input (primary) connected to a 5 foot long cord & standard North American plug (NEMA 5-15P).
- Output (secondary) connected to two standard 3 wire grounded receptacles (NEMA 5-15R).
- Features include ventilated black steel case, rocker lighted on-off switch & circuit breaker protected output.
- North American Mark of Safety - C UL & UL listed (File #E211544).
- **Remember** - These units do NOT convert line frequency.



Part No.	Capacity VA	# of Outlets	Dimensions (Inches)		
			Length	Width	Height
178CT	250	2	8.25	6.00	4.00
178DT	500	2	9.00	6.00	4.00
178ET	750	2	10.25	7.50	5.00
178FT	1000	2	10.25	7.50	5.00
178GT	1500	2	12.50	9.00	5.00

Toroidal Isolation Plug In (240V to 240V)

- Primary 240VAC, 50/60 Hz., Secondary 240VAC.
- Provides circuit isolation.
- Toroidal transformer for high isolation, low noise, light weight, cool operation and low profile.
- World wide applications, 50 or 60 Hz. operation, step down (240VAC to 240VAC).
- Standard 3-wire, grounded plug (for use with adaptors for proper grounding).
- Input (primary) connected to a 5 foot long cord & standard North American plug (NEMA 6-15P).
- Output (secondary) connected to a standard 3 wire grounded duplex receptacle (NEMA 6-15R).
- Features include ventilated black steel case, rocker lighted on-off switch & circuit breaker protected output.
- North American Mark of Safety - C UL & UL listed (File #E211544).
- **Remember** - These units do NOT convert line frequency.



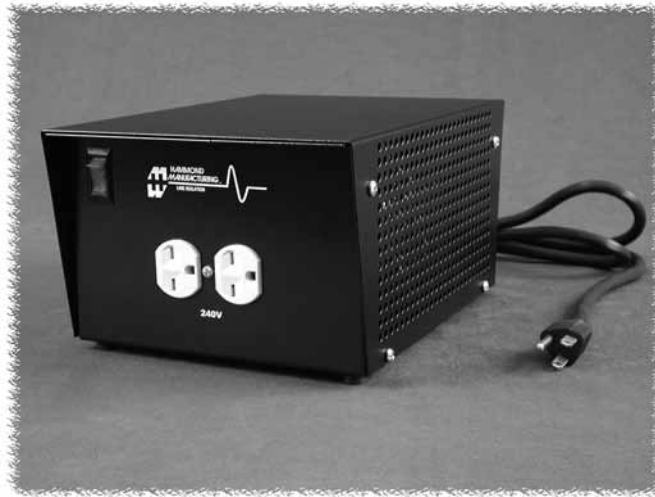
Part No.	Capacity VA	# of Outlets	Dimensions (Inches)		
			Length	Width	Height
240CT	250	2	8.25	6.00	4.00
240DT	500	2	9.00	6.00	4.00
240ET	750	2	10.25	7.50	5.00
240FT	1000	2	10.25	7.50	5.00
240GT	1500	2	12.50	9.00	5.00



Constant Voltage A.C. Regulator - Plug In (120 V to 120V)

- AC regulating - protects against both brownouts & over voltage conditions.
- Protects against any power problem other than a blackout.
- Will operate through a 3 millisecond (minimum) blackout.
- Long life - ferroresonant design - no moving parts.
- Ferroresonant design also filters out surges, line harmonics, and RF noise.
- Input 120VAC (+10 % to -25 %), 60 Hz
- Output 120VAC (+/- 3 %).
- Provides circuit isolation.
- Noise Isolation (RF) of 120 db common mode, 60 db normal mode.
- Spike attenuation: 250:1 minimum.
- Sine wave output - total harmonic distortion (THD): 3 %
- Units also include a 2nd stage of high frequency filtering on the output - a Hammond Mfg. exclusive.
- Operating temperature range of -40 degrees C to +40 degrees C.
- Standard 3-wire, grounded plug & receptacle.
- Front panel lighted power switch.
- Input (primary) connected to an extra long 15 foot, heavy duty 14/3 SJTW cord for extreme temperature ranges.
- Integral molded, standard North American plug (NEMA 5-15P).
- Output (secondary) connected to a rear mounted, standard North American, grounded receptacle (NEMA 5-15R) - quantity depends on power capacity of unit (see table below).
- Rugged two piece ventilated steel enclosure.
- Finished in a grey/beige color, textured powder paint with rubber feet installed.
- NOTE 1: Due to the nature of ferroresonant designs - these units do produce audible noise. We have reduced this through careful design, but these units are NOT usable in an office environment.
- NOTE 2: These units provide complete isolation from the source voltage. In other words, the "neutral" output wire has no connection to ground, this is a UL requirement for this type of device. Therefore plug-in circuit testers & line "polarity" testing devices will NOT function on the output as it is completely isolated.
- North American Mark of Safety: C UL & UL listed (File #E211544).

Part No.	Capacity		Number of Rear Outlets	Dimensions (Inches)			Wt. Lbs.
	VA	Amps (RMS)		Height	Width	Depth	
CV120300	300	2.5	2	7.00	7.13	12.30	25.3
CV120600	600	5	4	9.00	10.13	19.50	48
CV1201200	1200	10	4	9.00	10.13	19.50	74
CV1201800	1800	15	6	12.00	12.13	20.50	95



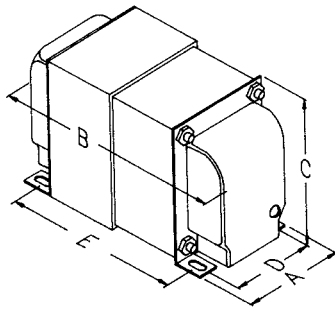
LINE ISOLATION STEP UP - PLUG IN (120V to 240V)

- Primary 120VAC, 50/60 Hz., Secondary 240VAC.
- Provides circuit isolation.
- Toroidal transformer for high isolation, low noise, light weight, cool operation and low profile.
- World wide applications, 50 or 60 Hz. operation, step UP (120VAC to 240 VAC).
- Standard 3-wire, grounded plug (for use with adaptors for proper grounding).
- Input (primary) connected to a 5 foot long cord & standard North American plug (NEMA 5-15P).
- Output (secondary) connected to a standard N. American duplex - 3 wire grounded receptacles (NEMA 6-15R).
- Features include ventilated black steel case, rocker lighted on-off switch & circuit breaker protected output.
- North American Mark of Safety - C UL & UL listed (File #E211544).
- **Remember** - These units do NOT convert line frequency.

Part No.	Capacity VA	# of Outlets	Dimensions (Inches)		
			Length	Width	Height
298CT	250	2	8.25	6.00	4.00
298DT	500	2	9.00	6.00	4.00
298ET	750	2	10.25	7.50	5.00
298FT	1000	2	10.25	7.50	5.00
298GT	1500	2	12.50	9.00	5.00

Isolation - Step Down

Plug In (172 & 289 Series)



LINE ISOLATION - STEP DOWN PLUG-IN TRANSFORMERS (230V to 115V)

- Primary 230VAC, 50/60 Hz. Secondary 115VAC
- Circuit breaker in primary.
- Provides circuit isolation & steps down primary voltage.
- Hi-pot tested to 2 KV RMS.
- Electrostatic shield between primary & secondary.
- Input (primary) connected to a 5 foot long cord & North American 250V, 3-wire grounded plug (NEMA 6-15P).
- Output (secondary) connected to a 1 foot long cord & standard North American 125V, 3-wire grounded receptacle (NEMA 5-15R).
- North American Mark of Safety - C UL & UL listed (File #E211544).
- **Remember** - These units do NOT convert line frequency

Part No.	Capacity VA	Dimensions (Inches)					Wt. Lbs.
		A	B	C	D	E	
172A	100	3.80	5.06	4.68	3.00	3.38	6.5
172B	200	3.80	5.56	4.68	3.00	3.88	8.5
172D	500	3.80	7.06	4.68	3.00	5.38	18.5
172E	750	4.40	8.70	5.39	3.50	6.78	30.0
172F	1000	5.28	7.75	6.38	4.25	4.38	34.5

Line Transformers



LINE ISOLATION - TOROIDAL STEP DOWN - PLUG IN (240V to 120V)

- Primary 240VAC, 50/60 Hz., Secondary 120VAC.
- Provides circuit isolation.
- Toroidal transformer for high isolation, low noise, light weight, cool operation and low profile.
- World wide applications, 50 or 60 Hz. operation, step down (240VAC to 120 VAC).
- Standard 3-wire, grounded plug (for use with adaptors for proper grounding).
- Input (primary) connected to a 5 foot long cord & standard 250V 2 pole, 3 wire - North American plug (NEMA 6-15P).
- Output (secondary) connected to two standard 125V, 3-wire grounded receptacles (NEMA 5-15R).
- Features include ventilated black steel case, rocker lighted on-off switch & circuit breaker protected output.
- North American Mark of Safety - C UL & UL listed (File #E211544)
- **Remember** - These units do NOT convert line frequency

Part No.	Capacity VA	# of Outlets	Dimensions (Inches)		
			Length	Width	Height
289CT	250	2	8.25	6.00	4.00
289DT	500	2	9.00	6.00	4.00
289ET	750	2	10.25	7.50	5.00
289FT	1000	2	10.25	7.50	5.00
289GT	1500	2	12.50	9.00	5.00

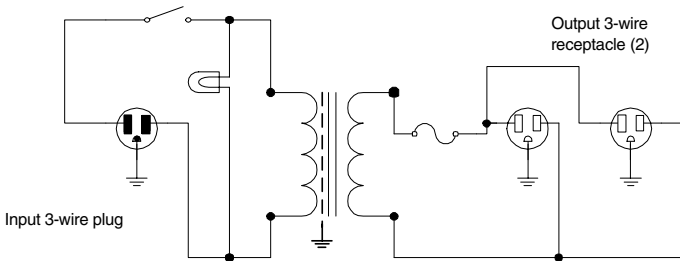




LINE ISOLATION STEP DOWN - PLUG IN (115V to 95V)

- Primary 115VAC, 50/60 Hz., Secondary 95VAC.
- Provides circuit isolation.
- Electrostatic shield between primary & secondary.
- World wide applications, 50 or 60 Hz. operation, step down (115VAC to 95VAC).
- Designed mainly for Japanese equipment operating in North America.
- Perfect for operating "Classic" equipment that can not tolerate today's higher line voltages (ie..125VAC input will produce a stress free 105VAC output - at full load - PLUS - isolation and shielding).
- Standard 3-wire, grounded plug (can also be used with adaptors for proper grounding).
- Input (primary) connected to a 5 foot long cord and standard 3-wire, 125V North American plug (NEMA 5-15P).
- Output (secondary) connected to two standard 3-wire, 125V grounded receptacles (NEMA 5-15R).
- Features include ventilated black steel case, rocker lighted on-off switch & fuse protected output.
- **Remember** - These units do NOT convert line frequency

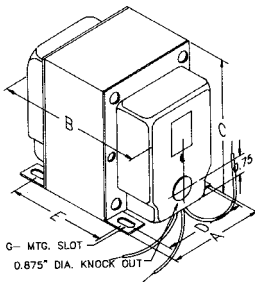
Part No.	Capacity VA	# of Outlets	Dimensions (Inches)		
			Length	Width	Height
179C	250	2	6.00	6.75	4.75
179D	500	2	6.00	8.25	4.75
179E	750	2	7.00	8.25	5.38
179F	1000	2	7.00	9.75	5.38
179G	1500	2	8.50	9.00	6.75



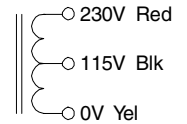


HARD WIRED LINE AUTOTRANSFORMERS

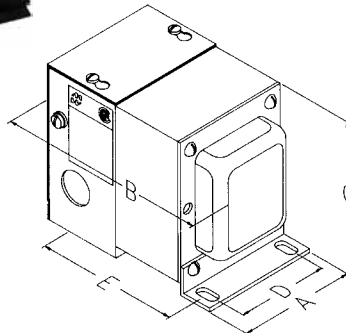
- Single winding, does not provide isolation, for use where equipment is already isolated and only voltage change is required.
- Flexible world wide applications, 50 or 60 Hz. operation, step down (230VAC to 115 VAC) or step up (115VAC to 230VAC).
- Connection by flexible leads, 8" minimum length.
- Models 170A, 170B, 170C & 170D are CSA certified (# LR 3902).
- **Remember** - These units do NOT convert line frequency.



Part No.	Capacity VA	Dimensions (Inches)					Wt. Lbs.
		A	B	C	D	E	
170	50	2.19	2.63	2.63	1.75	1.56	2
170A	100	2.50	3.00	3.06	2.00	1.94	3
170B	200	3.13	3.50	3.81	2.50	2.19	4.5
170C	300	3.13	4.00	3.81	2.50	2.69	6
170D	500	3.75	4.50	4.56	3.00	3.31	10
170E	750	3.75	5.50	4.56	3.00	4.31	14
170F	1000	3.75	5.50	4.56	3.00	4.31	14.5
170G	1500	4.38	6.63	5.30	3.50	5.10	22
170J	2000	4.38	6.63	5.25	3.50	5.10	23



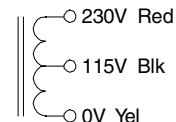
Line Transformers

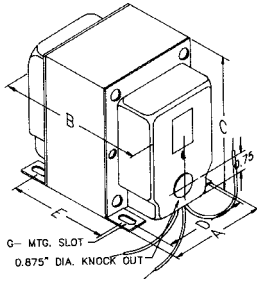


HARD WIRED LINE AUTOTRANSFORMERS

- Single winding, does not provide isolation, for use where equipment is already isolated and only voltage change is required.
- Flexible world wide applications, 50 or 60 Hz. operation, step down (230VAC to 115 VAC) or step up (115VAC to 230VAC).
- Totally enclosed rear case, includes handy internal grounding bolt.
- Extra vacuum varnish for use in high humidity.
- Includes a rear mounted (but not wired), standard 115VAC, 3-wire receptacle.
- Enclosed case with convenient knockouts and includes two cable clamps allowing for easy wire connections.
- Models 170SE, 170AE, 170BE, 170CE & 170DE are CSA certified (# LR3902)
- Connection by flexible leads, 8" minimum length
- **Remember** - These units do NOT convert line frequency.

Part No.	Capacity VA	Dimensions (Inches)					Wt. Lbs.
		A	B	C	D	E	
170SE	50	3.13	4.00	4.13	2.25	3.13	3.5
170AE	100	3.13	4.00	4.13	2.25	3.13	4
170BE	200	3.13	4.25	4.13	2.25	3.38	5
170CE	300	3.13	4.75	4.13	2.25	3.88	6.5
170DE	500	3.75	5.00	4.88	2.75	4.13	10
170EE	750	3.75	6.00	4.88	2.75	5.13	15
170FE	1000	3.75	6.00	4.88	2.75	5.13	15.5
170GE	1500	4.38	7.00	5.50	3.25	5.88	23.5
170JE	2000	4.38	7.00	5.50	3.25	5.88	24.0

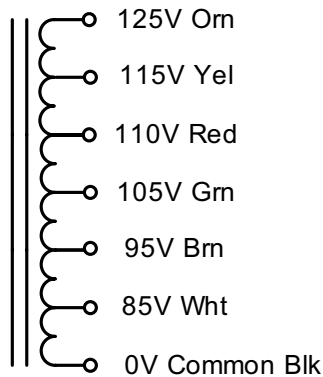




**HARD WIRED
LINE AUTOTRANSFORMERS**

- Single winding, does not provide isolation, for use where equipment is already isolated and only voltage change is required.
- Flexible world wide applications, 50 or 60 Hz. operation, 115VAC input.
- Output taps @ 85, 95, 105, 110, 115 and 125VAC.
- Ideal for manual line voltage adjustment for electronic equipment or small appliance operation.
- Models 168B, 168C & 168D are CSA certified (# LR3902)
- Connection by flexible leads, 8" minimum length.
- **Remember** - These units do NOT convert line frequency.

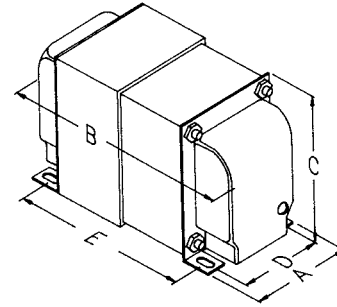
Part No.	Capacity VA	Dimensions (Inches)					Wt. Lbs.
		A	B	C	D	E	
168B	200	3.13	3.25	3.81	2.50	1.94	4.3
168C	350	3.13	4.00	3.81	2.50	2.69	6.5
168D	500	3.75	4.00	4.56	3.00	2.81	8
168E	750	3.75	4.50	4.56	3.00	3.31	10
168F	1000	3.75	5.50	4.56	3.00	4.31	14
168H	1500	4.38	6.13	5.25	3.50	4.50	20
168J	2000	4.38	6.63	5.25	3.50	5.10	23



Line Transformers

"Auto" Step Down

Plug In (175 Series)

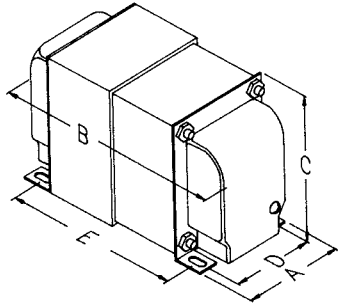


PLUG IN - STEP DOWN AUTOTRANSFORMERS (230V to 115V)

- Single winding, does not provide isolation, for use where equipment is already isolated and only voltage change is required.
- World wide applications, 50 or 60 Hz. operation, step down (230VAC to 115VAC).
- Input is circuit breaker protected.
- Hi-pot tested to 2 KV RMS.
- Standard 3-wire, grounded plug (can also be used with adaptors for proper grounding).
- Input connected to a 5 foot cord & grounded North American 250V 3-wire plug (NEMA 6-15P).
- Output connected to standard North American 115V - 3 wire grounded receptacle (NEMA 5-15R).
- North American Mark of Safety - C UL & UL listed - File #E211544
- **Remember** - These units do NOT convert line frequency.

Part No.	Capacity VA	Dimensions (Inches)					Wt. Lbs.
		A	B	C	D	E	
175A-NA	100	3.16	4.25	3.81	2.50	2.94	3.5
175B-NA	200	3.16	4.50	3.81	2.50	3.19	4.5
175C-NA	300	3.16	5.00	3.81	2.50	3.69	6
175D-NA	500	3.80	6.00	4.68	3.00	4.38	10
175E-NA	750	3.80	7.06	4.68	3.00	5.38	14
175F-NA	1000	3.80	7.06	4.68	3.00	5.38	14.5
175G-NA	1500	4.40	6.63	5.39	3.50	6.09	22





Autotransformer Step Up - Plug In (115V to 230V)

- Single winding, does not provide isolation, for use where equipment is already isolated and only voltage change is required.
- World wide applications, 50 or 60 Hz. operation, step up (115VAC to 230VAC).
- Input is circuit breaker protected.
- Hi-pot tested to 2 KV RMS
- Standard 3-wire, grounded plug (can also be used with adaptors for proper grounding).
- Input is connected to a 5 foot cord & standard grounded 125V North American plug (NEMA 5-15P)
- Output is connected to a grounded North American 250V receptacle (NEMA 6-15R).
- North American Mark of Safety - C UL & UL listed (File #E211544)
- **Remember** - These units do NOT convert line frequency.

Part No.	Capacity VA	Dimensions (Inches)					Wt. Lbs.
		A	B	C	D	E	
176A	120	3.16	4.25	3.81	2.50	2.94	3.5
176B	200	3.16	4.50	3.81	2.50	3.19	4.5
176C	300	3.16	5.00	3.81	2.50	3.69	6
176D	500	3.80	6.00	4.68	3.00	4.38	10
176E	750	3.80	7.06	4.68	3.00	5.38	14
176F	1000	3.80	7.06	4.68	3.00	5.38	14.5
176G	1500	4.40	6.63	5.39	3.50	6.09	22



INTERNATIONAL - GROUNDED ADAPTOR PLUGS

- For use with our 171, 172, 175, 176, 179, 289 & 298 transformers.
- Heavy duty design with plastic shell & double wipe contacts.
- Allows for ground connection between equipment and international power sources.
- With a set of all 4 adaptors, they will accept equipment with plugs from virtually every country except South Africa!
- **Adaptors do not affect voltages, they are a mechanical device only to match foreign “pin-outs” of receptacles and/or plugs.**



Rear View of all adaptors

Part No.	Grounded Plug Type	Used in the Countries of:
298G4	European	Austria, Belgium, Finland, France, Germany, Middle East, Netherlands, Norway, Parts of Africa/Asia/South America/China/Tahiti & Caribbean, Sweden
298G3	British	Hong Kong, Ireland, Malaysia, Parts of Africa, Caribbean, Singapore, U.K.
298G6	Australian	Australia, People's Republic of China, S. Pacific Islands, New Zealand
298G7	N. American	Canada, Parts of the Caribbean/South America, Philippines, USA
298G8	N. American	Canada, USA



298G8



298G4



298G3



298G6



298G7



Accessories



Accessories



Single Receptacle
15A / 125 VAC

Part No.	1584SR
----------	--------



Single Receptacle
20A / 125 VAC

Part No.	1584SR20
----------	----------



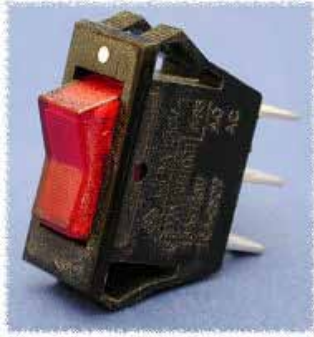
Circuit Breaker
15A / 125 VAC

Part No.	1584B15
----------	---------



Circuit Breaker
20A / 125 VAC

Part No.	1584B20
----------	---------



Lighted Rocker Switch
15A / 125 VAC

Part No.	1584S3
-----------------	---------------



Rocker Switch
20A / 125 VAC

Part No.	1584S20
-----------------	----------------



Indicator Light with Leads
125 VAC

Part No.	1584PL
-----------------	---------------



Power Cord (SJT or SJTW) & Plug (NEMA 5-15P)
14/3 - 15 Amp

- Straight Blade Molded Plug

Part No.	Cord Length
1584C6	6.5'
1584C15	15.5'



Power Cord (SJT or SJTW) & 90 Degree Plug (NEMA 5-15P)

14/3 - 15 Amp

- Straight Blade Molded Plug

Part No.	Cord Length
1584C6RP	6.5'
1584C15RP	15.5'



Power Cord (SJT or SJTW) & Plug (NEMA 5-20P)

12/3 - 20 Amp

- Straight Blade Molded Plug

Part No.	Cord Length
1584C6S20	6.5'
1584C15S20	15.5'



Power Cord (SJT or SJTW) & Plug (NEMA L5-15P)

14/3 - 15 Amp

- Locking Molded Plug

Part No.	Cord Length
1584C6TW	6.5'
1584C15TW	15.5'



Power Cord (SJT or SJTW) & Plug (NEMA L5-20P)

12/3 - 20 Amp

- Locking Molded Plug

Part No.	Cord Length
1584C6TW20	6.5'
1584C15TW20	15.5'

Mounting Clips



- Steel mounting clips (black) mount to rack cabinet struts, relay rack uprights or work bench
- Mounting clip snaps around extrusion case of outlet strip.
- Included with all vertical rack mount strips
- Includes three sets of hardware to mount to rack cabinet anhal struts (with spring nuts), relay rack uprights or a work bench (with wood screws)

Part No.	1585CLIP
-----------------	-----------------

Vertical Mounting Clips



- Allows vertical mounting of outlet strips in our rack cabinets with anhal struts
- Works with our 1581, 1584 and 1589 series of outlet strips
- Set of two
- Includes mounting hardware

Part No.	1584MK1
-----------------	----------------



HAMMOND MANUFACTURING™

Printed in Canada.



Canada

Hammond Mfg. Co. Ltd.
394 Edinburgh Road North
Guelph, Ontario N1H 1E5
Tel: (519) 822-2960
or (905) 456-3770
Fax: (519) 822-0715

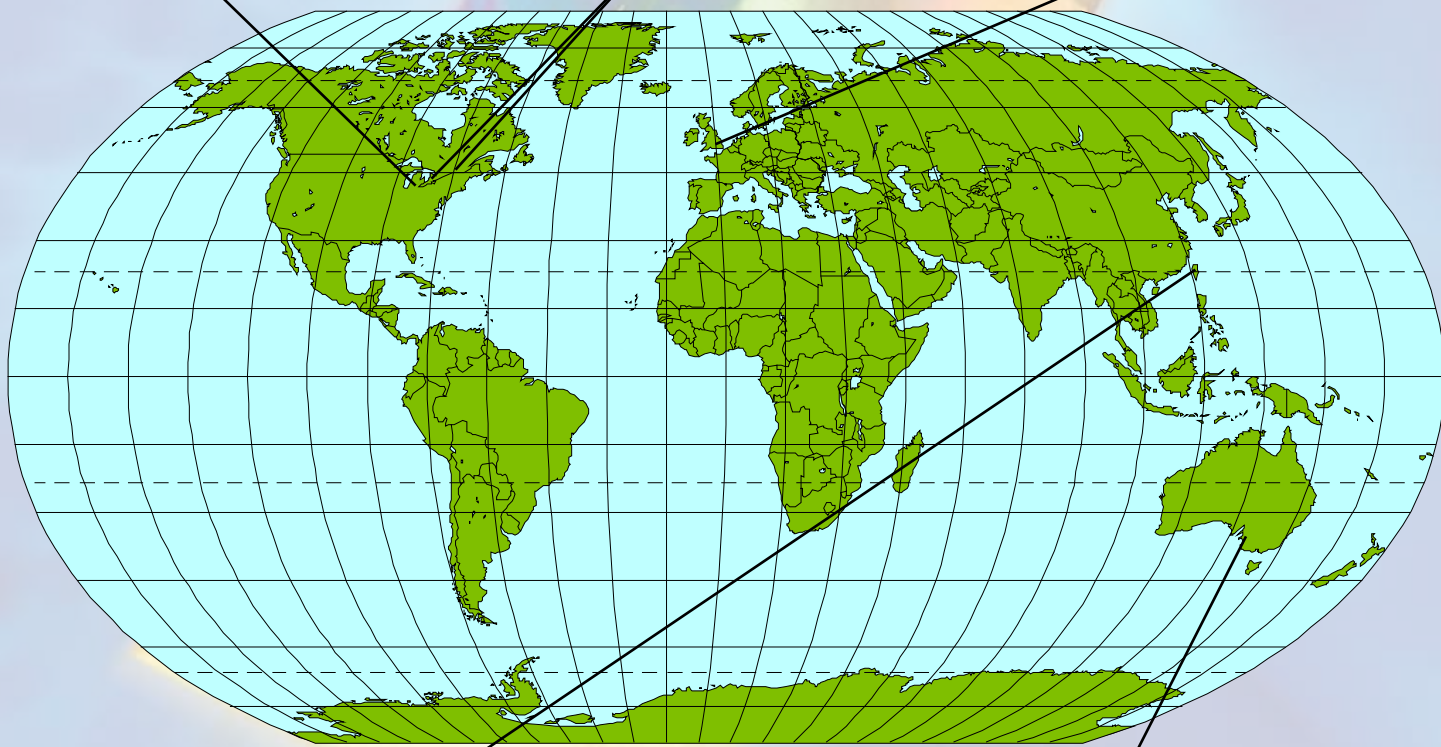
Les Fabrications Hammond
(Quebec) Inc.
4240 Seré Street
St. Laurent, Quebec H4T 1A6
Tel: (514) 343-9010
Fax: (514) 343-9941

USA

Hammond Mfg. Co. Inc.
475 Cayuga Road
Cheektowaga, NY 14225
Tel: (716) 630-7030
Fax: (716) 630-7042

Europe

Hammond Electronics Limited
1 Onslow Close
Kingsland Business Park
Basingstoke, Hampshire
RG24 8QL
United Kingdom
Tel: 01256 812812
Fax: 01256 332249



Asia

RITEC Enclosures Inc.
10F., No. 81, Sec. 1, Kuang Fu Road
San Chung City, Taipei 241
Taiwan
Tel: +886 - 2 - 2999 8918
Fax: +886 - 2 - 2999 8955

Australia

Hammond Electronics Pty. Ltd.
ABN 13 099 121 981
11-13 Port Road
Queenstown, SA 5014
Australia
Tel: 61-8-8240-2244
Fax: 61-8-8240-2255

www.hammondmfg.com