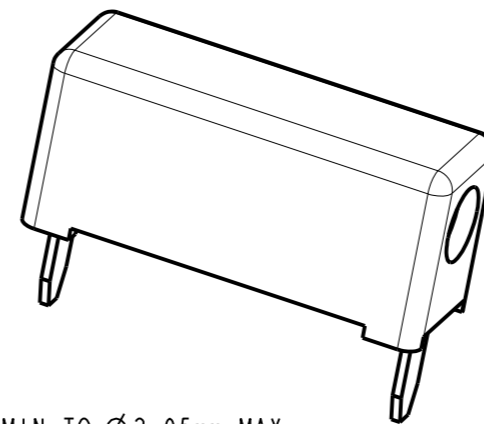
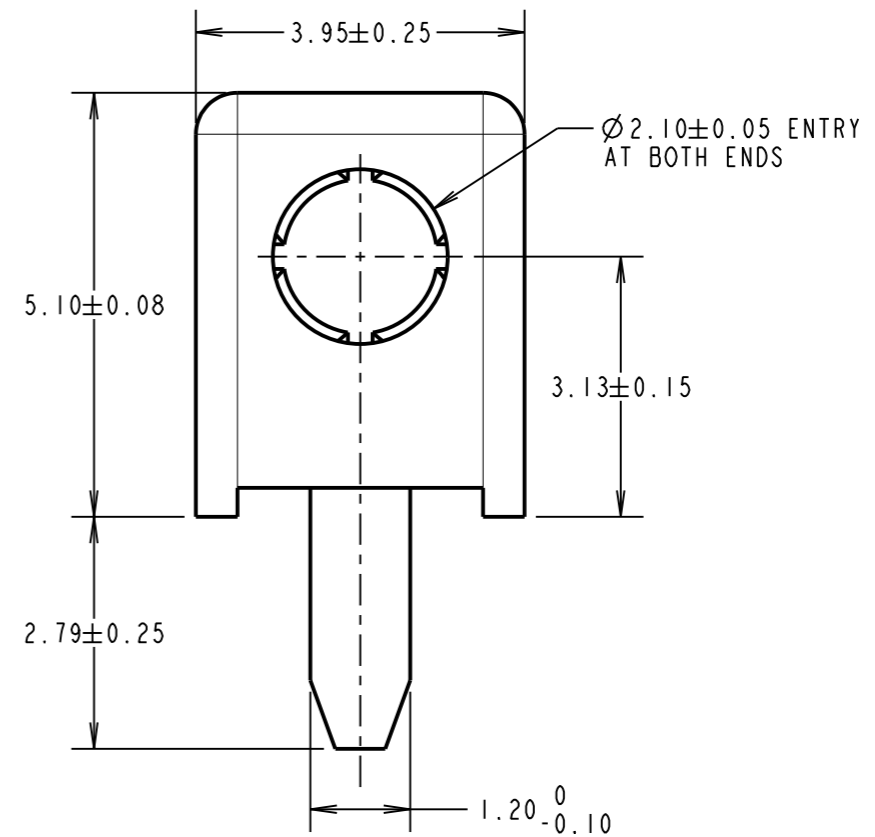
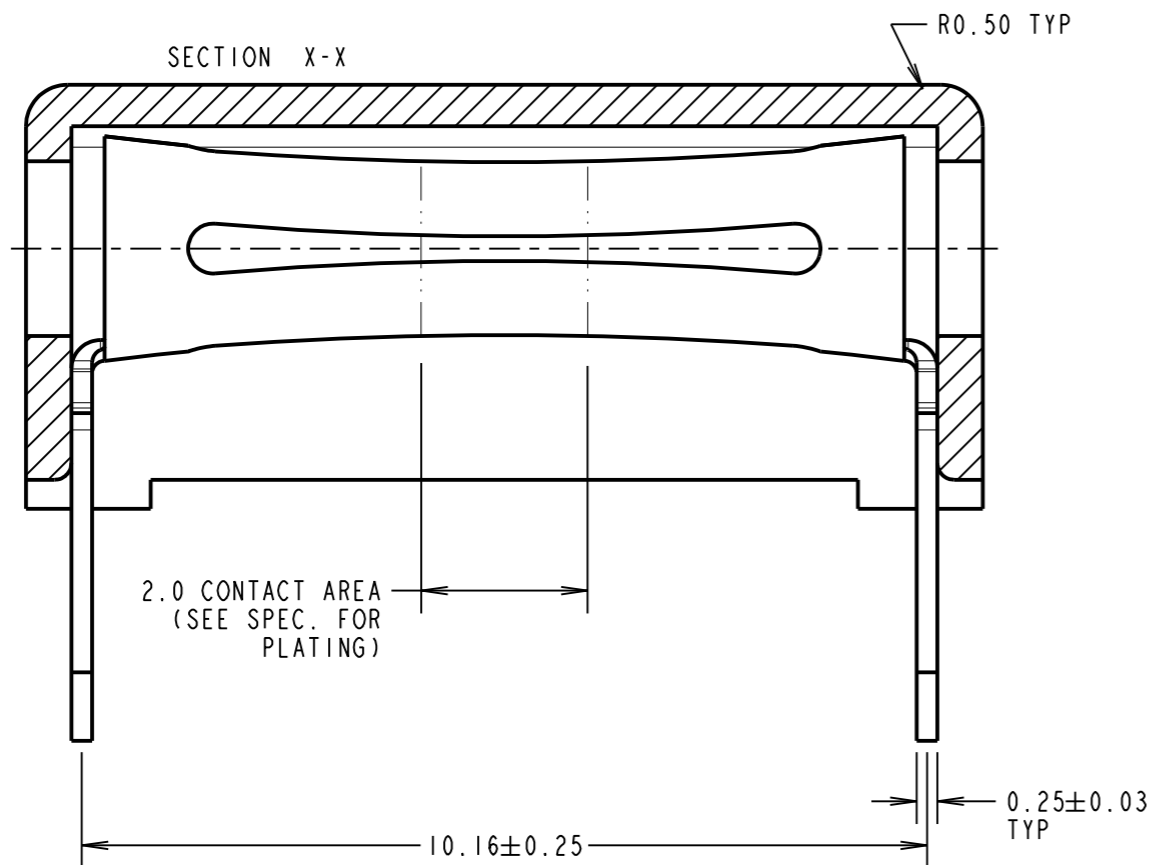
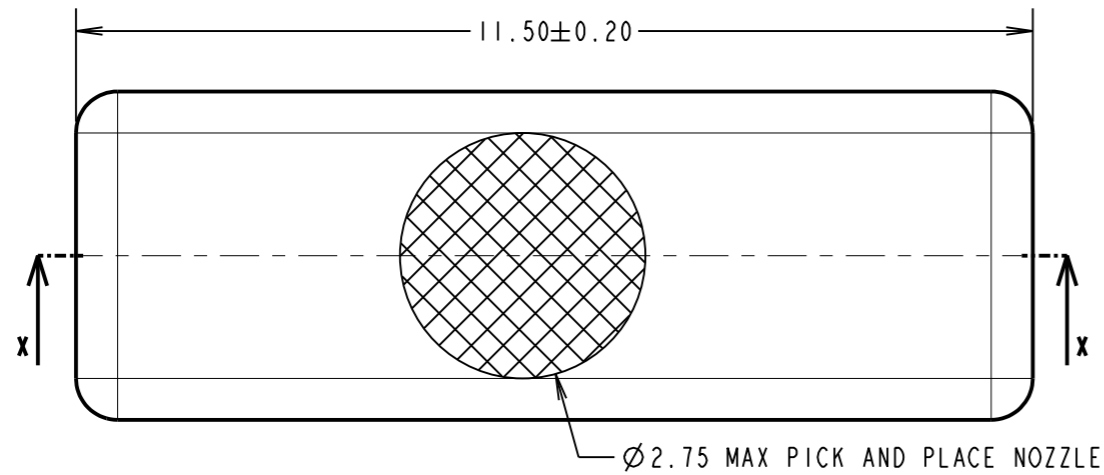


Customer Information Sheet

DRAWING No.: M3498-XX SHEET 2 OF 2 IF IN DOUBT - ASK © NOT TO SCALE THIRD ANGLE PROJECTION ALL DIMENSIONS IN mm



SPECIFICATION:
MATERIALS:
 INSULATOR = PA9T, HIGH TEMPERATURE THERMOPLASTIC, UL94V-0
 CONTACT = PHOSPHOR BRONZE
FINISH:
 CONTACT = 1.00µ - 3.05µ NICKEL ALL OVER, 0.254µ GOLD ON CONTACT AREA, GOLD FLASH ON TAILS.

ELECTRICAL:
 CURRENT RATING = 5A
 VOLTAGE RATING = 1,500V AC/DC
 INSULATION RESISTANCE = 1000MΩ MIN
 CONTACT RESISTANCE = 5mΩ MAX

MECHANICAL:
 INSERTION FORCE = 22.2N MAX (Ø2.03mm PROBE)
 WITHDRAWAL FORCE = 2.2N MIN (Ø2.03mm PROBE)
 DURABILITY = 100 CYCLES

ENVIRONMENTAL:
 OPERATING TEMPERATURE = -40°C TO +105°C

PACKAGING:
 TUBE

NOTES:
 1. RECOMMENDED MATING PROBE: Ø2.01mm MIN TO Ø2.05mm MAX.

ORDER CODE:
M3498-XX
 MOULD COLOUR:
 WHITE = 94
 BLACK = 98
 RED = 99

SB	5	10.04.14	12442
NAME	ISS.	DATE	C/NOTE
APPROVED:		S.BENNETT	
CHECKED:		S.FLOWER	
DRAWN:		S.BENNETT	
CUSTOMER REF.:			
ASSEMBLY DRG:			

 www.harwin.com technical@harwin.com	THIS DRAWING AND ANY INFORMATION OR DESCRIPTIVE MATTER SET OUT HEREON ARE CONFIDENTIAL AND COPYRIGHT PROPERTY OF THE HARWIN GROUP AND MUST NOT BE DISCLOSED, LOANED, COPIED OR USED FOR MANUFACTURING, TENDERING OR FOR ANY OTHER PURPOSE WITHOUT THEIR WRITTEN PERMISSION.	TOLERANCES	MATERIAL:	TITLE:
		X. = ±1mm X.X = ±0.50mm X.XX = ±0.10mm X.XXX = ±0.01mm ANGLES = ±5° UNLESS STATED	SEE ABOVE	PC TAIL TEST JACK
		FINISH: SEE ABOVE	S/AREA: mm ²	DRAWING NUMBER: M3498-XX
				SHT 2 OF 2