

# Customer Information Sheet

DRAWING No.: G125-304XX96L0

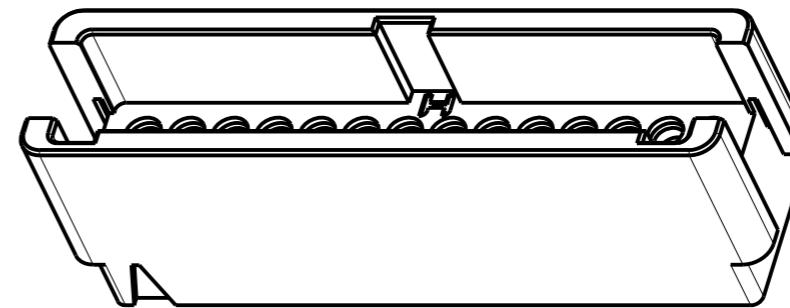
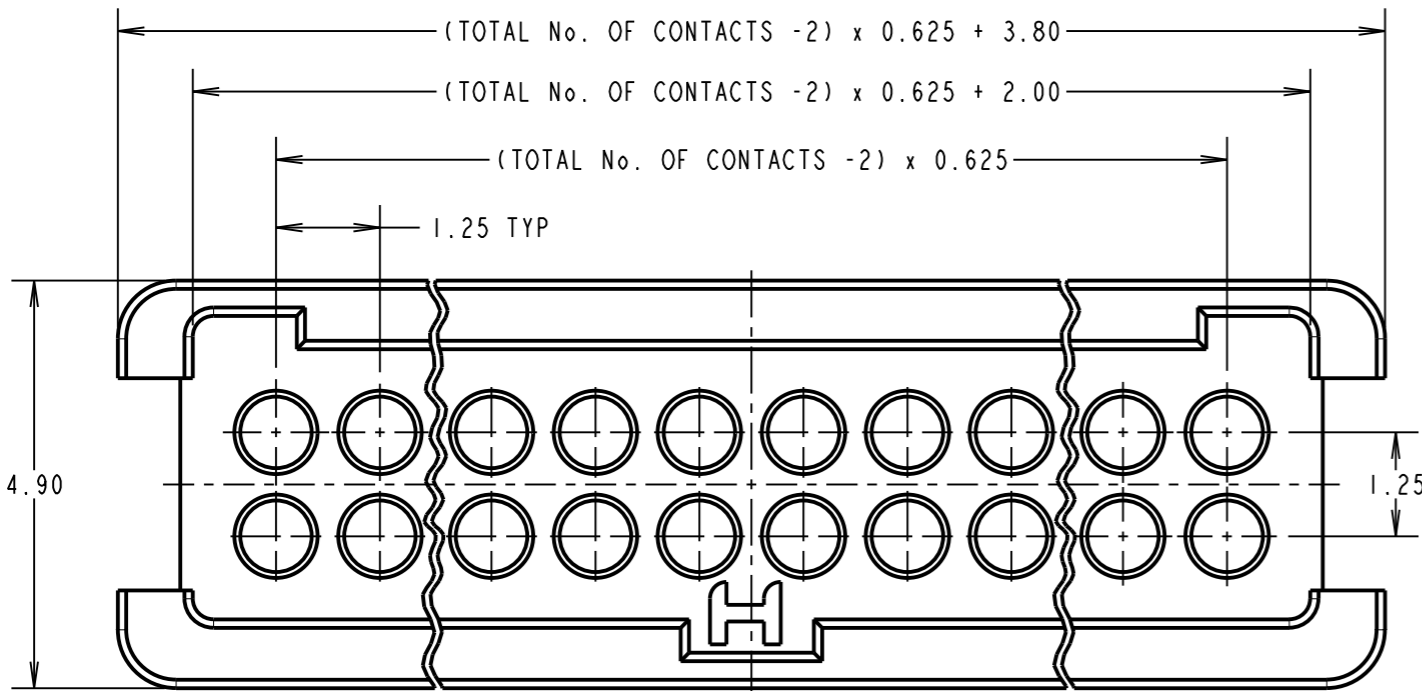
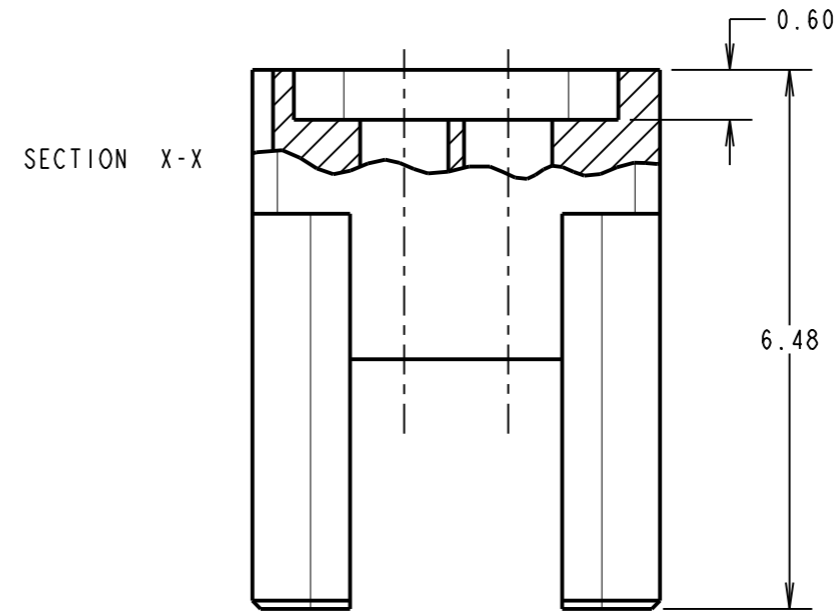
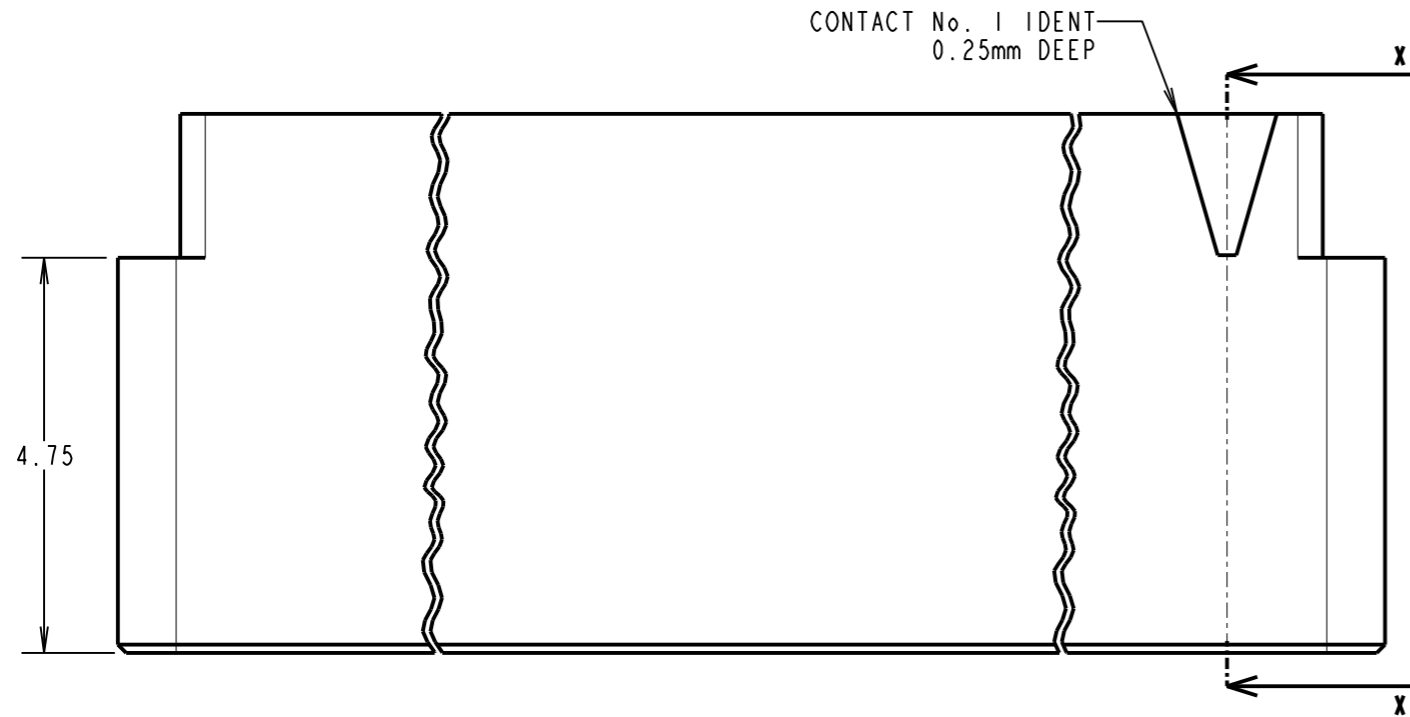
IF IN DOUBT - ASK

©

NOT TO SCALE

THIRD ANGLE PROJECTION

ALL DIMENSIONS IN mm



PATENT PENDING - UK 1205109.0

PRODUCT CODE:  
**G125-304XX96L0**

TOTAL No. OF CONTACTS \_\_\_\_\_  
12, 16, 20, 26

SF	B	05.11.12	11860
NAME	ISS.	DATE	C/NOTE
APPROVED:		S.FLOWER	
CHECKED:		S.BENNETT	
DRAWN:		S.FLOWER	
CUSTOMER REF.:			
ASSEMBLY DRG:			

- NOTES:
1. PACK SIZE: 10 PER BAG.
  2. MOULDING TO BE USED WITH G125-1010005 AND G125-1020005 MALE CRIMP CONTACTS.
  3. FOR ASSEMBLY INSTRUCTIONS SEE INSTRUCTION SHEET IS-38.

**HARWIN**

www.harwin.com  
technical@harwin.com

THIS DRAWING AND ANY INFORMATION OR DESCRIPTIVE MATTER SET OUT HEREON ARE CONFIDENTIAL AND COPYRIGHT PROPERTY OF THE HARWIN GROUP AND MUST NOT BE DISCLOSED, LOANED, COPIED OR USED FOR MANUFACTURING, TENDERING OR FOR ANY OTHER PURPOSE WITHOUT THEIR WRITTEN PERMISSION.

TOLERANCES  
X. = ±1mm  
X.X = ±0.25mm  
X.XX = ±0.10mm  
X.XXX = ±0.01mm  
ANGLES = ±5°  
UNLESS STATED

MATERIAL:  
SEE SHEET 3  
FINISH: SEE SHEET 3  
S/AREA: mm<sup>2</sup>

TITLE: G125 SERIES MALE CRIMP MOULDING WITH POTTING WALL, WITHOUT LATCHES

DRAWING NUMBER:  
**G125-304XX96L0**

SHT  
2 OF 3

# Customer Information Sheet

DRAWING No.: G125-SERIES COMPONENT SPECIFICATION    IF IN DOUBT - ASK    (C)    NOT TO SCALE    THIRD ANGLE PROJECTION    ALL DIMENSIONS IN mm

**SPECIFICATIONS:**

- \* EIA-364-01A : 2000: ACCELERATION: 490 mm/s<sup>2</sup> (50G)
- \* BUMP SEVERITY: 390 mm/s<sup>2</sup> (40G), 4000± 10 BUMPS
- \* TESTED WITH LATCHED CONNECTORS

**MATERIALS:**

MOULDING, PICK & PLACE CAP:  
 POLYAMIDE, PA4T-GF30 FR(40) UL94V-0,  
 HALOGEN FREE, FREE OF RED PHOSPHORUS

**ELECTRICAL:**

**CURRENT RATING:**

- EIA-364-70A : 1998: INDIVIDUAL CONTACT IN ISOLATION AT 25°C = 2.8A MAX
- EIA-364-70A : 1998: ALL CONTACTS SIMULTANEOUSLY AT 25°C = 2.0A MAX

**CONTACTS:**

MALE PC-TAIL/SMT = PHOSPHOR BRONZE  
 MALE CRIMP = BRASS  
 ALL FEMALE CONTACTS = COPPER ALLOY

**CONTACT RESISTANCE:**

- EIA-364-06C : 2006: INITIAL CONTACT RESISTANCE = 20mΩ MAX
- EIA-364-06C : 2006: CONTACT RESISTANCE AFTER CONDITIONING = 25mΩ MAX

**LATCHES:**

COPPER NICKEL TIN ALLOY

**WORKING VOLTAGE:**

- EIA-364-20C : 2004: SEA LEVEL (1006mbar) = 450V AC/DC PEAK
- EIA-364-20C : 2004: ALTITUDE LEVEL (44mbar) = 250V AC/DC PEAK

**FINISH:**

ALL CONTACTS:  
 0.2-0.3µ GOLD OVER NICKEL  
 LATCHES:  
 3.0µ 100% TIN OVER NICKEL

VOLTAGE PROOF AT SEA LEVEL (1013mbar) = 600V AC/DC PEAK

**MECHANICAL:**

DURABILITY = 1000 OPERATIONS  
 INSERTION FORCE = 2.8N MAX  
 WITHDRAWAL FORCE = 0.2N MIN

**INSULATION RESISTANCE:**

- EIA-364-21C : 2000: INSULATION RESISTANCE (INITIAL) = 10 GΩ MIN AT 500V DC
- EIA-364-21C : 2000: INSULATION RESISTANCE (AFTER CONDITIONING) = >1 GΩ MIN AT 500V DC

FOR FULL COMPONENT SPECIFICATION SEE C125XX (LATEST ISSUE).

**ENVIRONMENTAL:**

CLASSIFICATION: 65/150/96 HOURS AT 95% RH

**TEMPERATURE RANGE:**

EIA-364-32 : 2000 TEST CONDITION IV, DWELL  
 30mins, 5 CYCLES -65°C TO +150°C

- \* EIA-364-28D : 1999: TEST CONDITION IV: VIBRATION SEVERITY:  
 10Hz TO 2000Hz, 1.5MM, 198 mm/s<sup>2</sup> (20G). DURATION 2Hr
- \* EIA-364-27B : 1996: TEST CONDITION E SHOCK SEVERITY: 981 mm/s<sup>2</sup>  
 (100G) FOR 6ms IN Z AXIS, 490 mm/s<sup>2</sup> (50G) FOR 11ms IN X&Y AXIS.



PATENT PENDING - UK 1205109.0

SF	05.11.12	11860
NAME	DATE	C/NOTE
APPROVED:	S.FLOWER	
CHECKED:	M.PLESTED	
DRAWN:	S.FLOWER	

**HARWIN**

www.harwin.com  
 technical@harwin.com

THIS DRAWING AND ANY INFORMATION OR DESCRIPTIVE MATTER SET OUT HEREON ARE CONFIDENTIAL AND COPYRIGHT PROPERTY OF THE HARWIN GROUP AND MUST NOT BE DISCLOSED, LOANED, COPIED OR USED FOR MANUFACTURING, TENDERING OR FOR ANY OTHER PURPOSE WITHOUT THEIR WRITTEN PERMISSION.

**TOLERANCES**  
~~X = ±1mm  
 X.X = ±0.25mm  
 X.XX = ±0.10mm  
 X.XXX = ±0.01mm  
 ANGLES = ±5°  
 UNLESS STATED~~

**MATERIAL:**

SEE ABOVE

**FINISH:**

SEE ABOVE

**TITLE:**

G125 SERIES COMPONENT SPECIFICATION

**DRAWING NUMBER:**

**G125-SERIES CONNECTORS**

SHT  
 3  
 OF  
 3