

# Customer Information Sheet

DRAWING No.: D3081-XX

SHEET 2 OF 2

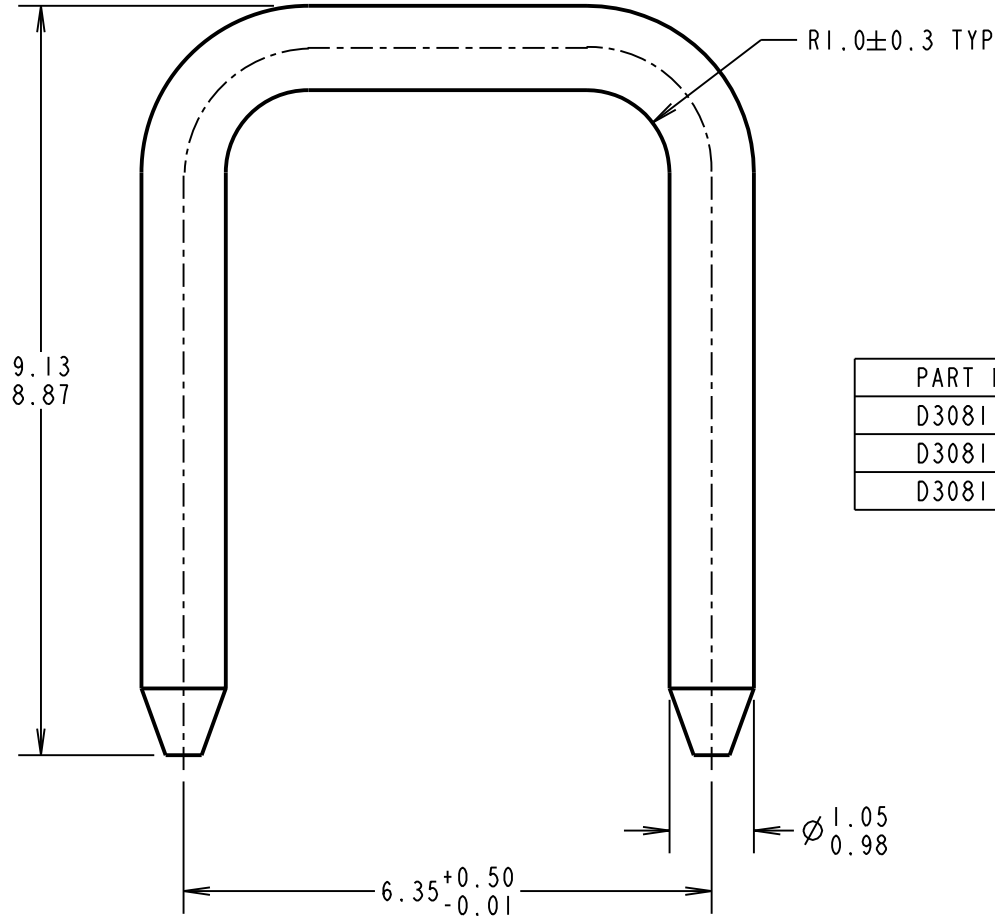
IF IN DOUBT - ASK

©

NOT TO SCALE

THIRD ANGLE PROJECTION

ALL DIMENSIONS IN mm



ORDER CODE:

**D3081-XX**

FINISH:

01 = 100% MATTE TIN  
05 = GOLD FLASH  
46 = 100% BRIGHT TIN

PART No.	FINISH
D3081-01	2.54 $\mu$ 100% MATTE TIN OVER 0.76 $\mu$ NICKEL UNDERCOAT
D3081-05	GOLD FLASH OVER 0.76 $\mu$ NICKEL UNDERCOAT
D3081-46	2.54 $\mu$ 100% BRIGHT TIN OVER 0.76 $\mu$ NICKEL UNDERCOAT

SB	11	18.12.12	11891
NAME	ISS.	DATE	C/NOTE
APPROVED:		S.BENNETT	
CHECKED:		S.FLOWER	
DRAWN:		C. HANSEN	
CUSTOMER REF.:			
ASSEMBLY DRG:			
D3087-XX			

## HARWIN

www.harwin.com  
technical@harwin.com

THIS DRAWING AND ANY INFORMATION OR DESCRIPTIVE MATTER SET OUT HEREON ARE CONFIDENTIAL AND COPYRIGHT PROPERTY OF THE HARWIN GROUP AND MUST NOT BE DISCLOSED, LOANED, COPIED OR USED FOR MANUFACTURING, TENDERING OR FOR ANY OTHER PURPOSE WITHOUT THEIR WRITTEN PERMISSION.

### TOLERANCES

X. = ±1mm  
X.X = ±0.25mm  
X.XX = ±0.10mm  
X.XXX = ±0.01mm

ANGLES = ±5°

UNLESS STATED

### MATERIAL:

BRASS C2600

FINISH: SEE ABOVE

S/AREA: mm<sup>2</sup>

### TITLE:

1mm SHORTING LINK

DRAWING NUMBER:

**D3081-XX**

SHT  
2  
OF  
2