

Customer Information Sheet

DRAWING No.: D830XXC-46

SHEET 2 OF 2

IF IN DOUBT - ASK

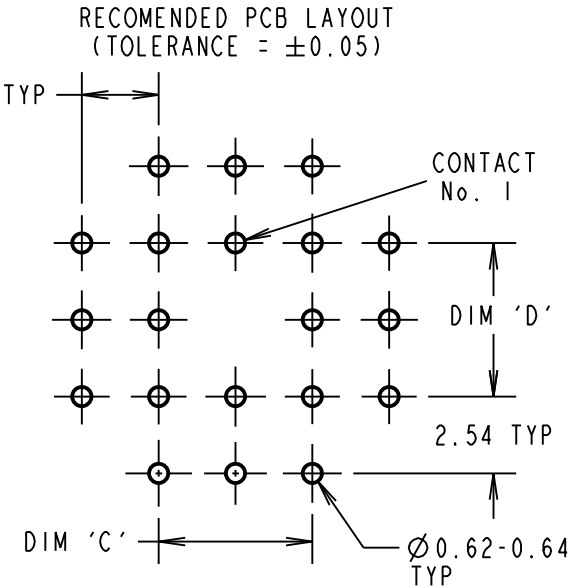
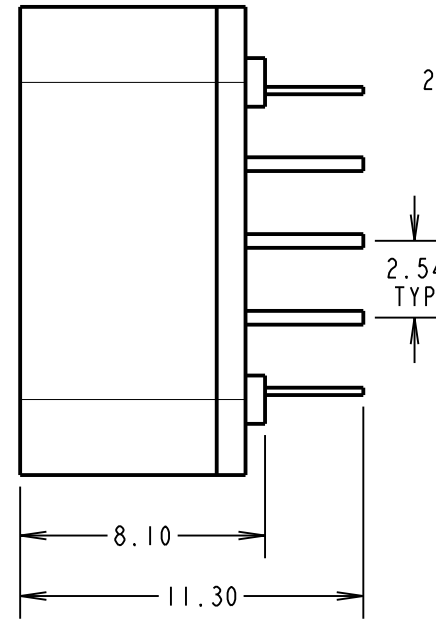
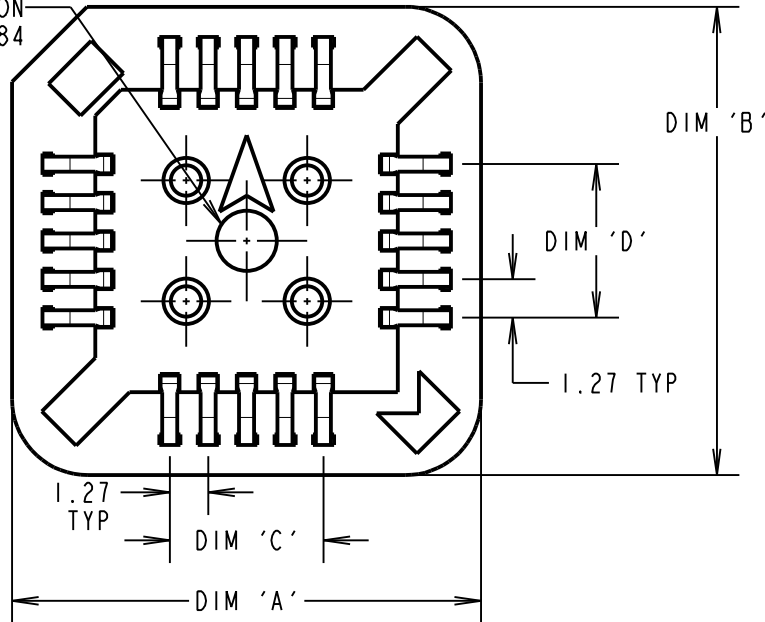
©

NOT TO SCALE

THIRD ANGLE PROJECTION

ALL DIMENSIONS IN mm

FOUR HOLES ON
44, 52, 62, 84



SPECIFICATION:

MATERIAL:

MOULDING = PPS (BROWN) UL94V-0
CONTACTS = PHOSPHOR BONZE

FINISH:

46 = 100% TIN OVER NICKEL

ELECTRICAL

CURRENT RATING = 1A
CONTACT RESISTANCE = 30mΩ MAX
INSULATION RESISTANCE = 1000MΩ MIN
DIELECTRIC STRENGTH = 600V AC (1 MINUTE)

ENVIRONMENTAL:

OPERATING TEMPERATURE = -55°C TO +105°C
SOLDERING TEMPERATURE = 260°C FOR 5 SECONDS

PACKING: TUBE

NOTES:

- FOR ELECTRICAL AND MECHANICAL SPECIFICATION SEE COMPONENT SPECIFICATION C020XX (LATEST ISSUE).
- ALL TOLERANCES ARE ±0.15 UNLESS OTHERWISE STATED.

ORDER CODE:

D830XXC-46

NUMBER OF CONTACTS: _____
(SEE TABLE)

FINISH: _____
46 = 100% TIN

No. OF CONTACTS	DIM 'A'	DIM 'B'	DIM 'C'	DIM 'D'
20	15.50	15.50	5.08	5.08
28	18.04	18.04	7.62	7.62
32	18.04	20.54	7.62	10.16
44	23.48	23.48	12.70	12.70
52	25.88	25.88	15.24	15.24
68	31.04	31.04	20.32	20.32
84	36.04	36.04	25.40	25.40

MSP	11	30.03.15	12826
NAME	ISS.	DATE	C/NOTE
APPROVED: M.PERREN			
CHECKED: S.BENNETT			
DRAWN: M.PERREN			
CUSTOMER REF.:			
ASSEMBLY DRG:			

HARWIN

www.harwin.com
technical@harwin.com

THIS DRAWING AND ANY INFORMATION OR DESCRIPTIVE MATTER SET OUT HEREON ARE CONFIDENTIAL AND COPYRIGHT PROPERTY OF THE HARWIN GROUP AND MUST NOT BE DISCLOSED, LOANED, COPIED OR USED FOR MANUFACTURING, TENDERING OR FOR ANY OTHER PURPOSE WITHOUT THEIR WRITTEN PERMISSION.

TOLERANCES

X. = ±1mm
X.X = ±0.50mm
X.XX = ±0.10mm
X.XXX = ±0.01mm
ANGLES = ±5°
UNLESS STATED

MATERIAL:

SEE ABOVE

FINISH: SEE ABOVE

S/AREA: mm²

TITLE:

LOW PROFILE PC TAIL
PLCC SOCKET

DRAWING NUMBER:

D830XXC-46

SHT
2 OF 2