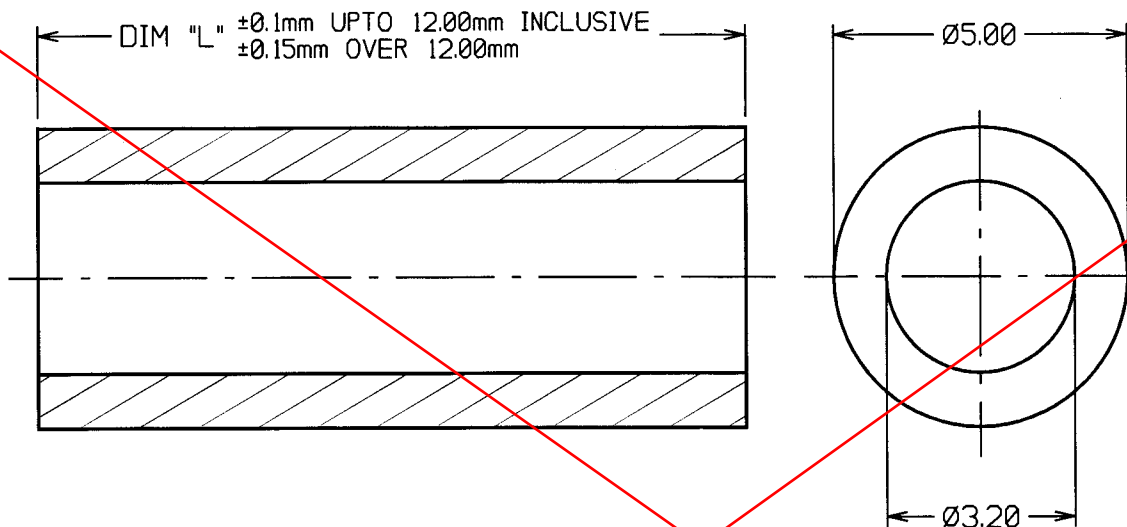


CUSTOMER INFORMATION SHEET

**OBSOLETE**

PART NUMBER	DIM "L"	PART NUMBER	DIM "L"
R2303-14	3.00	R2316-14	16.00
R2304-14	4.00	R2318-14	18.00
R2305-14	5.00	R2320-14	20.00
R2306-14	6.00	R2322-14	22.00
R2307-14	7.00	R2324-14	24.00
R2308-14	8.00	R2326-14	26.00
R2310-14	10.00		
R2312-14	12.00		
R2314-14	14.00		

MATERIAL = ALUMINIUM

FINISH = ANODISED

1	06.01.94	
ISS.	DATE	C/N
APPROVED: <i>[Signature]</i>		
CHECKED: <i>[Signature]</i>		
DRAWN: PDC		
CUSTOMER REF.		
ASSEMBLY DRG:		

HARWINHARWIN INC
U.S.A.TEL: (812) 285 0055
FAX: (812) 285 0056HARWIN PLC
U.K.TEL: (01705) 370451
FAX: (01705) 324010HARWIN PTE
SINGAPORETEL: 7794909
FAX: 7793868

TOLERANCES

X. = $\pm 1\text{mm}$
 X.X = $\pm 0.25\text{mm}$
 X.XX = $\pm 0.10\text{mm}$
 X.XXX = $\pm 0.01\text{mm}$
 ANGLES = $\pm 1^\circ$
 UNLESS STATED

MATERIAL: SEE ABOVE

FINISH: SEE ABOVE

S/AREA:

mm²

TITLE:

ALUMINIUM SPACERS

DRAWING NUMBER:

R2303-14 => R2326-14

SHT
2
OF 2