

Customer Information Sheet

DRAWING No.: M80-703XXXX

SHEET 2 OF 2

IF IN DOUBT - ASK

(C)

NOT TO SCALE

THIRD ANGLE PROJECTION

ALL DIMENSIONS IN mm

ORDER CODE:

M80-703XXXX

TOTAL No. OF CONTACTS:
27, 36, 45, 51, 63

FINISH:
05 = GOLD
22 = SELECTIVE GOLD
42 = SELECTIVE GOLD + 100% TIN

SPECIFICATION:

MATERIALS:

MOULDING = POLYAMIDE 46 UL94V-0
CONTACTS = COPPER ALLOY

FINISH (ALL OVER NICKEL):

05 = 0.25 - 0.3µ GOLD
22 = 0.75µ GOLD ON CONTACT AREA,
3.0µ 90/10 TIN/LEAD TAILS
42 = 0.75µ GOLD ON CONTACT AREA,
3.0µ 100% TIN ON TAILS

ELECTRICAL:

CURRENT RATING AT 25°C = 3.0A MAX
CURRENT RATING AT 85°C = 2.2A MAX
VOLTAGE PROOF = 360V AC/DC
CONTACT RESISTANCE (INITIAL) = 20mΩ MAX
CONTACT RESISTANCE (AFTER CONDITIONING) = 25mΩ MAX
INSULATION RESISTANCE (INITIAL) = 1000MΩ MIN
INSULATION RESISTANCE (AFTER CONDITIONING) = 100MΩ MIN

MECHANICAL:

DURABILITY = 500 OPERATIONS

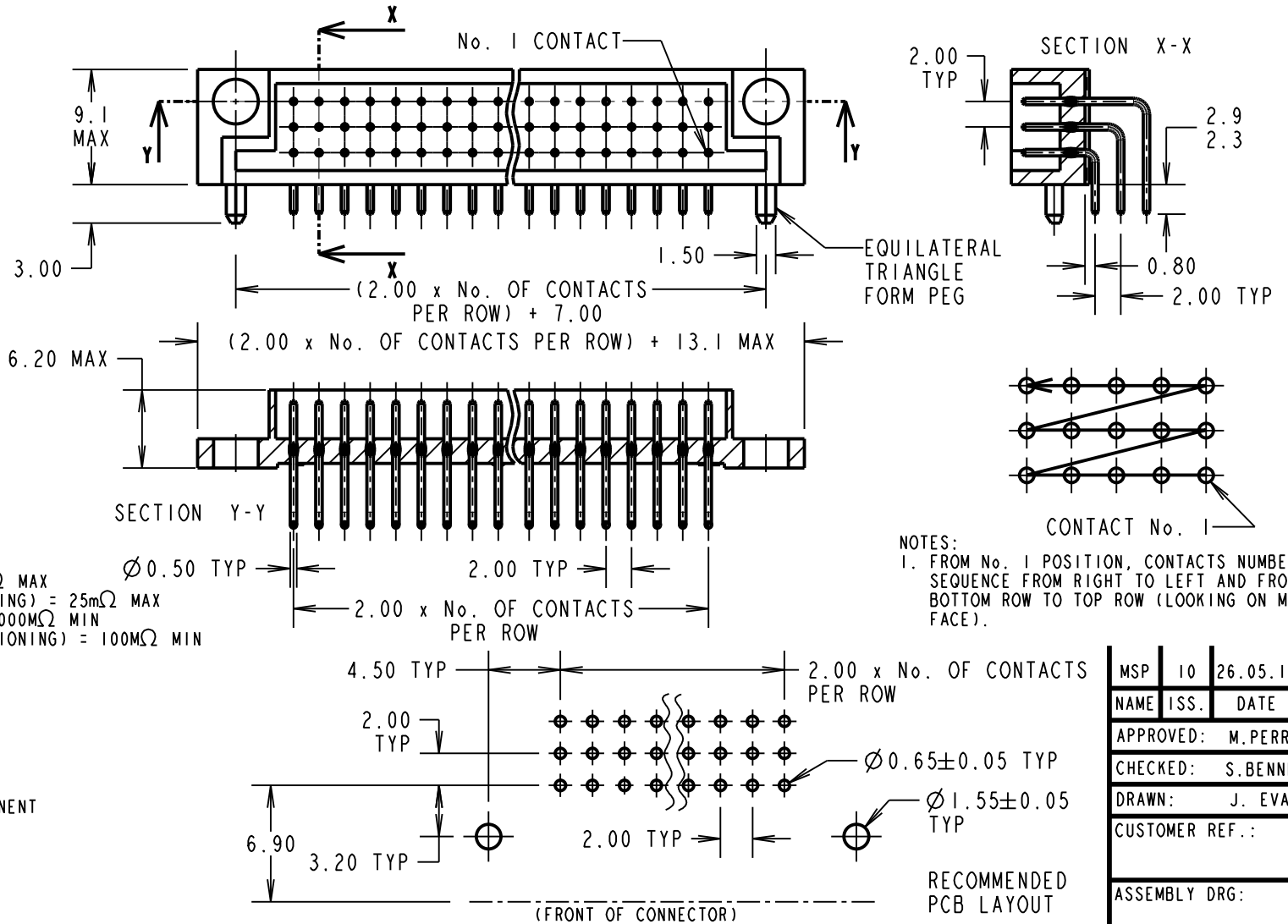
ENVIRONMENTAL:

TEMPERATURE RANGE = -55°C TO +125°C

PACKING:

TRAYS

FOR COMPLETE SPECIFICATION, SEE COMPONENT SPECIFICATION C017XX (LATEST ISSUE)



NOTES:
1. FROM No. 1 POSITION, CONTACTS NUMBERED IN SEQUENCE FROM RIGHT TO LEFT AND FROM BOTTOM ROW TO TOP ROW (LOOKING ON MATING FACE).

MSP	10	26.05.15	12829
NAME	ISS.	DATE	C/NOTE
APPROVED: M.PERREN			
CHECKED: S.BENNETT			
DRAWN: J. EVANS			
CUSTOMER REF.:			
ASSEMBLY DRG:			

HARWIN

www.harwin.com
technical@harwin.com

THIS DRAWING AND ANY INFORMATION OR DESCRIPTIVE MATTER SET OUT HEREON ARE CONFIDENTIAL AND COPYRIGHT PROPERTY OF THE HARWIN GROUP AND MUST NOT BE DISCLOSED, LOANED, COPIED OR USED FOR MANUFACTURING, TENDERING OR FOR ANY OTHER PURPOSE WITHOUT THEIR WRITTEN PERMISSION.

TOLERANCES
X. = ±1mm
X.X = ±0.50mm
X.XX = ±0.10mm
X.XXX = ±0.01mm
ANGLES = ±5°
UNLESS STATED

MATERIAL:
SEE ABOVE
FINISH: SEE ABOVE
S/AREA: mm²

TITLE: DATAMATE J-TEK
3-ROW MALE HORIZ. PC TAIL ASSEMBLY
DRAWING NUMBER: M80-703XXXX
SHT 2 OF 2