

Customer Information Sheet

DRAWING No.: Z2051-00

SHEET 2 OF 2

IF IN DOUBT - ASK

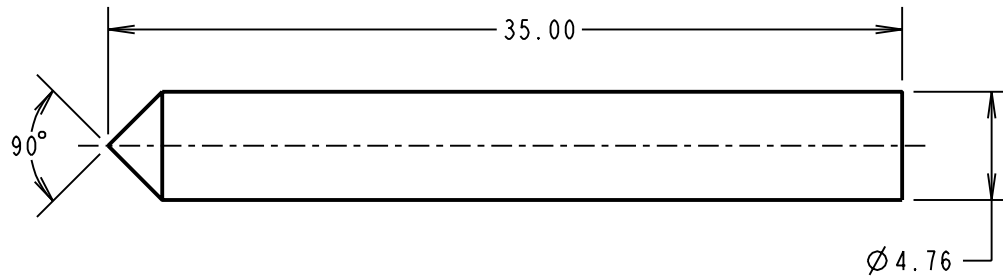
(C)

NOT TO SCALE

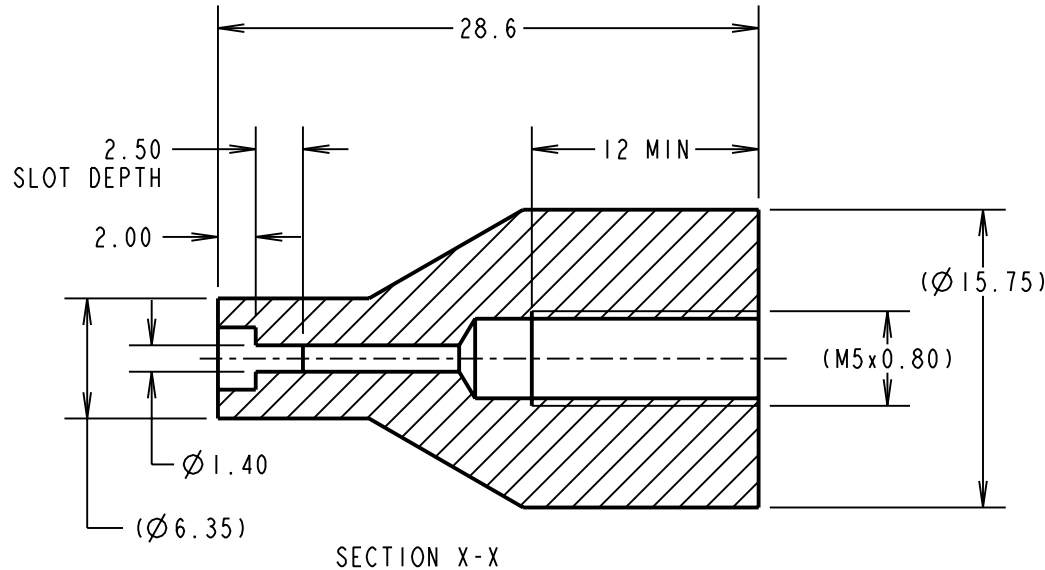
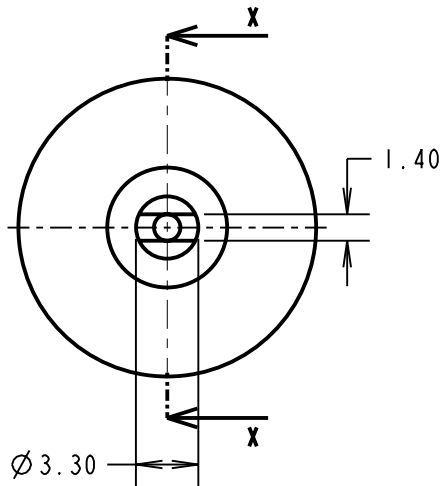
THIRD ANGLE PROJECTION

ALL DIMENSIONS IN mm

Z10002-00
(TOP TOOL)



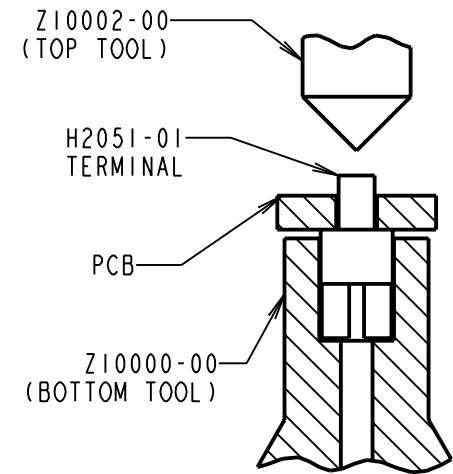
Z10000-00
(BOTTOM TOOL)



SECTION X-X

NOTES:

- TOOL SET IS HARDENED AND TEMPERED.
- PACKED AS A KIT OF TOP AND BOTTOM TOOLS.



OPERATION
DIAGRAM

SB	1	26.04.11	-----
NAME	ISS.	DATE	C/NOTE
APPROVED:		S.BENNETT	
CHECKED:		S.FLOWER	
DRAWN:		S.BENNETT	
CUSTOMER REF.:			
ASSEMBLY DRG:			

HARWIN

HARWIN USA
TEL: 603 893 5376
FAX: 603 893 5396
mis@harwin.com

HARWIN Europe (UK)
TEL: 023 9231 4545
FAX: 023 9231 4590
mis@harwin.co.uk

HARWIN Asia
TEL: +65 6 779 4909
FAX: +65 6 779 3868
mis@harwin.com.sg

THIS DRAWING AND ANY INFORMATION OR DESCRIPTIVE MATTER SET OUT HEREON ARE CONFIDENTIAL AND COPYRIGHT PROPERTY OF THE HARWIN GROUP AND MUST NOT BE DISCLOSED, LOANED, COPIED OR USED FOR MANUFACTURING, TENDERING OR FOR ANY OTHER PURPOSE WITHOUT THEIR WRITTEN PERMISSION.

TOLERANCES
X. = ±1mm
X.X = ±0.25mm
X.XX = ±0.10mm
X.XXX = ±0.01mm
ANGLES = ±5°
UNLESS STATED

MATERIAL:
SILVER STEEL
FINISH: SEE NOTE 1
S/AREA: mm²

TITLE:
TOP AND BOTTOM TOOL SET
DRAWING NUMBER:
Z2051-00
SHT 2 OF 2