

# Customer Information Sheet

DRAWING No.: H3163-XX

SHEET 2 OF 2

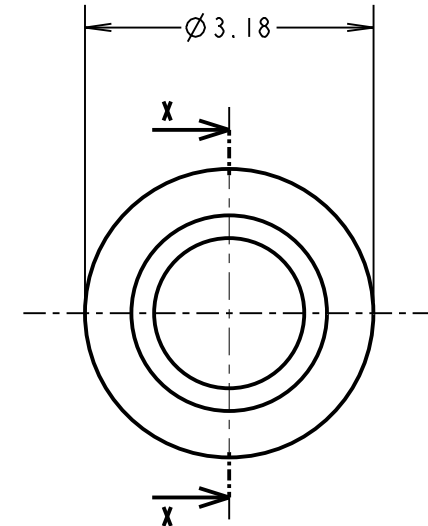
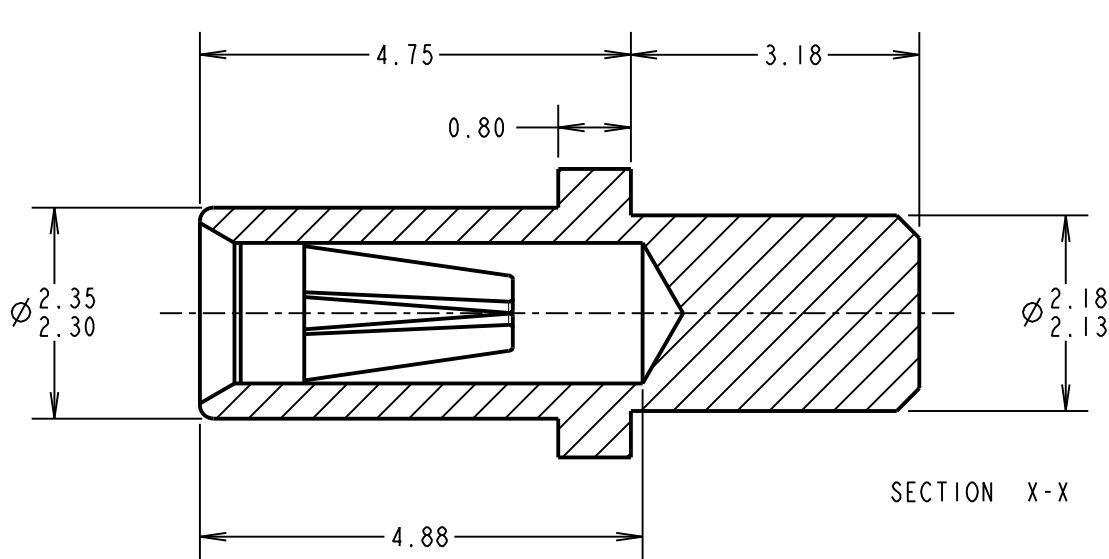
IF IN DOUBT - ASK

©

NOT TO SCALE

THIRD ANGLE PROJECTION

ALL DIMENSIONS IN mm



**SPECIFICATION:**

**MATERIAL:**  
 CONTACT SHELL = BRASS  
 CONTACT CLIP = BERYLLIUM COPPER  
**FINISH:**  
 01 = 4μ TIN SHELL, 0.15μ GOLD CLIP  
 05 = 0.1μ GOLD SHELL, 0.15μ GOLD CLIP  
 46 = 4μ 100% TIN SHELL, 3μ 100% TIN CLIP

**ELECTRICAL:**  
 CURRENT RATING AT 25°C = 10A MAX  
 CURRENT RATING AT 85°C = 7.5A MAX  
 CONTACT RESISTANCE = 25 MILLIOHMS MAX

**MECHANICAL:**  
 INSERTION FORCE (∅1mm GAUGE) = 9N MAX, 3N MIN  
 WITHDRAWAL FORCE (∅1mm GAUGE) = 3N MAX, 1N MIN  
**DURABILITY:**  
 01, 05 = 1000 OPERATIONS  
 46 = 100 OPERATIONS

**ENVIRONMENTAL:**  
 OPERATING TEMPERATURE = -55°C TO +125°C

**NOTES:**

- FOR COMPLETE SPECIFICATION, SEE COMPONENT SPECIFICATION C009XX (LATEST ISSUE).
- MAXIMUM CONTACT DEPTH = 3.55mm.
- RECOMMENDED MOUNTING HOLE SIZE = ∅2.29-2.19mm.
- RECOMMENDED PIN SIZE = ∅1.05-0.90mm.
- MAXIMUM PIN LENGTH = 5.00mm.

ORDER CODE:

**H3163-XX**

FINISH:

- 01 = TIN SHELL, GOLD CLIP
- 05 = GOLD SHELL, GOLD CLIP
- 46 = 100% TIN SHELL & TIN CLIP

|                |      |          |        |
|----------------|------|----------|--------|
| MGP            | 12   | 07.01.14 | 12318  |
| NAME           | ISS. | DATE     | C/NOTE |
| APPROVED: MGP  |      |          |        |
| CHECKED: SF    |      |          |        |
| DRAWN:         |      | I. SANDY |        |
| CUSTOMER REF.: |      |          |        |
| ASSEMBLY DRG:  |      |          |        |

**HARWIN**

www.harwin.com  
 technical@harwin.com

THIS DRAWING AND ANY INFORMATION OR DESCRIPTIVE MATTER SET OUT HEREON ARE CONFIDENTIAL AND COPYRIGHT PROPERTY OF THE HARWIN GROUP AND MUST NOT BE DISCLOSED, LOANED, COPIED OR USED FOR MANUFACTURING, TENDERING OR FOR ANY OTHER PURPOSE WITHOUT THEIR WRITTEN PERMISSION.

**TOLERANCES**  
 X. = ±1mm  
 X.X = ±0.25mm  
 X.XX = ±0.10mm  
 X.XXX = ±0.01mm  
**ANGLES = ±5°**  
 UNLESS STATED

**MATERIAL:**

SEE ABOVE

**FINISH:**

SEE ABOVE

**S/AREA:**

mm<sup>2</sup>

**TITLE:**

∅1.00mm SOCKET ASSEMBLY

**DRAWING NUMBER:**

**H3163-XX**

SHT  
 2 OF 2