

# Customer Information Sheet

DRAWING No.: Z80-291

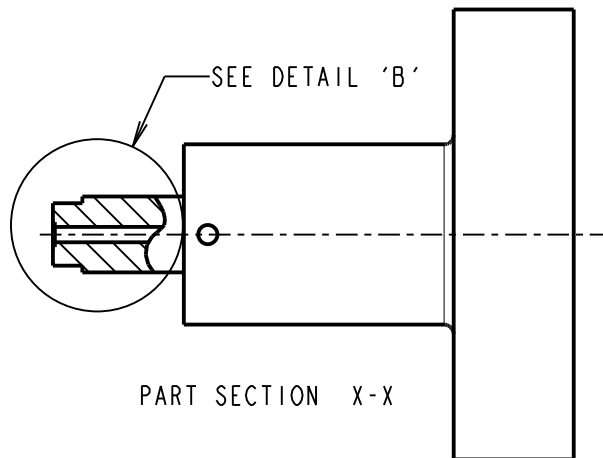
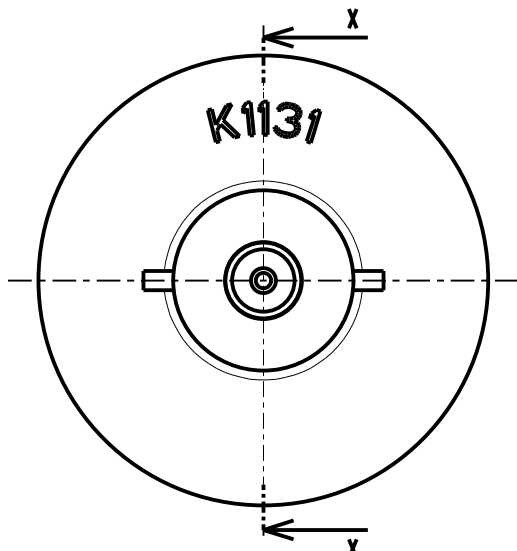
IF IN DOUBT - ASK

©

NOT TO SCALE

THIRD ANGLE PROJECTION

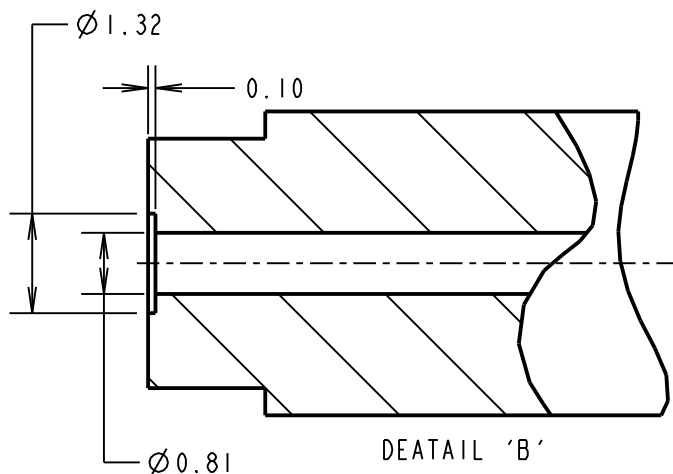
ALL DIMENSIONS IN mm



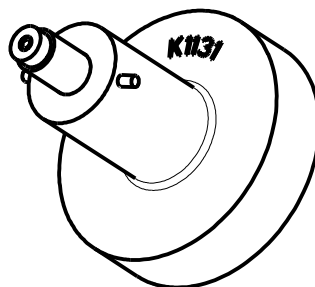
PART SECTION X-X



Z80-291 DATAPLATE



DEATAIL 'B'



NOTES:

1. TO BE USED WITH HAND CRIMP TOOL Z80-292 AND INSTRUCTION SHEET IS-34.
2. SUITABLE FOR USE WITH M80-305, M80-306, M80-307, M80-315, M80-316 & M80-317 DATAMATE CRIMP CONTACTS.

MSP	2	28.10.15	13083
NAME	ISS.	DATE	C/NOTE
APPROVED: M.PERREN			
CHECKED: M.PLESTED			
DRAWN: B.M.KENT			
CUSTOMER REF.:			
ASSEMBLY DRG:			

## HARWIN

www.harwin.com  
technical@harwin.com

THIS DRAWING AND ANY INFORMATION OR DESCRIPTIVE MATTER SET OUT HEREON ARE CONFIDENTIAL AND COPYRIGHT PROPERTY OF THE HARWIN GROUP AND MUST NOT BE DISCLOSED, LOANED, COPIED OR USED FOR MANUFACTURING, TENDERING OR FOR ANY OTHER PURPOSE WITHOUT THEIR WRITTEN PERMISSION.

TOLERANCES

X. = ±1mm  
X.X = ±0.50mm  
X.XX = ±0.10mm  
X.XXX = ±0.01mm  
ANGLES = ±5°  
UNLESS STATED

MATERIAL:

FINISH:

S/AREA:

mm<sup>2</sup>

TITLE:

DATAMATE SPECIAL CONTACT  
CRIMP POSITIONER

DRAWING NUMBER:

Z80-291

SHT  
2  
OF 2