

Customer Information Sheet

DRAWING No.: Z80-292

SHEET 2 OF 2

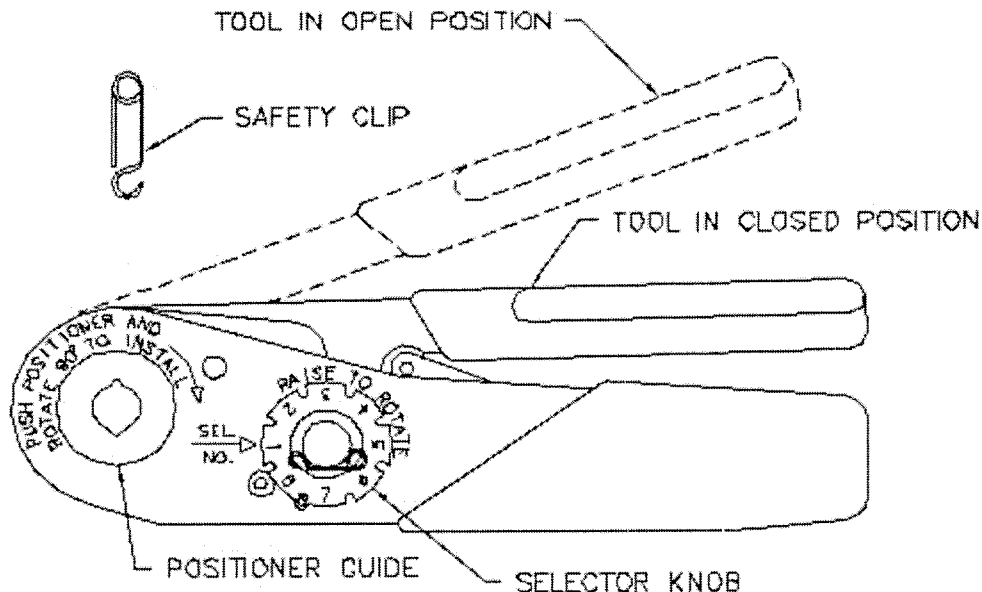
IF IN DOUBT - ASK

©

THIRD ANGLE PROJECTION

NOT TO SCALE

ALL DIMENSIONS IN mm



NOTES:

1. HAND CRIMP TOOL MUST BE USED WITH POSITIONER:

POSITIONER	CONTACT ASSY PART No.
Z80-291	M80-305
	M80-306
	M80-307
	M80-315
	M80-316
	M80-317

BMK	1	24.11.05	---
NAME	ISS.	DATE	C/NOTE
APPROVED: <i>[Signature]</i>			
CHECKED: <i>[Signature]</i>			
DRAWN:		B. M. KENT	
CUSTOMER REF:			
ASSEMBLY DRG:			

HARWIN

THIS INFORMATION AND ANY INFORMATION OR DESCRIPTIVE MATTER SET OUT HEREON ARE CONFIDENTIAL AND COPYRIGHT PROPERTY OF THE HARWIN GROUP AND MUST NOT BE DISCLOSED, LOANED, COPIED OR USED FOR MANUFACTURING, TENDERING OR FOR ANY OTHER PURPOSE WITHOUT THEIR WRITTEN PERMISSION.

TOLERANCES
 X. = ±1mm
 X.X = ±0.25mm
 X.XX = ±0.10mm
 X.XXX = ±0.01mm
ANGLES = ±5°
 UNLESS STATED

MATERIAL:

FINISH:

S/AREA:

TITLE:

DATAMATE SPECIAL CONTACT HAND CRIMP TOOL

DRAWING NUMBER:

Z80-292

SHT

2

OF

2

HARWIN INC

U.S.A.

TEL: (812) 285 0055

FAX: (812) 285 0056

HARWIN PLC

U.K.

TEL: 023 9237 0451

FAX: 023 9231 4590

HARWIN PTE

SINGAPORE

TEL: 65 7794909

FAX: 65 7793868