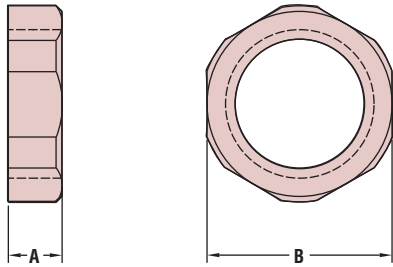




## Heyco® Nylon Locknuts

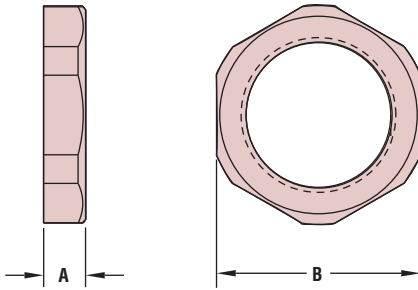
NPT Thread—Straight NPS Threads for use with NPT Threaded Fittings



THREAD TYPE AND SIZE	PART NO. BULK		PART NO. 100 PACK		DESCRIPTION	PART DIMENSIONS			
	Black	Gray	Black	Gray		A		B	
						Thickness	Wrenching Flats	in.	mm.
1/4 NPT	M9142	M9143	3269	3270	NLN 1/4 NPT	.265	6,7	.748	19,0
3/8 NPT	8461	8462	3271	3272	NLN 3/8 NPT	.265	6,7	1.058	26,9
1/2 NPT	8463	8464	3273	3274	NLN 1/2 NPT	.265	6,7	1.058	26,9
3/4 NPT	8465	8466	3275	3276	NLN 3/4 NPT	.265	6,7	1.295	32,9
1 NPT	8467	8468	3277	3278	NLN 1 NPT	.265	6,7	1.605	40,8
1-1/4 NPT	M9144	M9145	3279*	—	NLN 1-1/4 NPT	.281	7,1	1.968	50,0
1-1/2 NPT	M9150	M9151	—	—	NLN 1-1/2 NPT	.320	8,1	2.735	69,5
2 NPT	M9156	M9157	—	—	NLN 2 NPT	.375	9,5	2.835	72,0

Standard colors black or gray.  
\*PN 3279 is a 50 Pack.

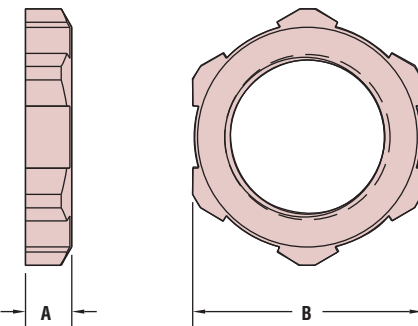
### PG Thread



THREAD TYPE AND SIZE	PART NO.		DESCRIPTION	PART DIMENSIONS			
	Black	Gray		A		B	
				Thickness	Wrenching Flats	in.	mm.
PG 7	3165	3166	NLN PG 7	.218	5,5	.750	19,1
PG 9	3167	3168	NLN PG 9	.218	5,5	.859	21,8
PG 11	3169	3170	NLN PG 11	.218	5,5	.937	23,8
PG 13.5	3171	3172	NLN PG 13.5	.250	6,4	1.062	27,0
PG 16	3173	3174	NLN PG 16	.250	6,4	1.171	29,7
PG 21	3175	3176	NLN PG 21	.281	7,1	1.406	35,7
PG 29	3177	3178	NLN PG 29	.281	7,1	1.812	46,0
PG 36	M9146	M9147	NLN PG 36	.281	7,1	2.244	56,9
PG 42	M9152	M9153	NLN PG 42	.320	8,1	2.750	69,9
PG 48	M9158	M9159	NLN PG 48	.375	9,5	2.835	72,0

Standard colors black or gray.

### Metric Thread



THREAD TYPE AND SIZE	PART NO.		DESCRIPTION	PART DIMENSIONS			
	Black	Gray		A		B	
				Thickness	Wrenching Flats	in.	mm.
M12	M9130	M9131	NLN M12	.218	5,5	.750	19,1
M16	M9132	M9133	NLN M16	.218	5,5	.870	22,1
M20	M9134	M9135	NLN M20	.245	6,2	1.062	27,0
M25	M9136	M9137	NLN M25	.281	7,1	1.378	35,0
M32	M9138	M9139	NLN M32	.281	7,1	1.614	41,0
M40	M9140	M9141	NLN M40	.281	7,1	1.968	50,0
M50	M9148	M9149	NLN M50	.320	8,1	2.750	69,9
M63	M9154	M9155	NLN M63	.375	9,5	2.850	72,4

Standard colors black or gray.

*Quick Specs*

Material	Nylon 6/6
Flammability Rating	94V-2 Standard—Consult Heyco for VO material
Temperature Range	-22°F (-30°C) to 221°F (105°C)