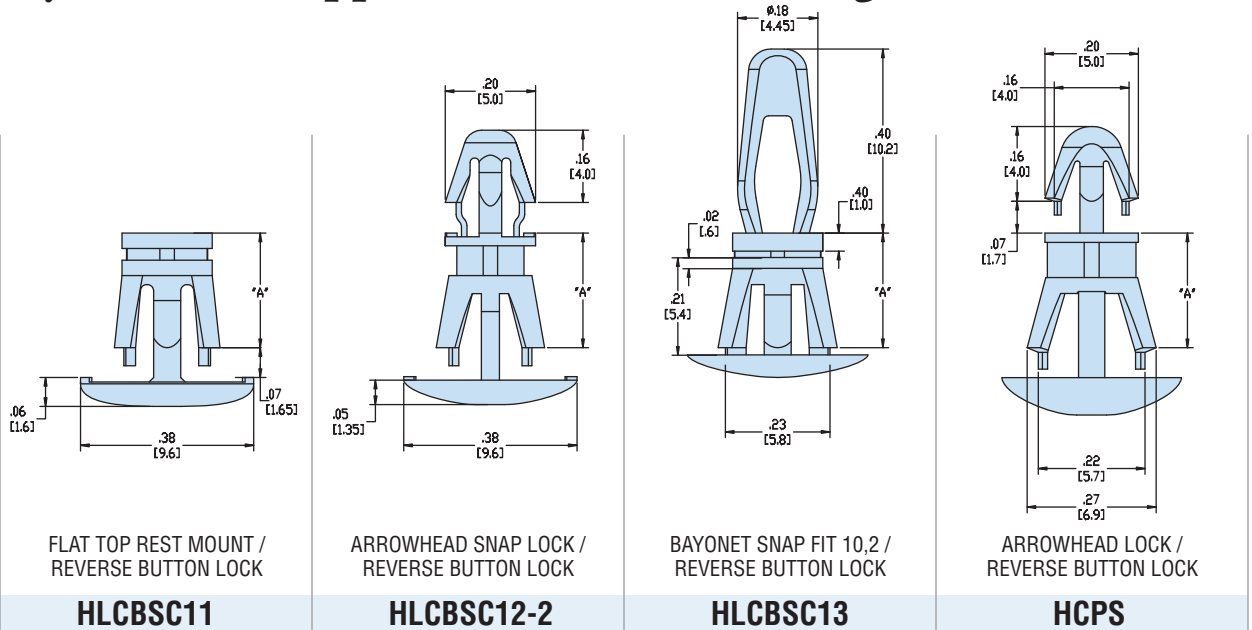




Heyco® Nylon PCB Supports - Reverse Locking



	Maximum Thickness		Mounting Hole Diameter		Maximum Thickness		Mounting Hole Diameter		Maximum Thickness		Mounting Hole Diameter		Maximum Thickness		Mounting Hole Diameter	
	in.	mm.	in.	mm.	in.	mm.	in.	mm.	in.	mm.	in.	mm.	in.	mm.	in.	mm.
PCB	flat top rest mount				.062	1,6	.157	4,0	.062	1,6	.157	4,0	.062	1,6	.157	4,0
Chassis	.062	1,6	.212	5,4	.078	2,0	.212	5,4	.047	1,2	.236	6,0	.062	1,6	.216	5,5
A	PART NO. Natural*		DESCRIPTION		PART NO. Natural		DESCRIPTION		PART NO. Natural		DESCRIPTION		PART NO. Natural		DESCRIPTION	
in.																
mm.																
.187	4,8								10426	HLCBSC13-03						
.250	6,4								10427	HLCBSC13-04						
.312	7,9								10428	HLCBSC13-05	10845	HCPS-05				
.375	9,5	10413	HLCBSC11-06	10420	HLCBSC12-2-06	10429	HLCBSC13-06	10846	HCPS-06							
.488	12,4	10414	HLCBSC11-7.8													
.500	12,7	10415	HLCBSC11-08	10421	HLCBSC12-2-08	10430	HLCBSC13-08	10847	HCPS-08							
.625	15,9	10416	HLCBSC11-10	10422	HLCBSC12-2-10			10848	HCPS-10							
.750	19,1	10417	HLCBSC11-12	10423	HLCBSC12-2-12	10431	HLCBSC13-12	10849	HCPS-12							
.875	22,2	10418	HLCBSC11-14	10424	HLCBSC12-2-14			10850	HCPS-14							
1.000	25,4							10851	HCPS-16							
1.125	28,6							10852	HCPS-18							
1.250	31,8							10853	HCPS-20							
1.375	34,9							10854	HCPS-22							
1.500	38,1							10855	HCPS-24							

Standard color natural. For special order parts in UL 94V-0 natural material, add the suffix "F" to Part No.
*Consult Heyco for HLCBSC11 in V-0 material.

Quick Specs

Material: Nylon 6/6
Flammability Rating: 94V-2
Temperature Range: .4°F (-18°C) to 185°F (85°C)