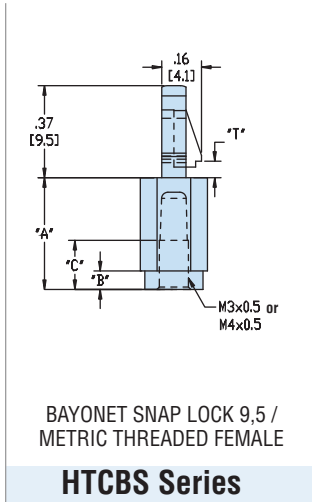
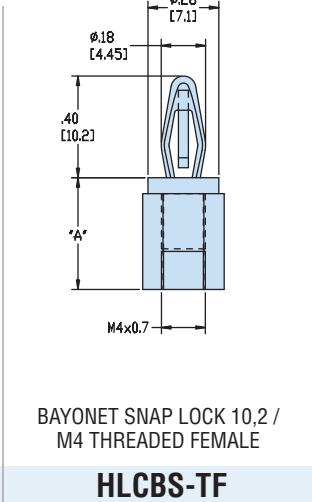
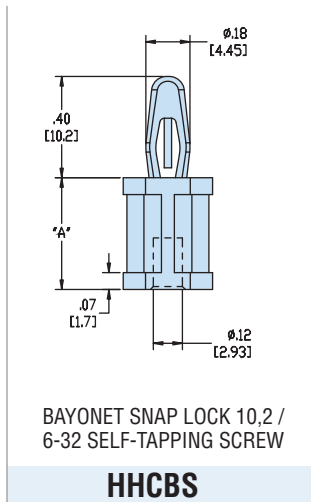




# Heyco® Nylon PCB Supports - Screw and Lock



	Maximum Thickness*		Mounting Hole Diameter		Maximum Thickness		Mounting Hole Diameter	
	in.	mm.	in.	mm.	in.	mm.	in.	mm.
<b>PCB</b>	.062	1,6	.157	4,0	.062	1,6	.157	4,0
<b>Chassis</b>	.312	7,9	6-32		threaded		M4	

	Maximum Thickness		Mounting Hole Diameter	
	in.	mm.	in.	mm.
<b>PCB</b>	varies		.157	4,0
<b>Chassis</b>	screw*			M3, M4

A		PART NO. Natural	DESCRIPTION	PART NO. Natural**	DESCRIPTION
in.	mm.				
.250	6,4	<b>10616</b>	HHCBS-04 †		
.375	9,5	<b>10617</b>	HHCBS-06	<b>10829</b>	HLCBS-TF-M4-06
.500	12,7	<b>10618</b>	HHCBS-08	<b>10830</b>	HLCBS-TF-M4-08
.625	15,9	<b>10619</b>	HHCBS-10	<b>10831</b>	HLCBS-TF-M4-10
.750	19,1	<b>10620</b>	HHCBS-12	<b>10832</b>	HLCBS-TF-M4-12
.875	22,2	<b>10621</b>	HHCBS-14	<b>10833</b>	HLCBS-TF-M4-14
1.000	25,4	<b>10622</b>	HHCBS-16	<b>10834</b>	HLCBS-TF-M4-16
1.125	28,6	<b>10623</b>	HHCBS-18		
1.250	31,8	<b>10624</b>	HHCBS-20		
1.406	35,7	<b>10625</b>	HHCBS-22.5		

A	T	PART NO. Black	DESCRIPTION
mm.	mm.		
<b>HTCBS-M3-6 mm Hex</b>			
8,0	1,6	<b>10659</b>	HTCBS-M3-6-8
10,0	1,6	<b>10660</b>	HTCBS-M3-6-10
15,0	1,6	<b>10661</b>	HTCBS-M3-6-15
20,0	1,7	<b>10662</b>	HTCBS-M3-6-20

A	T	PART NO. Black	DESCRIPTION
mm.	mm.		
<b>HTCBS-M3-8 mm Hex</b>			
8,0	1,6	<b>10664</b>	HTCBS-M3-8-8
23,0	1,6	<b>10665</b>	HTCBS-M3-8-23

A	T	PART NO. Black	DESCRIPTION
mm.	mm.		
<b>HTCBS-M4-8 mm Hex</b>			
10,0	1,6	<b>10667</b>	HTCBS-M4-8-10
12,0	1,7	<b>10668</b>	HTCBS-M4-8-12
15,0	1,6	<b>10669</b>	HTCBS-M4-8-15
30,0	1,6	<b>10670</b>	HTCBS-M4-8-30-16
	1,7	<b>10671</b>	HTCBS-M4-8-30-17
	2,1	<b>10672</b>	HTCBS-M4-8-30-21
35,0	2,1	<b>10673</b>	HTCBS-M4-8-35
70,0	1,6	<b>10674</b>	HTCBS-M4-8-70

Standard color natural. For special order parts in UL 94V-0 natural material, add the suffix “F” to Part No.

\*Refers to thread depth at chassis which is .312" (7,9 mm)  
 \*\*Consult Heyco for HLCBS-TF in V-0 material  
 †Thread depth is .20" (5,2 mm)

Standard color black.  
 \*Shoulder and thread depths vary, consult Heyco.

*Quick Specs*

Material	Nylon 6/6
Flammability Rating	94V-2
Temperature Range	.4°F (-18°C) to 185°F (85°C)